



US00D984289S

(12) **United States Design Patent**
Nishiuchi et al.

(10) **Patent No.:** **US D984,289 S**

(45) **Date of Patent:** **** Apr. 25, 2023**

(54) **SAFETY LASER SCANNER**

(71) Applicant: **OMRON Corporation**, Kyoto (JP)

(72) Inventors: **Satoshi Nishiuchi**, Takatsuki (JP);
Heita Nada, Ritto (JP); **Masami Nishida**, Osaka (JP); **Boris Shteynberg**, San Francisco, CA (US)

(73) Assignee: **OMRON Corporation**, Kyoto (JP)

(**) Term: **15 Years**

(21) Appl. No.: **29/787,497**

(22) Filed: **Jun. 7, 2021**

(30) **Foreign Application Priority Data**

Jan. 26, 2021 (JP) 2021-001622 D

(51) **LOC (14) Cl.** **10-04**

(52) **U.S. Cl.**
USPC **D10/69**

(58) **Field of Classification Search**
USPC D10/69
CPC .. G01C 15/002; G01C 15/004; G01C 15/006;
G01C 15/008; G01C 15/02
See application file for complete search history.

(56) **References Cited**

U.S. PATENT DOCUMENTS

D638,318 S * 5/2011 Riegl D10/69
D642,485 S * 8/2011 Riegl D10/69

RE44,112 E * 4/2013 Riegl D10/66
RE44,751 E * 2/2014 Riegl D10/69
D712,759 S * 9/2014 Forsberg D10/70
D871,412 S * 12/2019 Aprile D14/420

* cited by examiner

Primary Examiner — Antoine Duval Davis

(74) *Attorney, Agent, or Firm* — Capitol City TechLaw

(57) **CLAIM**

The ornamental design for a safety laser scanner, as shown and described.

DESCRIPTION

FIG. 1 is a top, front, and left side perspective view of a safety laser scanner, showing our new design; FIG. 2 is a top, front, and right side perspective view thereof; FIG. 3 is a front view thereof; FIG. 4 is a rear view thereof; FIG. 5 is a left side view thereof; FIG. 6 is a right side view thereof; and, FIG. 7 is a top view thereof.

The dashed broken lines in the figures show portions of the safety laser scanner that form no part of the claimed design. The dot-dashed broken lines in the figures represent boundaries that form no part of the claimed design.

1 Claim, 7 Drawing Sheets

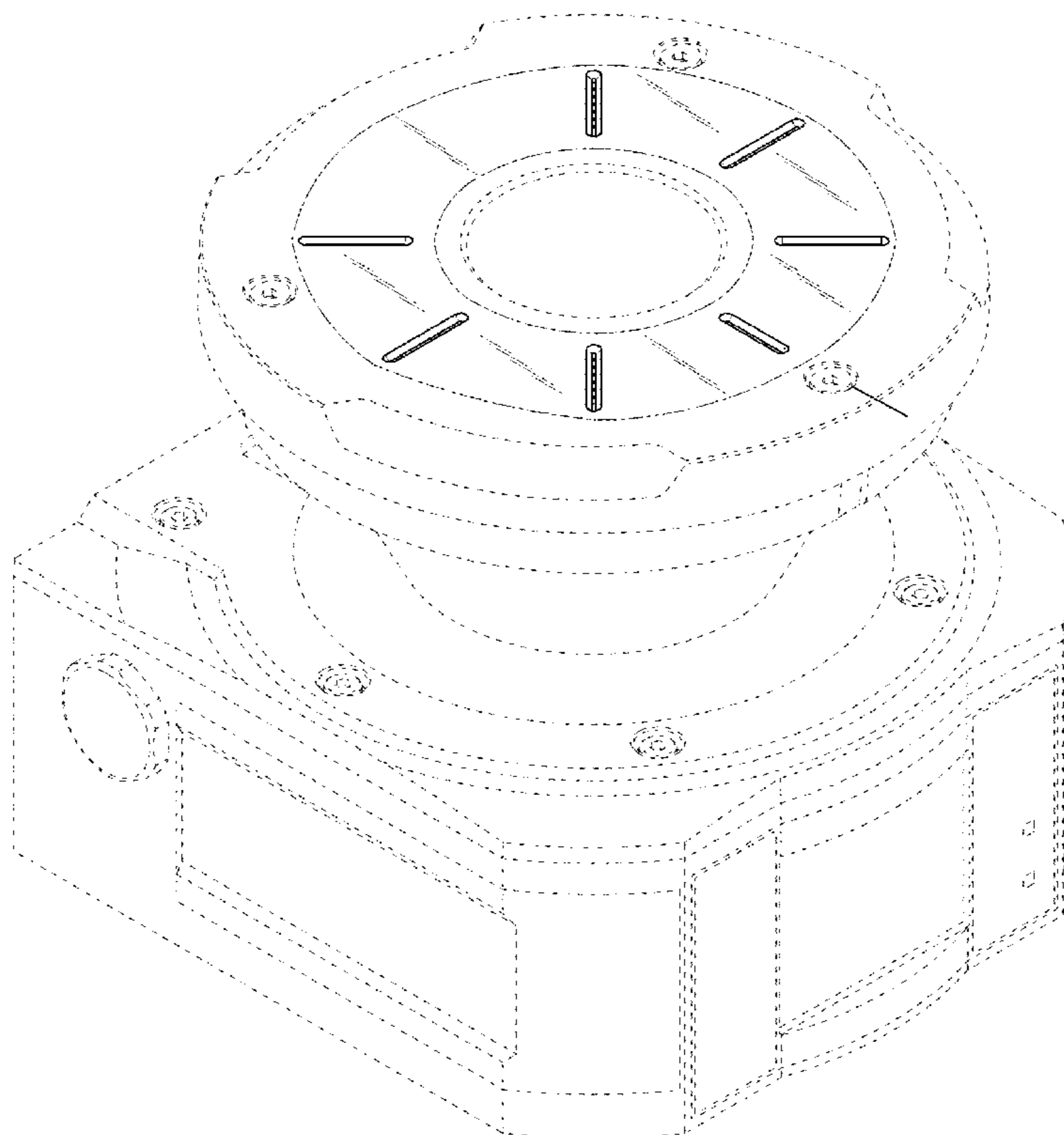


FIG. 1

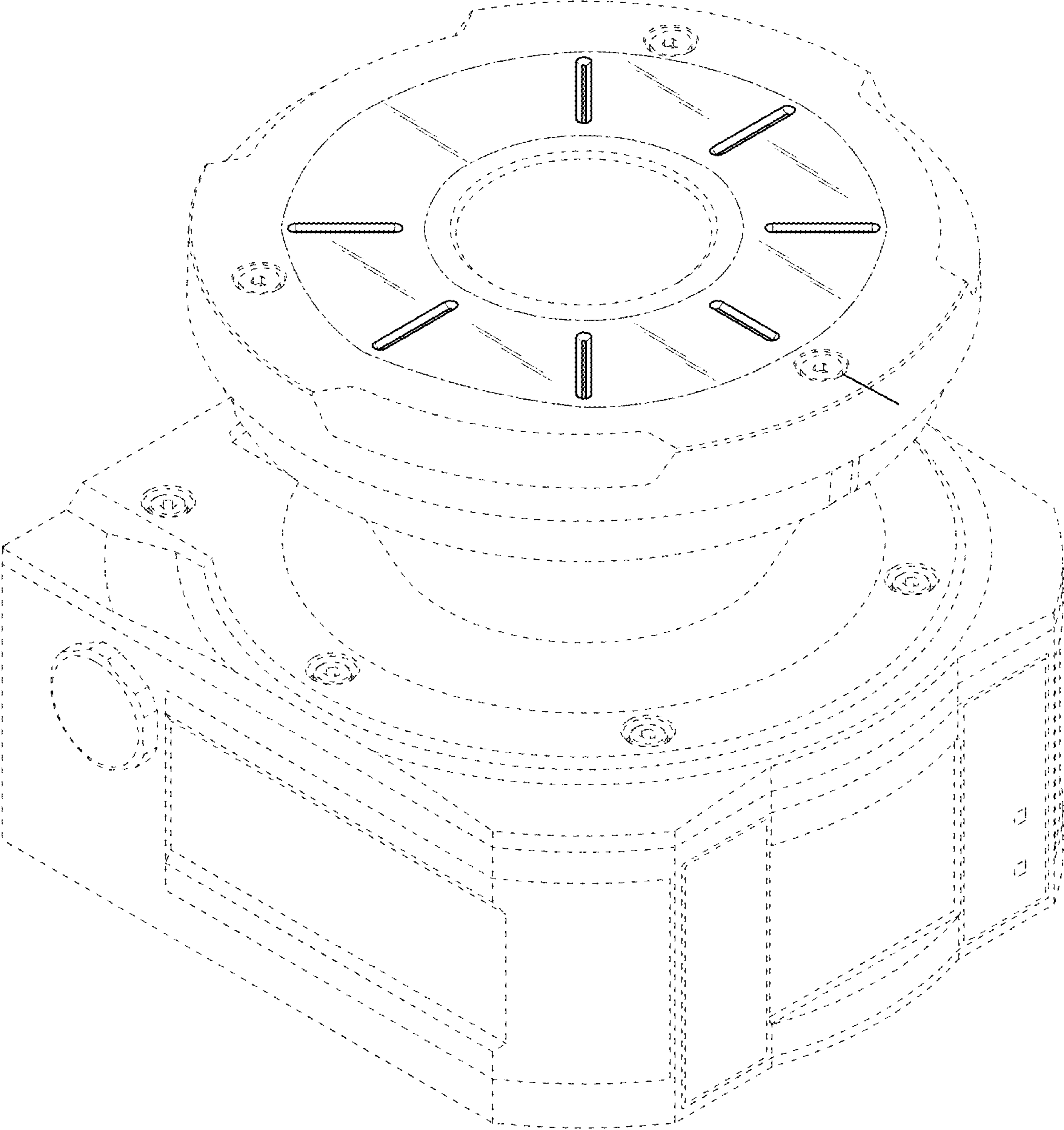


FIG. 2

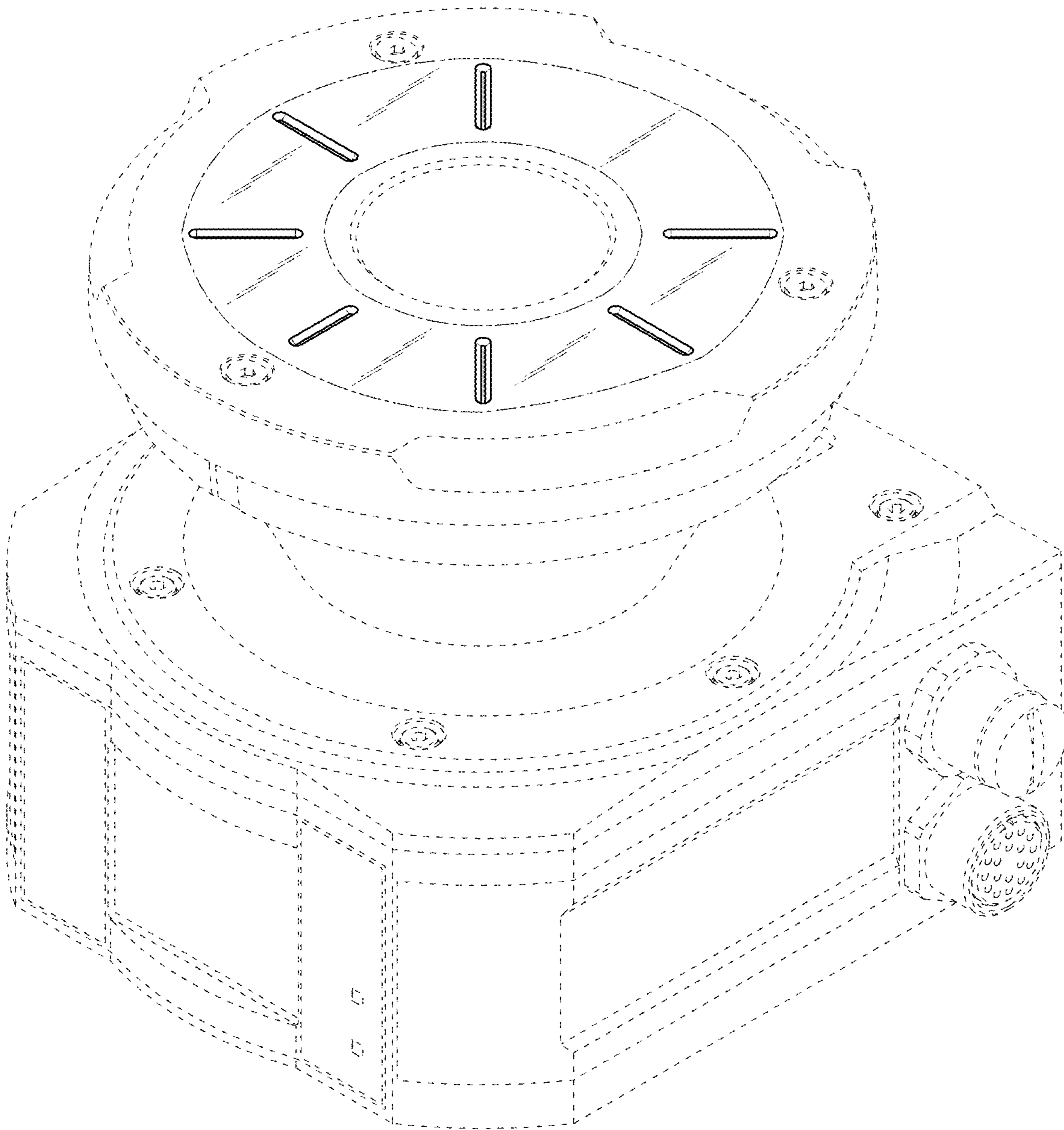


FIG. 3

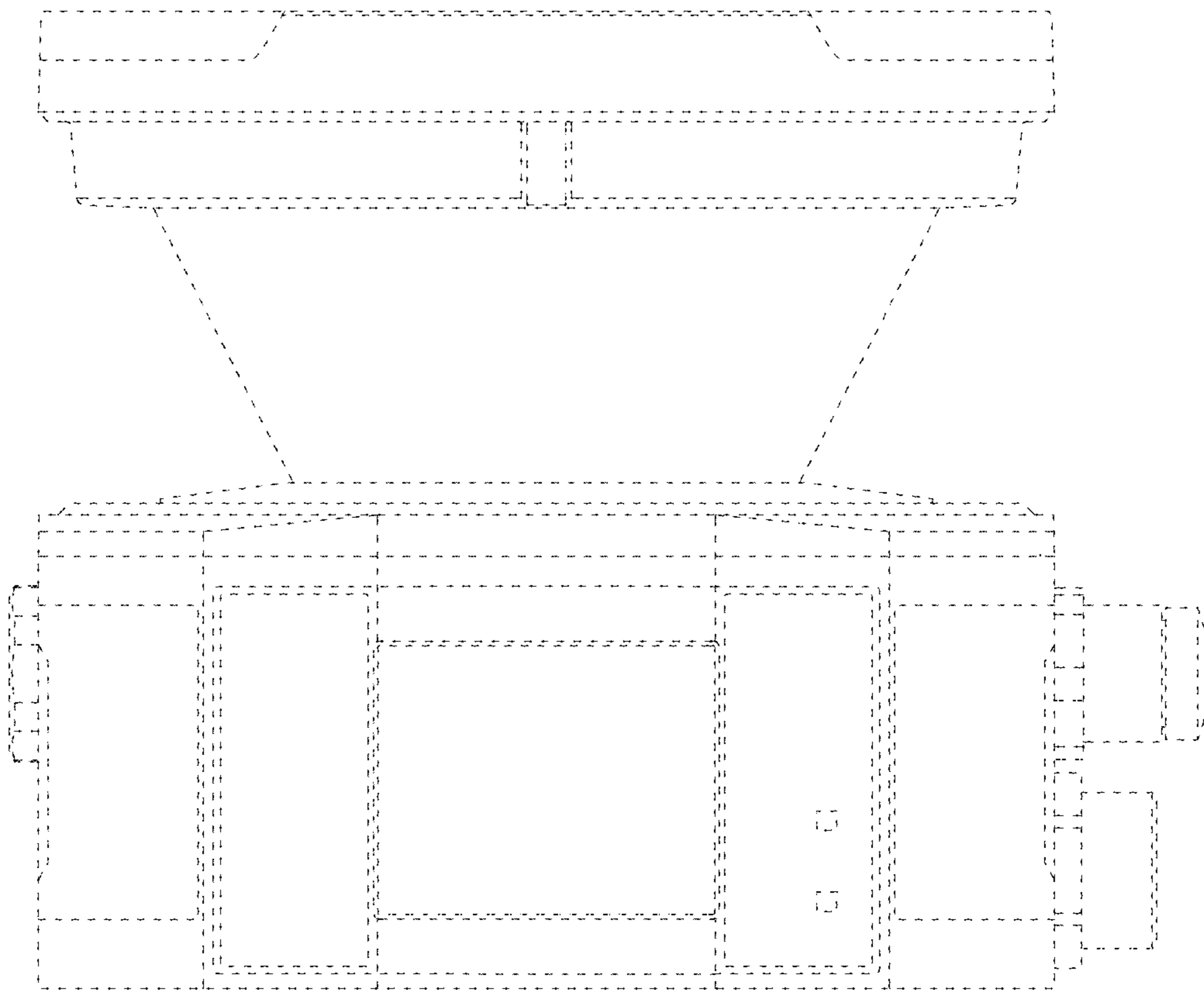


FIG. 4

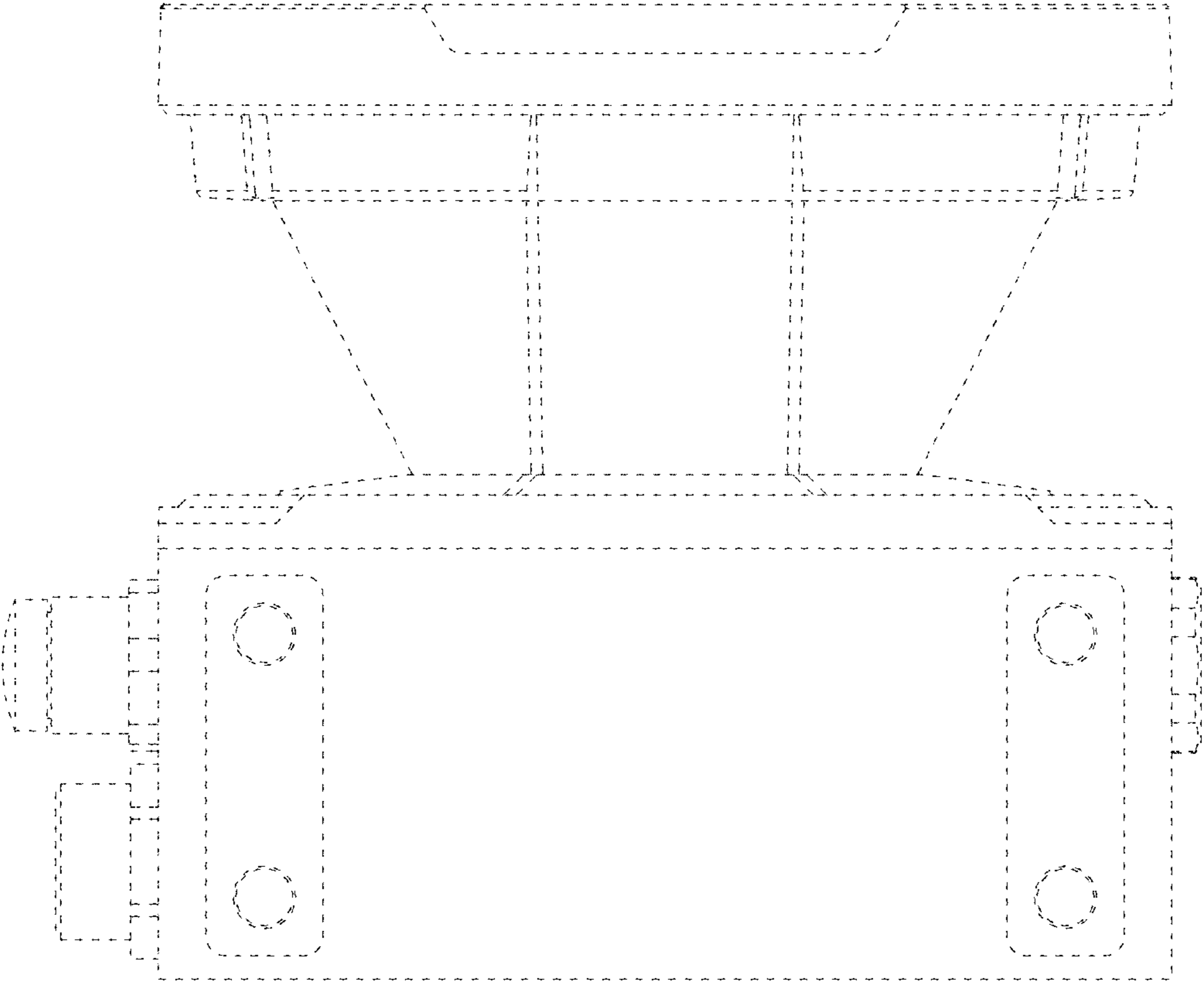


FIG. 5

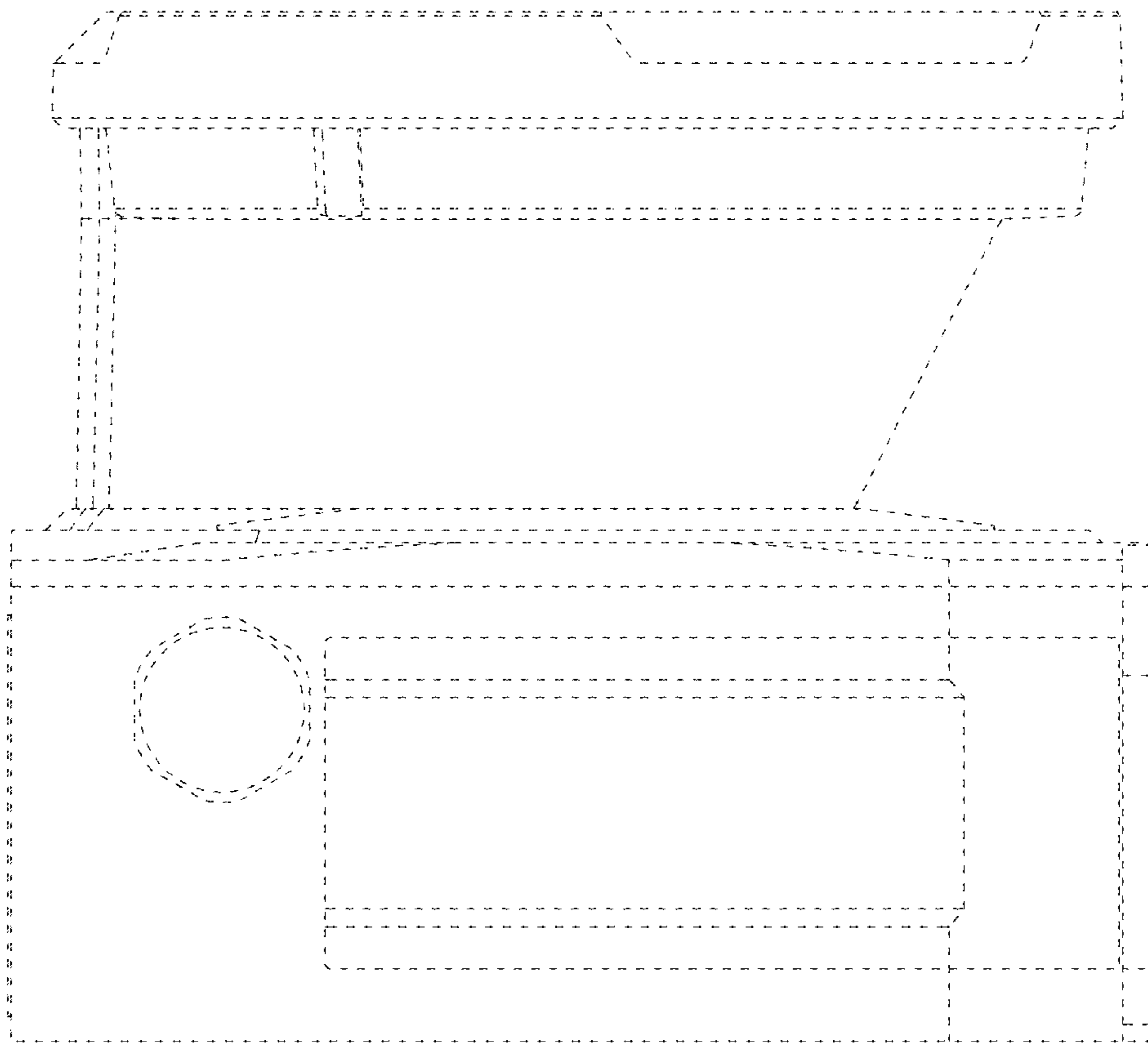


FIG. 6

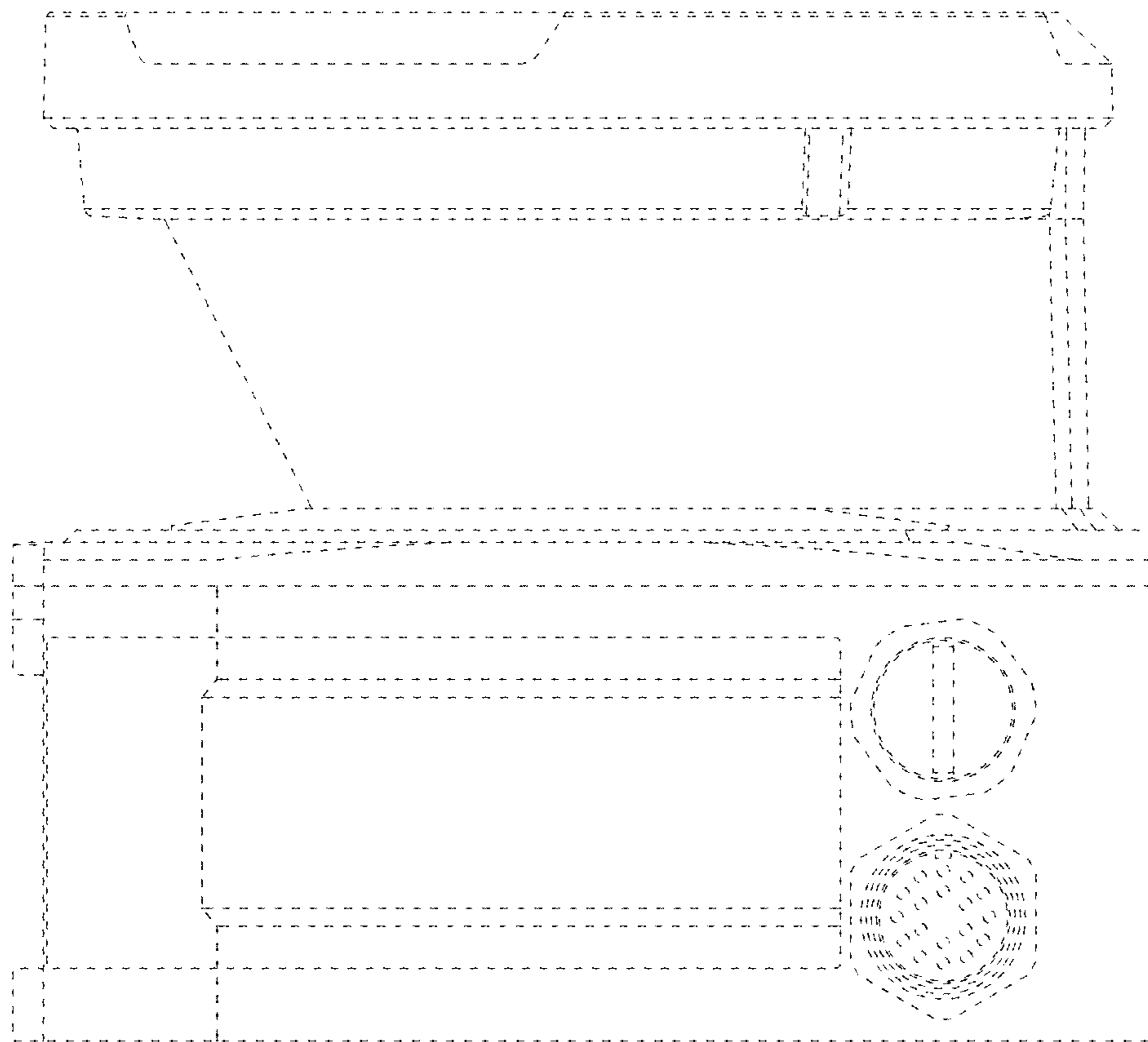


FIG. 7

