



US00D984287S

(12) **United States Design Patent**  
**Woods-Gaither**

(10) **Patent No.:** **US D984,287 S**  
(45) **Date of Patent:** **\*\* Apr. 25, 2023**

(54) **MULTI-SIDED MEASURING SPOON**

FOREIGN PATENT DOCUMENTS

(71) Applicant: **Jacquelyn Berenda Woods-Gaither**,  
Decatur, GA (US)  
(72) Inventor: **Jacquelyn Berenda Woods-Gaither**,  
Decatur, GA (US)

JP 2006292556 A \* 10/2006 ..... G01F 19/002  
JP 2006292556 A \* 10/2006 ..... G01F 19/002  
KR 0132657 Y1 \* 2/1999 ..... G01F 19/002  
KR 0132657 Y1 \* 2/1999 ..... G01F 19/002  
WO WO-2015038453 A1 \* 3/2015 ..... G01F 19/002  
WO WO2015038453 A1 \* 3/2015 ..... G01F 19/002

(\*\*) Term: **15 Years**

OTHER PUBLICATIONS

(21) Appl. No.: **29/748,622**  
(22) Filed: **Aug. 31, 2020**  
(51) **LOC (14) Cl.** ..... **10-04**  
(52) **U.S. Cl.**  
USPC ..... **D10/46.3**  
(58) **Field of Classification Search**  
USPC ..... D10/46.2, 46.3; D24/116; D7/691  
CPC ..... B65D 41/26; G01F 19/00-007; A47G  
2019/2277; A61J 7/0023  
See application file for complete search history.

Iomaa, bakercube, Dec. 1, 2017, Thingiverse, <https://www.thingiverse.com/thing:2676324> (Year: 2017).  
Kikkerland Measuring Jigger Cube, 2005, Amazon, <https://www.amazon.com/Kikkerland-BA08-Measuring-Jigger-Cube/dp/B0013J0BAQ/> (Year: 2005).\*

\* cited by examiner

*Primary Examiner* — Brett Miller  
(74) *Attorney, Agent, or Firm* — Dunlap Bennett & Ludwig, PLLC; Anna L. Kinney

(56) **References Cited**

(57) **CLAIM**

U.S. PATENT DOCUMENTS

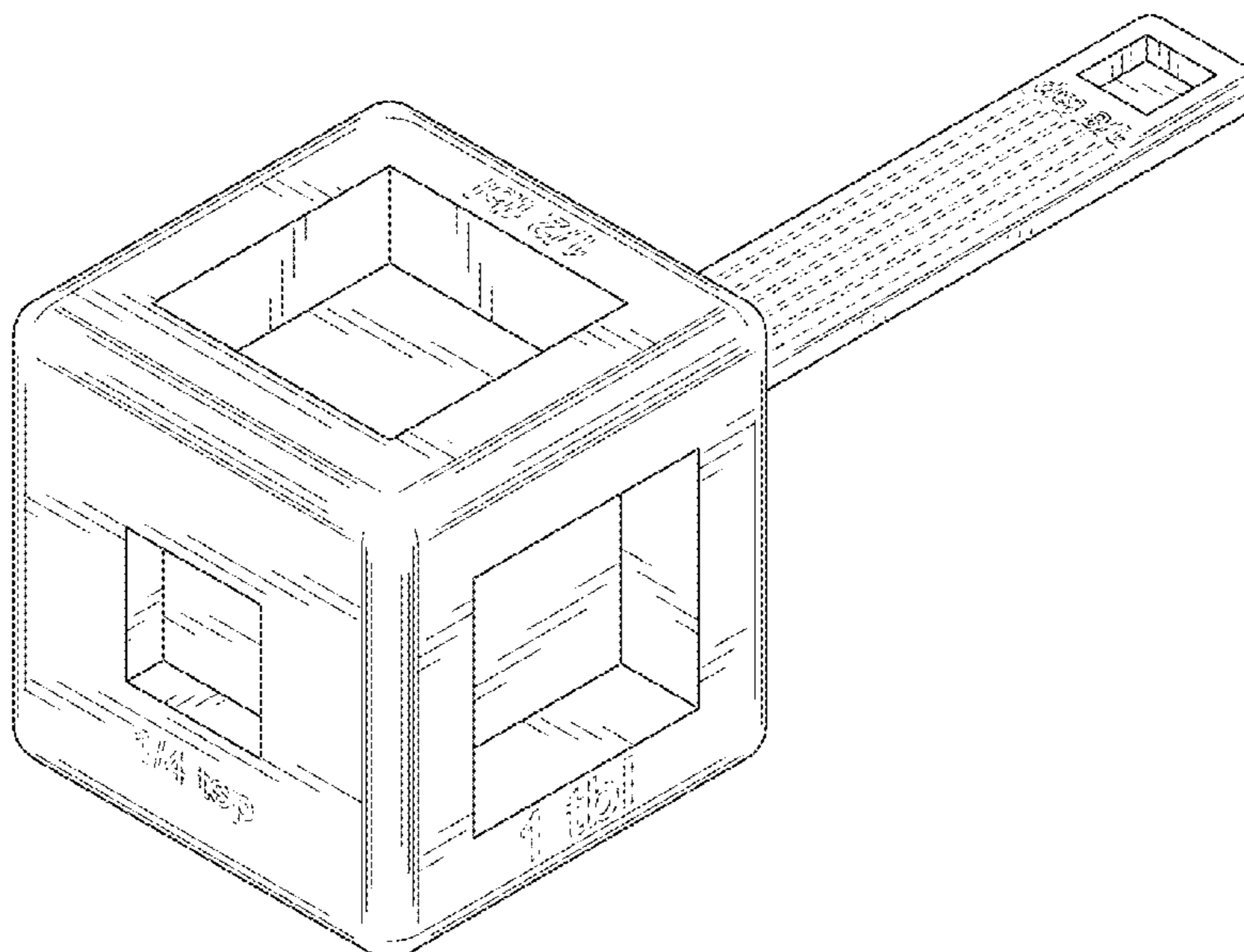
The ornamental design for a multi-sided measuring spoon, as shown and described.

D127,611 S \* 6/1941 Hadfield ..... D10/46.3  
3,808,892 A \* 5/1974 Litton ..... G01F 19/002  
73/427  
D239,907 S \* 5/1976 Olsson ..... D10/46.3  
D306,324 S \* 2/1990 Dykes ..... D7/691  
D361,532 S \* 8/1995 North, III ..... D10/46.3  
5,516,038 A \* 5/1996 Zaccarini ..... G01F 19/00  
206/769  
D375,055 S \* 10/1996 Reed ..... D10/46.2  
D431,478 S \* 10/2000 Fortier ..... D10/46.2  
D648,847 S \* 11/2011 Evans ..... D10/46.3  
D666,926 S \* 9/2012 De Leo ..... D10/46.2  
D738,228 S \* 9/2015 Joshi ..... D10/46.3  
D891,275 S \* 7/2020 Wechsler ..... D10/46.3  
2014/0109669 A1 \* 4/2014 Herold ..... G01F 19/00  
73/426  
2016/0187177 A1 \* 6/2016 Ross ..... G01F 19/00  
73/427

**DESCRIPTION**

FIG. 1 is a top front right perspective view showing a multi-sided measuring spoon showing my new design; FIG. 2 is a bottom front left perspective view thereof; FIG. 3 is a front elevation view thereof; FIG. 4 is a rear elevation view thereof; FIG. 5 is a right elevation view thereof; FIG. 6 is a left elevation view thereof; FIG. 7 is a top plan view thereof; and, FIG. 8 is a bottom plan view thereof. The broken lines shown in the drawings depict environmental structure that forms no part of the claimed invention.

**1 Claim, 4 Drawing Sheets**



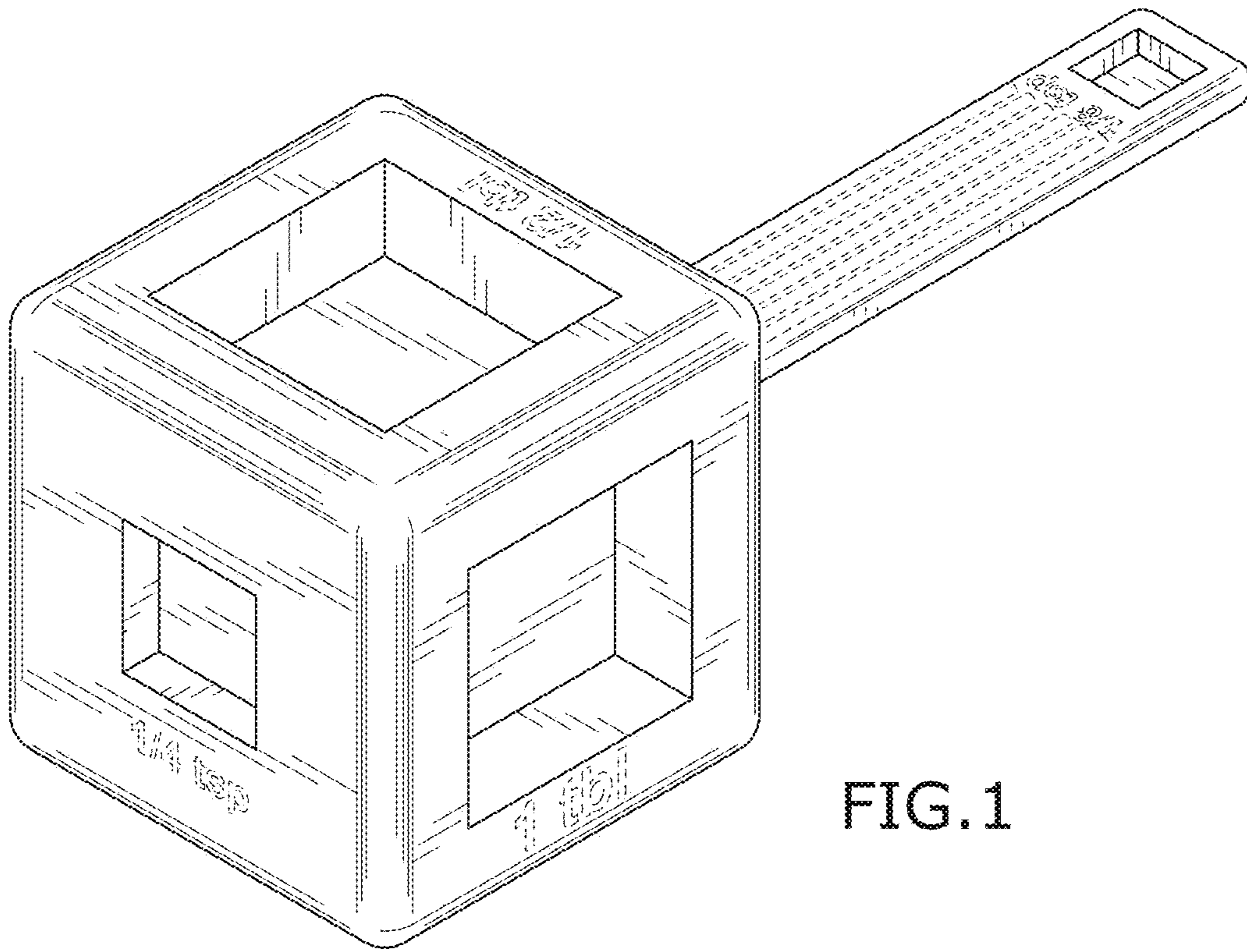


FIG. 1

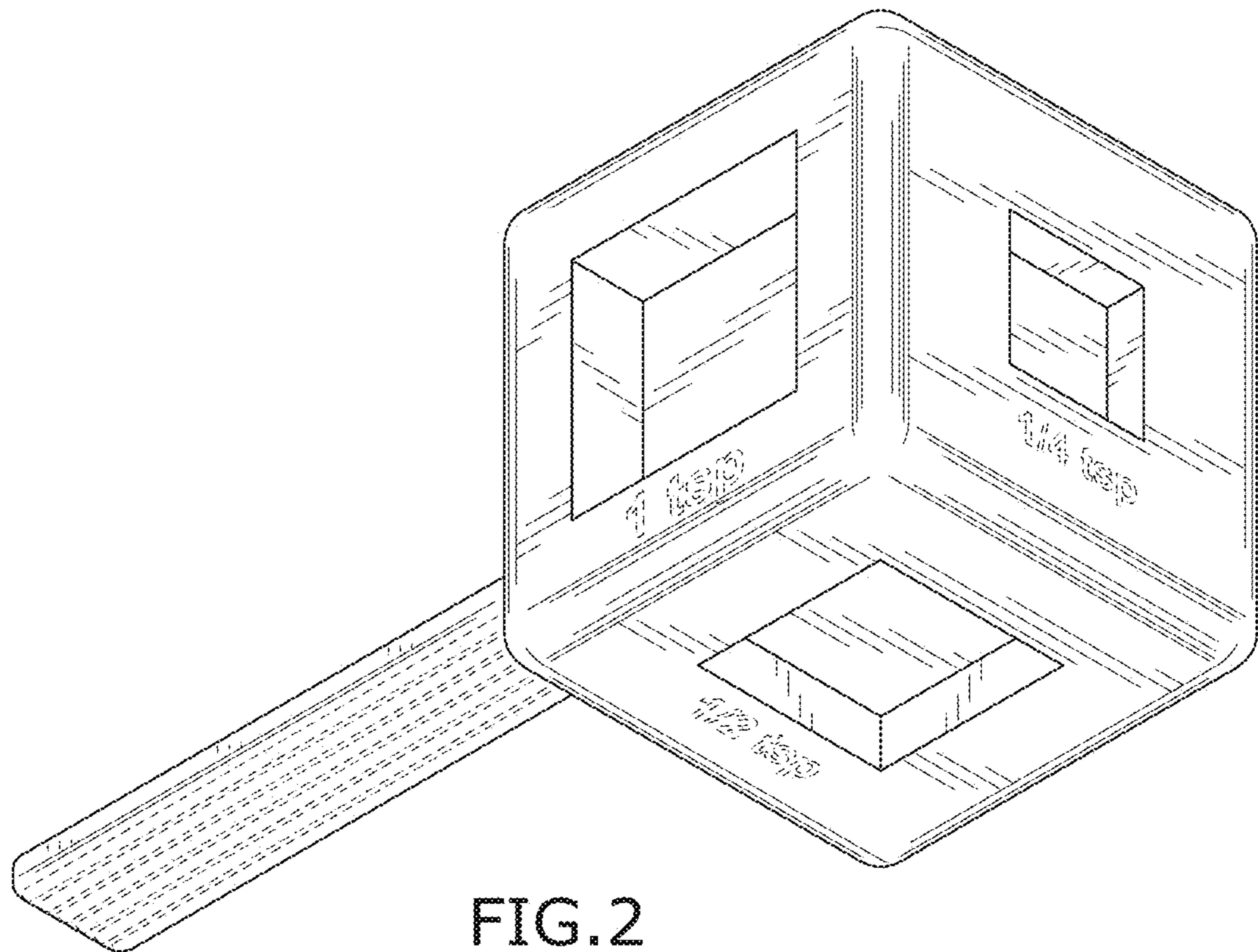


FIG. 2

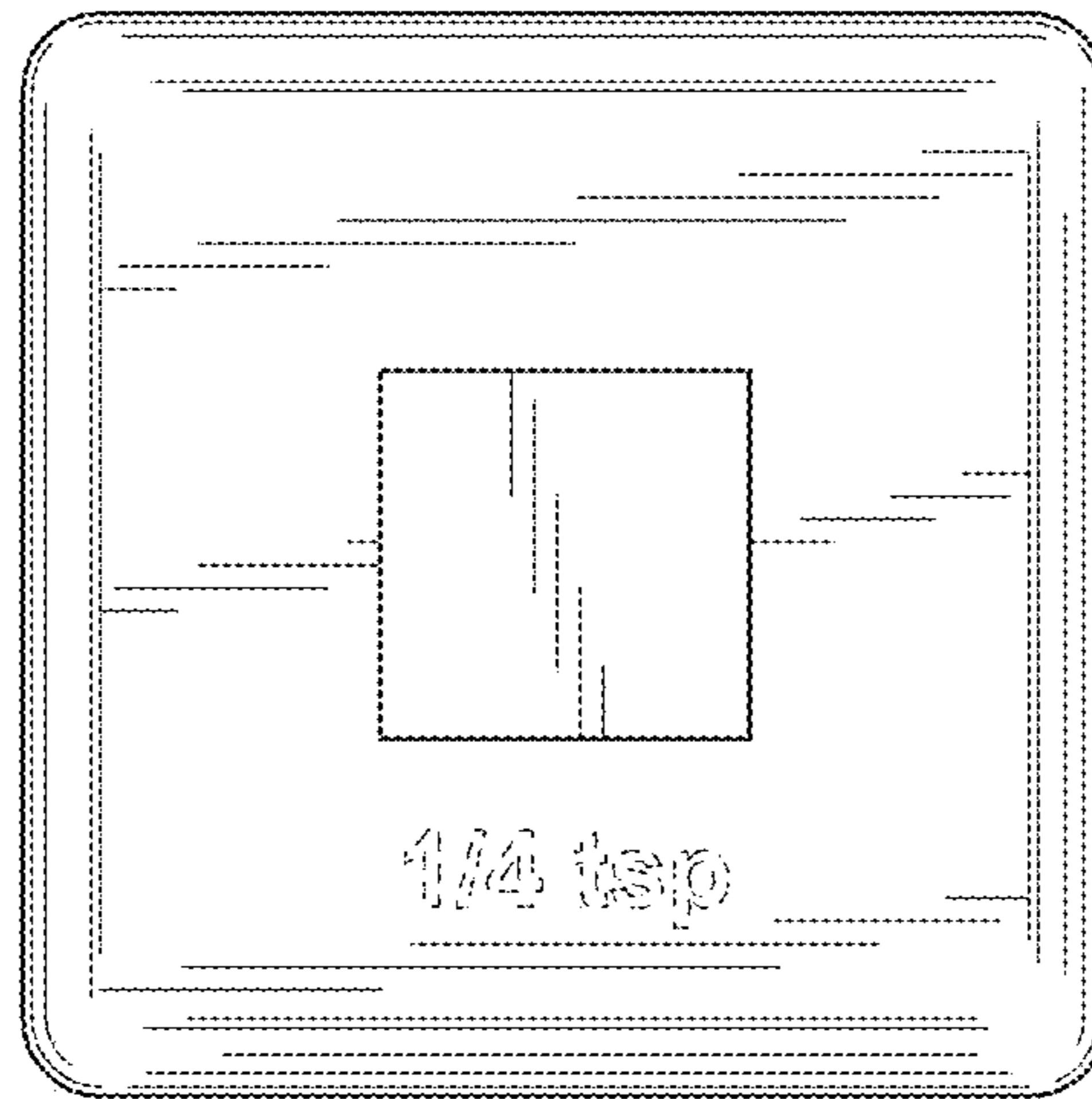


FIG. 3

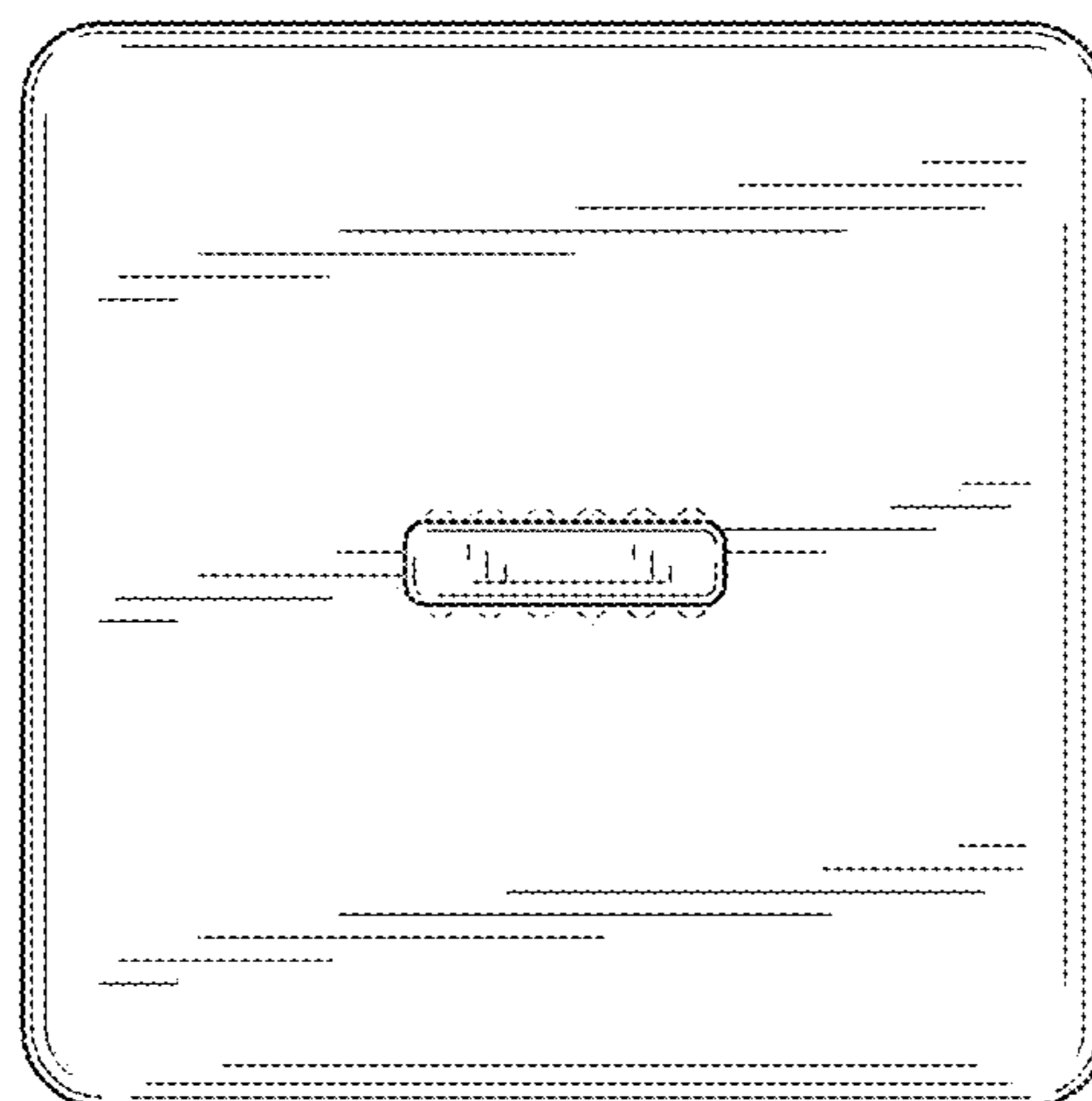


FIG. 4



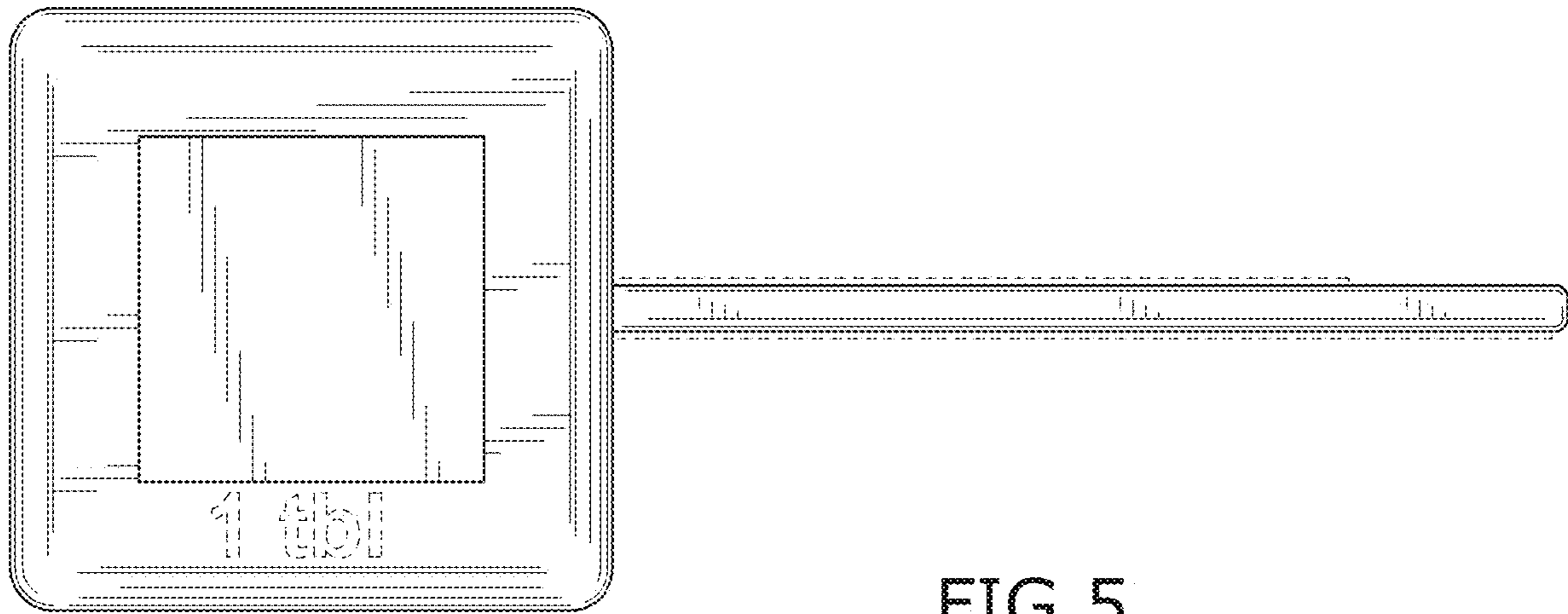


FIG. 5

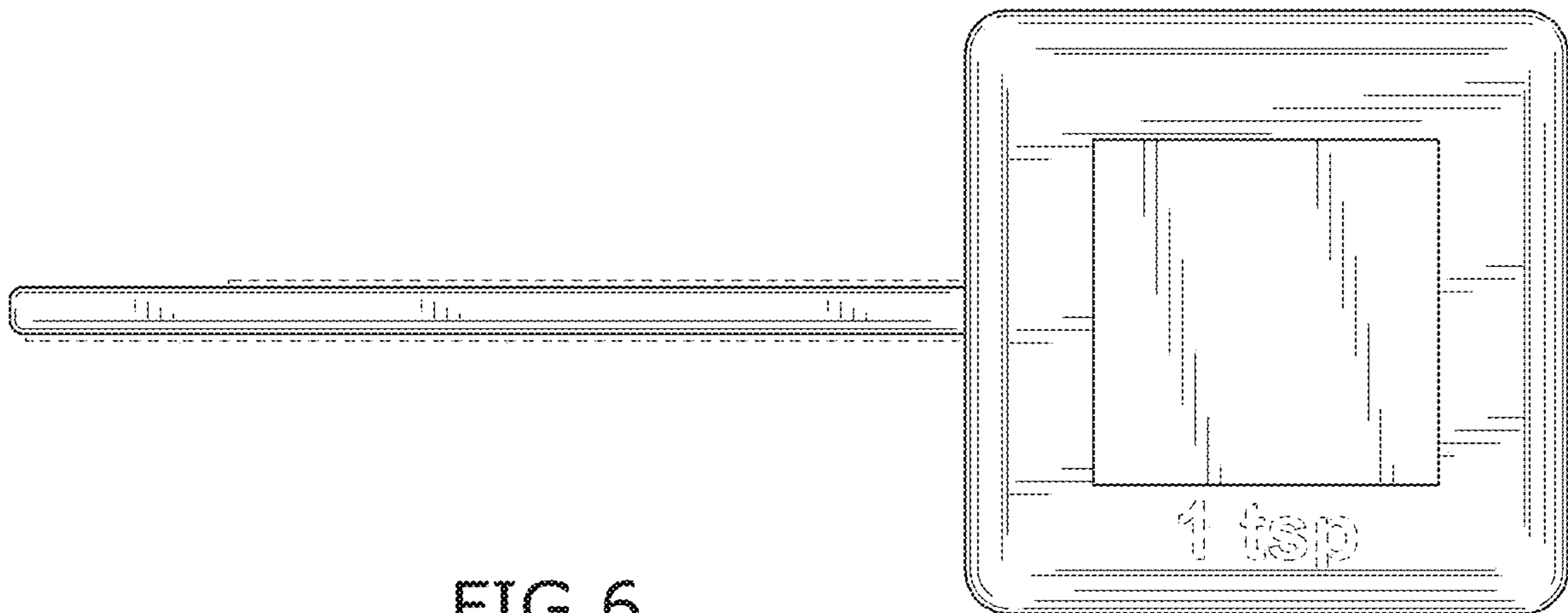


FIG. 6

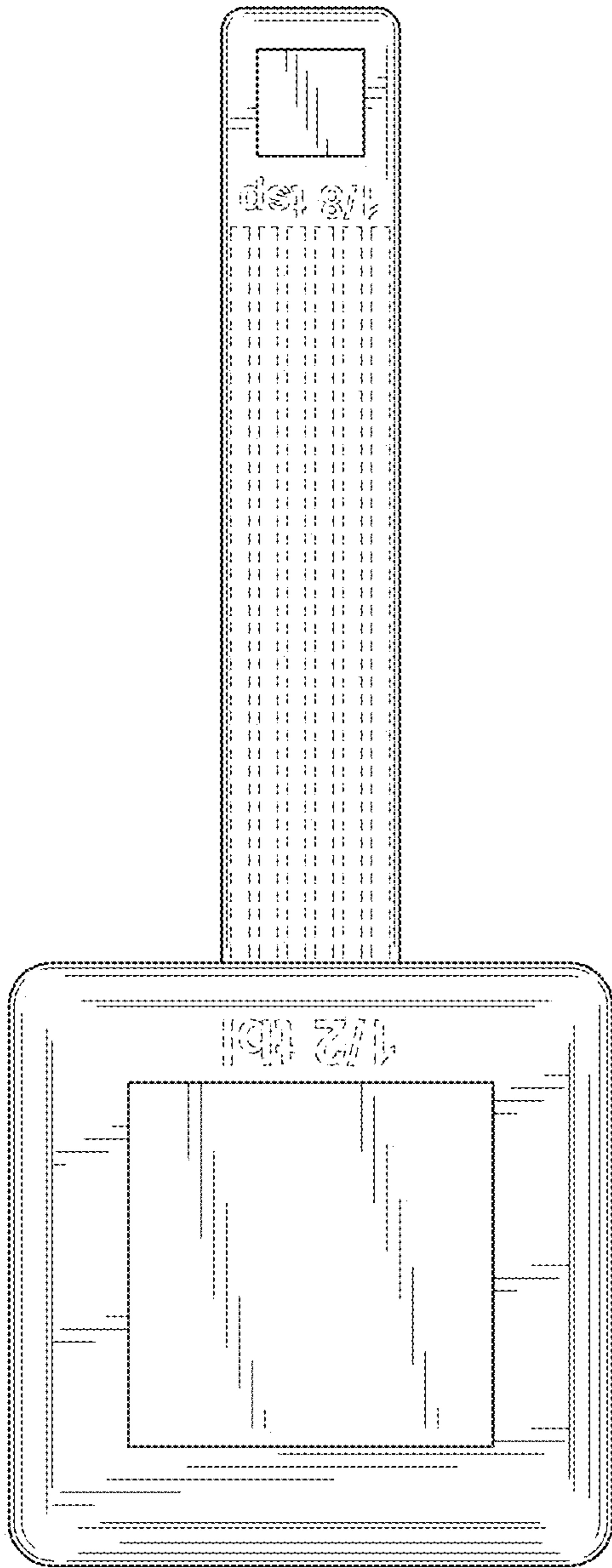


FIG. 7

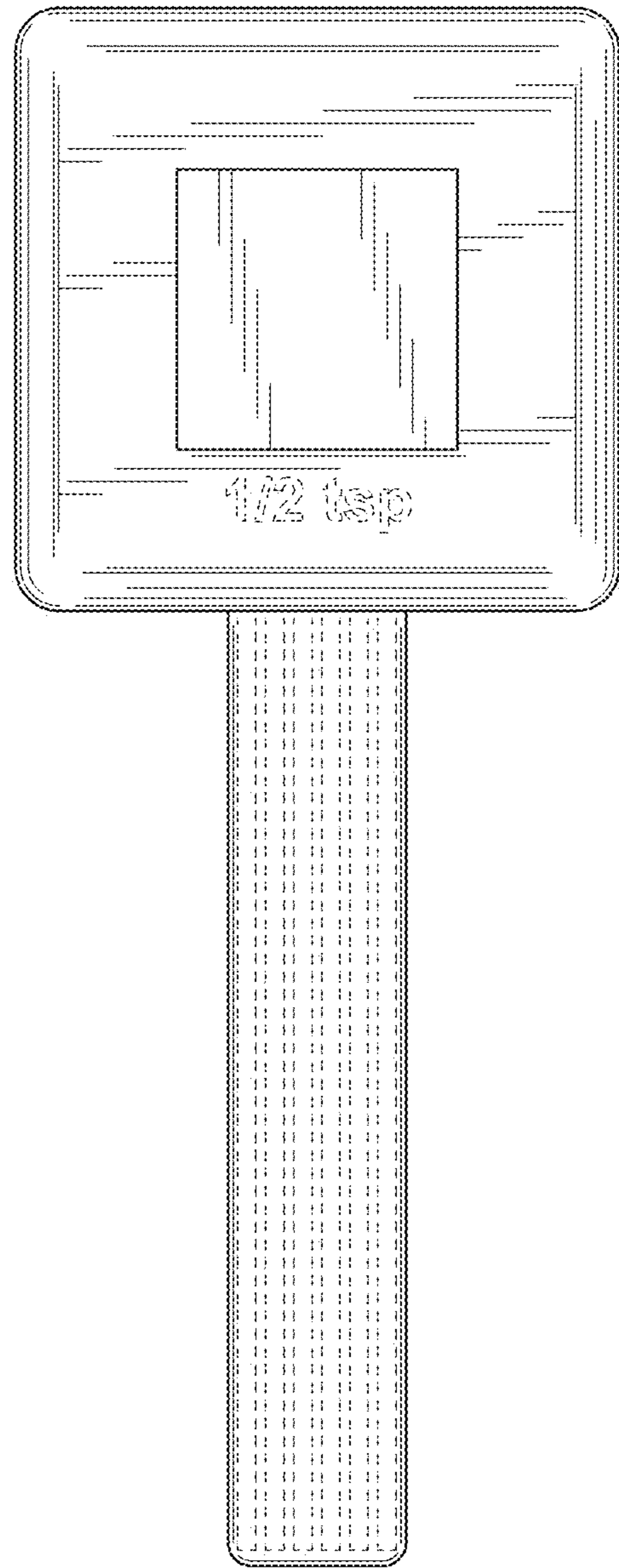


FIG. 8