



US00D984285S

(12) **United States Design Patent**
Lavoie

(10) **Patent No.:** **US D984,285 S**

(45) **Date of Patent:** **** *Apr. 25, 2023**

(54) **WATCH DISPLAY STAND**

A47B 87/002; A47B 3/002; A47B 87/02;
A47B 47/06; A47B 47/05; A47B 47/045

(71) Applicant: **Andre G. Lavoie**, San Francisco, CA
(US)

See application file for complete search history.

(72) Inventor: **Andre G. Lavoie**, San Francisco, CA
(US)

(56) **References Cited**

(*) Notice: This patent is subject to a terminal disclaimer.

U.S. PATENT DOCUMENTS

(**) Term: **15 Years**

D60,440 S 2/1922 Boucher
2,650,785 A 9/1953 Haister
2,861,763 A 11/1958 Tidwell

(Continued)

(21) Appl. No.: **35/510,655**

FOREIGN PATENT DOCUMENTS

(22) Filed: **Apr. 27, 2020**

CH 277509 A 8/1951
CN 203057253 U 7/2013

(Continued)

(80) **Hague Agreement Data**

Int. Filing Date: **Apr. 27, 2020**

Int. Reg. No.: **DM/208965**

Int. Reg. Date: **Apr. 27, 2020**

Int. Reg. Pub. Date: **Oct. 30, 2020**

OTHER PUBLICATIONS

Watch dock, posted at Yankodesign.com, posted on Jun. 15, 2021, site visited Aug. 28, 2021. online, available from internet: <https://www.yankodesign.com/2021/06/15/this-apple-watch-dock-comes-with-a-massive-magnifying-glass-turning-the-watch-screen-into-a-time-telling-crystal-orb/> (Year: 2021).*

(Continued)

(51) **LOC (14) Cl.** **10-01**

(52) **U.S. Cl.**

USPC **D10/15; D16/135**

(58) **Field of Classification Search**

USPC D6/512, 513, 524, 527, 528, 535, 536,
D6/542, 550, 551, 553, 663, 664, 672,
D6/673, 674, 675, 675.1, 675.2, 675.3,
D6/675.4, 680, 682.6, 683, 683.1, 696,
D6/697, 715, 715.1, 715.2, 717, 717.1,
D6/717.2; D13/103, 107, 158, 162, 164,
D13/184; D14/126; D16/135; D20/10,
D20/19, 21; D10/15, 30, 31

CPC ... A47D 1/04; A47D 1/02; A47D 1/10; A47D
1/06; A47D 1/008; A47D 1/0085; A47D
1/103; A47D 1/002; A47C 12/02; B05B
11/3047; A47F 7/0035; A47F 5/01; A47F
1/087; A47F 5/083; A47F 5/02; A47F
5/0018; A47F 5/10; A47F 5/0093; A47F
5/0876; Y10T 29/49826; A47B 13/088;

Primary Examiner — Catherine Ho

(74) *Attorney, Agent, or Firm* — Build IP, LLC; Robert V. Donahoe

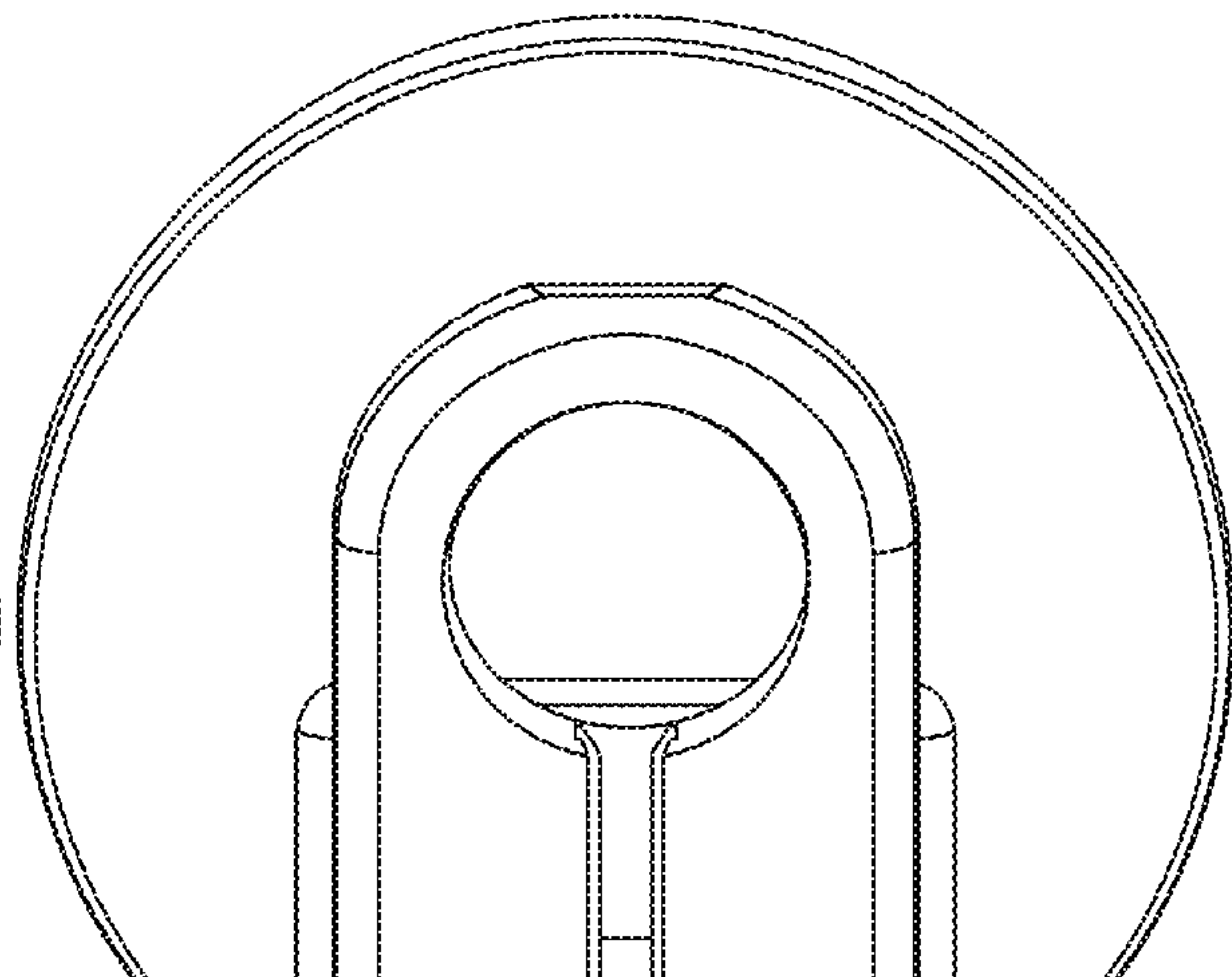
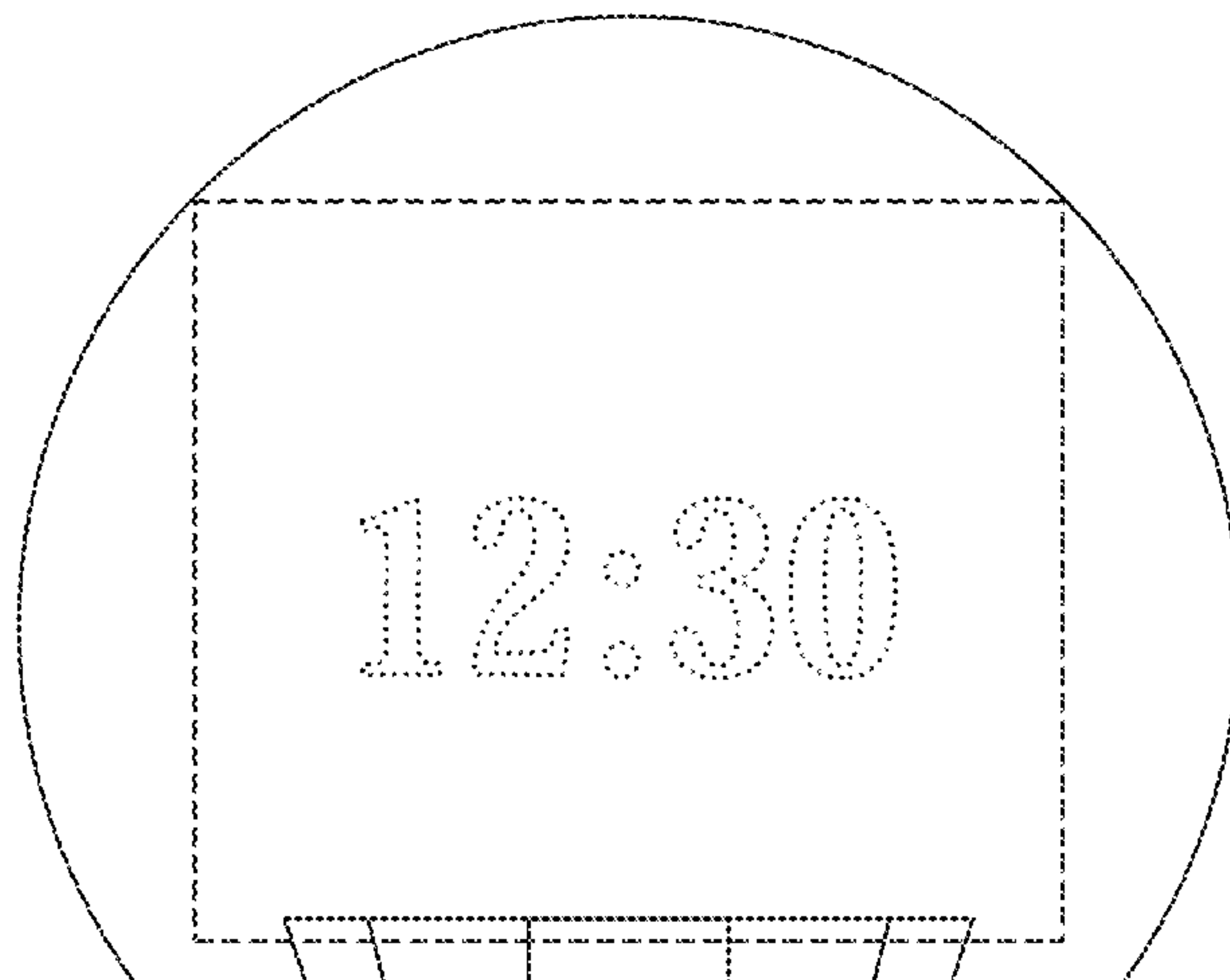
(57) **CLAIM**

The ornamental design for a watch display stand, as shown and described.

DESCRIPTION

- 1.-3. Watch display stand
- FIG. 1.1 Front view
- FIG. 1.2 Back view
- FIG. 1.3 Right view
- FIG. 1.4 Top view
- FIG. 1.5 Bottom view
- FIG. 1.6 Perspective view

(Continued)



The broken line showing of the watch display stand is for the purpose of illustrating environment and forms no part of the claimed design.

1 Claim, 6 Drawing Sheets

(56)

References Cited

U.S. PATENT DOCUMENTS

2,970,426 A 2/1961 Kottman
 D207,288 S 3/1967 Ely
 D224,233 S 7/1972 Fujta
 4,099,851 A 7/1978 Rethore
 D265,811 S 8/1982 Barr
 4,991,935 A 2/1991 Sakurai
 5,130,853 A 7/1992 Sakurai
 5,307,209 A 4/1994 Iaquinto et al.
 D366,215 S 1/1996 George et al.
 5,512,880 A 4/1996 Abrams et al.
 5,601,222 A 2/1997 Haddad
 D384,824 S 10/1997 Johnson
 D390,046 S * 2/1998 Rheinisch D2/892
 D398,245 S 9/1998 Knutson et al.
 D401,061 S 11/1998 Au
 D449,943 S * 11/2001 Lanham D6/682
 D468,305 S * 1/2003 Ma D14/253
 D478,740 S * 8/2003 Kirshner A47F 7/022
 D489,412 S * 5/2004 Hsu D19/75
 6,777,805 B2 8/2004 Uemura et al.
 D499,903 S * 12/2004 Zanghi D6/678
 D520,476 S * 5/2006 Hoehn D14/126
 D524,261 S * 7/2006 Lin D14/126
 D524,268 S * 7/2006 Reza D14/126
 D526,239 S 8/2006 Porter
 D526,289 S * 8/2006 Hoehn D14/126
 D529,440 S * 10/2006 Lodato D13/108
 D532,746 S * 11/2006 Meyers D13/108
 D545,319 S * 6/2007 Griffin D14/434
 7,228,963 B1 * 6/2007 Feibelman A47F 7/022
 D568,809 S * 5/2008 Izumo D13/108
 D570,120 S 6/2008 Goodman et al.
 D606,514 S 12/2009 Ludlum et al.
 D607,458 S 1/2010 Hui et al.
 D615,491 S * 5/2010 Emminger D13/108
 D617,312 S 6/2010 Ludlum et al.
 D629,202 S 12/2010 Wai
 D639,272 S 6/2011 Chow
 D645,847 S 9/2011 Chau
 D647,525 S * 10/2011 Seto D14/434
 D674,381 S * 1/2013 Ma D14/253
 D720,564 S * 1/2015 Buller D6/682
 D734,746 S 7/2015 Vogel
 D748,616 S * 2/2016 Noble D14/253
 D752,907 S * 4/2016 Denby D6/682
 D757,014 S 5/2016 Hahn et al.

D771,481 S 11/2016 Alvarez
 D784,194 S 4/2017 Nielsen
 D789,906 S 6/2017 Zhang
 D790,990 S 7/2017 Hopkins
 D797,149 S 9/2017 Beck et al.
 9,793,745 B2 10/2017 Barnard
 D806,081 S 12/2017 Avganim
 D810,478 S * 2/2018 Akana D6/682
 D815,561 S 4/2018 Fulop
 D817,300 S 5/2018 Bristol et al.
 D834,299 S 11/2018 Van Langen
 D835,394 S 12/2018 Rothbucher et al.
 10,178,923 B2 1/2019 Rosenblum et al.
 10,312,717 B2 6/2019 Green
 10,394,297 B1 8/2019 Han
 D866,564 S 11/2019 Lee et al.
 D887,352 S 6/2020 Cushing et al.
 D904,326 S 12/2020 Zhang et al.
 D904,386 S 12/2020 Luo
 D907,017 S 1/2021 Cran
 D924,221 S 7/2021 Hong
 D936,661 S 11/2021 Lee
 D942,763 S 1/2022 Pena et al.
 2011/0170725 A1 7/2011 Liu
 2016/0315496 A1 10/2016 Barnard
 2017/0093200 A1 3/2017 Green
 2018/0360251 A1 12/2018 Rosenblum
 2019/0005936 A1 1/2019 Smith et al.
 2019/0142199 A1 5/2019 Rosenblum
 2021/0120981 A1 * 4/2021 Lavoie A47F 7/022

FOREIGN PATENT DOCUMENTS

CN 303494187 12/2015
 CN 304794308 8/2018
 CN 210783853 U 6/2020
 CN 210793010 U 6/2020
 DE 102004001196 A1 8/2005
 GB 6066164 7/2019
 JP 2002162571 A 6/2002
 KR 300939348 1/2018

OTHER PUBLICATIONS

U.S. Appl. No. 72/777,239, filed Oct. 2, 2007, Carnevali.
 Elago W2 Charger Stand, available at amazon.com, earliest date available Apr. 26, 2016 [online], site visited Mar. 3, 2022, available from the internet URL: <https://www.amazon.com/elago-Stand-Apple-Watch-Indigo/dp/B01ESS9HPS/> (Year: 2016).
 Elago W4 Apple Watch Stand, available at amazon.com, earliest date available Apr. 4, 2017 [online], site visited Mar. 3, 2022, available from the internet URL: <https://www.amazon.com/elago-Nightstand-Vintage-Design-Pending/dp/B06Y1ZLJG4/> (Year: 2017).
 Ottie Omni Bolt Apple Watch Stand, available at amazon.com, earliest date available Mar. 20, 2017 [online], site visited Mar. 3, 2022, available from the internet URL: <https://www.amazon.com/iOttie-OmniBolt-i-Phone-Docking-Station/dp/B06XRHTJQ/> (Year: 2017).

* cited by examiner

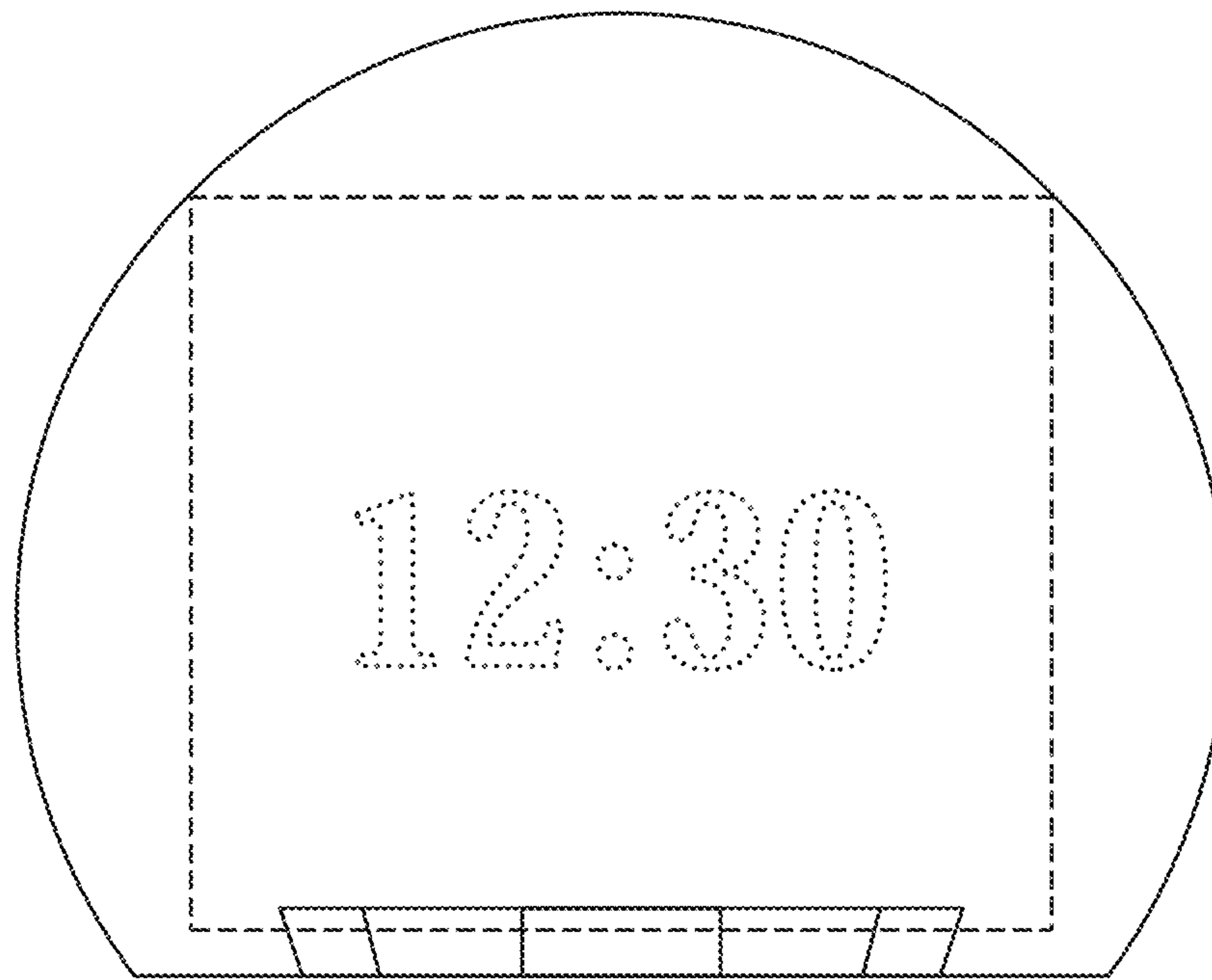


FIG.1.1

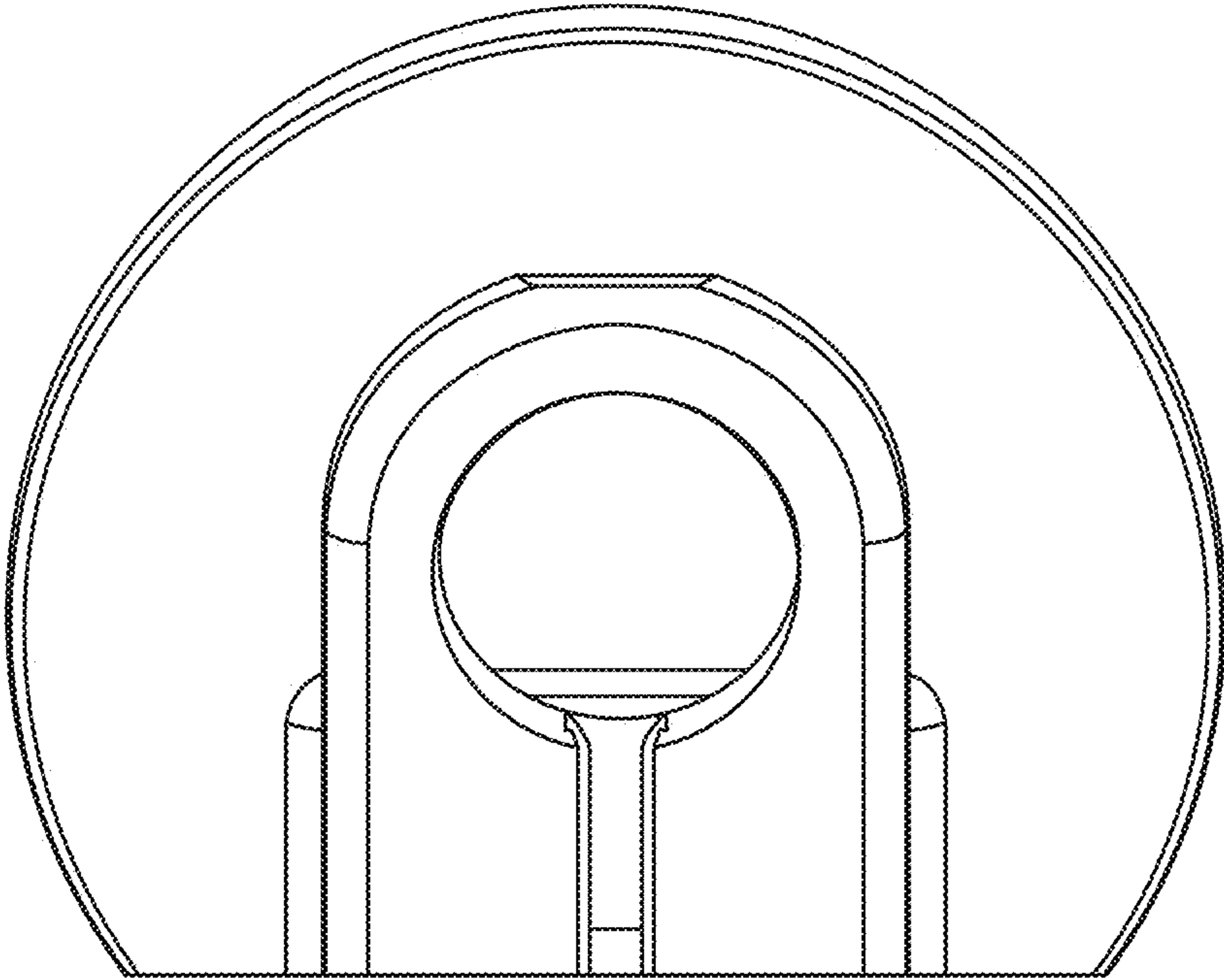


FIG.1.2

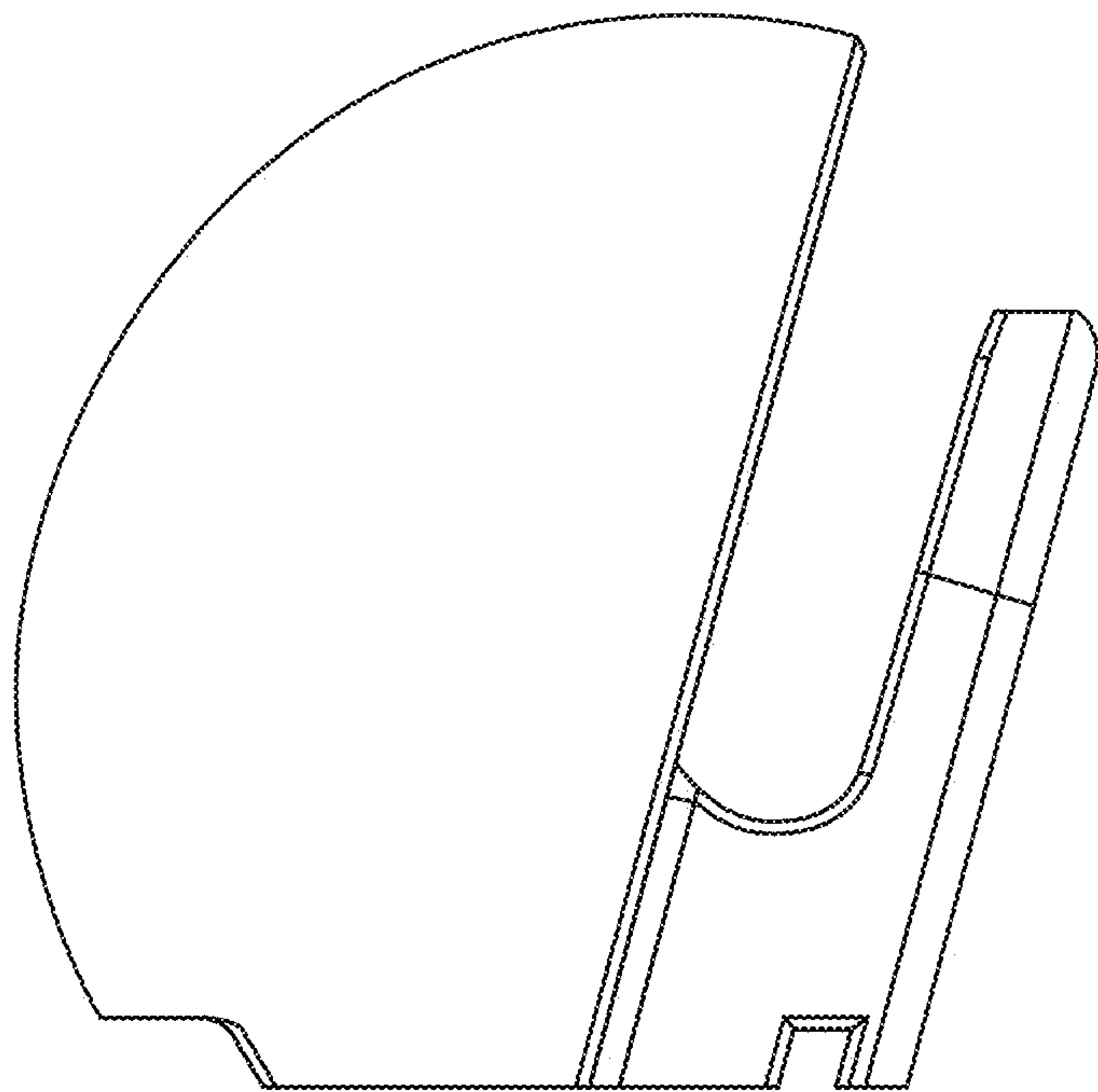


FIG.1.3

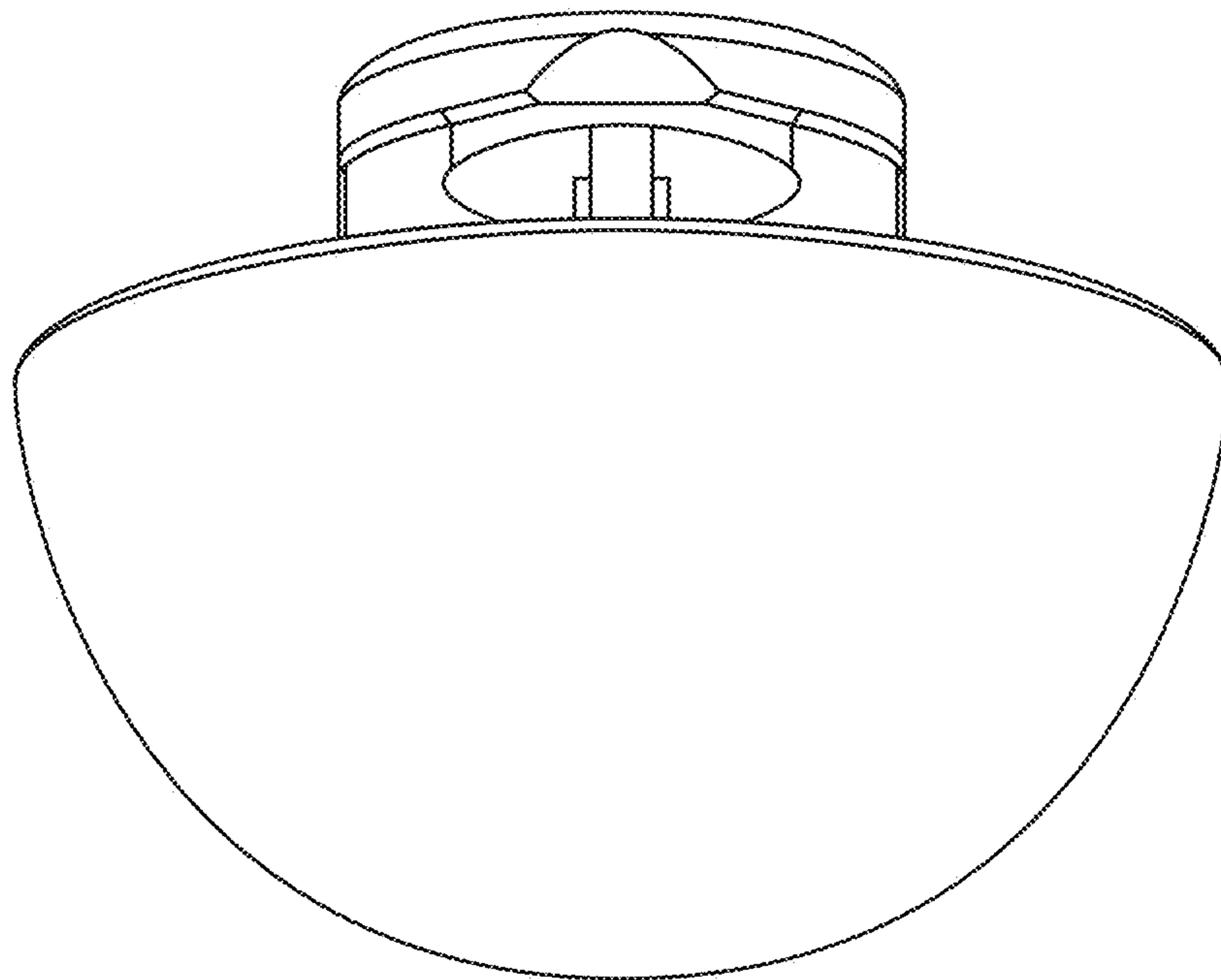


FIG.1.4

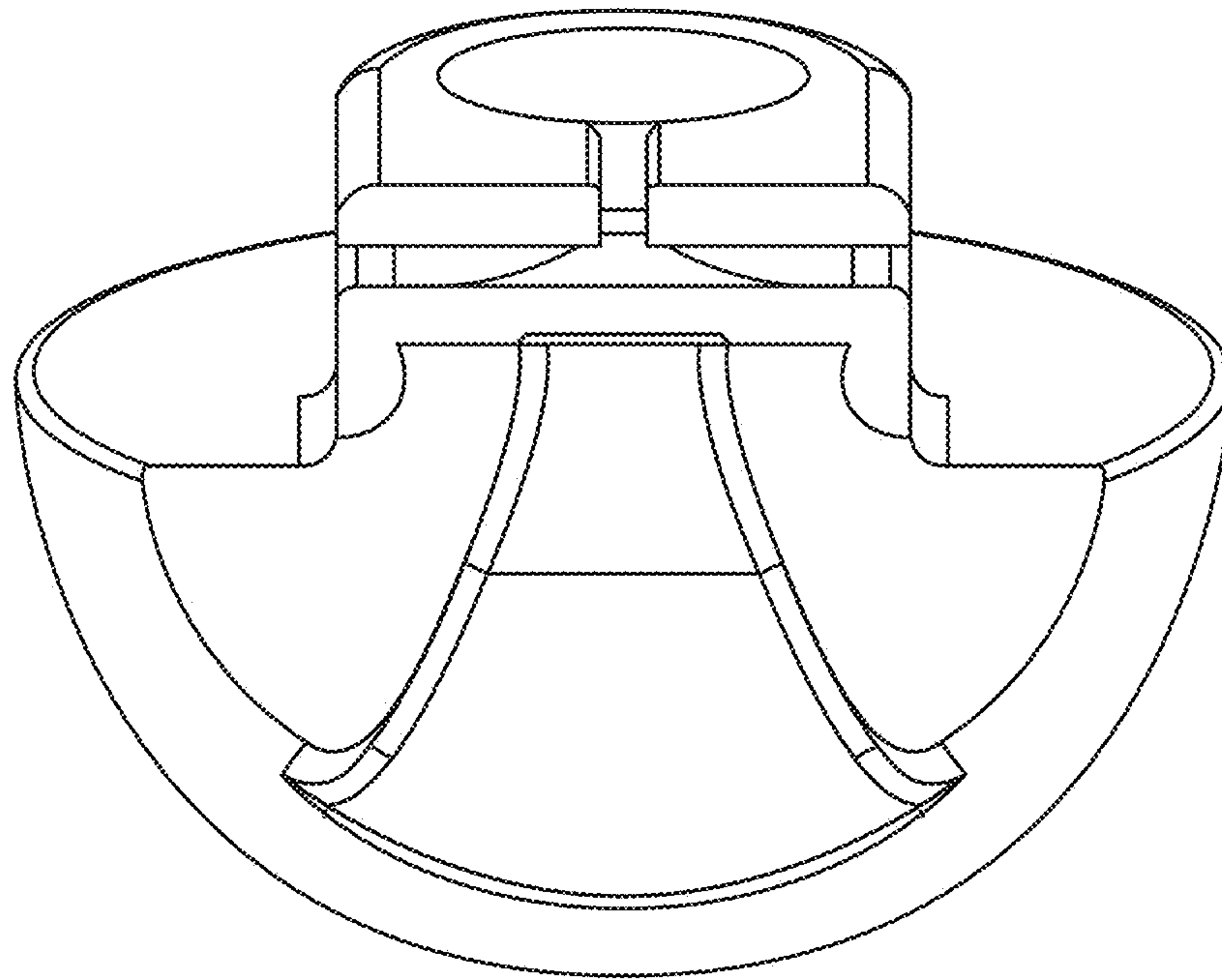


FIG.1.5

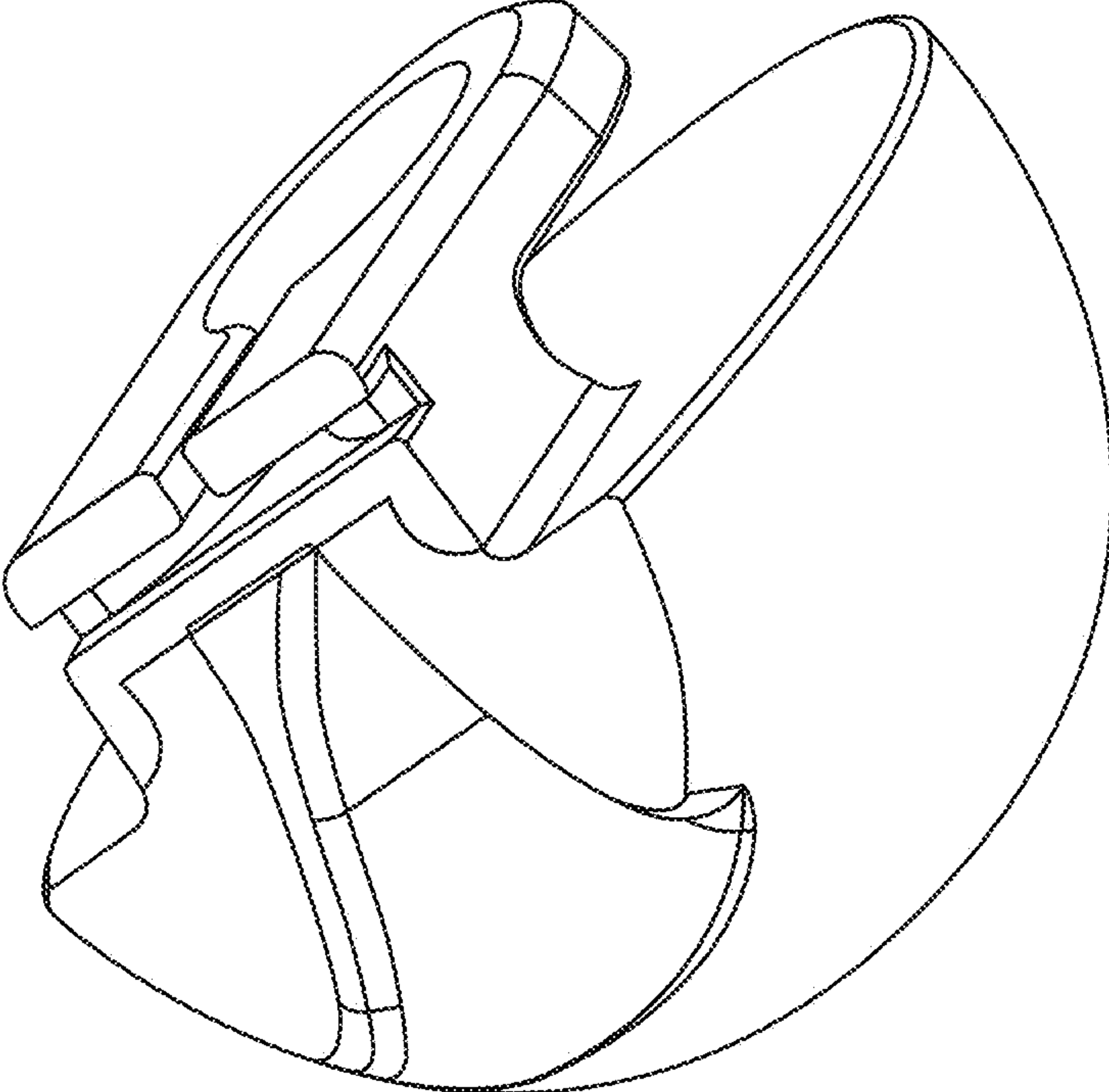


FIG.1.6