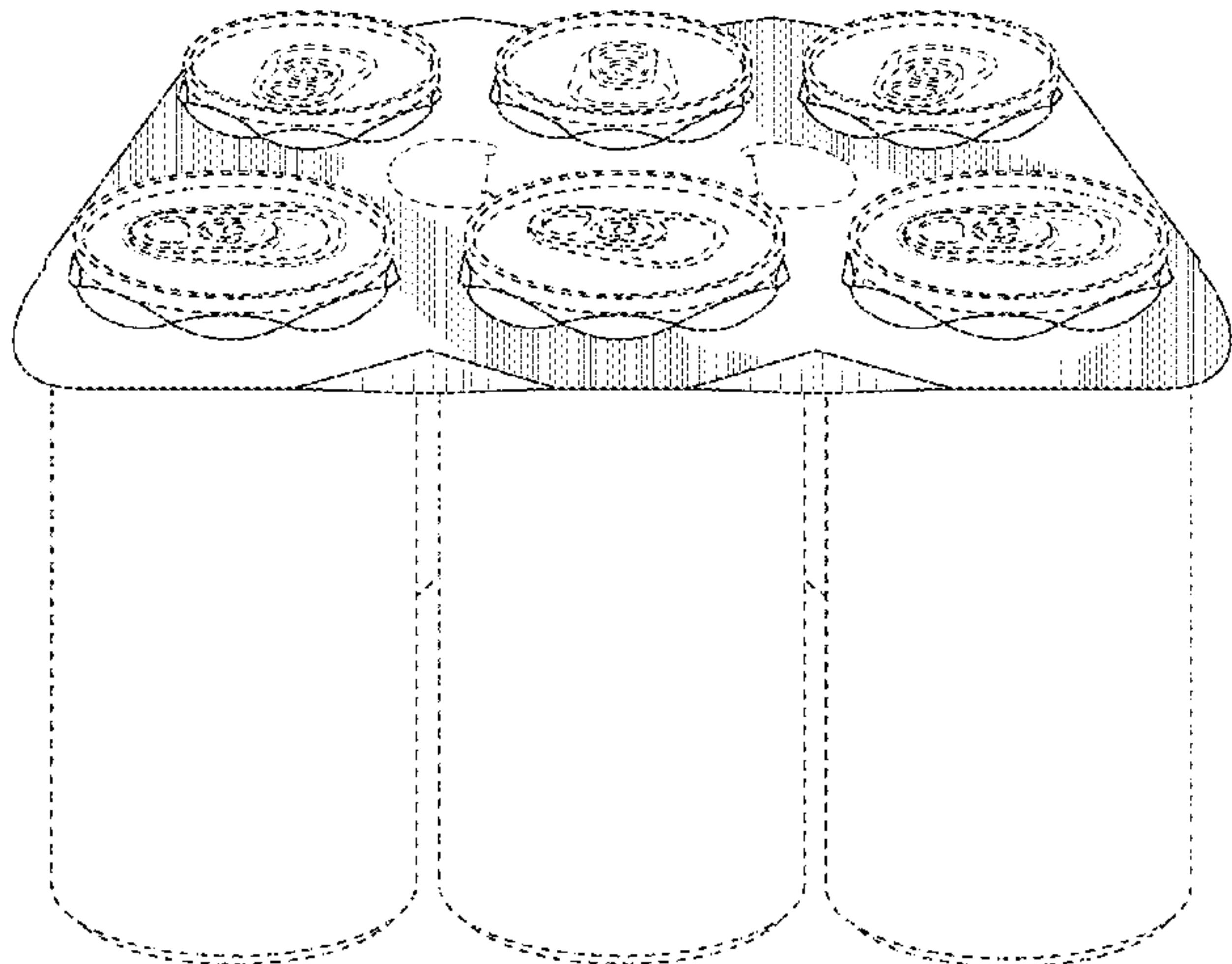


US00D984282S

(12) **United States Design Patent** (10) **Patent No.:** **US D984,282 S**
McCree et al. (45) **Date of Patent:** **** Apr. 25, 2023**

- (54) **CARRIER FOR CONTAINERS** 2,522,950 A 9/1950 Keith
 2,594,376 A 4/1952 Arneson
 2,594,377 A 4/1952 Arneson
 2,737,326 A 3/1956 Toensmeier
 2,798,603 A 7/1957 Grinspoon
 2,950,041 A 8/1960 Stone
 2,965,410 A 12/1960 Hughes
 3,001,647 A 9/1961 Liss
 3,046,711 A 7/1962 Harrison
 3,061,141 A 10/1962 Cote
 3,094,210 A 6/1963 Van Der Berg
 3,099,475 A 7/1963 Manizza
 3,118,537 A 1/1964 Copping
 3,128,034 A 4/1964 Weiss
 3,137,109 A 6/1964 Rapata
 3,146,885 A 9/1964 Grantham
 3,156,358 A 11/1964 Randrup
 3,200,944 A 8/1965 Rapata
 3,223,308 A 12/1965 Weiss
 3,245,711 A 4/1966 Dantoin
 3,257,066 A 6/1966 Williams
 3,281,180 A 10/1966 Spery
 3,302,784 A 2/1967 Copping
 3,387,879 A 6/1968 Wood
 3,404,912 A * 10/1968 Watts B65D 71/44
 294/87.2
 3,410,596 A 11/1968 Slevin, Jr.
 3,432,202 A 3/1969 Ebelhardt
 3,463,535 A 8/1969 Beart
 3,528,697 A 9/1970 Wood
 3,587,847 A 6/1971 Graser
 3,601,439 A 8/1971 Poupitch
 3,612,266 A 10/1971 Graser
 D222,579 S 11/1971 Oglesbee
 3,627,121 A 12/1971 Deasy
 3,653,503 A 4/1972 Arneson
 3,693,787 A 9/1972 Duerr
 3,698,550 A 10/1972 Graser
 3,701,416 A 10/1972 Lawrence
 3,722,945 A 3/1973 Wood
 3,726,558 A 4/1973 Klygis
 3,734,278 A 5/1973 Kerrigan
 3,876,066 A 4/1975 Klygis
 3,897,873 A 8/1975 Graser
 3,924,739 A 12/1975 Gravesteijn
 3,942,631 A 3/1976 Sutherland et al.
 4,029,204 A 6/1977 Manizza
 4,111,298 A 9/1978 Mascia
 4,120,396 A 10/1978 Mascia
 4,136,772 A 1/1979 Mascia
 4,155,502 A 5/1979 Forte
 4,190,149 A 2/1980 Oliff et al.
 D257,001 S 9/1980 Oliff
- (71) Applicant: **Graphic Packaging International, LLC, Atlanta, GA (US)**
- (72) Inventors: **Justin McCree, Bristol (GB); Steven M. Gould, Bristol (GB)**
- (73) Assignee: **Graphic Packaging International, LLC, Atlanta, GA (US)**
- (**) Term: **15 Years**
- (21) Appl. No.: **29/775,559**
- (22) Filed: **Mar. 24, 2021**
- (51) **LOC (14) Cl. 09-03**
- (52) **U.S. Cl.**
 USPC **D9/752**
- (58) **Field of Classification Search**
 USPC D9/751-755, 414, 415, 424, 425, D9/432-433, 503, 504, 715, 737, 756, D9/759, 760, 761; D3/273, 201, 283, D3/284, 286, 295, 903; 220/669-673, 220/675, 574-575, 573.1; D11/143; 206/148, 427, 161; D7/601-602, 550.1, D7/553.1, 554.1, 554.3, 555, 557
 CPC B65D 71/70; B65D 71/42; B65D 71/40; B65D 71/44; B65D 71/504; B65D 71/0085; B65D 71/46; B65D 2571/00; B65D 2571/00006; B65D 2571/00444; B65D 73/0064; B65D 73/0071; B65D 73/0078; B65D 73/0085; B65D 75/04; B31B 50/006; B31B 50/262; B65B 17/02
 See application file for complete search history.
- (56) **References Cited**
 U.S. PATENT DOCUMENTS
 1,527,399 A 2/1925 Davidson
 2,289,859 A 7/1942 Arthur
 2,320,440 A 6/1943 Kruea
 2,331,038 A 10/1943 Meller
 2,397,376 A 3/1946 Caldwell
 2,397,716 A 4/1946 Wendler



US D984,282 S

4,244,617 A	1/1981	Manizza	5,878,876 A	3/1999	Galbierz et al.
4,304,329 A	12/1981	Graser	5,960,945 A	10/1999	Sutherland
D265,292 S	7/1982	Killy	6,039,181 A	3/2000	Whiteside
4,339,032 A	7/1982	Wood	6,059,099 A	5/2000	Galbierz
D265,979 S *	8/1982	Arfert D9/752	6,082,532 A	7/2000	Miess
4,372,599 A	2/1983	Kiedaisch et al.	6,145,656 A	11/2000	Marco
4,378,879 A	4/1983	Killy	6,293,392 B1	9/2001	Galbierz
4,382,505 A	5/1983	Sutherland et al.	6,315,111 B1	11/2001	Sutherland
4,441,611 A	4/1984	Sommariva	6,394,272 B1	5/2002	Domansky
4,453,630 A	6/1984	Helms	6,896,130 B2	5/2005	Theelen
4,471,870 A	9/1984	Uhlig	D506,925 S	7/2005	Plumer
4,523,676 A	6/1985	Barrash	7,011,209 B2	3/2006	Sutherland et al.
D294,331 S	2/1988	Panazzolo	7,690,507 B2	4/2010	Sutherland
4,784,266 A	11/1988	Chaussadas	7,721,878 B2	5/2010	Requena
D304,017 S	10/1989	Oliff	7,762,397 B2	7/2010	Coltri-Johnson et al.
4,911,288 A	3/1990	Dantoin, Jr.	7,789,231 B2	9/2010	Requena
4,974,726 A	12/1990	Klygis et al.	7,823,721 B2	11/2010	Sutherland et al.
5,002,225 A	3/1991	Bienaime	8,056,709 B2 *	11/2011	Sutherland B65D 71/46
5,065,862 A	11/1991	Mousseau			206/148
5,103,971 A	4/1992	Schuster	8,096,413 B2	1/2012	Coltri De Paula
5,125,506 A	6/1992	Galbierz et al.	8,162,135 B2	4/2012	Oliveira
5,135,104 A	8/1992	Jorba	8,353,398 B2	1/2013	DePaula et al.
5,139,147 A	8/1992	Sutherland	8,387,784 B2	3/2013	Gonzalez et al.
D329,807 S	9/1992	Heider	8,443,968 B2	5/2013	DePaula
5,188,225 A	2/1993	Jorba	8,464,866 B2	6/2013	Sutherland et al.
5,193,673 A	3/1993	Rathbone et al.	8,469,184 B2	6/2013	Spivey, Sr.
5,201,412 A	4/1993	Schuster et al.	8,602,209 B2	12/2013	Jones et al.
5,230,425 A	7/1993	Edqvist et al.	8,631,932 B2	1/2014	Holley, Jr.
5,246,113 A	9/1993	Schuster	8,701,878 B2	4/2014	Spivey, Sr.
5,263,299 A	11/1993	Galbierz et al.	8,925,720 B2	1/2015	Sutherland et al.
5,267,644 A	12/1993	Tsao	8,936,149 B2	1/2015	Smalley
5,282,348 A	2/1994	Dampier et al.	8,955,674 B2	2/2015	Spivey, Sr. et al.
5,297,673 A	3/1994	Sutherland	9,079,699 B2	7/2015	Holley, Jr.
5,310,050 A	5/1994	Sutherland	9,169,050 B2	10/2015	Spivey, Sr.
5,310,051 A	5/1994	Sutherland	9,284,090 B2	3/2016	Lettre
5,314,224 A	5/1994	Bates	9,359,093 B2	6/2016	DePaula et al.
5,318,178 A	6/1994	Davies et al.	9,376,250 B2	6/2016	Spivey, Sr.
5,323,895 A	6/1994	Sutherland et al.	D767,408 S *	9/2016	Shuster B65D 71/504
5,328,024 A	7/1994	Sutherland			D9/703
5,335,774 A	8/1994	Ganz	9,446,891 B2	9/2016	Jones et al.
5,351,815 A	10/1994	Fogle et al.	9,511,916 B2	12/2016	Holley, Jr.
5,351,816 A	10/1994	Sutherland et al.	9,669,976 B2	6/2017	Kastanek et al.
5,351,817 A	10/1994	Sutherland	9,676,535 B2	6/2017	Spivey, Sr.
5,355,999 A	10/1994	Sutherland	10,077,131 B2	9/2018	Lettre
5,360,104 A	11/1994	Sutherland	D881,021 S	4/2020	Bandinu
5,390,784 A	2/1995	Sutherland	D881,718 S	4/2020	Bandinu
5,407,065 A	4/1995	Sutherland	10,836,550 B2 *	11/2020	Zacherle B65D 71/44
5,415,278 A	5/1995	Sutherland	D918,057 S	5/2021	L'Heureux
5,425,446 A *	6/1995	Weaver B65D 71/44	D918,058 S	5/2021	L'Heureux
		206/427	11,014,727 B2	5/2021	McCree
5,443,153 A	8/1995	Sutherland	D920,809 S	6/2021	Chesnet et al.
5,445,262 A	8/1995	Sutherland	D921,493 S *	6/2021	Chesnet D9/752
5,452,799 A	9/1995	Sutherland	D923,416 S *	6/2021	Luciano B31B 50/262
5,484,053 A	1/1996	Harris			D7/553.4
5,485,914 A	1/1996	Martin	11,027,905 B2	6/2021	Ford
5,487,464 A	1/1996	Galbierz et al.	11,180,301 B2	11/2021	Smalley
5,490,593 A	2/1996	Gordon et al.	D944,656 S	3/2022	Spivey, Sr.
5,503,267 A	4/1996	Sutherland	D946,416 S	3/2022	Smalley
5,520,283 A	5/1996	Sutherland	D946,417 S	3/2022	Gonzalez Manzano
5,524,756 A	6/1996	Sutherland	D946,418 S	3/2022	Gonzalez Manzano
5,551,566 A	9/1996	Sutherland	D946,419 S	3/2022	Gonzalez Manzano
5,553,704 A	9/1996	Gordon et al.	D946,420 S	3/2022	Gonzalez Manzano
5,553,705 A	9/1996	Bakx	D946,421 S	3/2022	Gonzalez Manzano
5,573,111 A	11/1996	Gordon	11,261,013 B2	3/2022	Smalley
5,590,776 A	1/1997	Galbierz	11,286,094 B2	3/2022	Gonzalez Manzano
5,593,027 A	1/1997	Sutherland	D955,889 S	6/2022	Gonzalez Manzano
5,609,247 A	3/1997	Appleton	D955,890 S	6/2022	Gonzalez Manzano
5,609,251 A	3/1997	Harris	D956,574 S *	7/2022	Gonzalez Manzano
5,609,379 A	3/1997	Harrelson			B65D 71/44
5,639,137 A	6/1997	Bakx			D9/752
5,682,982 A	11/1997	Stonehouse	11,401,095 B2	8/2022	Rosenbrien
5,706,936 A	1/1998	Bernstein	11,420,802 B2 *	8/2022	Kooc B65D 71/504
5,711,419 A	1/1998	Beales et al.	D962,789 S *	9/2022	Noel D9/752
5,735,394 A	4/1998	Harrelson	2002/0195371 A1	12/2002	Brown
5,746,310 A	5/1998	Slomski	2003/0080004 A1	5/2003	Olsen et al.
5,762,193 A	6/1998	Marco	2003/0213705 A1	11/2003	Woog
5,791,463 A	8/1998	Negelen	2004/0206639 A1	10/2004	Karlsson
5,816,391 A	10/1998	Harris	2004/0211695 A1	10/2004	Karlsson
5,845,776 A	12/1998	Galbierz et al.	2004/0226833 A1	11/2004	Daniel

US D984,282 S

2005/0127151	A1	6/2005	Johnson	
2005/0199513	A1	9/2005	Bakx et al.	
2006/0255114	A1	11/2006	Hand et al.	
2007/0080084	A1	4/2007	Sutherland	
2007/0163908	A1	7/2007	Sutherland	
2009/0101526	A1	4/2009	Sutherland et al.	
2009/0127147	A1	5/2009	Sutherland	
2010/0078337	A1	4/2010	Sutherland et al.	
2010/0264043	A1	10/2010	DePaula	
2011/0000799	A1*	1/2011	Gonzalez	B65D 71/42 493/162
2012/0138489	A1	6/2012	Holley, Jr.	
2015/0191287	A1	7/2015	L'Heureux et al.	
2016/0325899	A1	11/2016	L'Heureux et al.	
2018/0111734	A1	4/2018	Jego	
2018/0222650	A1	8/2018	Zacherle	
2018/0362234	A1	12/2018	L'Heureux et al.	
2019/0119019	A1	4/2019	Patton	
2020/0010255	A1	1/2020	Zacherle et al.	
2020/0079564	A1	3/2020	Ford	
2020/0189817	A1	6/2020	Smalley	
2020/0189818	A1	6/2020	McCree	
2020/0189819	A1	6/2020	McCree	
2020/0189821	A1	6/2020	Smalley	
2020/0189822	A1	6/2020	Smalley	
2020/0223612	A1	7/2020	Swenson	
2021/0061502	A1	3/2021	Johnston	
2021/0094742	A1	4/2021	Gonzalez Manzano	
2021/0276776	A1	9/2021	Zammit	
2021/0316921	A1	10/2021	Holtz	
2021/0331847	A1	10/2021	Gonzalez Manzano	
2021/0331848	A1	10/2021	Gonzalez Manzano	
2021/0339928	A1	11/2021	Blin	
2022/0009685	A1	1/2022	Thompson	
2022/0097941	A1*	3/2022	McCree	B31B 50/262

FOREIGN PATENT DOCUMENTS

AT	399701	B	7/1995	
CA	2133827		10/1993	
DE	298 13 672	U1	11/1998	
DE	203 19 247	U1	5/2004	
DE	10 2009 059 047	A1	6/2011	
EP	0 051 413	A1	5/1982	
EP	0 060 504	A2	9/1982	
EP	0 057 437	B1	5/1985	
EP	0 496 807		6/1993	
EP	0 636 096		2/1995	
EP	0 715 593	A1	6/1996	
EP	0 398 835	B1	10/1996	
EP	2 067 713	A1	6/2009	
EP	1 528 007	B1	10/2010	
EP	2739547	B1	7/2017	
EP	3 666 684	A1	6/2020	
EP	3666685	A1*	6/2020 B65D 71/0085
FR	2 737 196	A1	1/1997	
GB	1 256 684		12/1971	
GB	2 321 229	A	7/1998	
GB	9006736716		8/2019	
GB	2591535	A*	8/2021 B65B 17/02
GB	6161591		9/2021	
JP	10-297668	A	11/1998	
JP	2001-519300	A	10/2001	
JP	2003-146359		5/2003	
JP	2004-189243	A	7/2004	
JP	2015-048088	A	3/2015	
KR	10-2005-0051616	A	6/2005	
KR	10-2020-0106806	A	9/2020	
KR	301130233		10/2021	
WO	WO 93/02941		2/1993	
WO	WO 93/21083		10/1993	
WO	WO 93/25439	A1	12/1993	
WO	WO 94/22738	A1	10/1994	
WO	WO 95/01289	A1	1/1995	
WO	WO 95/06604		3/1995	
WO	WO 96/26128	A1	8/1996	
WO	WO 96/32340	A1	10/1996	
WO	WO 2008/058294	A1	5/2008	
WO	WO 2010/006629	A1	1/2010	

WO	WO 2010/101852	A1	9/2010	
WO	WO-2021168417	A1*	8/2021	
WO	WO-2021188751	A1*	9/2021 B65B 17/02
WO	WO-2021262858	A1*	12/2021	

OTHER PUBLICATIONS

“Florida brewery unveils six-pack rings that spare sea turtles, not snare them,” by Thomas Leavy, CBSNews.com. Date posted: May 24, 2018. Site visited: Sep. 12, 2022. Available online: <https://www.cbsnews.com/news/florida-saltwater-brewery-non-plastic-six-pack-rings-spare-sea-turtles/> (Year: 2018).*

“Pepsi trials molded pulp alternative to plastic rings” in BeverageDaily.com. Date posted: Feb. 28, 2020. Site visited: Sep. 12, 2022. Available online: <https://www.beveragedaily.com/Article/2020/02/28/Pepsi-trials-molded-pulp-alternative-to-plastic-rings#> (Year: 2020).*
 Enviroclip. Date posted: 2022. Site visited: Sep. 12, 2022. Available online: <https://www.graphicpkg.com/products/enviroclip/> (Year: 2022).*

- U.S. Appl. No. 16/426,050, filed May 30, 2019.
- U.S. Appl. No. 16/426,057, filed May 30, 2019.
- U.S. Appl. No. 16/426,060, filed May 30, 2019.
- U.S. Appl. No. 16/426,063, filed May 30, 2019.
- U.S. Appl. No. 16/426,066, filed May 30, 2019.
- U.S. Appl. No. 29/692,992, filed May 30, 2019.
- U.S. Appl. No. 29/692,993, filed May 30, 2019.
- U.S. Appl. No. 29/692,994, filed May 30, 2019.
- U.S. Appl. No. 29/692,996, filed May 30, 2019.
- U.S. Appl. No. 29/692,997, filed May 30, 2019.
- U.S. Appl. No. 16/598,282, filed Oct. 10, 2019.
- U.S. Appl. No. 29/709,918, filed Oct. 18, 2019.
- U.S. Appl. No. 16/829,346, filed Mar. 25, 2020.
- U.S. Appl. No. 29/735,178, filed May 19, 2020.
- U.S. Appl. No. 16/937,043, filed Jul. 23, 2020.
- U.S. Appl. No. 29/739,927, filed Jun. 30, 2020.
- U.S. Appl. No. 29/739,929, filed Jun. 30, 2020.
- U.S. Appl. No. 29/739,931, filed Jun. 30, 2020.
- U.S. Appl. No. 29/739,933, filed Jun. 30, 2020.
- U.S. Appl. No. 29/739,934, filed Jun. 30, 2020.
- U.S. Appl. No. 17/118,999, filed Dec. 11, 2020.
- U.S. Appl. No. 17/119,016, filed Dec. 11, 2020.
- U.S. Appl. No. 17/119,040, filed Dec. 11, 2020.
- U.S. Appl. No. 16/562,957, filed Sep. 6, 2019.
- U.S. Appl. No. 17/036,775, filed Sep. 29, 2020.
- U.S. Appl. No. 17/231,368, filed Apr. 15, 2021.
- U.S. Appl. No. 17/245,583, filed Apr. 30, 2021.
- U.S. Appl. No. 17/478,025, filed Sep. 17, 2021.
- U.S. Appl. No. 17/487,113, filed Sep. 28, 2021.
- U.S. Appl. No. 17/487,131, filed Sep. 28, 2021.
- U.S. Appl. No. 17/487,262, filed Sep. 28, 2021.
- U.S. Appl. No. 17/487,141, filed Sep. 28, 2021.
- U.S. Appl. No. 29/775,557, filed Mar. 24, 2021.
- U.S. Appl. No. 29/775,558, filed Mar. 24, 2021.
- U.S. Appl. No. 29/775,560, filed Mar. 24, 2021.
- U.S. Appl. No. 29/818,355, filed Dec. 8, 2021.
- U.S. Appl. No. 29/819,435, filed Dec. 15, 2021.
- U.S. Appl. No. 29/819,437, filed Dec. 15, 2021.
- U.S. Appl. No. 29/819,438, filed Dec. 15, 2021.
- U.S. Appl. No. 29/819,440, filed Dec. 15, 2021.
- U.S. Appl. No. 17/573,911, filed Jan. 12, 2022.

“Paperboard Can Handle Applicator,” as seen in Packaging World Online. Date first available: 2020. Site visited: Sep. 13, 2022. Available online: <https://www.packworld.com/news/sustainability/article/21202650/paperboard-can-handle-applicator> (Year: 2020).

“The ‘Ecogrip’ Corrugated Bottle Carrier is a Plastic Alternative” in Trendhunter.com. Date published: Jan. 20, 2021. Site visited: Sep. 12, 2022. Available online: <https://www.trendhunter.com/trends/corrugated-bottle-carrier> (Year: 2021).

* cited by examiner

Primary Examiner — Catherine S Posthauer
 Assistant Examiner — Joan E. Diehl

(74) *Attorney, Agent, or Firm* — Womble Bond Dickinson (US) LLP

(57)

CLAIM

The ornamental design for a carrier for containers, as shown and described.

DESCRIPTION

FIG. 1 is a first embodiment perspective view of a carrier for containers showing our new design, shown in a position of use with exemplary containers.

FIG. 2 is a left elevation view of the carrier for containers of FIG. 1, the right elevation view is a mirror image.

FIG. 3 is a front elevation view of the carrier for containers of FIG. 1, the rear elevation view is a mirror image.

FIG. 4 is a top plan view of the carrier for containers of FIG. 1.

FIG. 5 is a bottom plan view of the carrier for containers of FIG. 1.

FIG. 6 is a plan view thereof, shown independent of the exemplary containers to show aspects of the design not visible when combined, and further in an unfolded configuration.

FIG. 7 is a second embodiment perspective view of a carrier for containers showing our new design, shown in a position of use with exemplary containers.

FIG. 8 is a left elevation view of the carrier for containers of FIG. 7, the right elevation view is a mirror image.

FIG. 9 is a front elevation view of the carrier for containers of FIG. 7, the rear elevation view is a mirror image.

FIG. 10 is a top plan view of the carrier for containers of FIG. 7.

FIG. 11 is a bottom plan view of the carrier for containers of FIG. 7; and,

FIG. 12 is a plan view thereof, shown independent of the exemplary containers to show aspects of the design not visible when combined, and further in an unfolded configuration.

The broken lines are shown for the purpose of illustrating both parts of the article as well as environmental subject matter of exemplary containers. None of the broken lines form part of the claimed design.

1 Claim, 12 Drawing Sheets

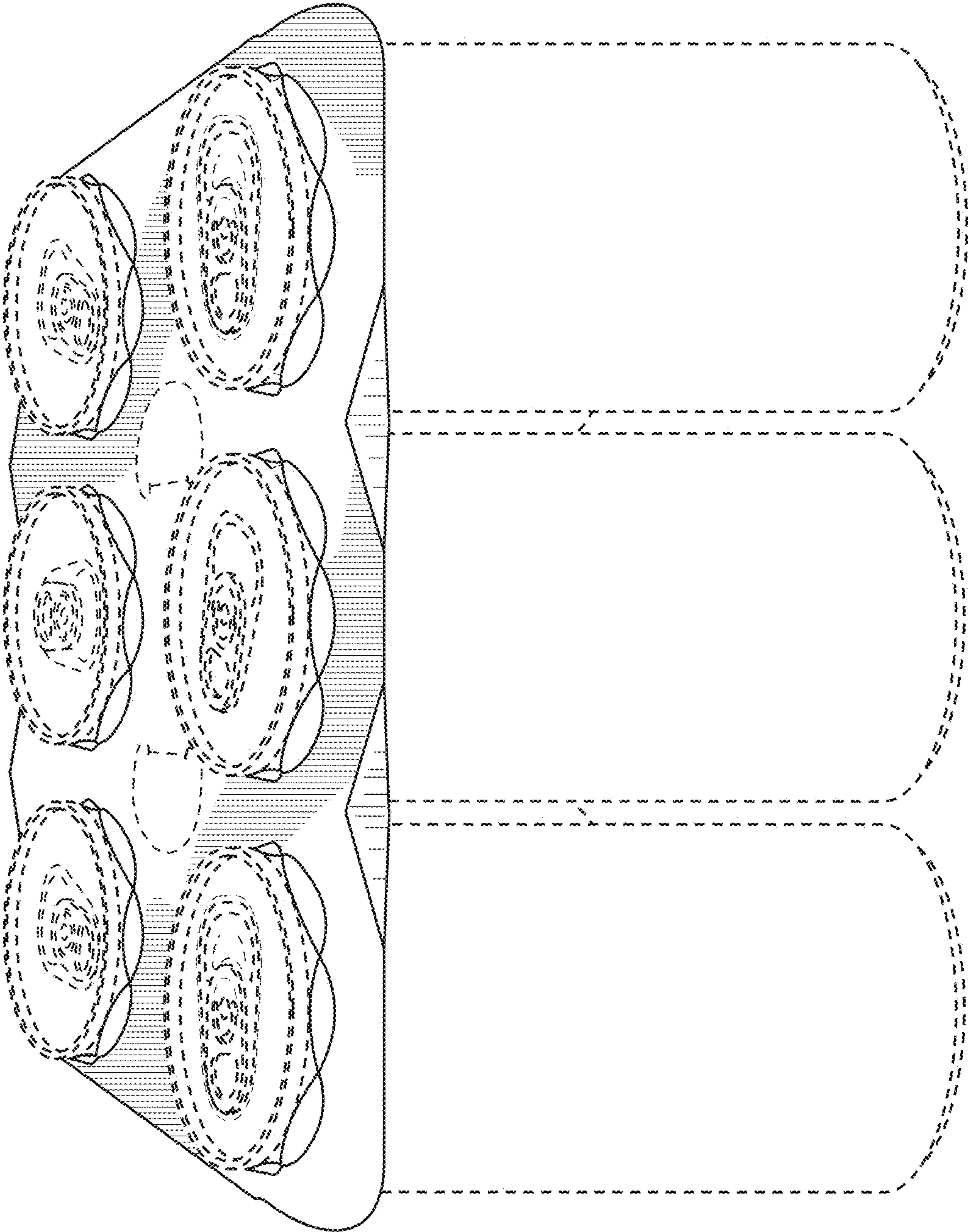


FIG. 1

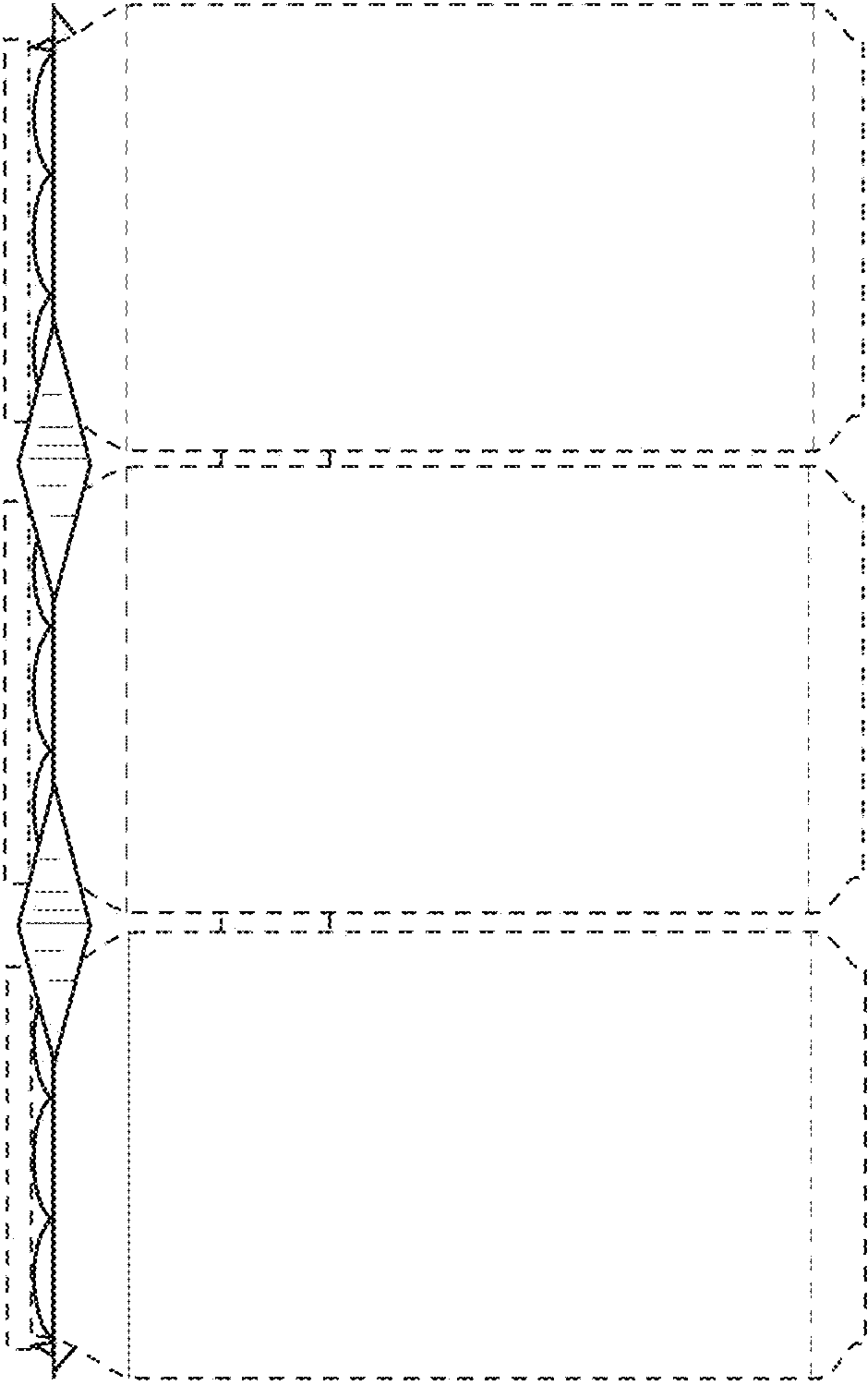


FIG. 2

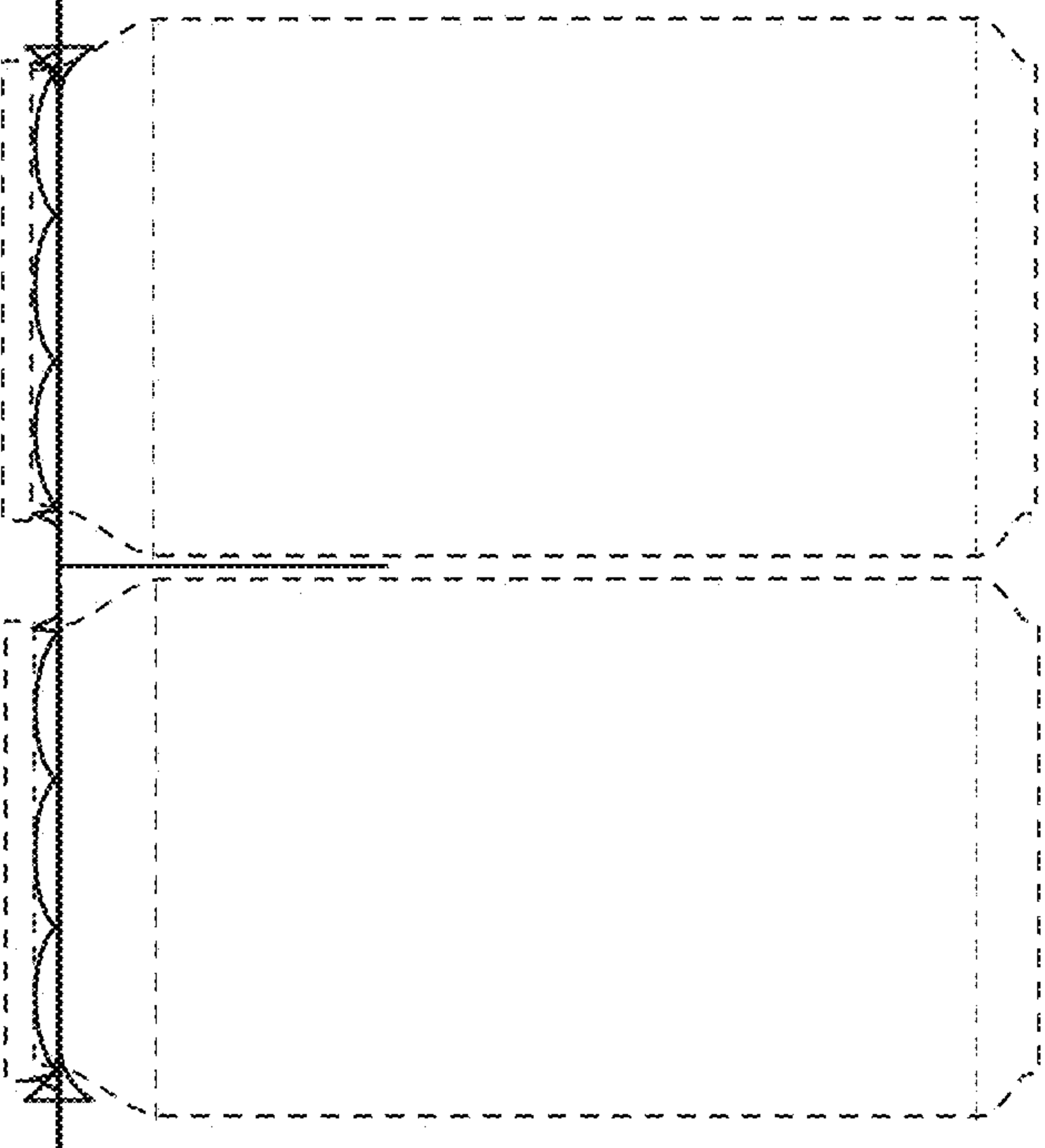


FIG. 3

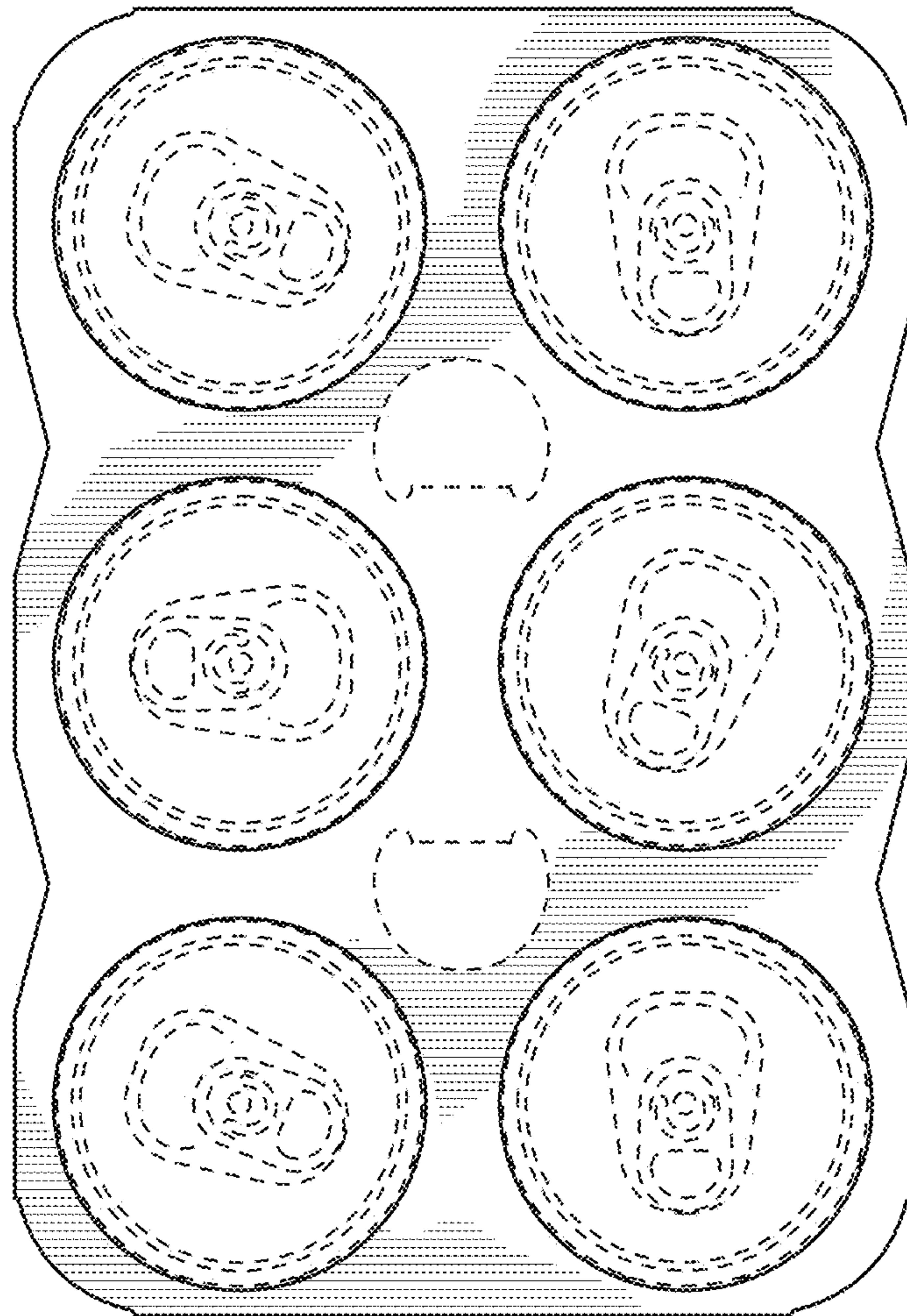


FIG. 4

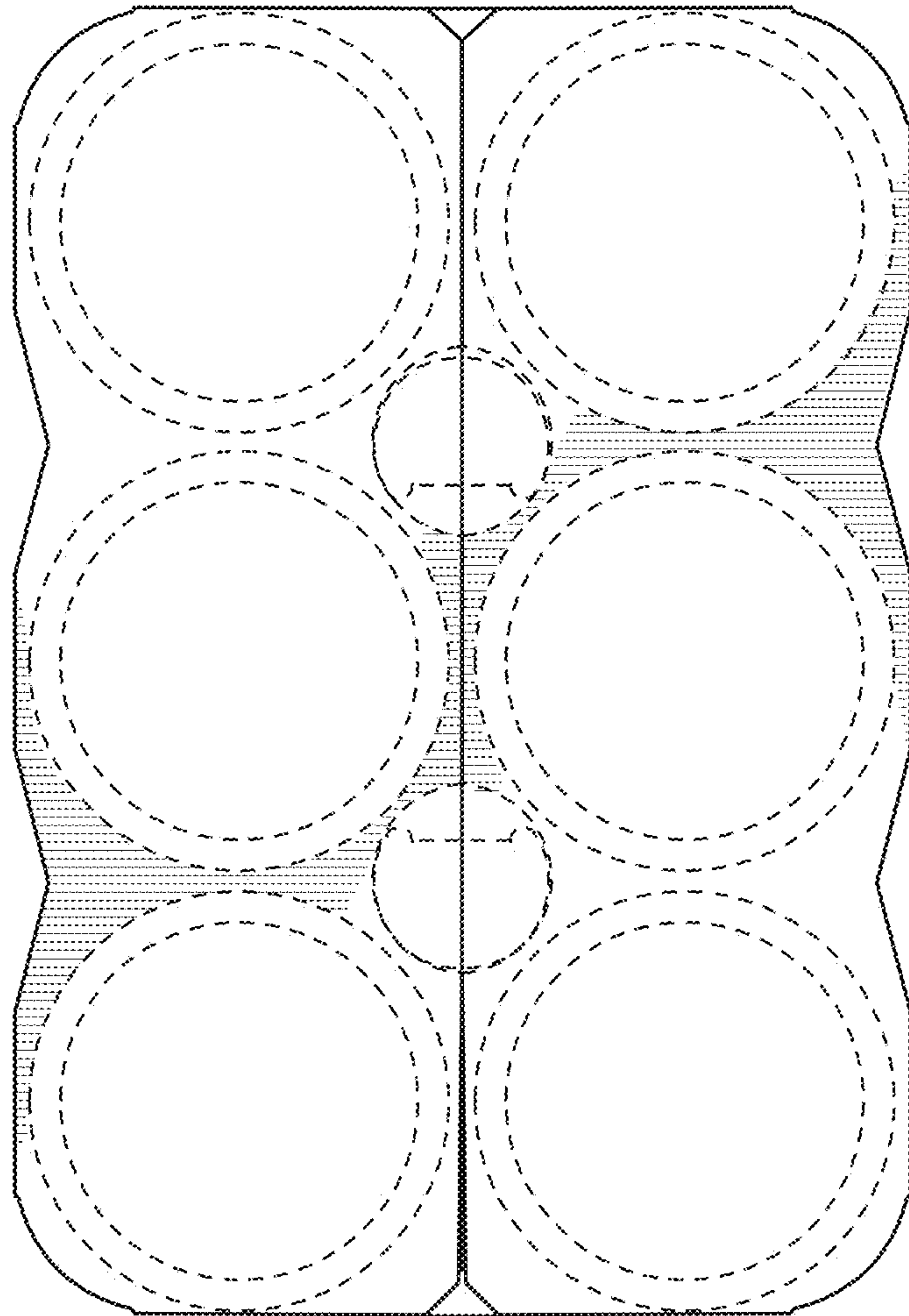


FIG. 5

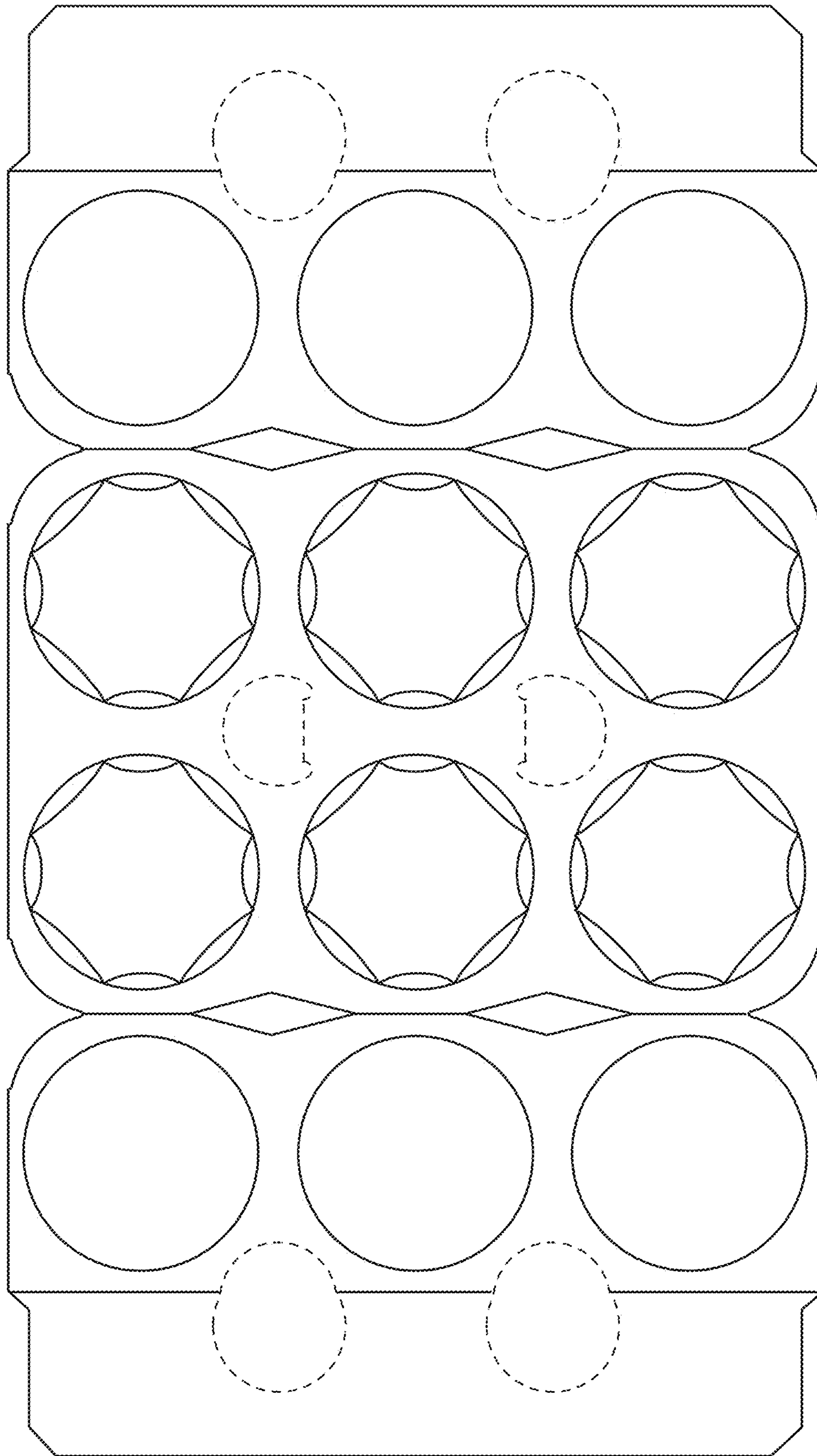


FIG. 6

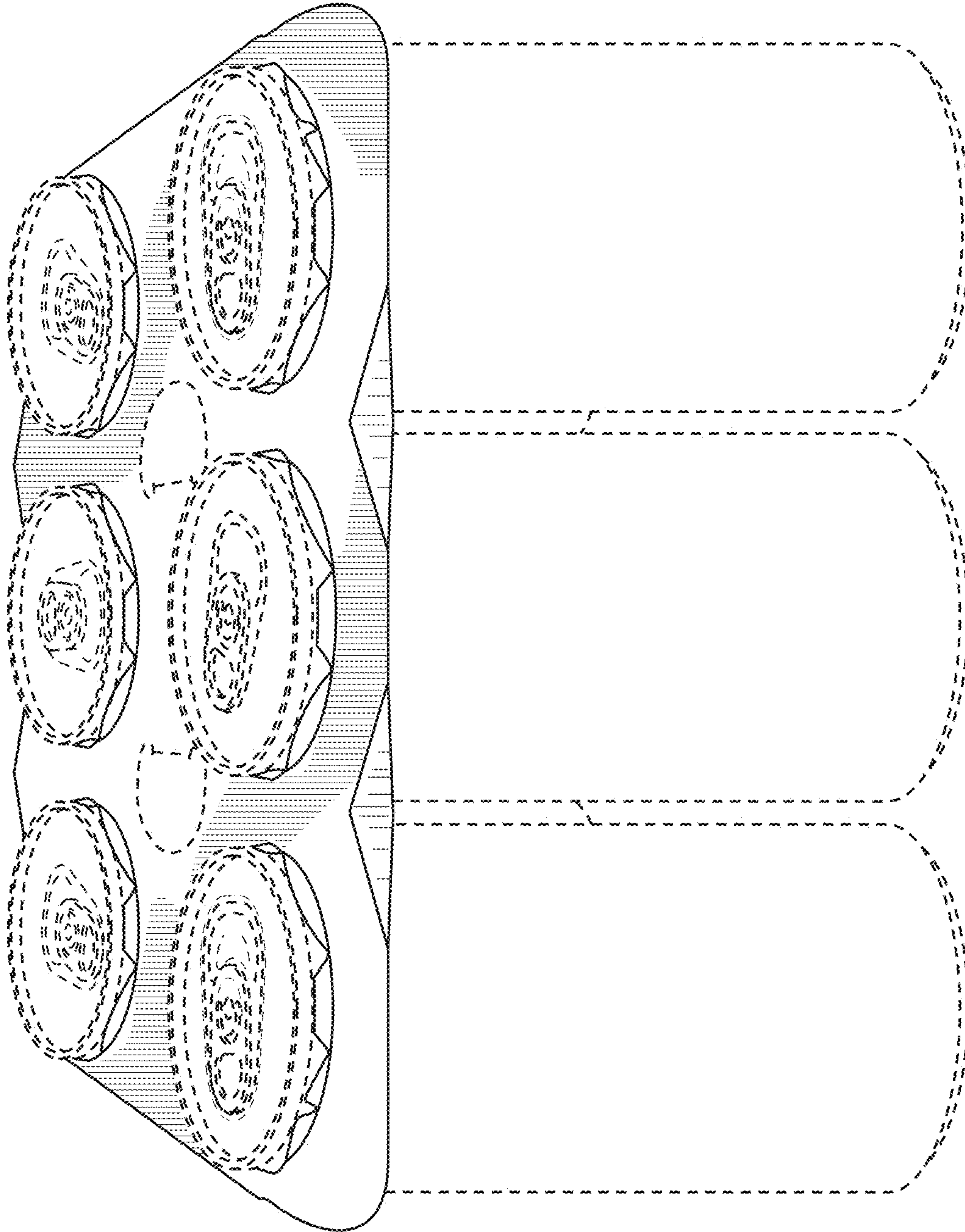


FIG. 7

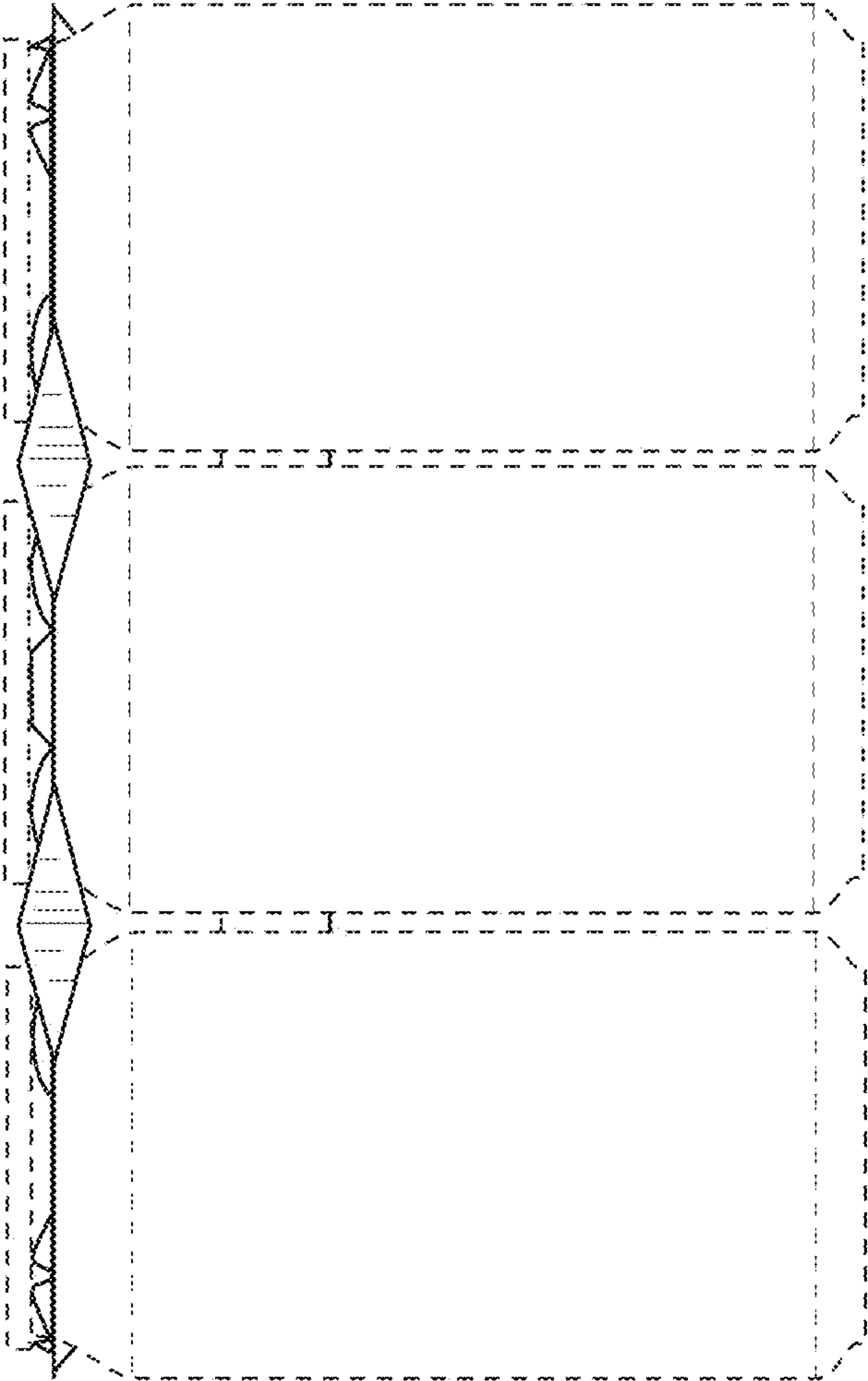


FIG. 8

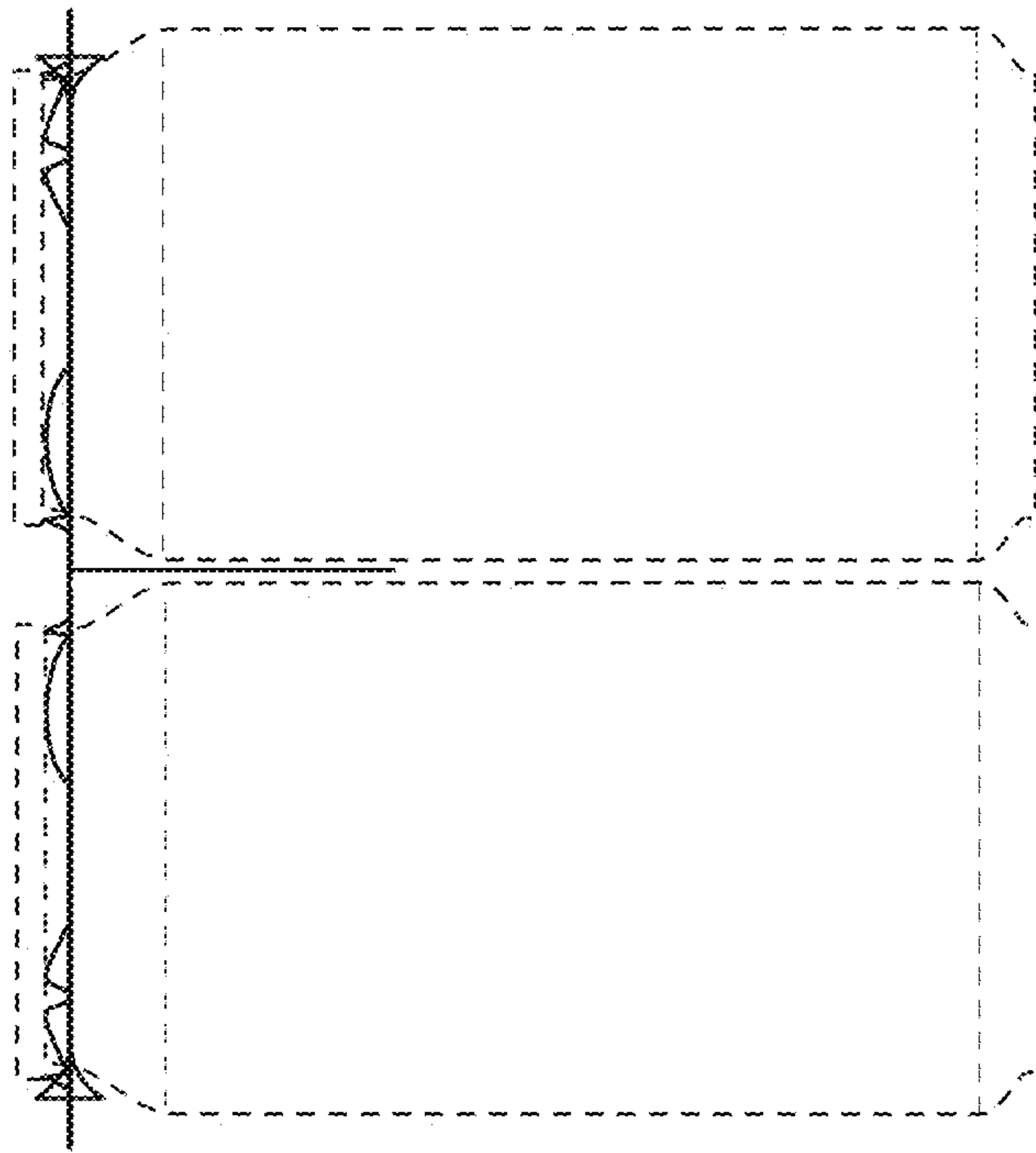


FIG. 9

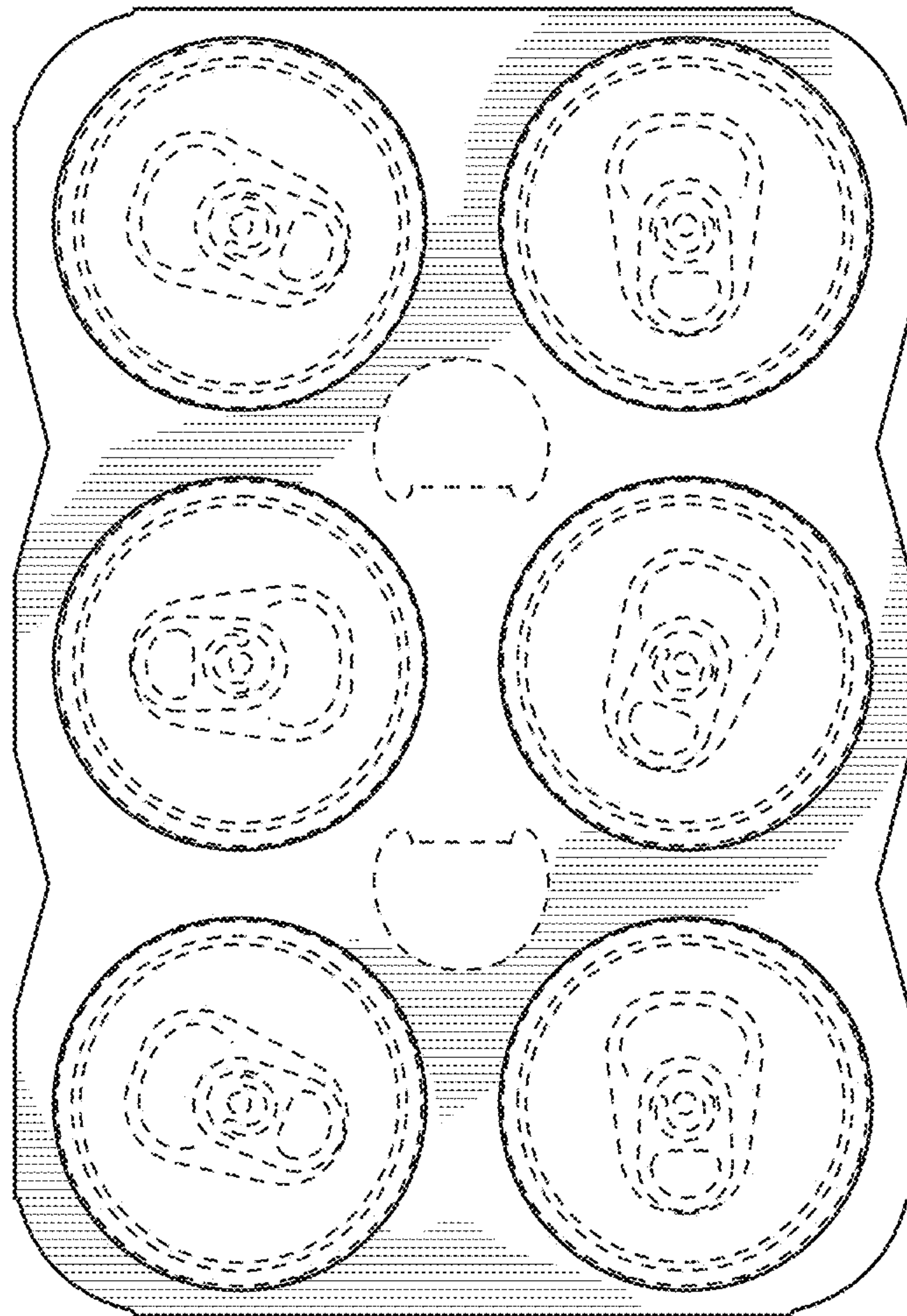


FIG. 10

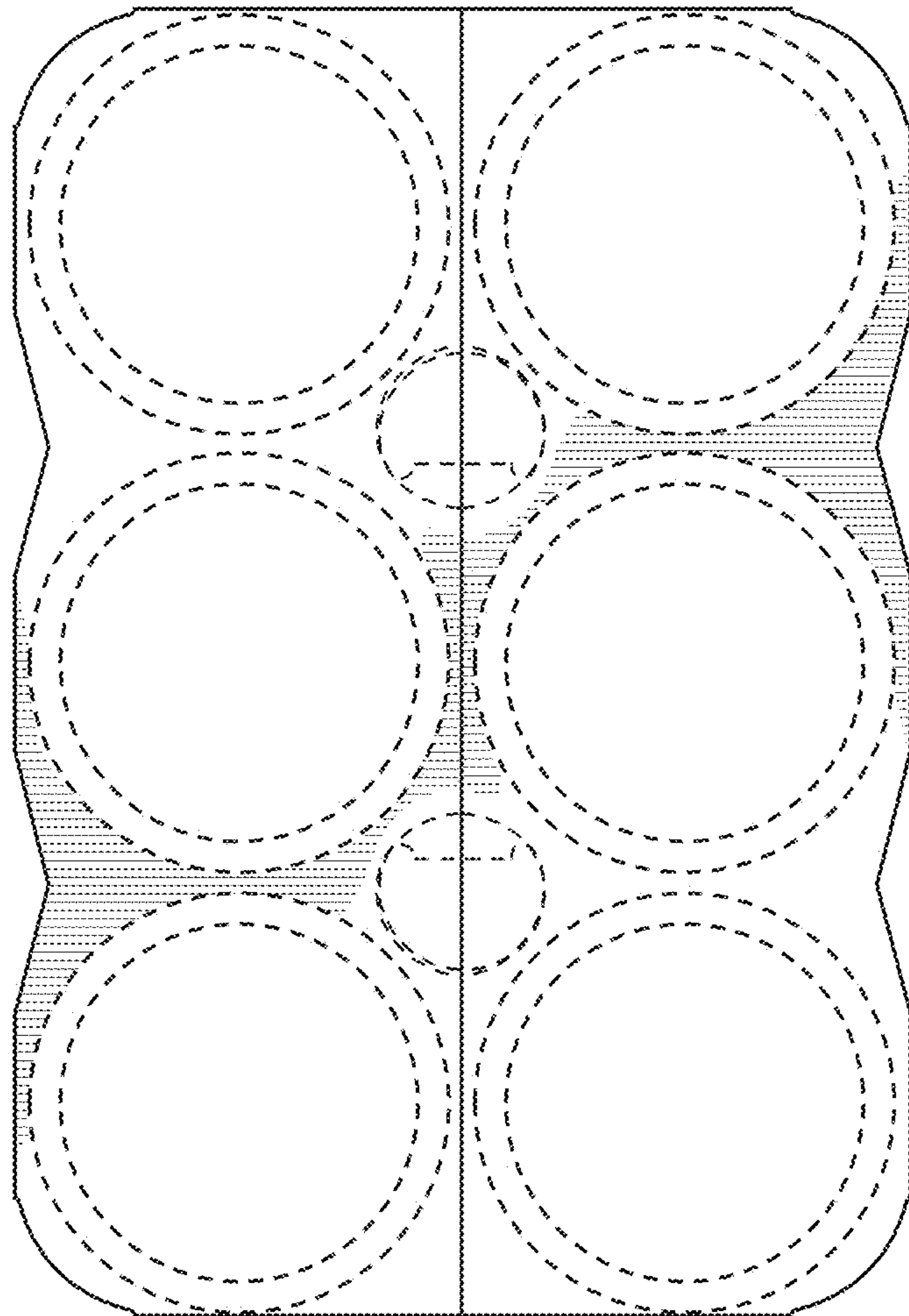


FIG. 11

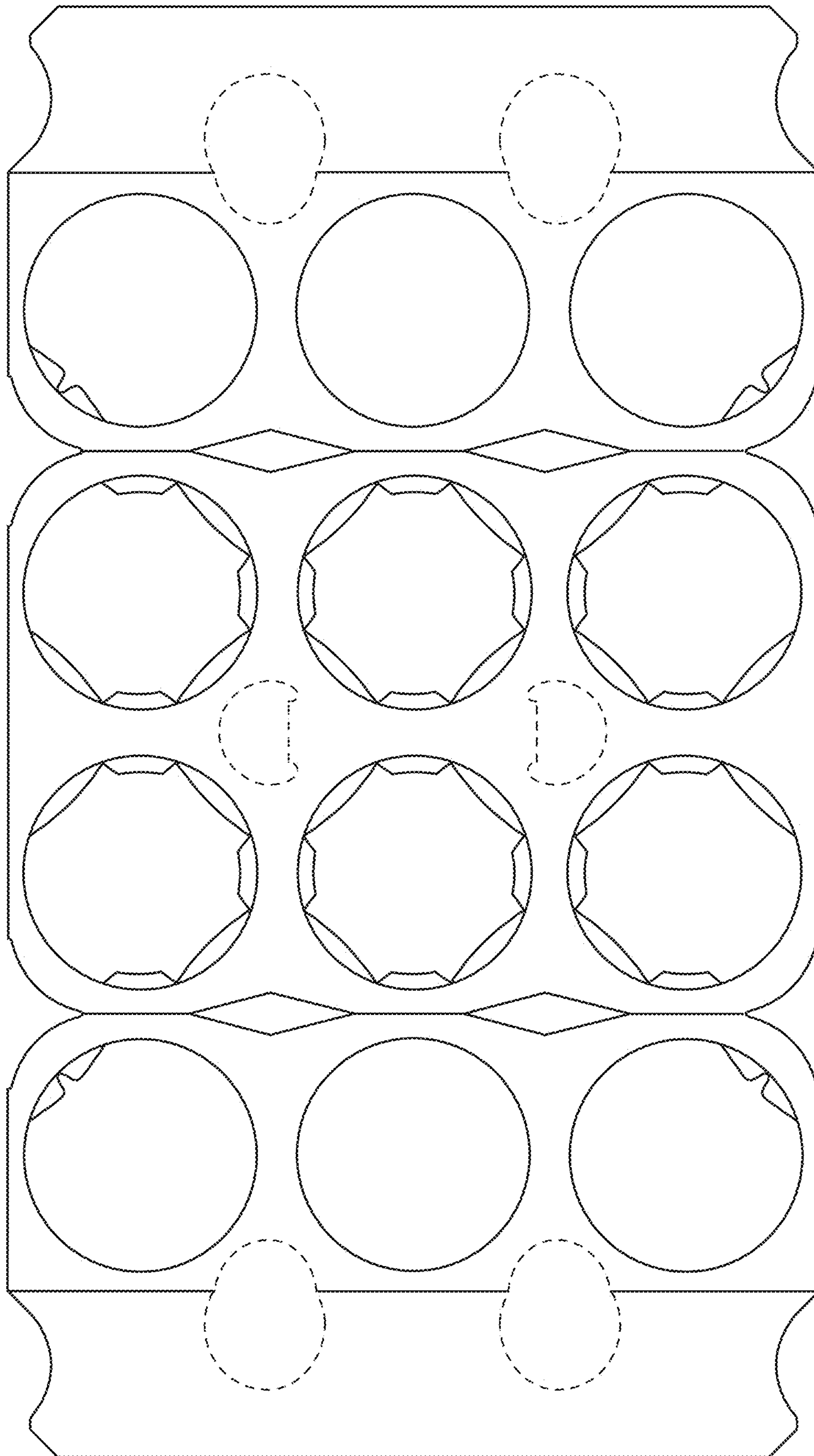


FIG. 12