



US00D984280S

(12) **United States Design Patent**
McCree et al.

(10) **Patent No.: US D984,280 S**
(45) **Date of Patent: ** Apr. 25, 2023**

(54) **CARRIER**

FOREIGN PATENT DOCUMENTS

(71) Applicant: **Graphic Packaging International, LLC**, Atlanta, GA (US)

AT 399701 B 7/1995
CA 2133827 10/1993

(Continued)

(72) Inventors: **Justin McCree**, Bristol (GB); **Brian Smalley**, Bristol (GB); **Steve M. Gould**, Bristol (GB)

OTHER PUBLICATIONS

(73) Assignee: **Graphic Packaging International, LLC**, Atlanta, GA (US)

PR Newswire KeelClip, available Oct. 17, 2019, [online], [site visited Aug. 25, 2022]. Available from internet, URL: <https://www.prnewswire.com/news-releases/graphic-packaging-international-develops-keelclip-an-innovative-paperboard-packaging-solution-for-food-and-beverage-cans-300940191.html> (Year: 2019).*

(**) Term: **15 Years**

(Continued)

(21) Appl. No.: **29/692,993**

(22) Filed: **May 30, 2019**

Primary Examiner — W. A. Teddy Falloway

(51) **LOC (14) Cl.** **09-03**

(74) *Attorney, Agent, or Firm* — Womble Bond Dickinson (US) LLP

(52) **U.S. Cl.**

USPC **D9/752**

(58) **Field of Classification Search**

USPC D9/737, 751–756, 455, 456, 517, 716, D9/719; D7/553.1, 553.4, 553.5, 553.8, D7/555, 701, 708; D3/310–315

CPC B65B 17/025; B65D 71/42; B65D 71/00; B65D 71/44; B65D 71/46; B65D 71/48

See application file for complete search history.

(57) **CLAIM**

The ornamental design for a carrier, as shown and described.

DESCRIPTION

FIG. 1 is a perspective view of a carrier showing my new design according to an exemplary embodiment.

FIG. 2 is a front elevation view of the carrier of FIG. 1, the rear elevation view is a mirror image.

FIG. 3 is a right elevation view of the carrier of FIG. 1, the left elevation view is a mirror image.

FIG. 4 is a top plan view of the carrier of FIG. 1.

FIG. 5 is a bottom plan view of the carrier of FIG. 1; and, FIG. 6 is a plan view of the carrier of FIG. 1 shown in an unfolded arrangement.

The broken lines showing cans illustrate environmental structure. All other broken lines represent portions of the carrier. The broken lines form no part of the claimed design.

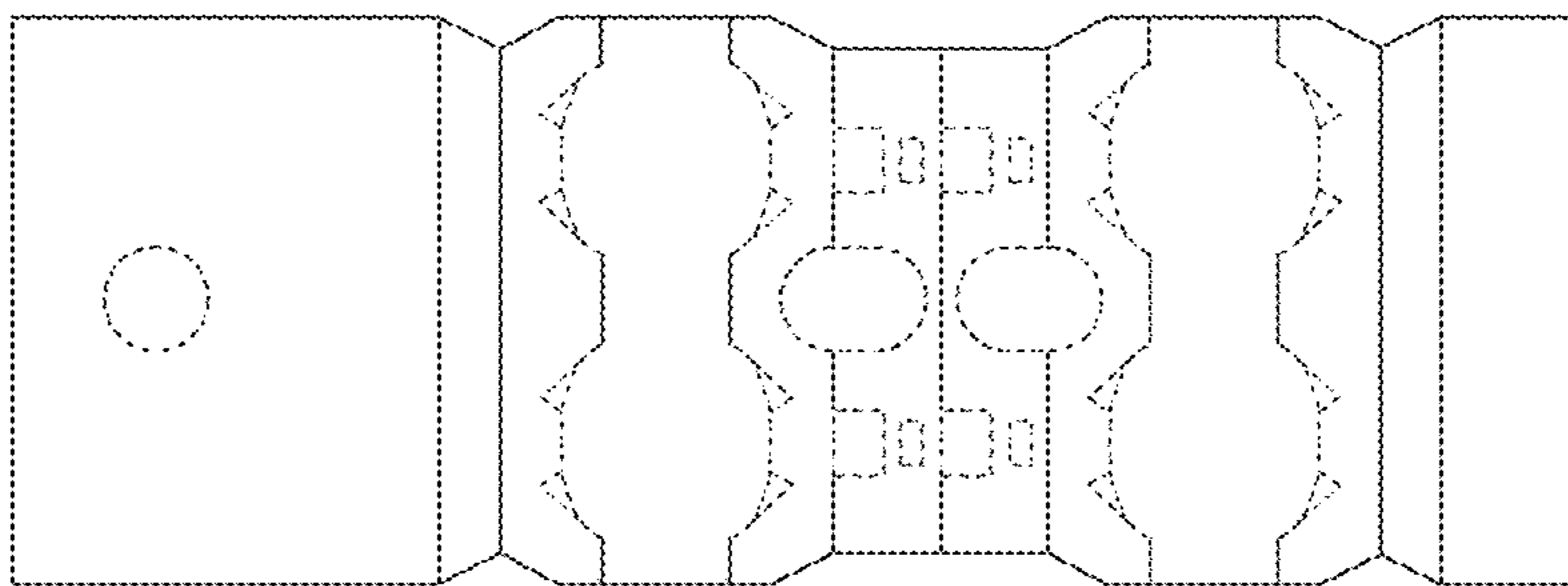
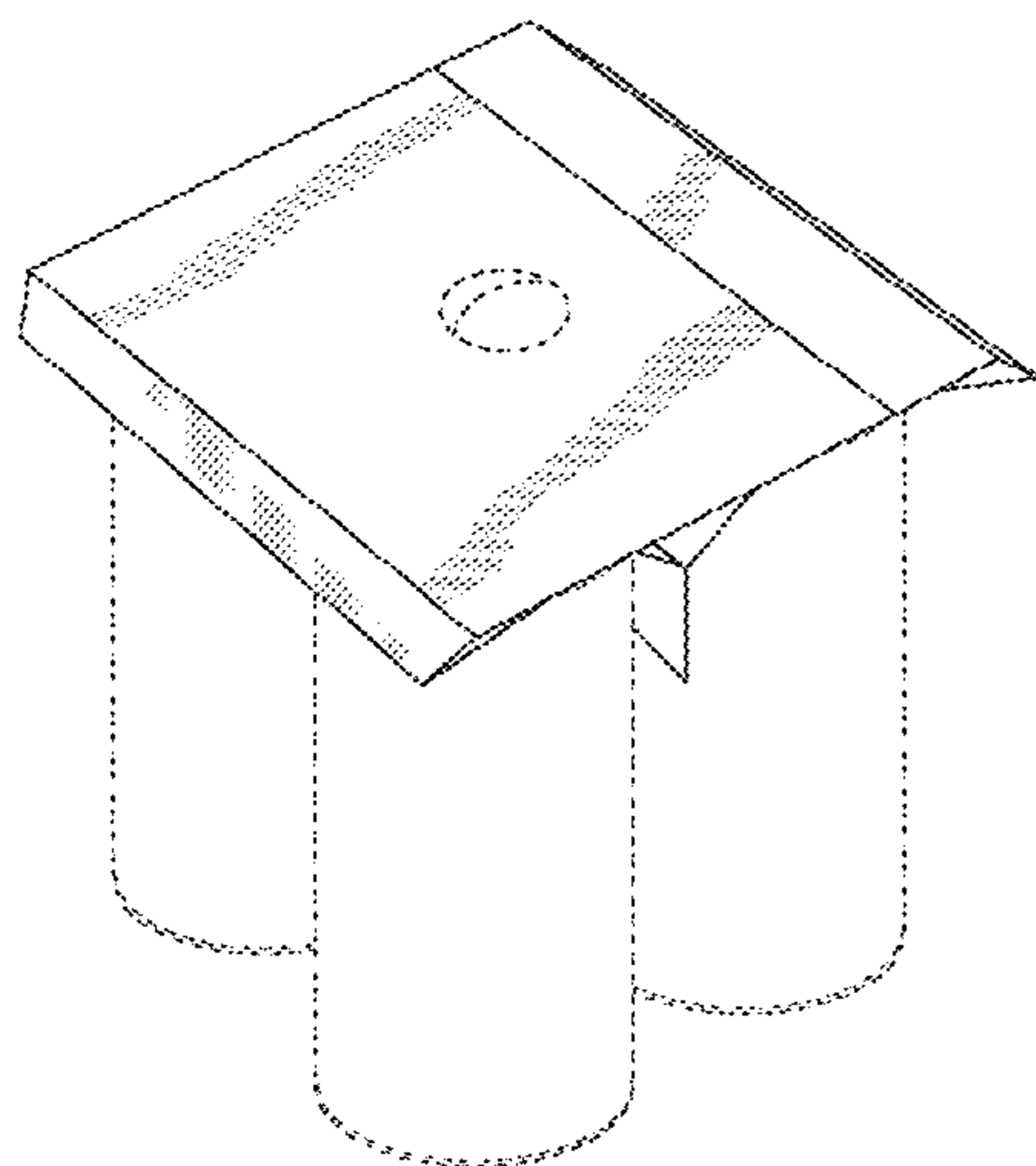
(56) **References Cited**

U.S. PATENT DOCUMENTS

1,527,399	A	2/1925	Davidson
2,289,859	A	7/1942	Arthur
2,320,440	A	6/1943	Kruea
2,331,038	A	10/1943	Meller
2,397,376	A	3/1946	Caldwell
2,397,716	A	4/1946	Wendler
2,522,950	A	9/1950	Keith
2,594,376	A	4/1952	Arneson
2,594,377	A	4/1952	Arneson
2,737,326	A	3/1956	Toensmeier
2,798,603	A	7/1957	Grinspoon
2,950,041	A	8/1960	Stone

(Continued)

1 Claim, 6 Drawing Sheets



(56)

References Cited

U.S. PATENT DOCUMENTS

2,965,410 A	12/1960	Hughes		5,201,412 A	4/1993	Schuster et al.
3,001,647 A	9/1961	Liss		5,230,425 A	7/1993	Edqvist et al.
3,046,711 A	7/1962	Harrison		5,246,113 A	9/1993	Schuster
3,061,141 A	10/1962	Cote		5,263,299 A	11/1993	Galbierz et al.
3,094,210 A	6/1963	Van Der Berg		5,267,644 A	12/1993	Tsao
3,099,475 A	7/1963	Manizza		5,282,348 A	2/1994	Dampier
3,118,537 A	1/1964	Copping		5,297,673 A	3/1994	Sutherland
3,128,034 A	4/1964	Weiss		5,310,050 A	5/1994	Sutherland
3,137,109 A	6/1964	Rapata		5,310,051 A	5/1994	Sutherland
3,146,885 A	9/1964	Grantham		5,314,224 A	5/1994	Bates
3,156,358 A *	11/1964	Randrup	B65D 71/48 206/192	5,318,178 A	6/1994	Davies et al.
				5,323,895 A	6/1994	Sutherland et al.
3,200,944 A	8/1965	Rapata		5,328,024 A	7/1994	Sutherland
3,223,308 A	12/1965	Weiss		5,335,774 A	8/1994	Ganz
3,245,711 A	4/1966	Dantoin		5,351,815 A	10/1994	Fogle et al.
3,257,066 A	6/1966	Williams		5,351,816 A	10/1994	Sutherland et al.
3,281,180 A	10/1966	Spery		5,351,817 A	10/1994	Sutherland
3,302,784 A	2/1967	Copping		5,355,999 A	10/1994	Sutherland
3,387,879 A	6/1968	Wood		5,360,104 A	11/1994	Sutherland
3,404,912 A	10/1968	Watts		5,390,784 A	2/1995	Sutherland
3,410,596 A	11/1968	Slevin, Jr.		5,407,065 A	4/1995	Sutherland
3,432,202 A	3/1969	Ebelhardt		5,415,278 A	5/1995	Sutherland
3,463,535 A *	8/1969	Beart	B65D 71/44 294/87.28	5,425,446 A	6/1995	Weaver
				5,443,153 A	8/1995	Sutherland
3,528,697 A	9/1970	Wood		5,445,262 A	8/1995	Sutherland
3,587,847 A	6/1971	Graser		5,452,799 A	9/1995	Sutherland
3,601,439 A	8/1971	Poupitch		5,484,053 A	1/1996	Harris
3,612,266 A *	10/1971	Graser	B65D 71/48 206/161	5,485,914 A	1/1996	Martin
				5,487,464 A	1/1996	Galbierz et al.
D222,579 S	11/1971	Oglesbee		5,490,593 A	2/1996	Gordon et al.
3,627,121 A	12/1971	Deasy		5,503,267 A	4/1996	Sutherland
3,653,503 A	4/1972	Arneson		5,520,283 A	5/1996	Sutherland
3,693,787 A	9/1972	Duerr		5,524,756 A	6/1996	Sutherland
3,698,550 A	10/1972	Graser		5,551,566 A	9/1996	Sutherland
3,701,416 A	10/1972	Lawrence		5,553,704 A	9/1996	Gordon et al.
3,722,945 A	3/1973	Wood		5,553,705 A	9/1996	Bakx
3,726,558 A	4/1973	Klygis		5,573,111 A	11/1996	Gordon
3,734,278 A	5/1973	Kerrigan		5,590,776 A	1/1997	Galbierz
3,876,066 A	4/1975	Klygis		5,593,027 A	1/1997	Sutherland
3,897,873 A	8/1975	Graser		5,609,247 A	3/1997	Appleton
3,924,739 A	12/1975	Gravesteijn		5,609,251 A	3/1997	Harris
3,942,631 A	3/1976	Sutherland et al.		5,609,379 A	3/1997	Harrelson
4,029,204 A	6/1977	Manizza		5,639,137 A	6/1997	Bakx
4,111,298 A	9/1978	Mascia		5,682,982 A	11/1997	Stonehouse
4,120,396 A	10/1978	Mascia		5,706,936 A	1/1998	Bernstein
4,136,772 A	1/1979	Mascia		5,711,419 A	1/1998	Beales et al.
4,155,502 A	5/1979	Forte		5,735,394 A	4/1998	Harrelson
4,190,149 A	2/1980	Oliff et al.		5,746,310 A	5/1998	Slomski
D257,001 S	9/1980	Oliff		5,762,193 A	6/1998	Marco
4,244,617 A	1/1981	Manizza		5,791,463 A	8/1998	Negelen
4,304,329 A	12/1981	Graser		5,816,391 A	10/1998	Harris
D265,292 S *	7/1982	Killy	D9/433	5,845,776 A	12/1998	Galbierz et al.
4,339,032 A	7/1982	Wood		5,878,876 A	3/1999	Galbierz et al.
D265,979 S	8/1982	Arfert		5,960,945 A	10/1999	Sutherland
4,372,599 A	2/1983	Kiedaisch et al.		6,039,181 A	3/2000	Whiteside
4,378,879 A	4/1983	Killy		6,059,099 A	5/2000	Galbierz
4,382,505 A	5/1983	Sutherland et al.		6,082,532 A	7/2000	Miess
4,441,611 A	4/1984	Sommariva		6,145,656 A	11/2000	Marco
4,453,630 A	6/1984	Helms		6,293,392 B1	9/2001	Galbierz
4,471,870 A	9/1984	Uhlig		6,315,111 B1	11/2001	Sutherland
4,523,676 A	6/1985	Barrash		6,394,272 B1	5/2002	Domansky
D294,331 S	2/1988	Panazzolo		6,896,130 B2	5/2005	Theelen
4,784,266 A	11/1988	Chaussadas		D506,925 S	7/2005	Plumer
D304,017 S *	10/1989	Oliff	D9/433	7,011,209 B2	3/2006	Sutherland et al.
4,911,288 A	3/1990	Dantoin, Jr.		7,690,507 B2	4/2010	Sutherland
4,974,726 A	12/1990	Klygis et al.		7,721,878 B2	5/2010	Requena
5,002,225 A	3/1991	Bienaime		7,762,397 B2	7/2010	Coltri-Johnson et al.
5,065,862 A	11/1991	Mousseau		7,789,231 B2	9/2010	Requena
5,103,971 A	4/1992	Schuster		7,823,721 B2	11/2010	Sutherland et al.
5,125,506 A	6/1992	Galbierz et al.		8,096,413 B2	1/2012	DePaula
5,135,104 A	8/1992	Jorba		8,162,135 B2	4/2012	Oliveira
5,139,147 A	8/1992	Sutherland		8,353,398 B2	1/2013	DePaula et al.
D329,807 S	9/1992	Heider		8,387,784 B2	3/2013	Gonzalez et al.
5,188,225 A	2/1993	Jorba		8,443,968 B2	5/2013	DePaula
5,193,673 A	3/1993	Rathbone et al.		8,464,866 B2	6/2013	Sutherland et al.
				8,469,184 B2	6/2013	Spivey, Sr.
				8,602,209 B2	12/2013	Jones et al.
				8,631,932 B2	1/2014	Holley, Jr.
				8,701,878 B2	4/2014	Spivey, Sr.

(56)

References Cited

U.S. PATENT DOCUMENTS

8,925,720 B2 1/2015 Sutherland et al.
 8,936,149 B2 1/2015 Smalley
 8,955,674 B2 2/2015 Spivey, Sr. et al.
 9,079,699 B2 7/2015 Holley, Jr.
 9,169,050 B2 10/2015 Spivey, Sr.
 9,284,090 B2 3/2016 Lettre
 9,359,093 B2 6/2016 DePaula et al.
 9,376,250 B2 6/2016 Spivey, Sr.
 D767,408 S 9/2016 Shuster
 9,446,891 B2 9/2016 Jones et al.
 9,511,916 B2 12/2016 Holley, Jr.
 9,669,976 B2 6/2017 Kastanek et al.
 9,676,535 B2 6/2017 Spivey, Sr.
 10,077,131 B2 9/2018 Lettre
 D881,021 S 4/2020 Bandinu
 D881,718 S 4/2020 Bandinu
 10,836,550 B2 11/2020 Zacherle
 D918,057 S 5/2021 L'Heureux
 D918,058 S 5/2021 L'Heureux
 11,014,727 B2* 5/2021 McCree B31B 50/624
 D920,809 S 6/2021 Chesnet et al.
 D921,493 S 6/2021 Chesnet
 D923,416 S 6/2021 Luciano
 11,027,905 B2* 6/2021 Ford B65B 17/025
 11,180,301 B2* 11/2021 Smalley B65D 71/42
 D944,656 S* 3/2022 Spivey, Sr. D9/752
 D946,416 S* 3/2022 Smalley D9/752
 D946,417 S* 3/2022 Gonzalez Manzano D9/752
 D946,418 S* 3/2022 Gonzalez Manzano
 B65D 71/42
 D946,419 S* 3/2022 Gonzalez Manzano D9/752
 D946,420 S* 3/2022 Gonzalez Manzano D9/752
 D946,421 S* 3/2022 Gonzalez Manzano
 B65D 71/42
 D9/752
 11,261,013 B2* 3/2022 Smalley B65B 17/025
 11,286,094 B2* 3/2022 Gonzalez Manzano
 B65D 71/0085
 D955,889 S 6/2022 Gonzalez Manzano
 D955,890 S 6/2022 Gonzalez Manzano
 11,401,095 B2 8/2022 Rosenbrien
 11,420,802 B2 8/2022 Kooc
 D962,789 S 9/2022 Noel
 11,472,618 B2* 10/2022 McCree B65D 71/44
 11,485,555 B2* 11/2022 Gonzalez Manzano
 B65D 71/42
 11,492,185 B2* 11/2022 Zammit B65D 71/44
 2002/0195371 A1 12/2002 Brown
 2003/0080004 A1 5/2003 Olsen et al.
 2003/0213705 A1 11/2003 Woog
 2004/0206639 A1 10/2004 Karlsson
 2004/0211695 A1* 10/2004 Karlsson B65D 71/44
 206/139
 2004/0226833 A1 11/2004 Daniel
 2005/0127151 A1 6/2005 Johnson
 2005/0199513 A1 9/2005 Bakx et al.
 2006/0255114 A1 11/2006 Hand et al.
 2007/0080084 A1* 4/2007 Sutherland B65D 71/46
 206/434
 2007/0163908 A1* 7/2007 Sutherland B65D 71/46
 206/434
 2009/0101526 A1 4/2009 Sutherland et al.
 2009/0127147 A1 5/2009 Sutherland
 2010/0078337 A1 4/2010 Sutherland et al.
 2010/0264043 A1 10/2010 DePaula
 2012/0138489 A1 6/2012 Holley, Jr.
 2015/0191287 A1 7/2015 L'Heureux et al.
 2016/0325899 A1 11/2016 L'Heureux et al.
 2018/0111734 A1 4/2018 Jego
 2018/0222650 A1 8/2018 Zacherle
 2018/0362234 A1 12/2018 L'Heureux et al.
 2019/0119019 A1 4/2019 Patton
 2020/0010255 A1 1/2020 Zacherle et al.

2020/0079564 A1 3/2020 Ford
 2020/0189817 A1* 6/2020 Smalley B65D 71/38
 2020/0189818 A1* 6/2020 McCree B65D 75/04
 2020/0189819 A1* 6/2020 McCree B31B 50/20
 2020/0189821 A1* 6/2020 Smalley B65D 71/48
 2020/0189822 A1* 6/2020 Smalley B65D 71/48
 2020/0223612 A1 7/2020 Swenson
 2021/0061502 A1 3/2021 Johnston
 2021/0094742 A1* 4/2021 Gonzalez Manzano
 B65D 71/42
 2021/0276776 A1 9/2021 Zammit
 2021/0316921 A1 10/2021 Holtz
 2021/0331847 A1 10/2021 Gonzalez Manzano
 2021/0331848 A1 10/2021 Gonzalez Manzano
 2021/0339928 A1 11/2021 Blin
 2022/0009685 A1 1/2022 Thompson
 2022/0340343 A1* 10/2022 Van De Vegte B65D 71/46

FOREIGN PATENT DOCUMENTS

DE 298 13 672 U1 11/1998
 DE 203 19 247 U1 5/2004
 DE 10 2009 059 047 A1 6/2011
 EP 0 051 413 A1 5/1982
 EP 0 060 504 A2 9/1982
 EP 0 057 437 B1 5/1985
 EP 0 496 807 6/1993
 EP 0 636 096 2/1995
 EP 0 715 593 A1 6/1996
 EP 0 398 835 B1 10/1996
 EP 2 067 713 A1 6/2009
 EP 1 528 007 B1 10/2010
 EP 2739547 B1 7/2017
 EP 3 666 684 A1 6/2020
 FR 2 737 196 A1 1/1997
 GB 1 256 684 12/1971
 GB 2 321 229 A 7/1998
 GB 9006736716 8/2019
 GB 2591535 A 8/2021
 GB 6161591 9/2021
 JP 10-297668 A 11/1998
 JP 2001-519300 A 10/2001
 JP 2003-146359 5/2003
 JP 2004-189243 A 7/2004
 JP 2015-048088 A 3/2015
 KR 10-2005-0051616 A 6/2005
 KR 10-2020-0106806 A 9/2020
 KR 301130233 10/2021
 WO WO 93/02941 2/1993
 WO WO 93/21083 10/1993
 WO WO 93/25439 A1 12/1993
 WO WO 94/22738 A1 10/1994
 WO WO 95/01289 A1 1/1995
 WO WO 95/06604 3/1995
 WO WO 96/26128 A1 8/1996
 WO WO 96/32340 A1 10/1996
 WO WO 2008/058294 A1 5/2008
 WO WO 2010/006629 A1 1/2010
 WO WO 2010/101852 A1 9/2010
 WO WO 2021/168417 A1 8/2021
 WO WO 2021/188751 A1 9/2021
 WO WO 2021/262858 A1 12/2021

OTHER PUBLICATIONS

Packaging Insights, available Nov. 21, 2019, [online], [site visited Aug. 25, 2022]. Available from internet, URL: <https://www.packaginginsights.com/news/the-cocacola-system-introduces-innovative-keelclip%E2%84%A2-packaging-technology-on-multipack-cans-in-europe-a-first-for-the-nartd-industry.html> (Year: 2019).
 International Search Report and Written Opinion for PCT/US2021/052279 dated Jan. 5, 2022.
 International Search Report and Written Opinion for PCT/US2021/052278 dated Jan. 5, 2022.
 International Search Report and Written Opinion for PCT/US2021/052272 dated Jan. 7, 2022.

(56)

References Cited

OTHER PUBLICATIONS

International Search Report and Written Opinion for PCT/US2021/052290 dated Jan. 21, 2022.
 U.S. Appl. No. 17/478,025, filed Sep. 17, 2021.
 U.S. Appl. No. 17/487,113, filed Sep. 28, 2021.
 U.S. Appl. No. 17/487,131, filed Sep. 28, 2021.
 U.S. Appl. No. 17/487,141, filed Sep. 28, 2021.
 U.S. Appl. No. 17/487,262, filed Sep. 28, 2021.
 European Search Report for EP 19 18 0436 dated Jan. 22, 2020.
 European Search Report for EP 19 18 0446 dated Feb. 3, 2020.
 European Search Report for EP 19 18 0453 dated Feb. 10, 2020.
 International Search Report and Written Opinion for PCT/US2019/034491 dated Sep. 19, 2019.
 International Search Report and Written Opinion for PCT/US2019/034490 dated Sep. 19, 2019.
 International Search Report and Written Opinion for PCT/US2019/034494 dated Sep. 19, 2019.
 International Search Report and Written Opinion for PCT/US2019/034489 dated Sep. 19, 2019.
 International Search Report and Written Opinion for PCT/US2019/034493 dated Sep. 20, 2019.
 European Search Report for EP 19 18 0460 dated Jan. 13, 2020.
 European Search Report for EP 19 18 0439 dated Jan. 10, 2020.
 U.S. Appl. No. 29/775,557, filed Mar. 24, 2021.
 U.S. Appl. No. 29/775,558, filed Mar. 24, 2021.
 U.S. Appl. No. 29/775,559, filed Mar. 24, 2021.
 U.S. Appl. No. 29/775,560, filed Mar. 24, 2021.
 U.S. Appl. No. 29/818,355, filed Dec. 8, 2021.
 U.S. Appl. No. 29/819,435, filed Dec. 15, 2021.
 U.S. Appl. No. 29/819,437, filed Dec. 15, 2021.
 U.S. Appl. No. 29/819,438, filed Dec. 15, 2021.
 U.S. Appl. No. 29/819,440, filed Dec. 15, 2021.
 U.S. Appl. No. 17/573,911, filed Jan. 12, 2022.
 International Search Report and Written Opinion for PCT/US2020/054205 dated Jan. 20, 2021.
 European Search Report for EP 20 21 5364 dated Jul. 1, 2021.

European Search Report for EP 20 21 5371 dated Jul. 1, 2021.
 European Search Report for EP 20 21 5399 dated Jul. 1, 2021.
 U.S. Appl. No. 16/829,346, filed Mar. 25, 2020.
 U.S. Appl. No. 16/937,043, filed Jul. 23, 2020.
 U.S. Appl. No. 29/735,178, filed May 19, 2020.
 U.S. Appl. No. 29/739,927, filed Jun. 30, 2020.
 U.S. Appl. No. 29/739,929, filed Jun. 30, 2020.
 U.S. Appl. No. 29/739,931, filed Jun. 30, 2020.
 U.S. Appl. No. 29/739,933, filed Jun. 30, 2020.
 U.S. Appl. No. 29/739,934, filed Jun. 30, 2020.
 International Search Report and Written Opinion for PCT/US2020/024614 dated Sep. 15, 2020.
 European Search Report for EP 20 16 8268 dated Oct. 2, 2020.
 International Search Report and Written Opinion for PCT/US2020/064472 dated Mar. 15, 2021.
 International Search Report and Written Opinion for PCT/US2020/064471 dated Mar. 29, 2021.
 International Search Report and Written Opinion for PCT/US2020/064473 dated Apr. 1, 2021.
 European Search Report for EP 20 20 533 dated Mar. 23, 2021.
 “Florida brewery unveils six-pack rings that spare sea turtles, not snare them,” by Thomas Leavy, CBSNews.com. Date posted: May 24, 2018. Site visited: Sep. 12, 2022. Available online: <https://www.cbsnews.com/news/florida-saltwater-brewery-non-plastic-six-pack-rings-spare-sea-turtles/> (Year: 2018).
 “Pepsi trials molded pulp alternative to plastic rings” in BeverageDaily.com. Date posted: Feb. 28, 2020. Site visited: Sep. 12, 2022. Available online: <https://www.beveragedaily.com/Article/2020/02/28/Pepsi-trials-molded-pulp-alternative-to-plastic-rings#> (Year: 2020).
 “Paperboard Can Handle Applicator,” as seen in Packaging World Online. Date first available: 2020. Site visited: Sep. 13, 2022. Available online: <https://www.packworld.com/news/sustainability/article/21202650/paperboard-can-handle-applicator> (Year: 2020).
 “The ‘Ecogrip’ Corrugated Bottle Carrier is a Plastic Alternative” in Trendhunter.com. Date published: Jan. 20, 2021. Site visited: Sep. 12, 2022. Available online: <https://www.trendhunter.com/trends/corrugated-bottle-carrier> (Year: 2021).

* cited by examiner

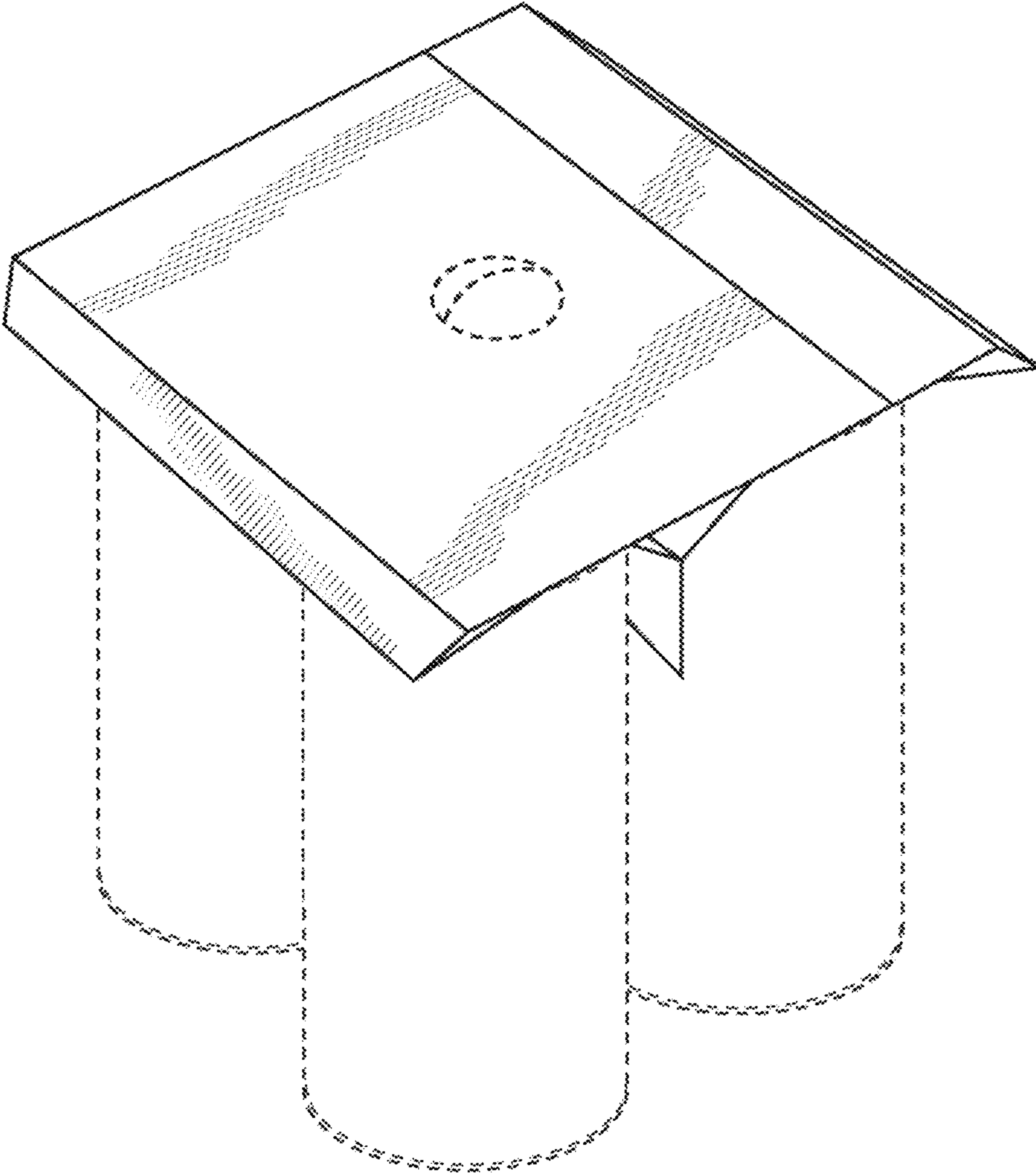


FIG. 1

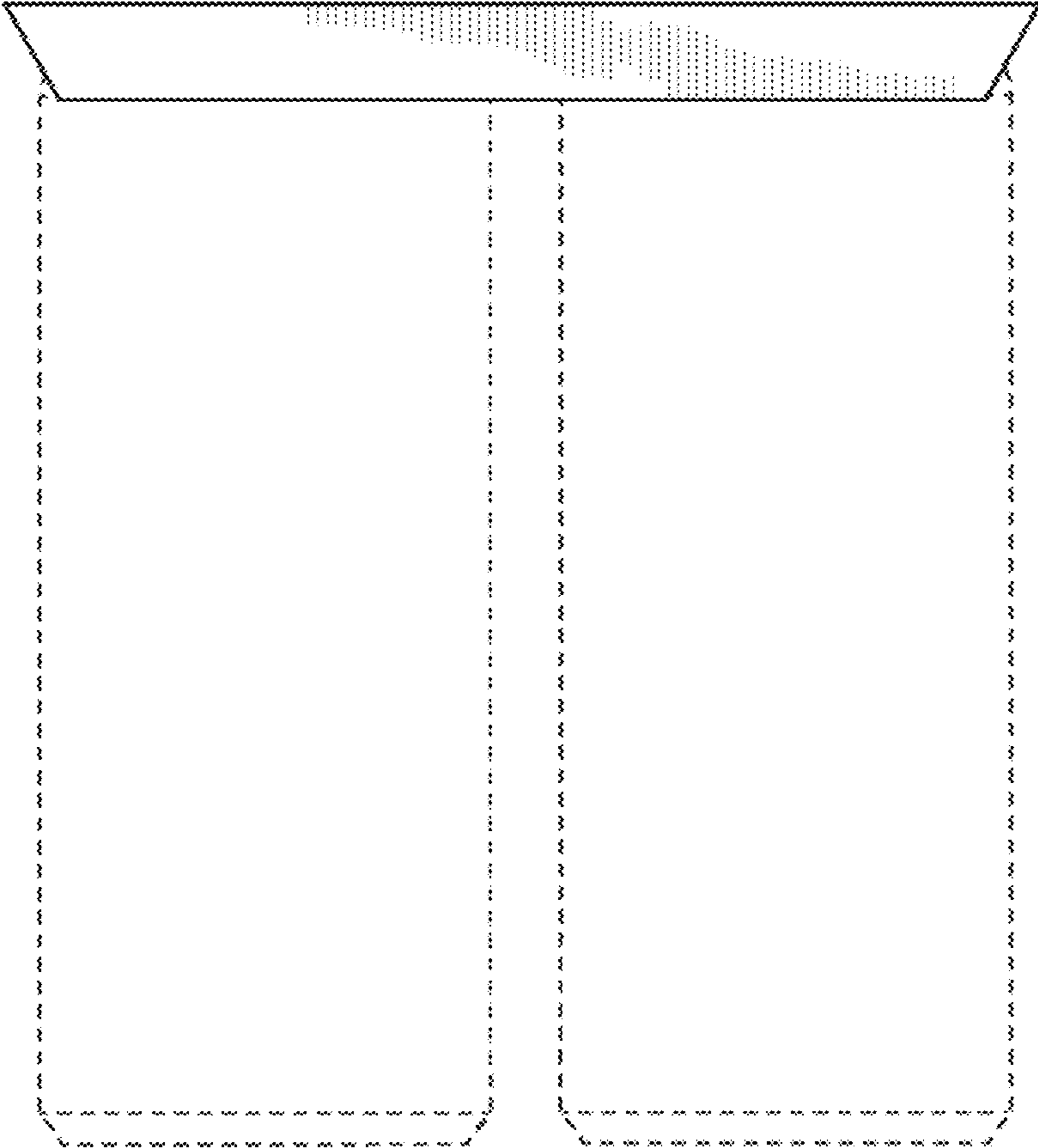


FIG. 2

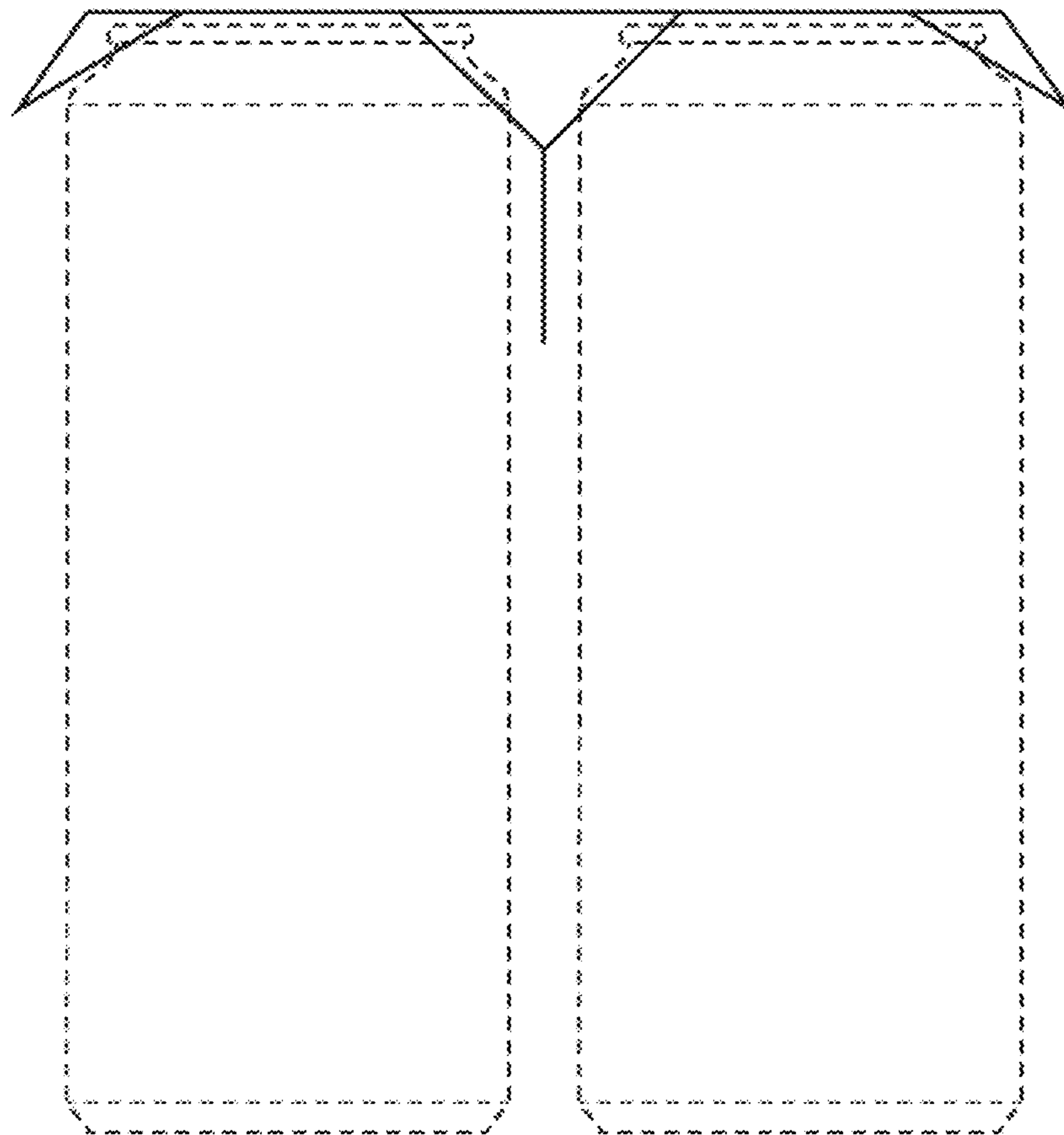


FIG. 3

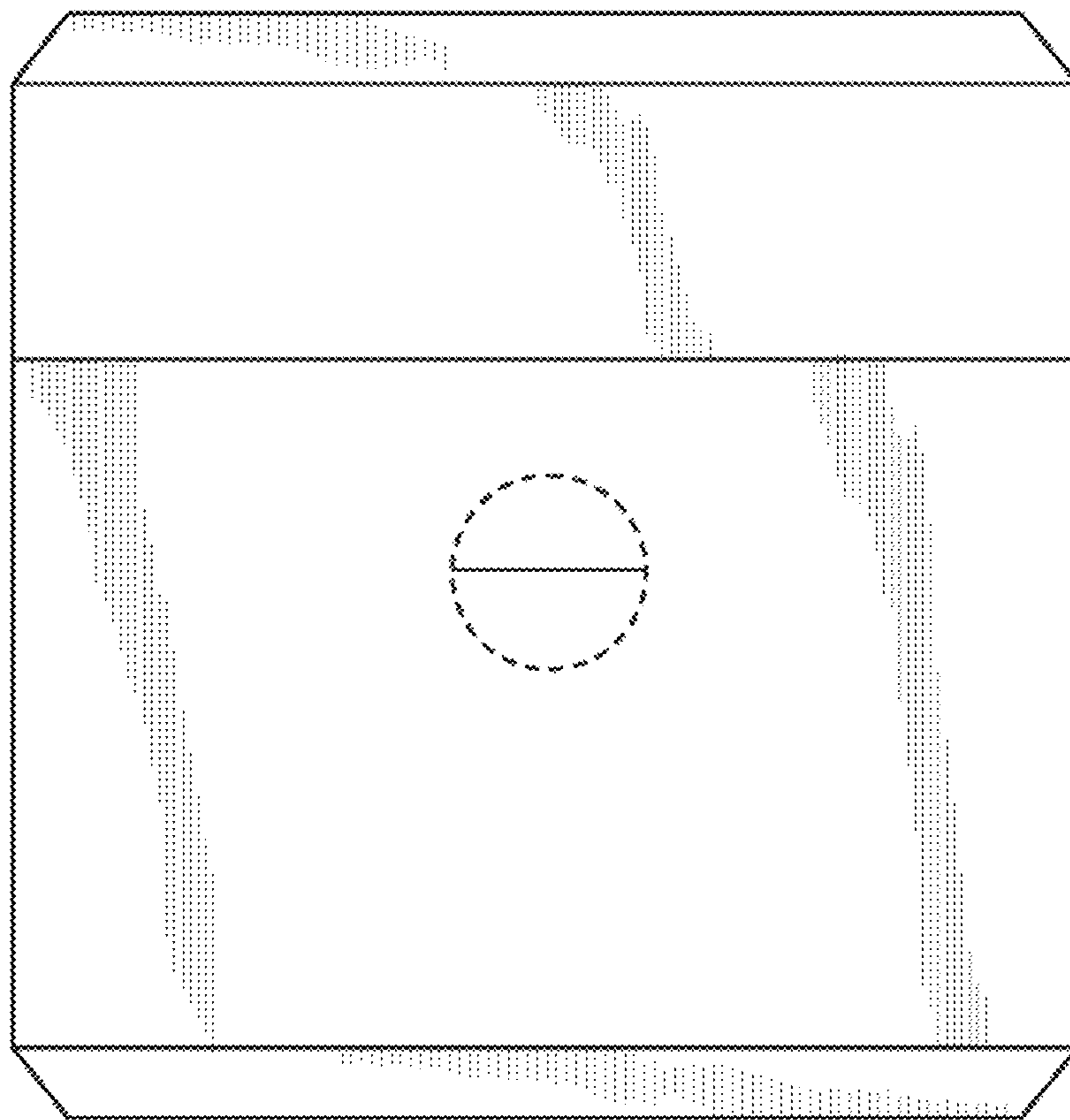


FIG. 4

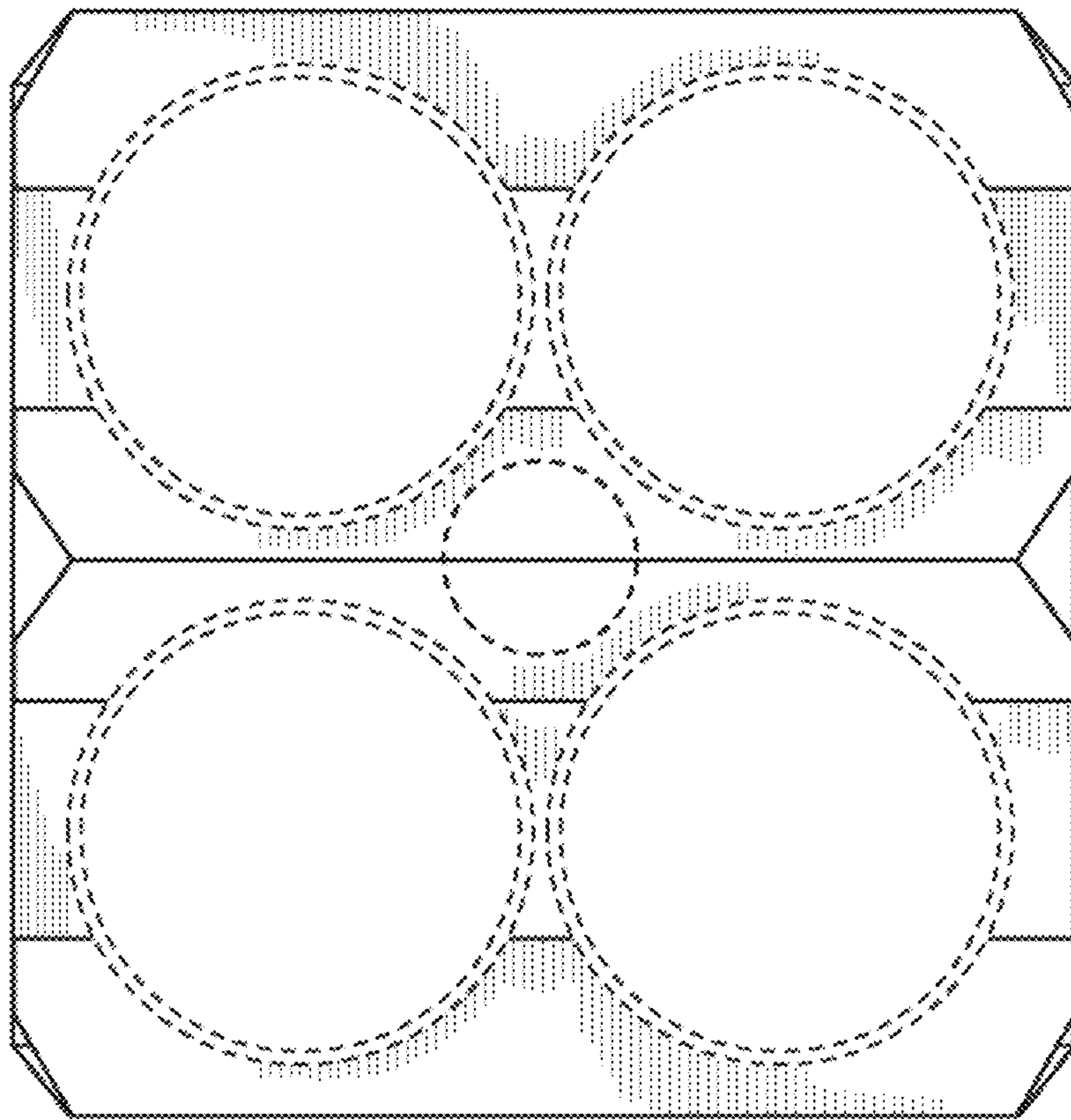


FIG. 5

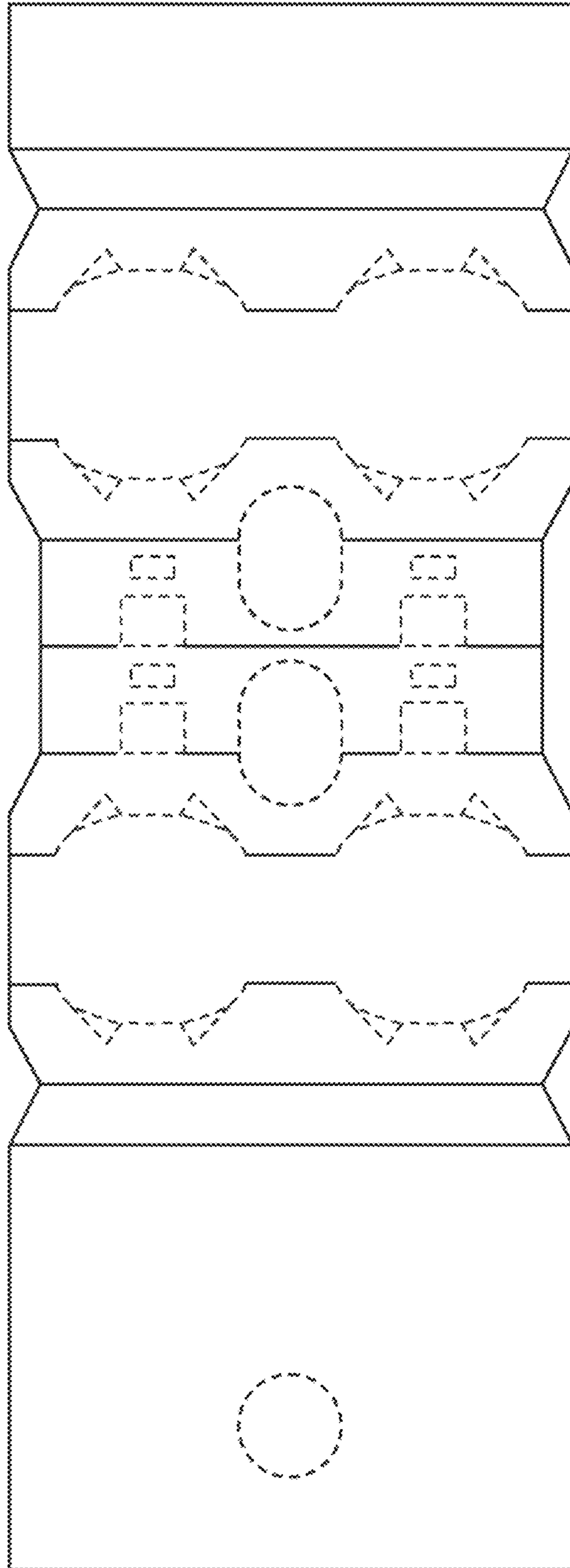


FIG. 6