



US00D984278S

(12) **United States Design Patent** (10) **Patent No.:** **US D984,278 S**
Savage et al. (45) **Date of Patent:** **** Apr. 25, 2023**

(54) **CONTAINER**
(71) Applicant: **Smoothie Inc.**, Berkeley, CA (US)
(72) Inventors: **Ryan Savage**, Teachey, NC (US);
Matthew Cote, Berkeley, CA (US);
Lauren Fraser, Berkeley, CA (US)
(73) Assignee: **Smoothie Inc.**, Berkeley, CA (US)
(**) Term: **15 Years**
(21) Appl. No.: **29/784,046**

D574,248 S 8/2008 Baraky et al.
D577,595 S * 9/2008 Lee D9/667
D652,682 S * 1/2012 Eyal D7/510
8,777,032 B2 7/2014 Biesecker et al.
8,807,359 B2 8/2014 Giraud et al.
8,915,393 B2 12/2014 Hayton et al.
9,150,339 B2 10/2015 Giraud et al.
9,187,220 B2 11/2015 Biesecker et al.
9,387,149 B2 7/2016 Jones et al.
9,456,663 B1 10/2016 Wheeler et al.
9,481,496 B2 11/2016 Cottle et al.
9,481,497 B1 11/2016 White
9,527,637 B2 12/2016 Habibi-Naini
9,567,141 B2 2/2017 Schneider et al.

(Continued)

(22) Filed: **May 17, 2021**
(51) **LOC (14) Cl.** **09-01**
(52) **U.S. Cl.**
USPC **D9/723**
(58) **Field of Classification Search**
USPC D9/522, 523, 529, 549, 558, 572, 573,
D9/724, 723
CPC B65D 1/02; B65D 1/0223; B65D 1/023;
B65D 1/0261; B65D 2501/0009; B65D
2501/0081; B65D 2501/009
See application file for complete search history.

FOREIGN PATENT DOCUMENTS

CA 2637679 A1 7/2007
CA 3043607 A1 5/2018

(Continued)

Primary Examiner — Janice Patyk
(74) *Attorney, Agent, or Firm* — Procopio, Cory,
Hargreaves & Savitch LLP

(57) **CLAIM**

The ornamental design for a container, as shown and described.

(56) **References Cited**

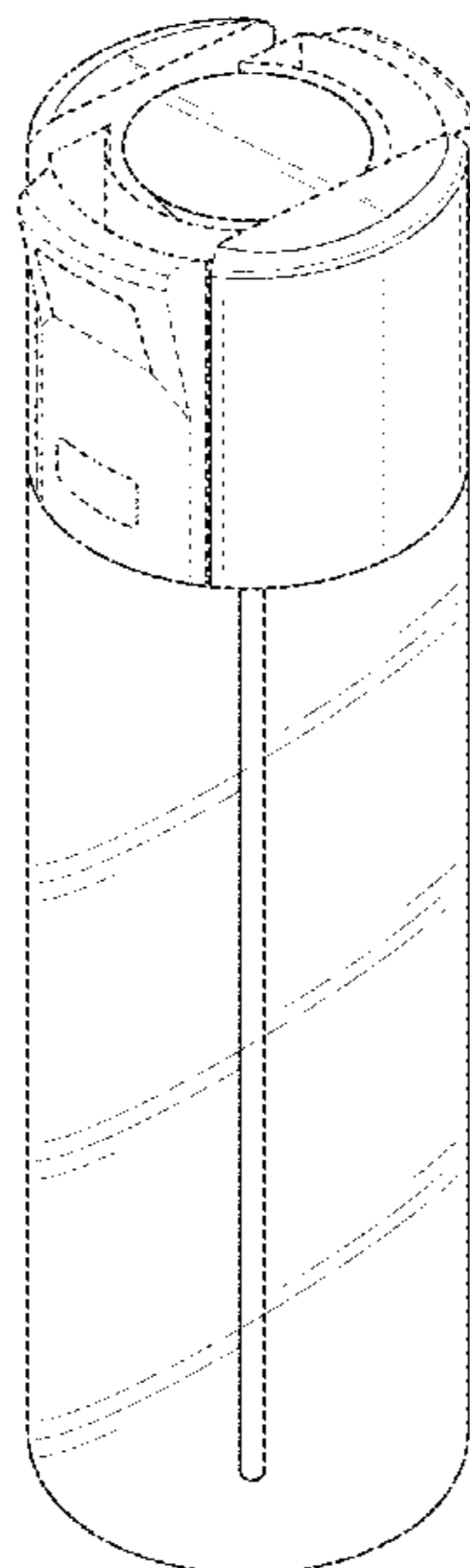
U.S. PATENT DOCUMENTS

3,992,116 A 11/1976 Fomby
D248,373 S * 7/1978 Allen D9/518
5,230,433 A 7/1993 Hamilton et al.
D349,237 S * 8/1994 Hall D9/558
D416,793 S 11/1999 Faughey et al.
D438,376 S * 3/2001 Marshall D3/257
6,202,869 B1 3/2001 Sullivan
D447,418 S * 9/2001 Bezek D9/504
D451,810 S * 12/2001 Weinstock D9/524
D497,778 S * 11/2004 Rich D9/503
D513,385 S 1/2006 Garcia et al.
D536,980 S 2/2007 Smith et al.
D554,508 S * 11/2007 YunFu D9/520

DESCRIPTION

FIG. 1 illustrates a front view of a container, showing our new design;
FIG. 2 illustrates a rear view thereof;
FIG. 3 illustrates a left view thereof;
FIG. 4 illustrates a right view thereof;
FIG. 5 illustrates a top view thereof;
FIG. 6 illustrates a bottom view thereof; and,
FIG. 7 illustrates a perspective view thereof.
The broken lines in the figures illustrate the portions of the container and form no part of the claimed design.

1 Claim, 6 Drawing Sheets



(56)

References Cited

U.S. PATENT DOCUMENTS

9,617,047 B2 4/2017 Goettke et al.
 9,771,190 B2 9/2017 Piscopo
 9,889,976 B2 2/2018 Miller et al.
 9,889,977 B2 2/2018 Piscopo
 9,896,250 B2 2/2018 Minnette et al.
 9,926,114 B2 3/2018 Eberlein
 9,932,156 B2 4/2018 Baker
 9,950,844 B2 4/2018 Barber et al.
 10,011,406 B2 7/2018 Daley et al.
 10,124,941 B2 11/2018 Sibley et al.
 10,159,627 B2 12/2018 Milante
 D838,141 S * 1/2019 Bertsch D9/503
 D844,440 S 4/2019 Allen, III
 D857,509 S 8/2019 Staab et al.
 10,442,587 B2 10/2019 Daley et al.
 D867,885 S 11/2019 Luu et al.
 10,577,152 B2 3/2020 Batzel et al.
 10,597,205 B2 3/2020 Sibley et al.
 10,618,707 B2 4/2020 Straughan
 D885,906 S 6/2020 Griffis
 D887,843 S 6/2020 Smith et al.

10,676,258 B2 6/2020 Lee et al.
 10,703,545 B1 7/2020 Miceli et al.
 D892,624 S 8/2020 Son et al.
 10,737,853 B2 8/2020 Giraud et al.
 10,766,674 B2 9/2020 Agrawal et al.
 10,799,424 B2 10/2020 Knobel et al.
 10,800,584 B2 10/2020 Giraud et al.
 D901,304 S * 11/2020 Spaulding D9/549
 10,827,817 B2 11/2020 Chevalier
 10,829,276 B2 11/2020 Hhm et al.
 D903,495 S 12/2020 Chou
 2002/0088825 A1 7/2002 Laverdure
 2007/0187431 A1 8/2007 Manker
 2018/0361048 A1 12/2018 Scarpaci et al.
 2020/0039707 A1 2/2020 Kachian et al.

FOREIGN PATENT DOCUMENTS

EP 624139 A1 11/1994
 WO 2007016249 A2 2/2007
 WO 2008048606 A2 4/2008
 WO 2008154575 A1 12/2008
 WO 2014204890 A1 12/2014

* cited by examiner

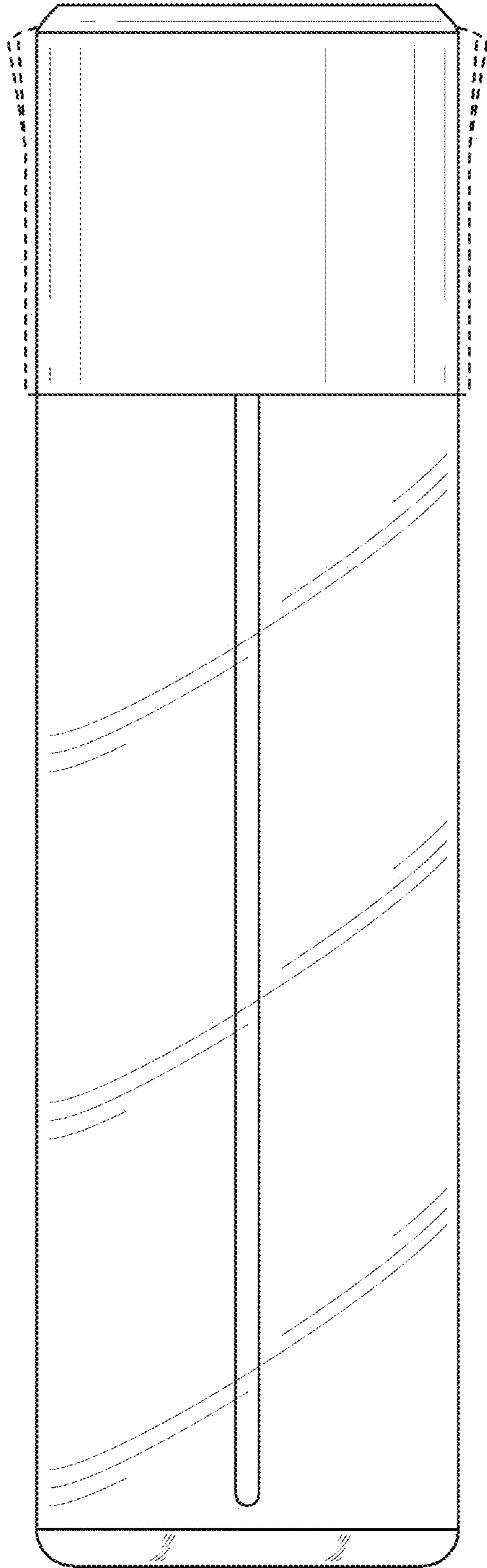


FIG. 1

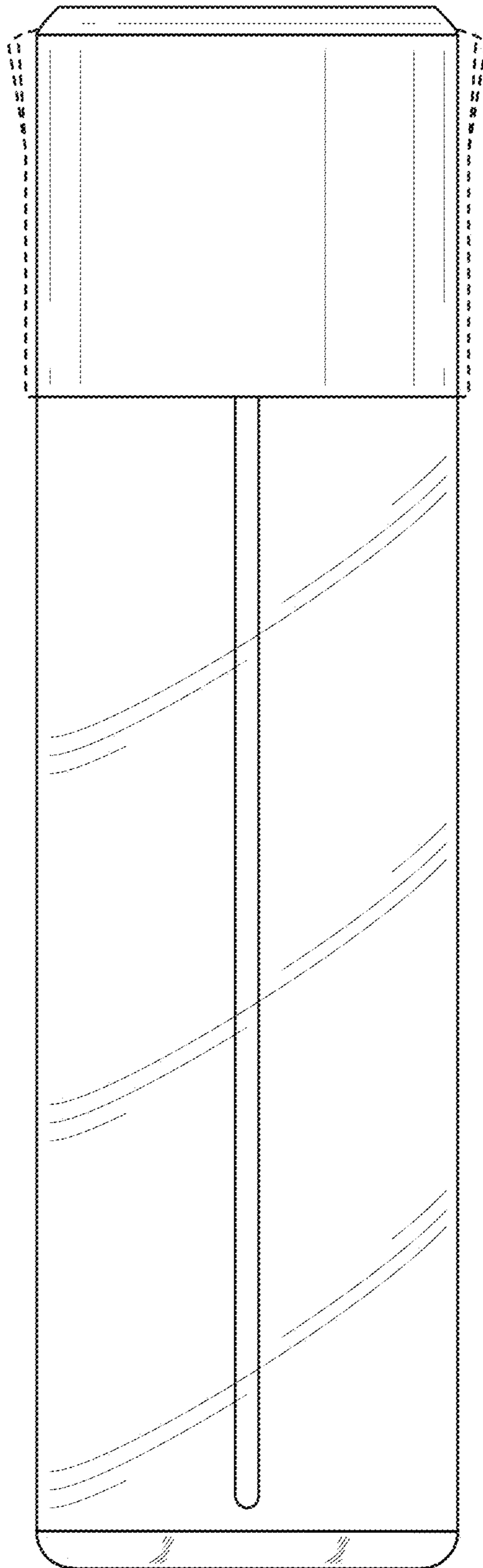


FIG. 2

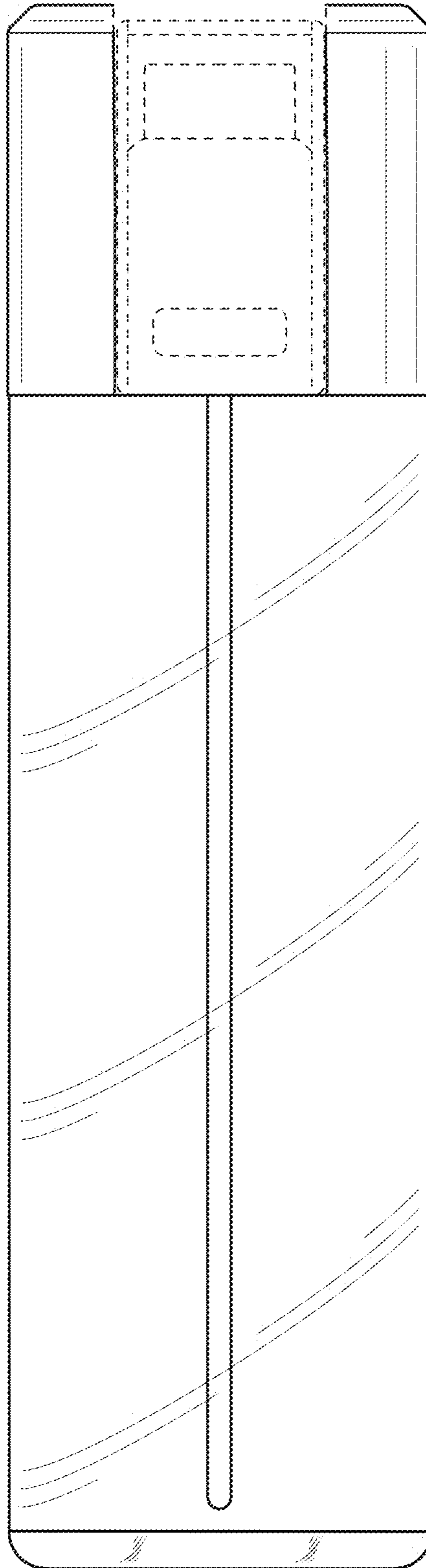


FIG. 3

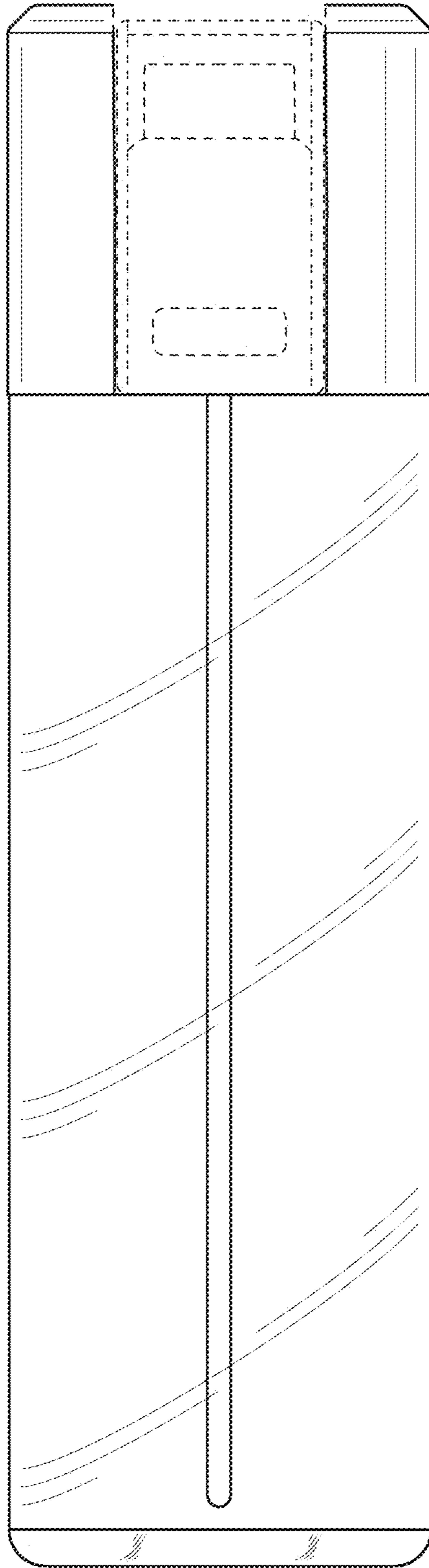


FIG. 4

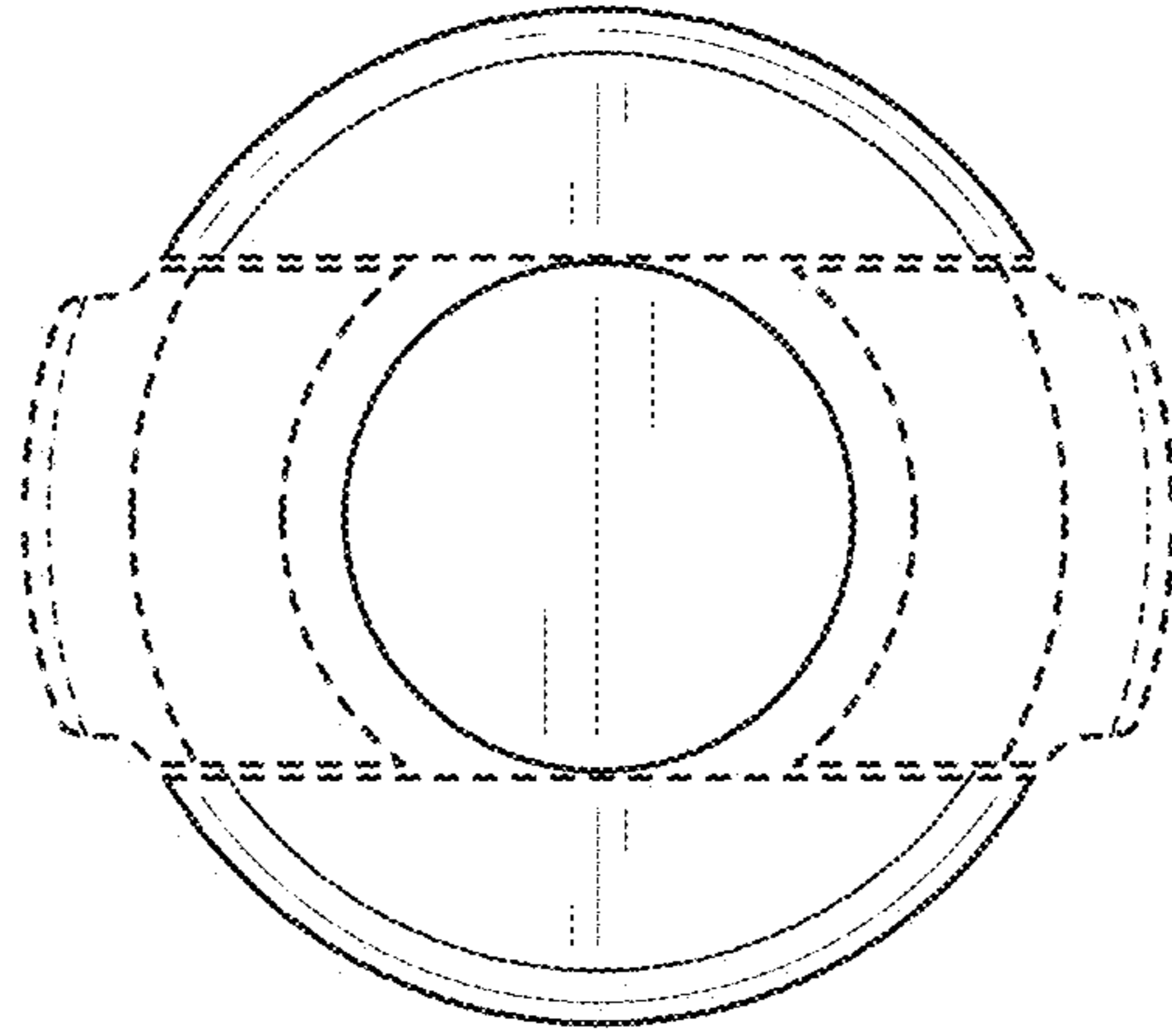


FIG. 5

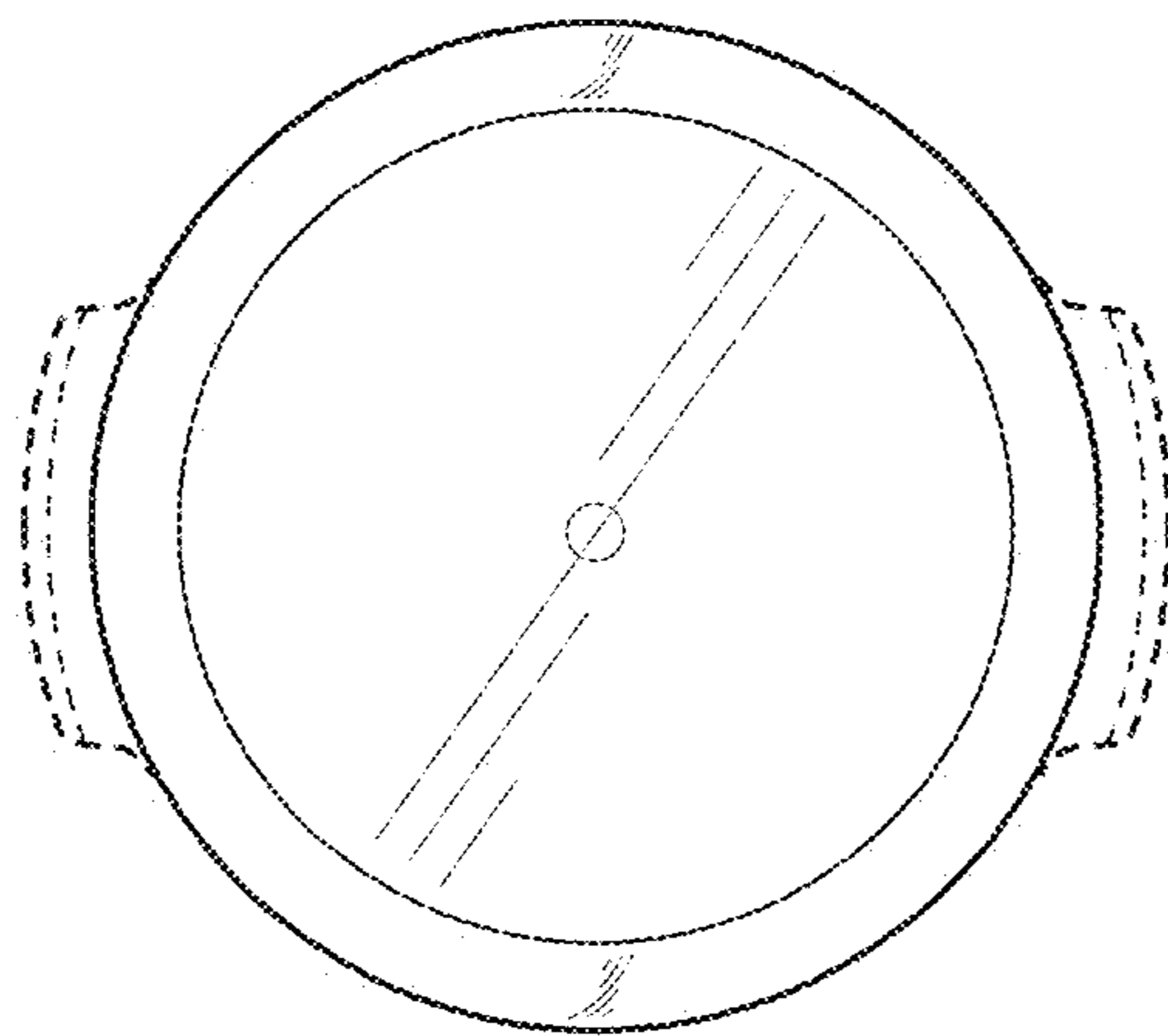


FIG. 6

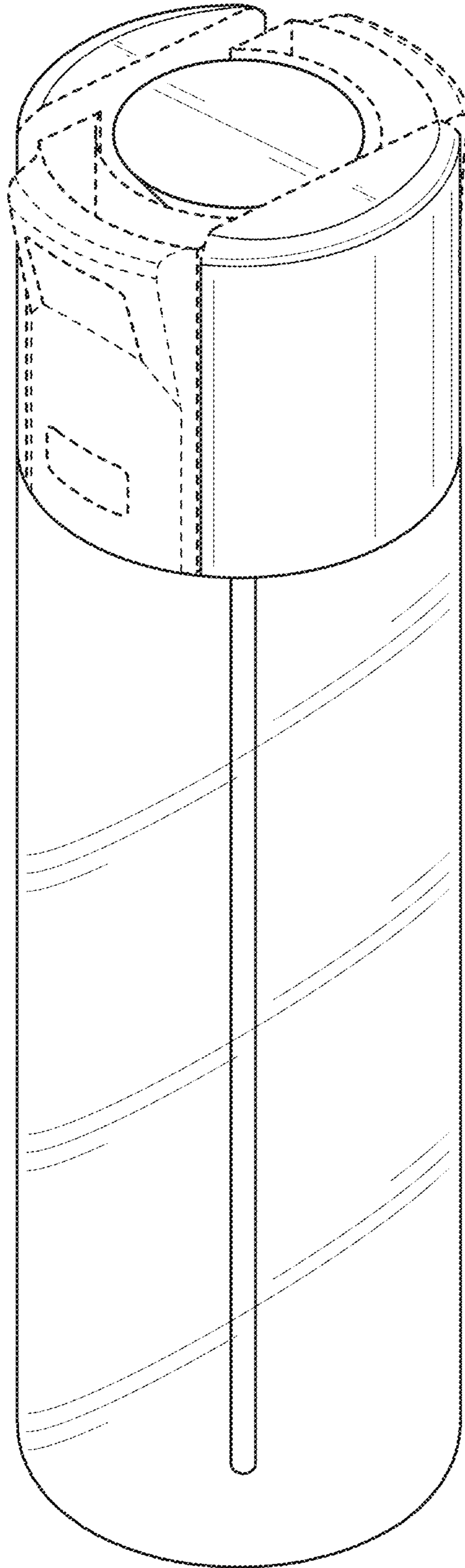


FIG. 7

UNITED STATES PATENT AND TRADEMARK OFFICE
CERTIFICATE OF CORRECTION

PATENT NO. : D984,278 S
APPLICATION NO. : 29/784046
DATED : April 25, 2023
INVENTOR(S) : Ryan Savage et al.

Page 1 of 1

It is certified that error appears in the above-identified patent and that said Letters Patent is hereby corrected as shown below:

On the Title Page

Change Item (73) Assignee to:
--Smoothee, Inc., Berkeley, CA (US)--

Signed and Sealed this
Third Day of October, 2023
Katherine Kelly Vidal

Katherine Kelly Vidal
Director of the United States Patent and Trademark Office