



US00D984271S

(12) **United States Design Patent** (10) **Patent No.:** **US D984,271 S**  
**Aubin** (45) **Date of Patent:** **\*\* Apr. 25, 2023**

(54) **STACKABLE CONTAINER WITH DOUBLE TOP HANDLE**

(71) Applicant: **Regent Aubin**, Candiac (CA)  
(72) Inventor: **Regent Aubin**, Candiac (CA)  
(\*\*) Term: **15 Years**

(21) Appl. No.: **29/773,562**

(22) Filed: **Mar. 10, 2021**

(51) **LOC (14) Cl.** ..... **09-01**

(52) **U.S. Cl.**  
USPC ..... **D9/542**

(58) **Field of Classification Search**

USPC ..... D9/434, 435, 447, 454, 499, 500, 516,  
D9/520, 521, 525, 527, 528, 529, 542,  
D9/544, 549-558, 572, 575, 723-724;  
D3/202, 215, 316; D7/509, 510, 590,  
D7/608

CPC ..... B65D 35/28; B65D 35/04; B65D 35/08;  
B65D 35/36; B65D 35/38; B65D 5/001;  
B65D 2543/00296; B65D 2543/00685;  
B65D 2543/00555; B65D 79/005; B65D  
25/42; B65D 1/04; B65D 21/0231; B65D  
81/3205; B65D 1/40; B65D 51/18; A01K  
27/00

See application file for complete search history.

(56) **References Cited**

**U.S. PATENT DOCUMENTS**

D202,660 S	*	10/1965	Dike	.....	D9/527
D235,007 S	*	4/1975	Braun	.....	D9/558
D258,866 S	*	4/1981	Houseman	.....	D9/742
D282,244 S	*	1/1986	Santoiemmo	.....	D9/543
D428,341 S	*	7/2000	Boutin	.....	D9/520
D454,628 S	*	3/2002	Basaganas	.....	D23/366
D528,425 S	*	9/2006	Van Dorin	.....	D9/527
D604,619 S	*	11/2009	Tebe	.....	D9/566
D609,102 S	*	2/2010	Matlin	.....	D9/530
D621,712 S	*	8/2010	Tomas Vilarrasa	.....	D9/543
D648,225 S	*	11/2011	Peng	.....	D9/415
D668,546 S	*	10/2012	Maas	.....	D9/533

(Continued)

**OTHER PUBLICATIONS**

AquaBrick® Water & Food Stackable Storage Containers—2 Pack (AquaBrick-57053). Online, published date unknown. Retrieved on May 23, 2022 from URL:[https://www.survivalmetrics.com/store/Item/id-aquabrick-water-food-storage-containers-stackable-bricks.\\*](https://www.survivalmetrics.com/store/Item/id-aquabrick-water-food-storage-containers-stackable-bricks.*)

*Primary Examiner* — Omeed Agilee

(74) *Attorney, Agent, or Firm* — Benoit & Cote Inc.; Charles-Andre Caron; Mathieu Audet

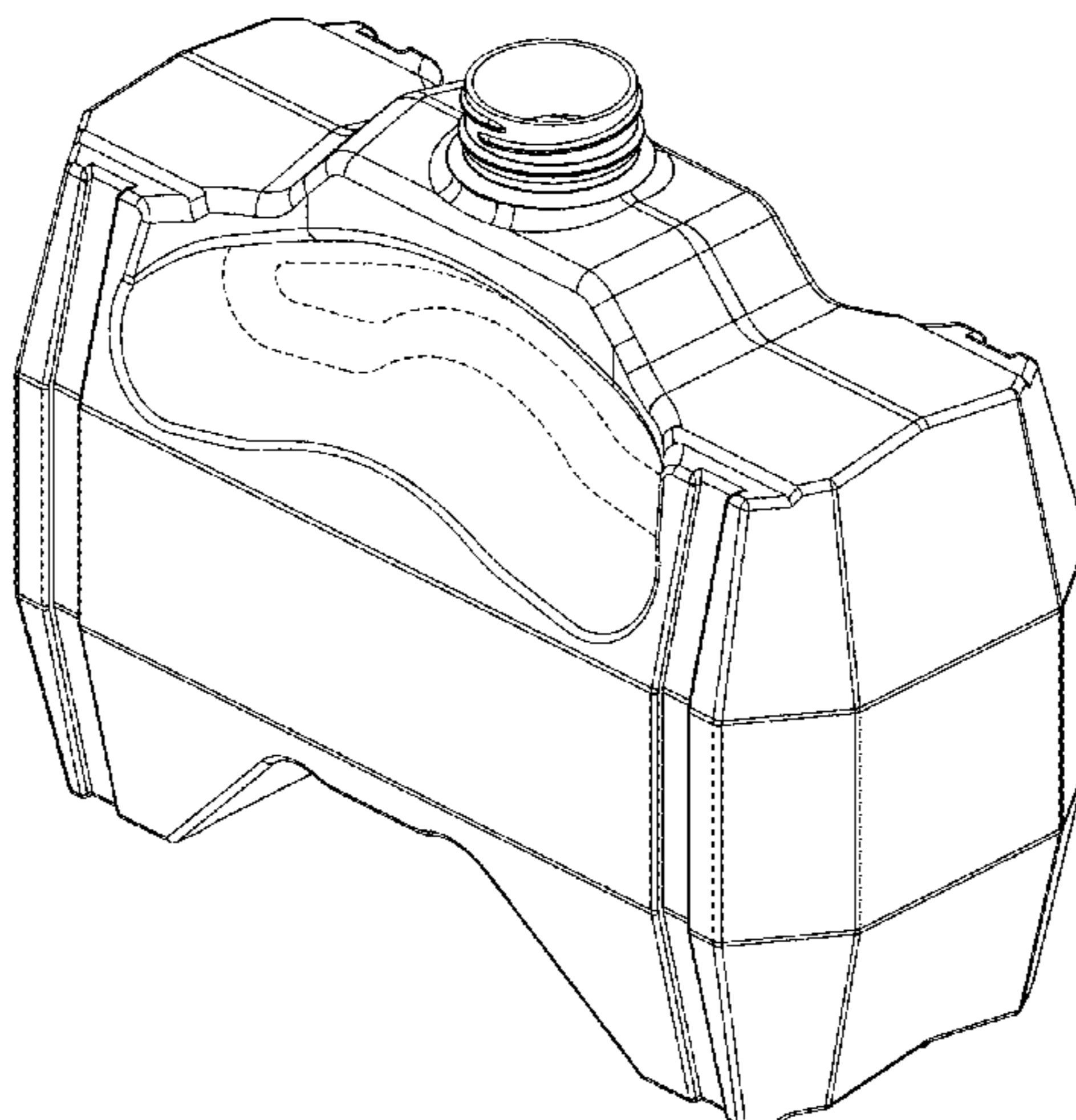
(57) **CLAIM**

I claim the ornamental design for a stackable container with double top handle, as shown and described.

**DESCRIPTION**

FIG. 1 is a perspective view from the top of a stackable container with double top handle;  
FIG. 2 is a perspective view from the bottom of the stackable container with double top handle;  
FIG. 3 is a front elevation view of the stackable container with double top handle of FIG. 1;  
FIG. 4 is a side elevation view of one side of the stackable container with double top handle of FIG. 1;  
FIG. 5 is a side elevation view of the other side of the stackable container with double top handle of FIG. 1;  
FIG. 6 is a top plan view of the stackable container with double top handle of FIG. 1;  
FIG. 7 is a bottom plan view of the stackable container with double top handle of FIG. 1; and,  
FIG. 8 is a rear elevation view of the stackable container with double top handle of FIG. 1.  
The dashed lines, the areas within them, and the unshaded areas bounded by broken lines and solid lines depict portions of the stackable container with double top handle that form no part of the claimed design.

**1 Claim, 8 Drawing Sheets**



(56)

**References Cited**

U.S. PATENT DOCUMENTS

D687,922 S \* 8/2013 Jung ..... D23/211.1  
D796,962 S \* 9/2017 Gonzalez Rodriguez ..... D9/544  
D927,308 S \* 8/2021 Aubin ..... D9/527

\* cited by examiner

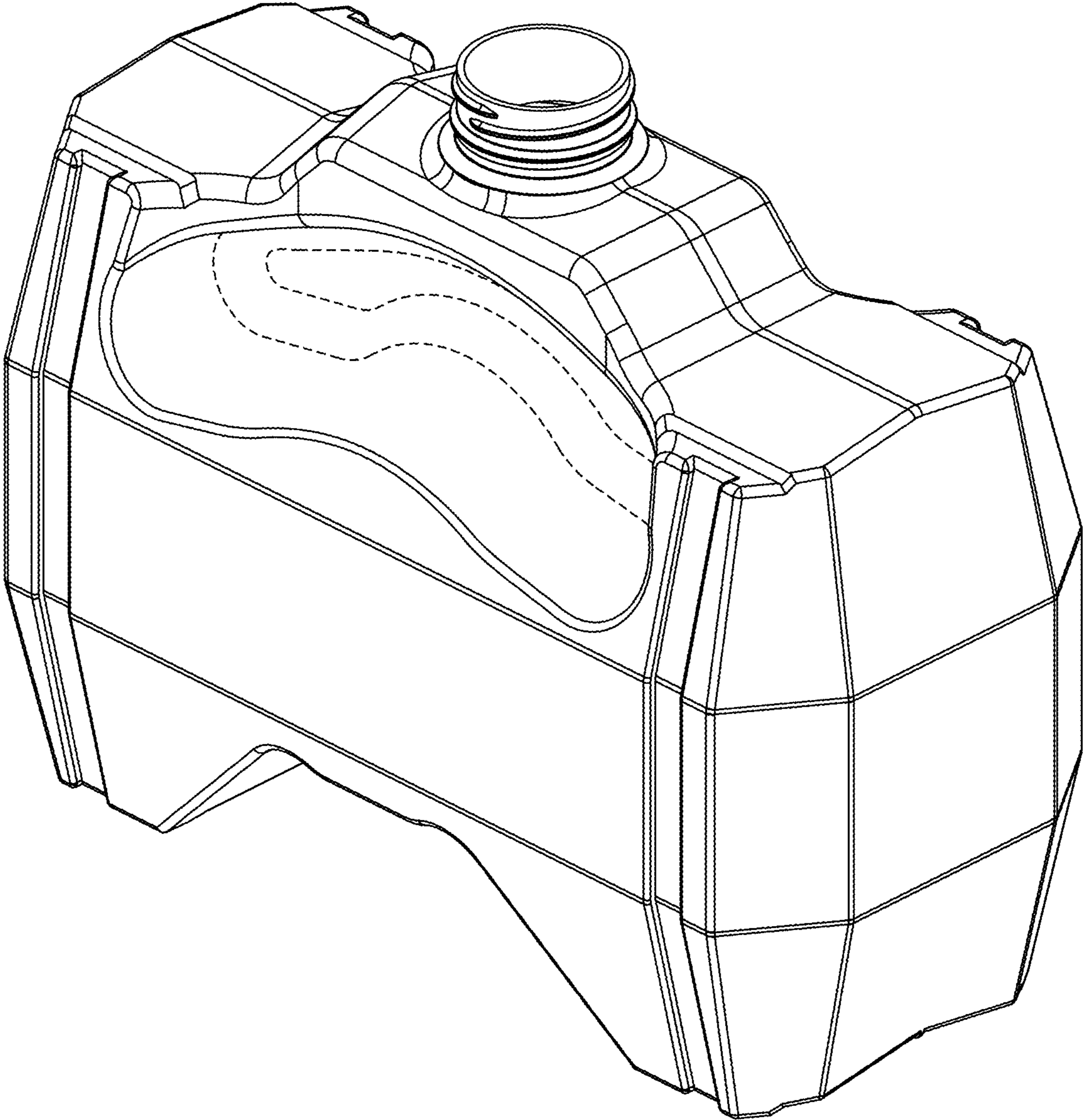


Fig. 1

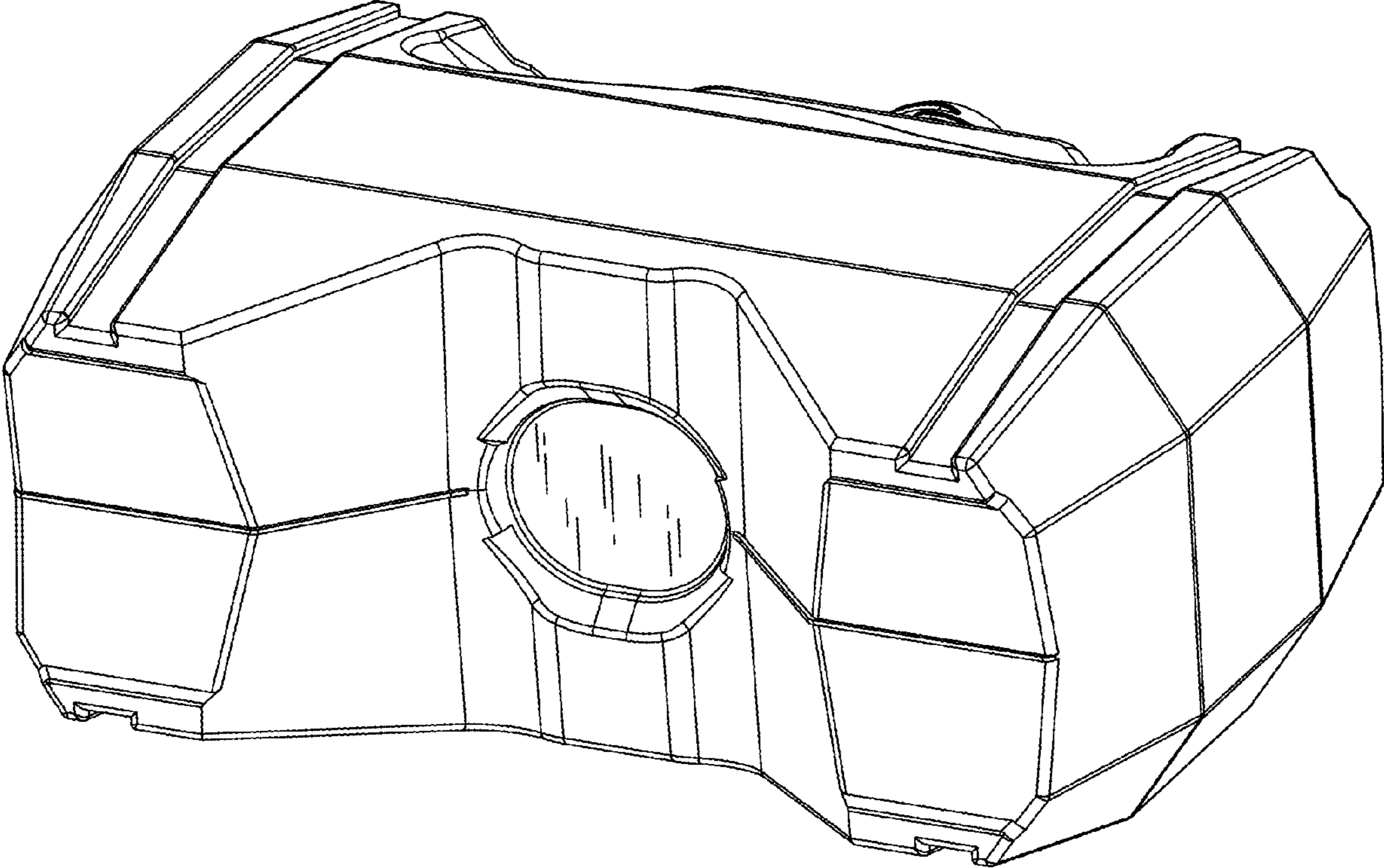


Fig. 2

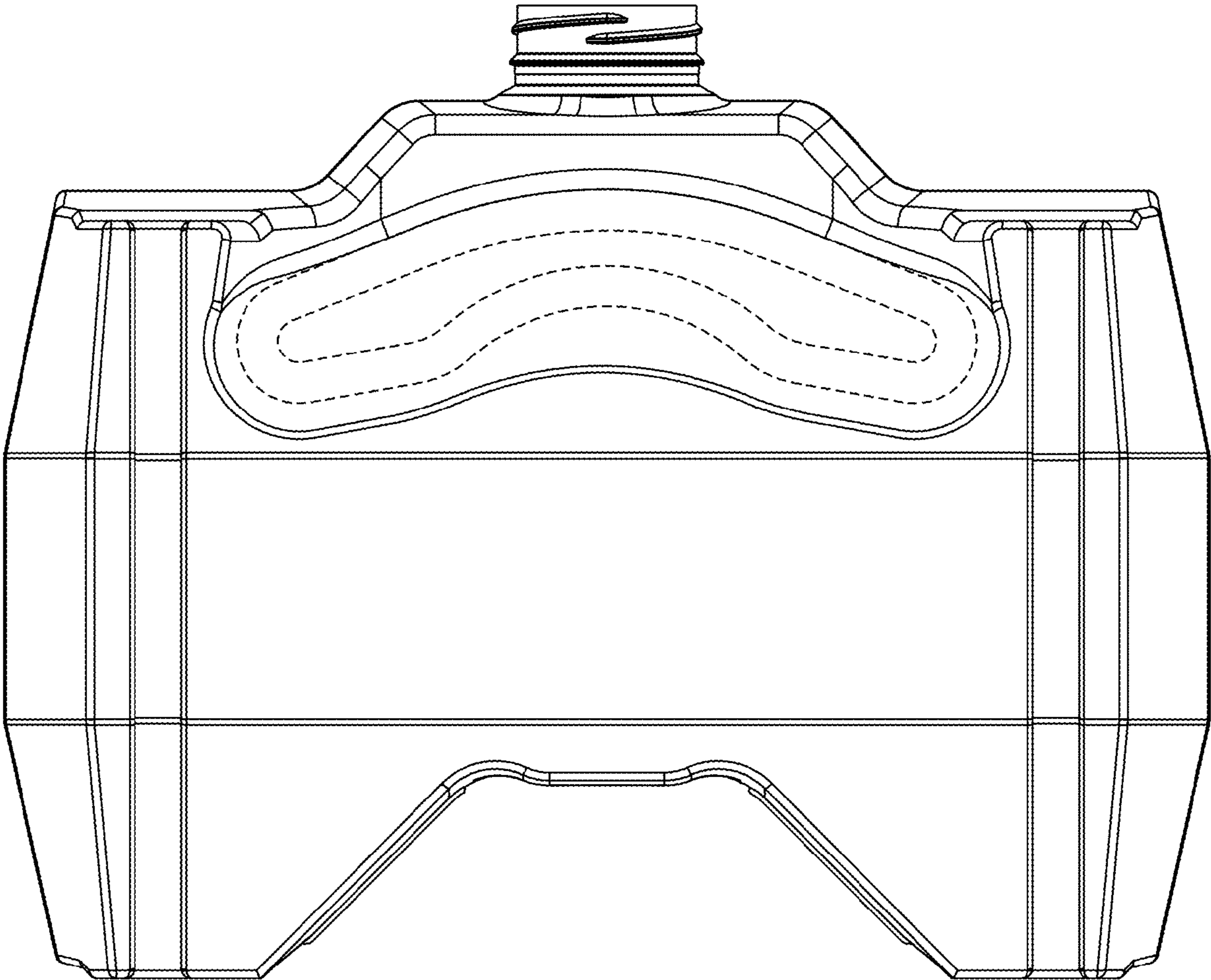


Fig. 3

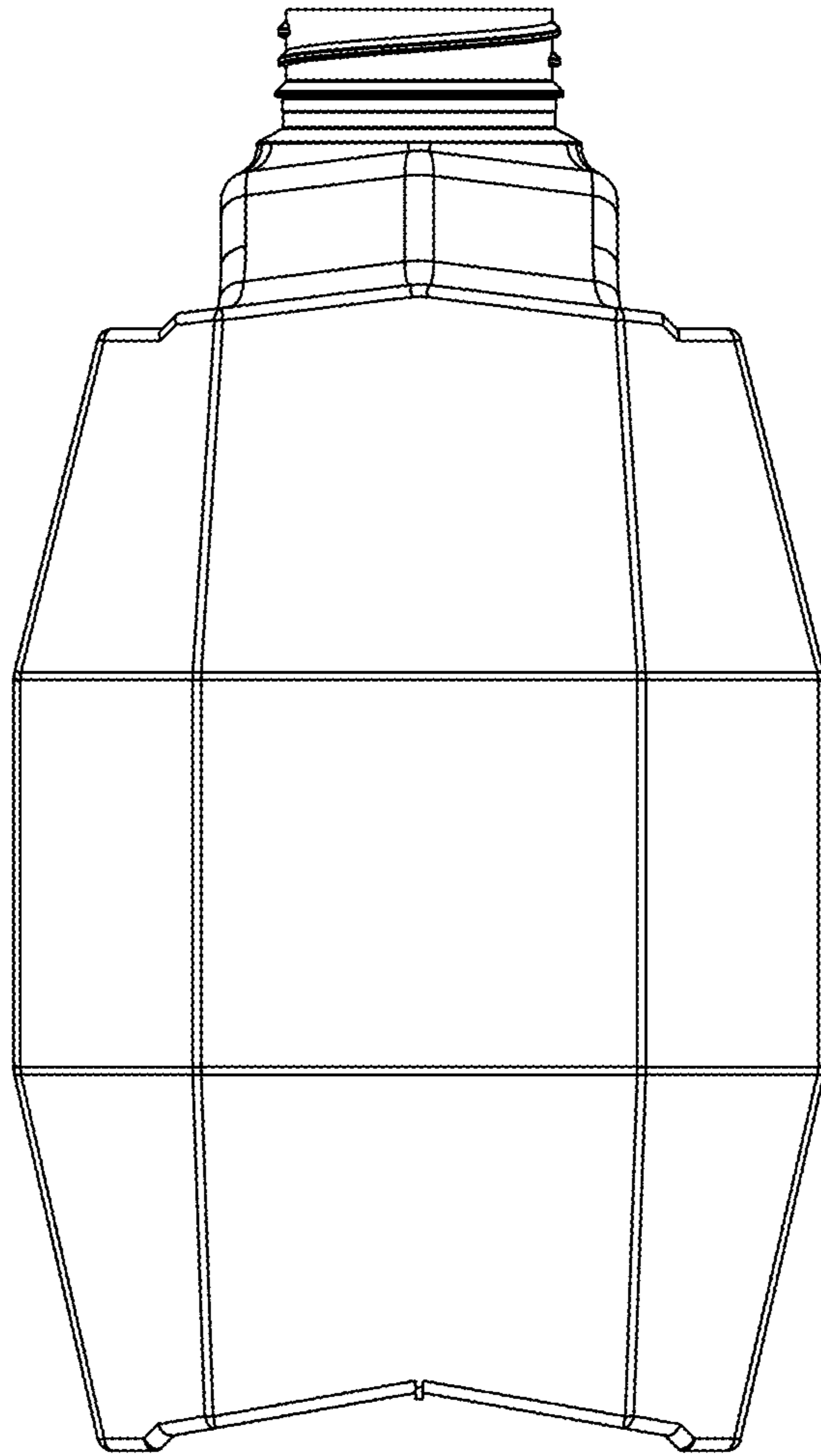


Fig. 4

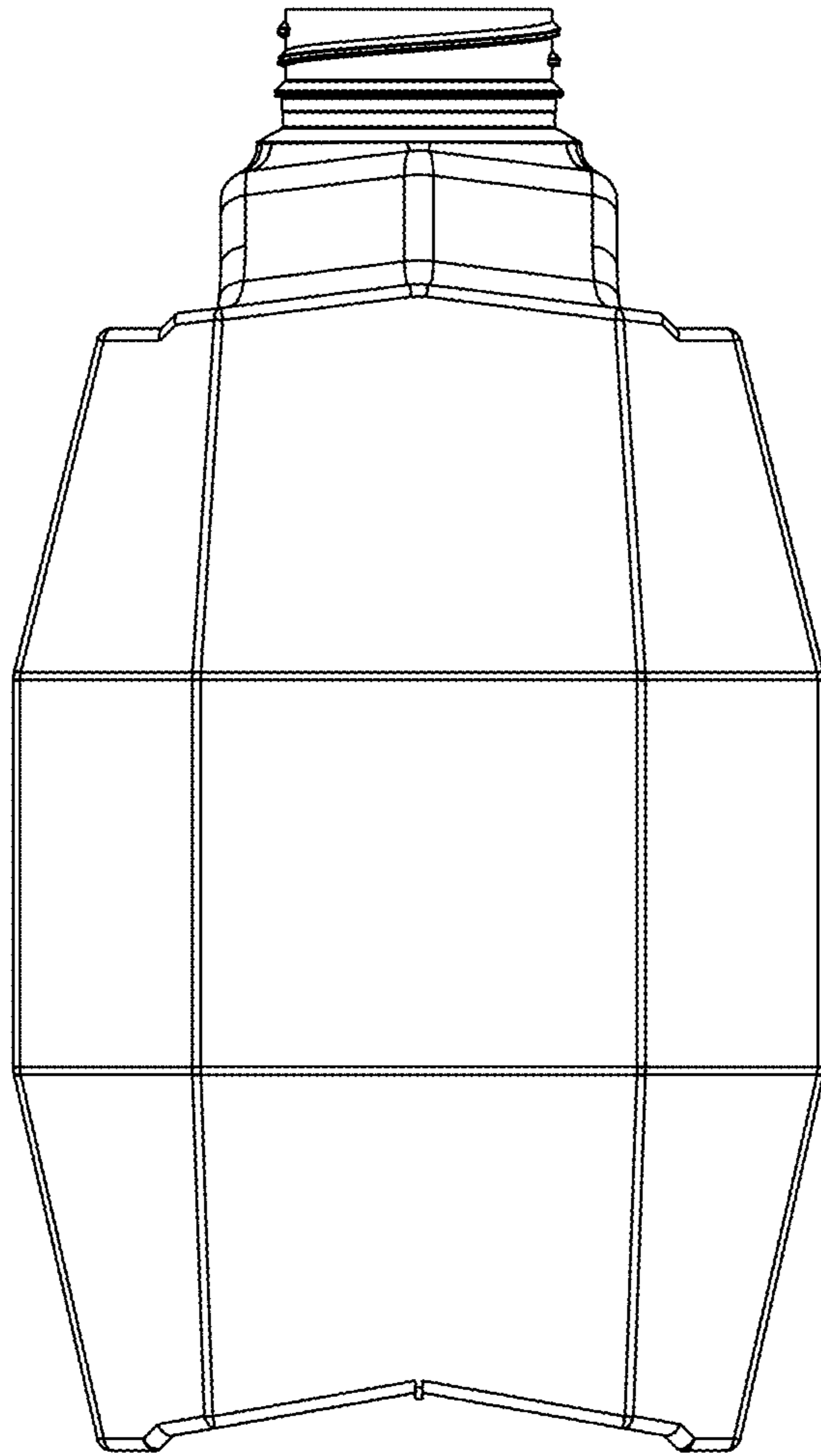


Fig. 5

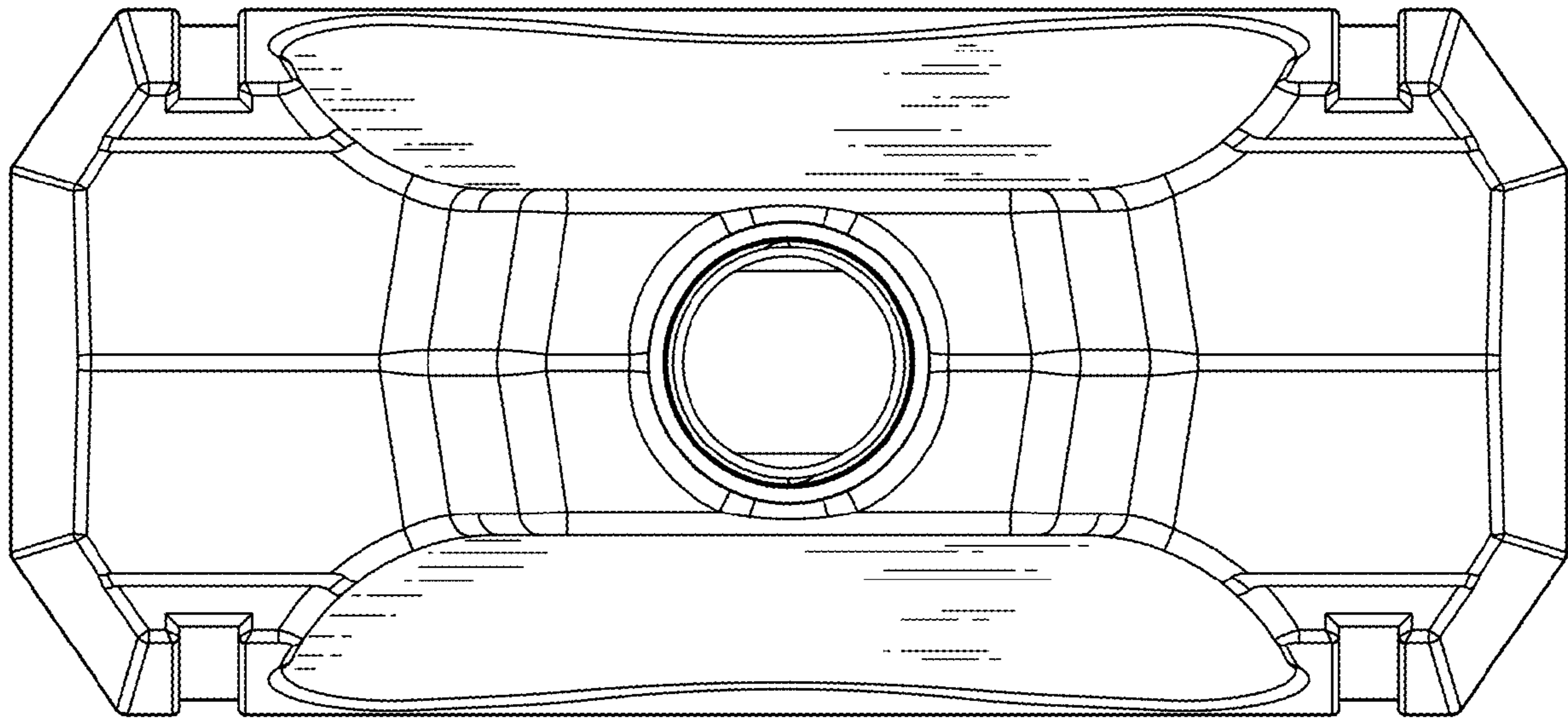


Fig. 6



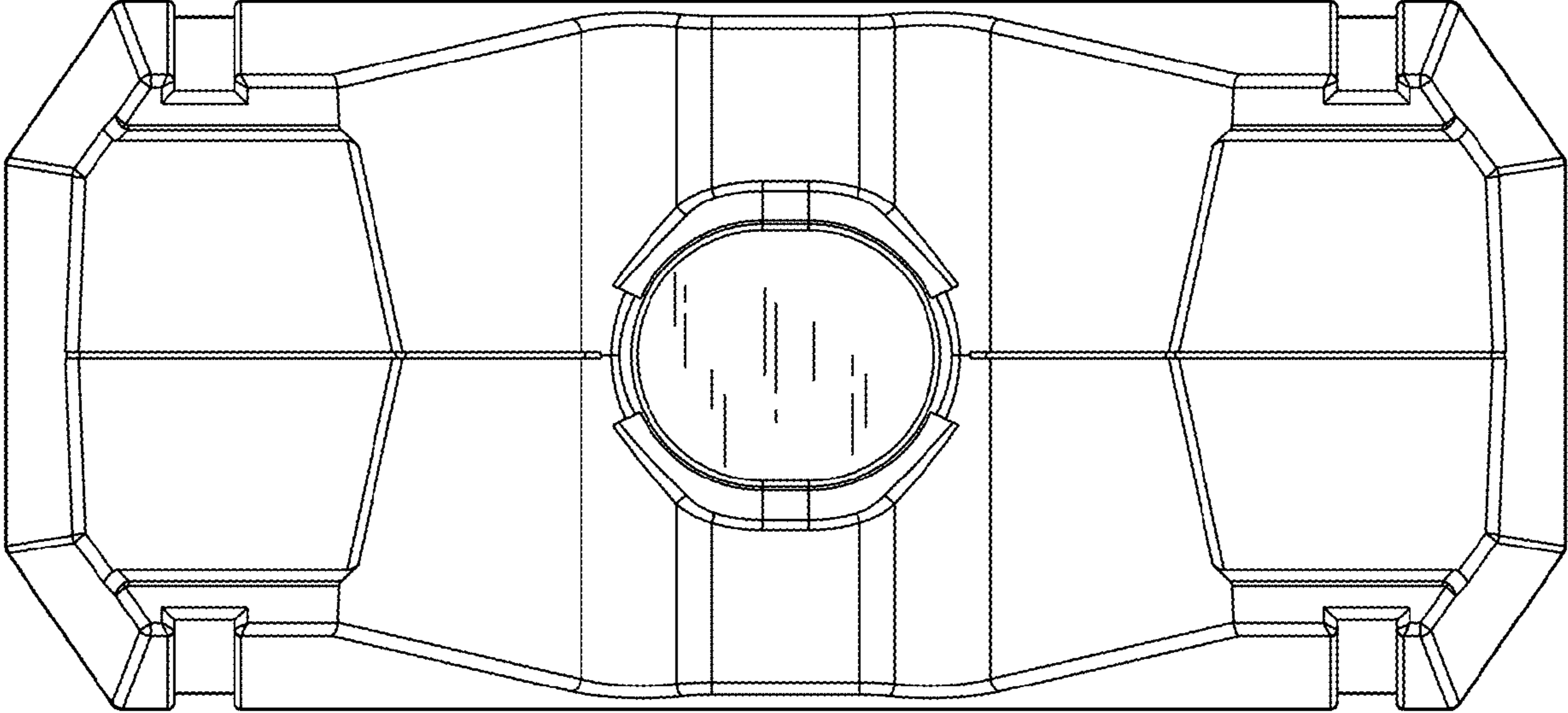


Fig. 7

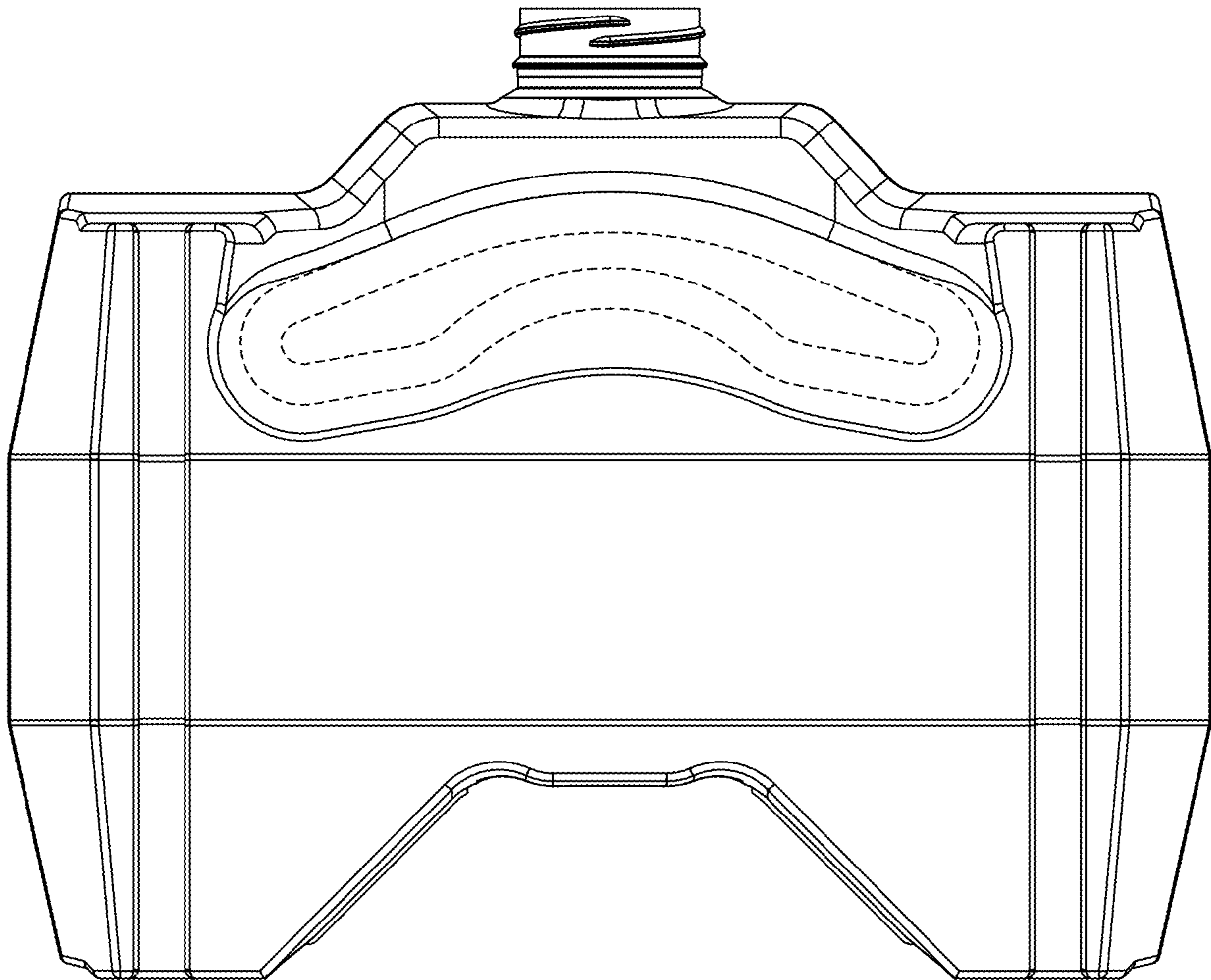


Fig. 8