



US00D984269S

(12) **United States Design Patent**
Yen

(10) **Patent No.:** **US D984,269 S**

(45) **Date of Patent:** **** Apr. 25, 2023**

(54) **BOTTLE**

(71) Applicant: **CONG TY CO PHAN HANG TIEU**
DUNG MASAN, Hi Chi Minh (VN)

(72) Inventor: **Nguyen Hoang Yen, Hi Chi Minh (CL)**

(**) Term: **15 Years**

(21) Appl. No.: **29/780,723**

(22) Filed: **Apr. 26, 2021**

(51) **LOC (14) Cl.** **09-03**

(52) **U.S. Cl.**
USPC **D9/500**

(58) **Field of Classification Search**
USPC D9/434, 435, 436, 438, 439, 440, 441,
D9/445, 447, 448, 449, 450, 500, 501,
D9/502, 503, 504, 505, 516, 537, 538,
D9/539, 540, 541, 542, 543, 544, 545,
D9/549, 550, 551, 552, 560, 563, 572,
D9/573, 574, 575, 715, 719, 738;
D7/300, 300.1, 509, 510, 511, 523, 608
CPC B21D 22/28; B21D 51/26; B21D 51/2615;
B29C 49/54; B29D 23/001; B65D 1/00;
B65D 1/0207; B65D 1/0276; B65D
1/0223; B65D 1/023; B65D 1/0246;
B65D 1/40; B65D 23/00; B65D 23/001;
B65D 23/102; B65D 41/04; B65D
79/0084; B65D 81/00; B65D 2501/00;
B65D 2501/0009; B65D 2501/0081;
F25D 3/08; Y10S 215/00; Y10S 264/918
See application file for complete search history.

D373,729 S * 9/1996 Protheroe D9/520
6,123,211 A * 9/2000 Rashid B29D 23/001
215/12.2
D518,724 S * 4/2006 Arih D9/500
D626,840 S * 11/2010 Hall D9/551
D706,633 S * 6/2014 Reisig D9/500
D708,522 S * 7/2014 Santamaria D9/500
D723,921 S * 3/2015 Herman D9/500
D742,744 S * 11/2015 Hall D9/500
D781,150 S * 3/2017 Zoppas B29D 23/001
D9/500
D938,279 S * 12/2021 Dabrowski B65D 23/00
D9/500
2014/0158659 A1 * 6/2014 Paredes B65D 23/00
65/77

* cited by examiner

Primary Examiner — Andrew Kerr
Assistant Examiner — Chariton Alexakis
(74) *Attorney, Agent, or Firm* — Schmesier, Olsen &
Watts, LLP

(57) **CLAIM**

The ornamental design for a bottle, as shown and described.

DESCRIPTION

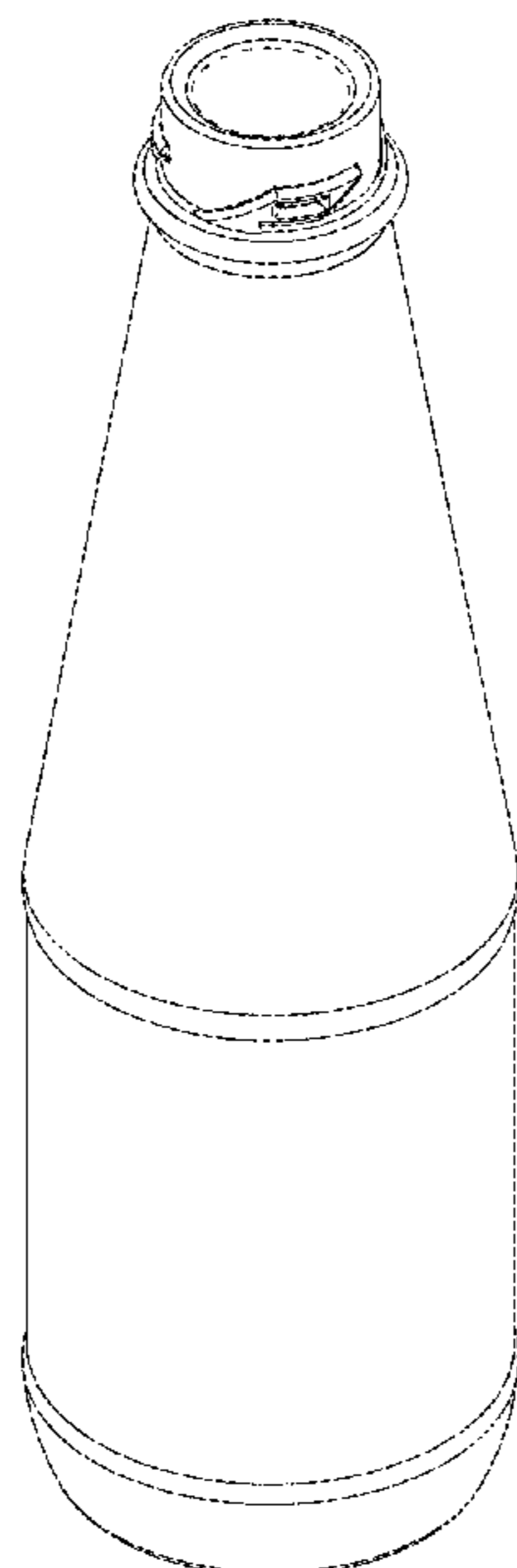
FIG. 1 is a front perspective view of a bottle showing my new design;
FIG. 2 is a front elevational view thereof;
FIG. 3 is a rear elevational view thereof;
FIG. 4 is a left side elevational view thereof;
FIG. 5 is a right side elevational view thereof;
FIG. 6 is a top plan view thereof; and,
FIG. 7 is a bottom plan view thereof.
The broken lines in the drawings depict portions of the bottle that form no part of the claimed design.

1 Claim, 7 Drawing Sheets

(56) **References Cited**

U.S. PATENT DOCUMENTS

D248,835 S * 8/1978 Korsmeyer D9/500
D330,334 S * 10/1992 Rusnock D9/558



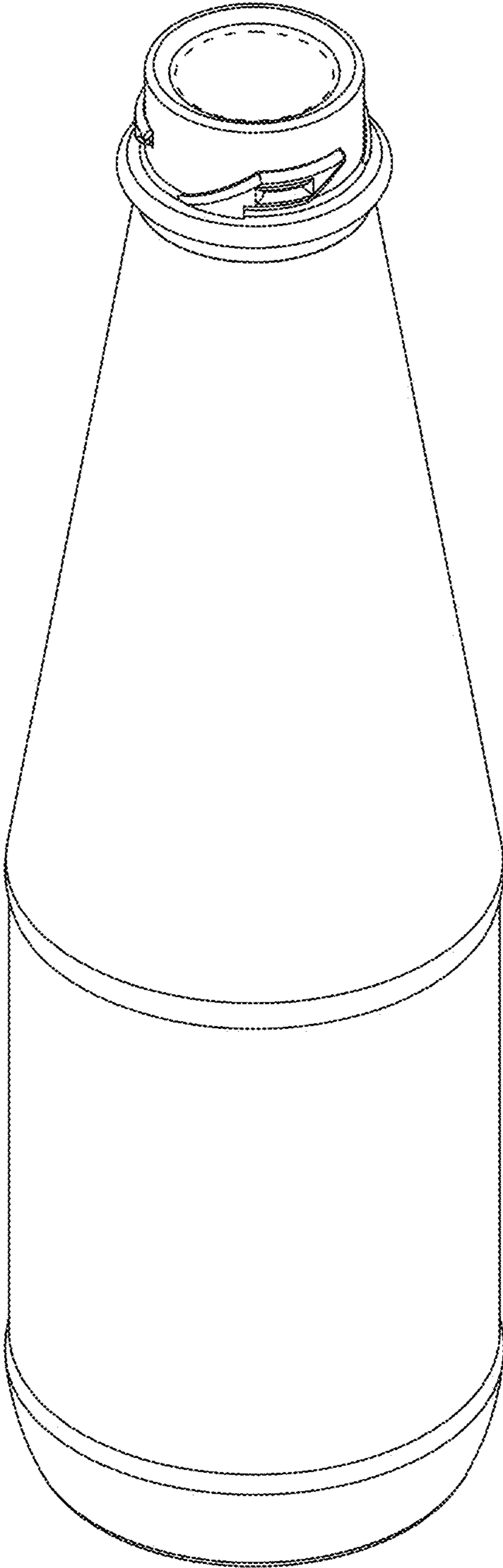


FIG. 1

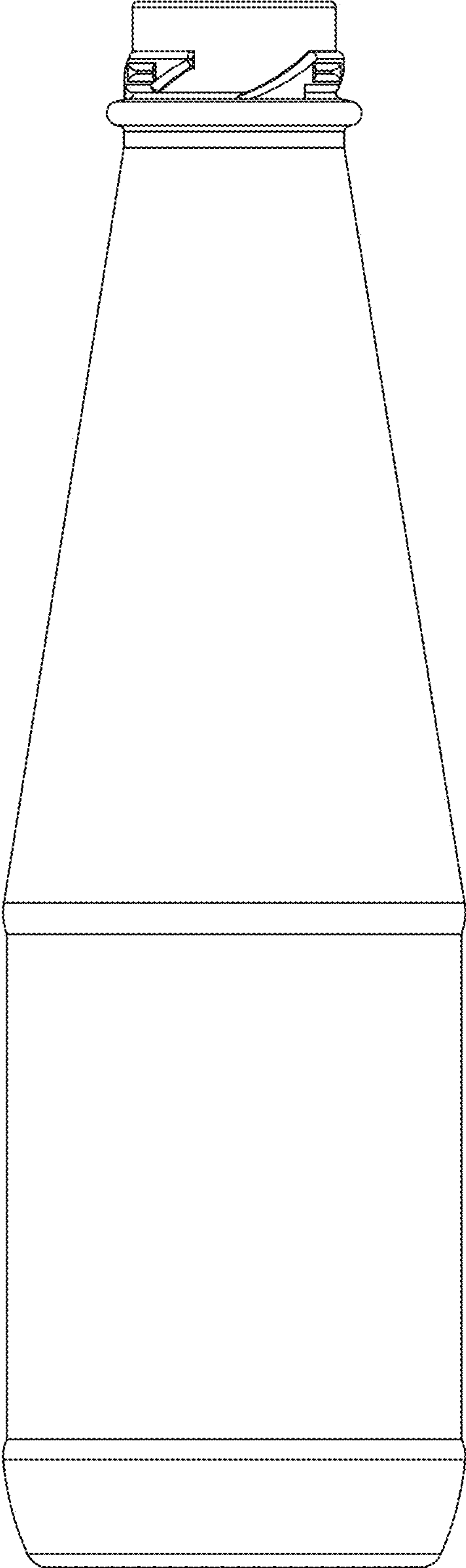


FIG. 2

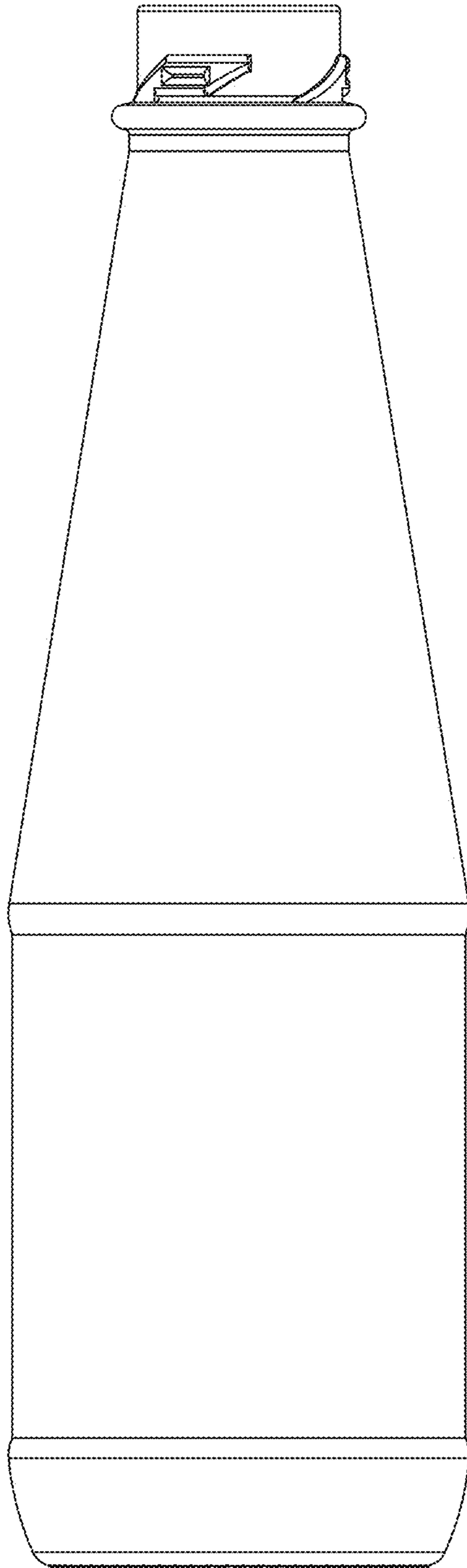


FIG. 3

REPLACEMENT SHEET

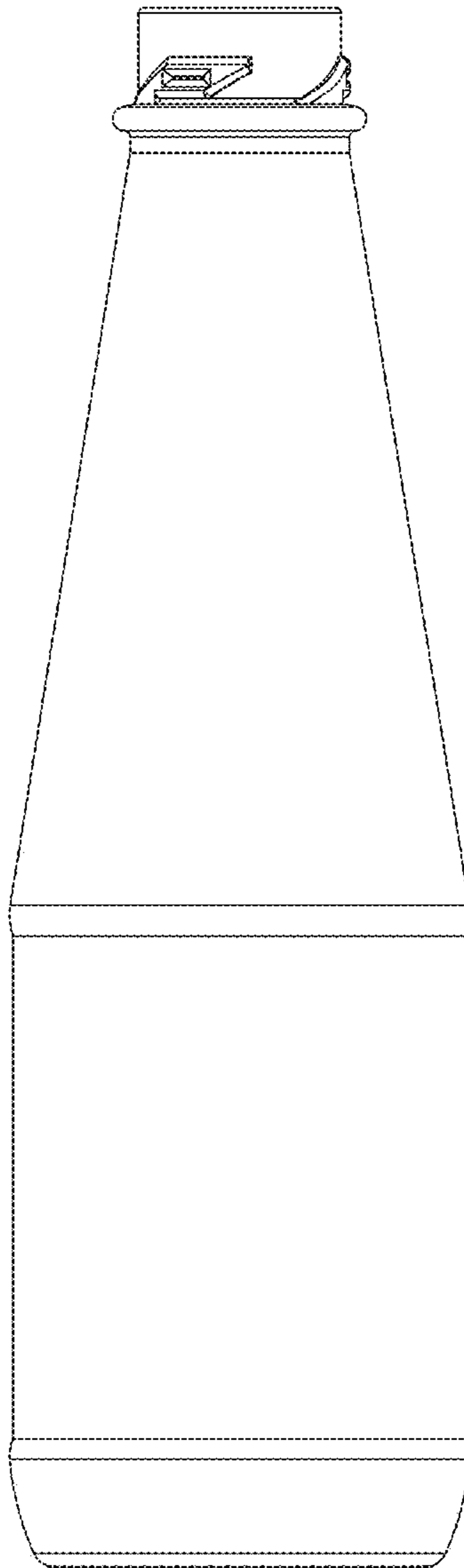


FIG. 4

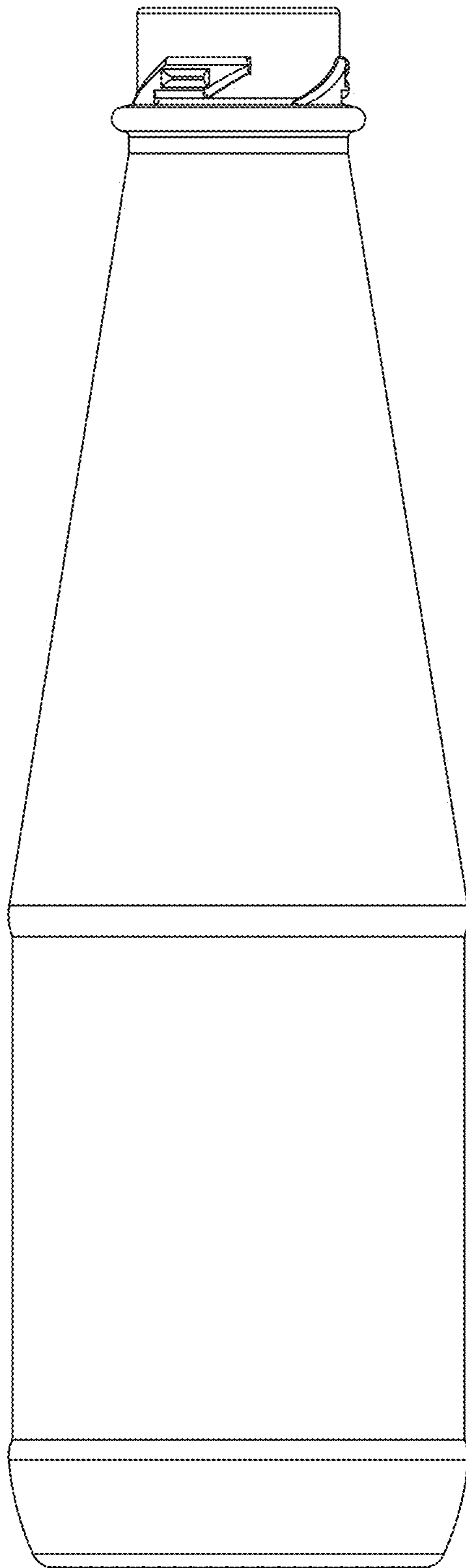


FIG. 5

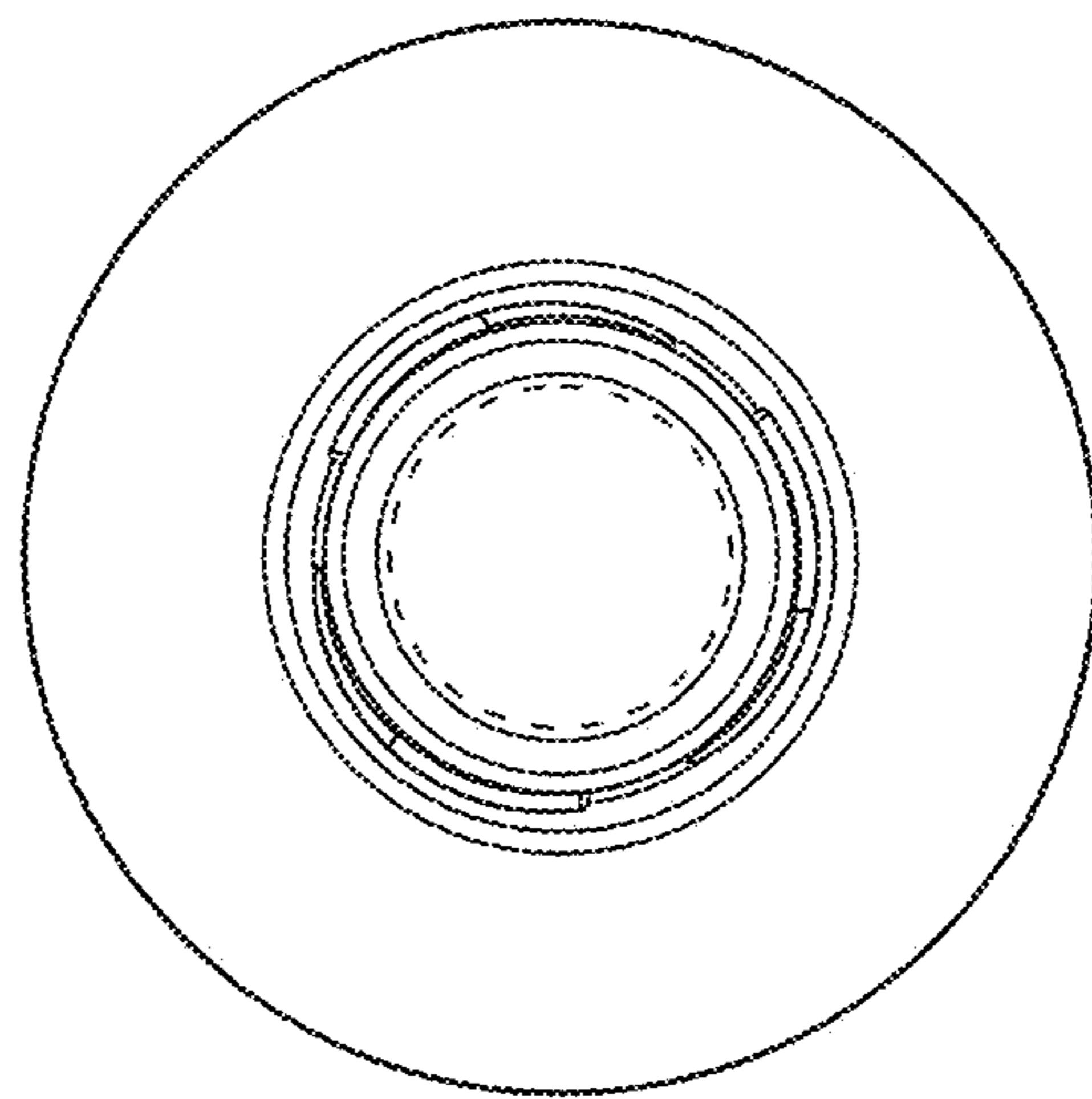


FIG. 6

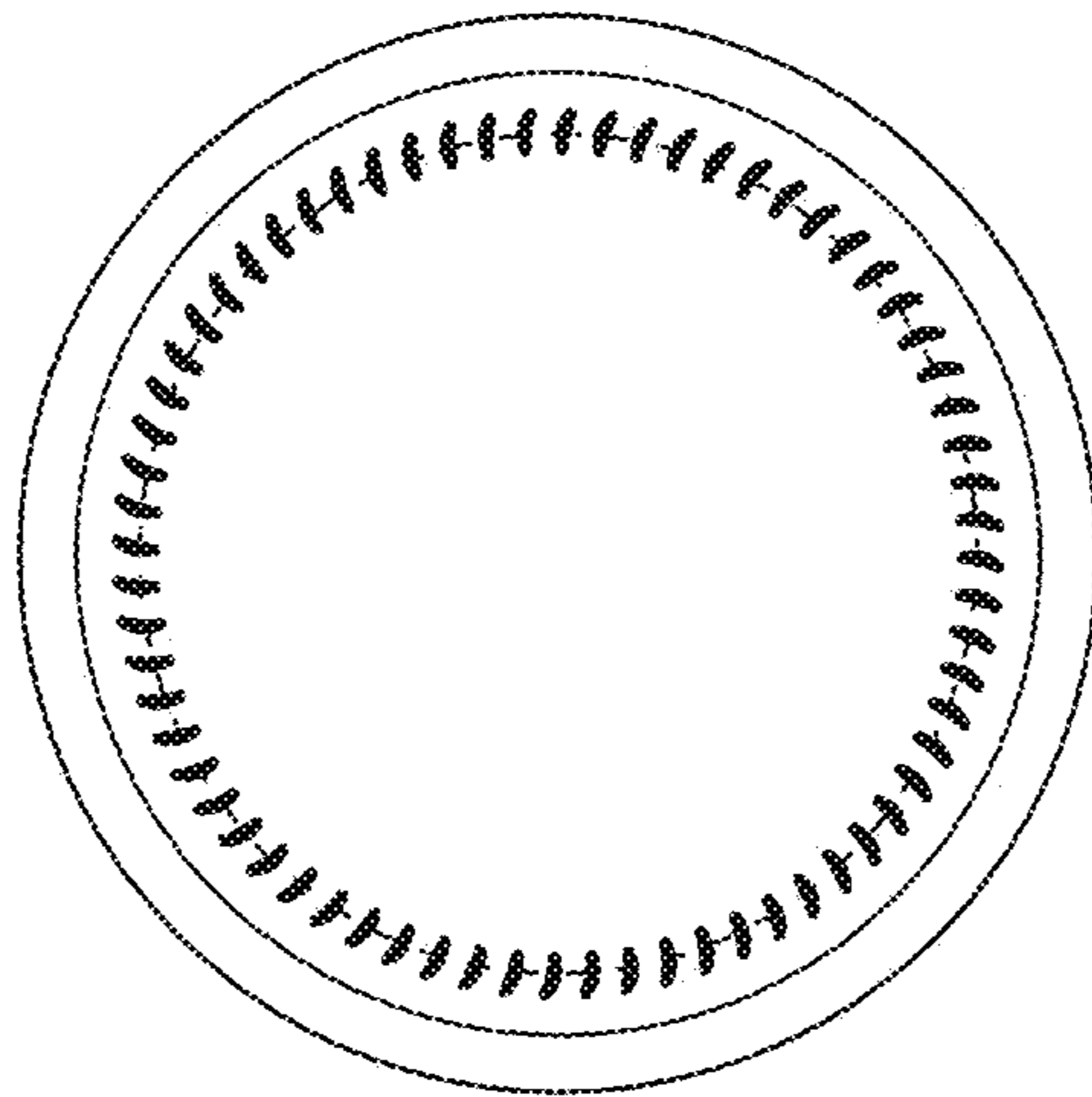


FIG. 7

UNITED STATES PATENT AND TRADEMARK OFFICE
CERTIFICATE OF CORRECTION

PATENT NO. : D984,269 S
APPLICATION NO. : 29/780723
DATED : April 25, 2023
INVENTOR(S) : Nguyen Hoang Yen

Page 1 of 1

It is certified that error appears in the above-identified patent and that said Letters Patent is hereby corrected as shown below:

On the Title Page

Both the address of item (71) Applicant and item (72) Inventor currently read as “Hi Chi Minh City” and should be amended to “Ho Chi Minh”.

Signed and Sealed this
Fourth Day of July, 2023
Katherine Kelly Vidal

Katherine Kelly Vidal
Director of the United States Patent and Trademark Office