



US00D984267S

(12) **United States Design Patent** (10) **Patent No.:** **US D984,267 S**
Bing et al. (45) **Date of Patent:** **** Apr. 25, 2023**

(54) **BOTTLE STAND**

D333,063	S *	2/1993	Podesta Burke	D6/545
D335,791	S	5/1993	Cumley		
5,240,147	A	8/1993	Frazier et al.		
5,480,068	A	1/1996	Frazier et al.		
D383,025	S *	9/1997	Warshawsky	D6/542
D396,763	S *	8/1998	Borcherds	D6/544
D424,443	S *	5/2000	Panetti	D9/455

(Continued)

(71) Applicant: **Cintas Corporate Services, Inc.**,
Cincinnati, OH (US)

(72) Inventors: **Richard R. Bing**, West Chester, OH (US); **Megan Kathryn Helms**, Hamilton, OH (US); **David Steven Mesko**, Wyoming, OH (US); **Michael E. Berger**, Brooklyn, NY (US); **Adem Önal**, Jersey City, NJ (US); **Marco C. Perry**, Brooklyn, NY (US)

(73) Assignee: **Cintas Corporate Services, Inc.**,
Cincinnati, OH (US)

(**) Term: **15 Years**

(21) Appl. No.: **29/756,251**

(22) Filed: **Oct. 27, 2020**

(51) **LOC (14) Cl.** **09-01**

(52) **U.S. Cl.**
USPC **D9/455**; D6/542

(58) **Field of Classification Search**
USPC D6/542-545; D9/455
CPC A47K 2005/1218; A47K 5/1211; A47K 5/12; A47K 5/03; A47K 5/1205; B65D 23/001; B65D 25/24
See application file for complete search history.

(56) **References Cited**

U.S. PATENT DOCUMENTS

D103,562	S *	3/1937	Cook	D9/455
D103,600	S *	3/1937	Shields	D9/455
D206,494	S *	12/1966	Richard	D9/455
D207,808	S *	5/1967	Coulthurst	D9/455
D210,567	S *	3/1968	Stanziale	D6/545
D222,034	S *	9/1971	Bagn	D9/455
D283,282	S *	4/1986	Haske	D9/455
D298,097	S *	10/1988	Vogel	D6/545
5,148,948	A	9/1992	Granville et al.		

FOREIGN PATENT DOCUMENTS

CN	301803229	*	1/2012
GB	4035175	*	7/2014

(Continued)

Primary Examiner — Brett Miller

Assistant Examiner — Rani J Abdallah

(74) *Attorney, Agent, or Firm* — Wood Herron & Evans LLP

(57) **CLAIM**

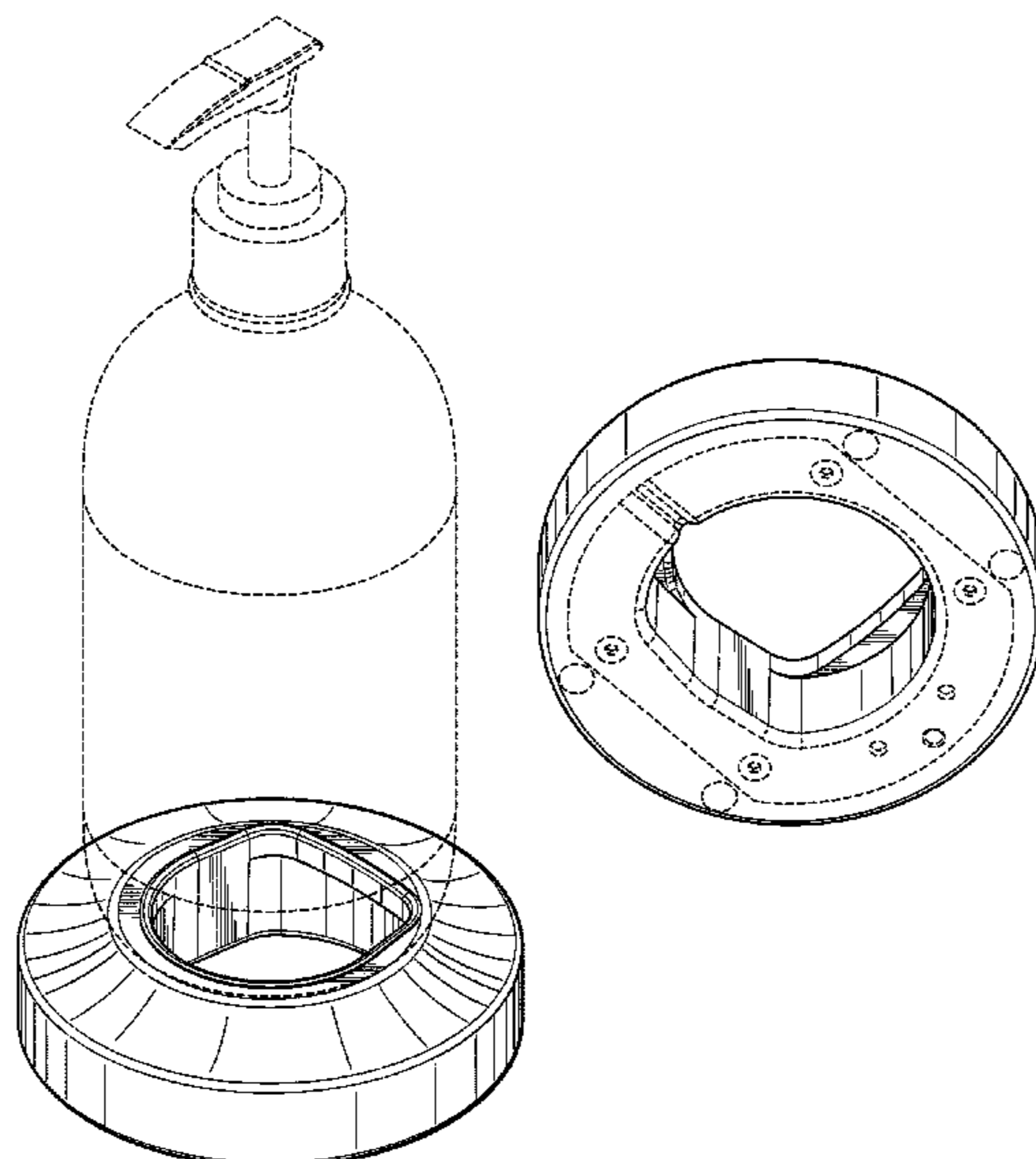
An ornamental design for a bottle stand, as shown and described.

DESCRIPTION

FIG. 1 is a front right top isometric/perspective view of bottle stand showing our new design;
 FIG. 2 is front right bottom isometric/perspective view thereof;
 FIG. 3 is a front elevation view, the rear view being identical thereof;
 FIG. 4 is a left side elevation view, the right side view being identical thereof;
 FIG. 5 is a top plan view thereof; and,
 FIG. 6 is a bottom plan view thereof.

The broken lines of the bottle shown in FIG. 1 are shown for environmental aspects that form no part of the claimed design. The broken lines shown in FIGS. 2-4 and 6, illustrate portions of the Botte Stand that form no part of the claimed design.

1 Claim, 3 Drawing Sheets



(56)

References Cited

U.S. PATENT DOCUMENTS

D441,999	S *	5/2001	Kauzlarich	D6/545
6,910,604	B2	6/2005	Gugliotti et al.	
D525,534	S *	7/2006	Snell	D6/542
D531,497	S *	11/2006	Blasko	D9/455
7,315,245	B2	1/2008	Lynn et al.	
D626,366	S *	11/2010	Schmidt	D6/545
D642,840	S *	8/2011	Dretzka	D6/542
8,365,963	B2	2/2013	McCullough et al.	
D761,040	S *	7/2016	Barclay	D6/542
9,427,117	B2	8/2016	Barclay	
D776,536	S *	1/2017	Emoff	D9/455
D801,177	S *	10/2017	Gillespie	D9/455
D877,531	S *	3/2020	Palomba	D6/542
D878,091	S *	3/2020	Palomba	D6/542
D885,908	S *	6/2020	Dycus	D9/455
D905,466	S *	12/2020	Rossi	D6/545
D906,007	S *	12/2020	Rossi	D6/545
D913,095	S *	3/2021	Kobayashi	D9/455
D915,101	S *	4/2021	Rush	D6/542
2009/0050598	A1 *	2/2009	Huang	B65D 23/001 220/636
2012/0006851	A1 *	1/2012	McCullough	A47K 5/12 222/173
2013/0098941	A1 *	4/2013	Wegelin	B05B 11/0037 222/23
2021/0390836	A1 *	12/2021	Marshall	A47K 5/1208
2022/0167802	A1 *	6/2022	Bing	A47K 5/1205

FOREIGN PATENT DOCUMENTS

JP	D1666729	*	8/2020
KR	300942148.0000	*	1/2018
KR	301031895.0000	*	11/2019

* cited by examiner

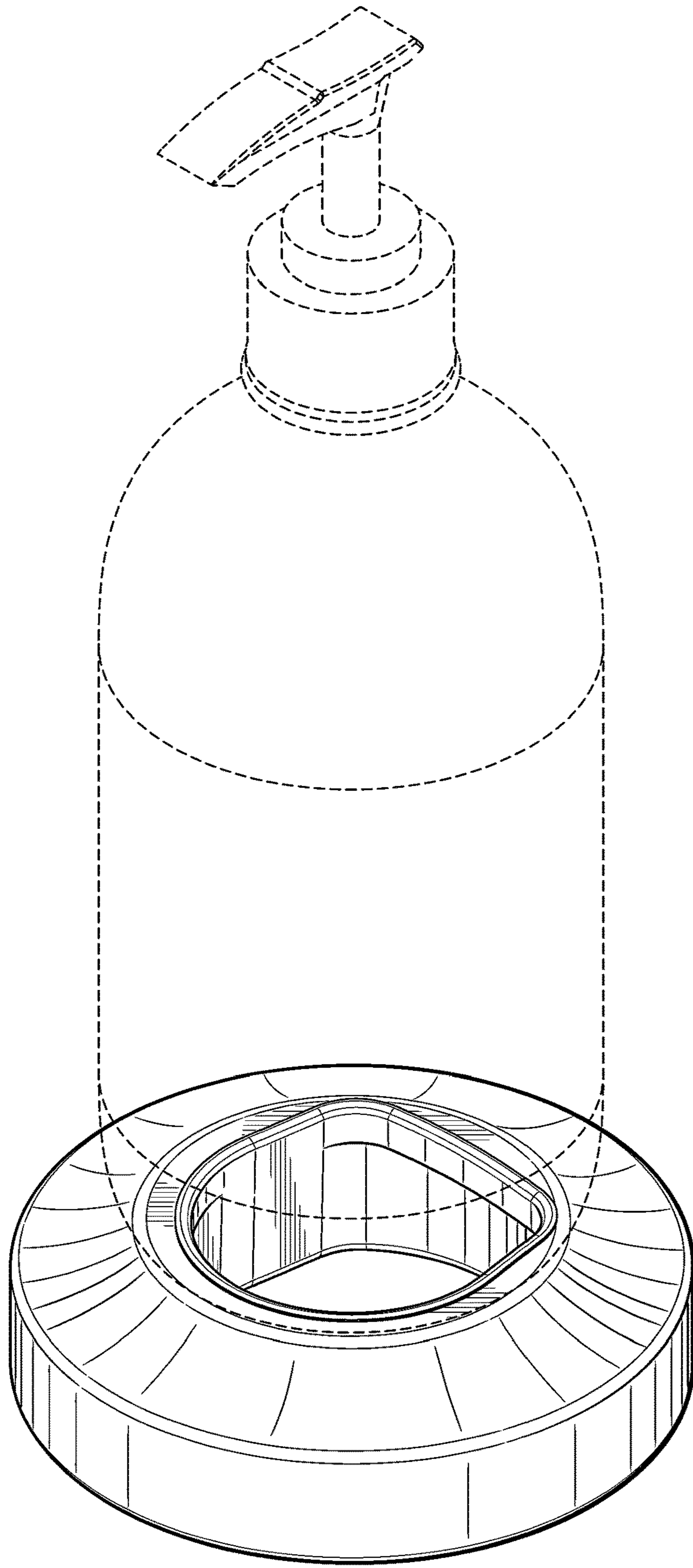


FIG. 1

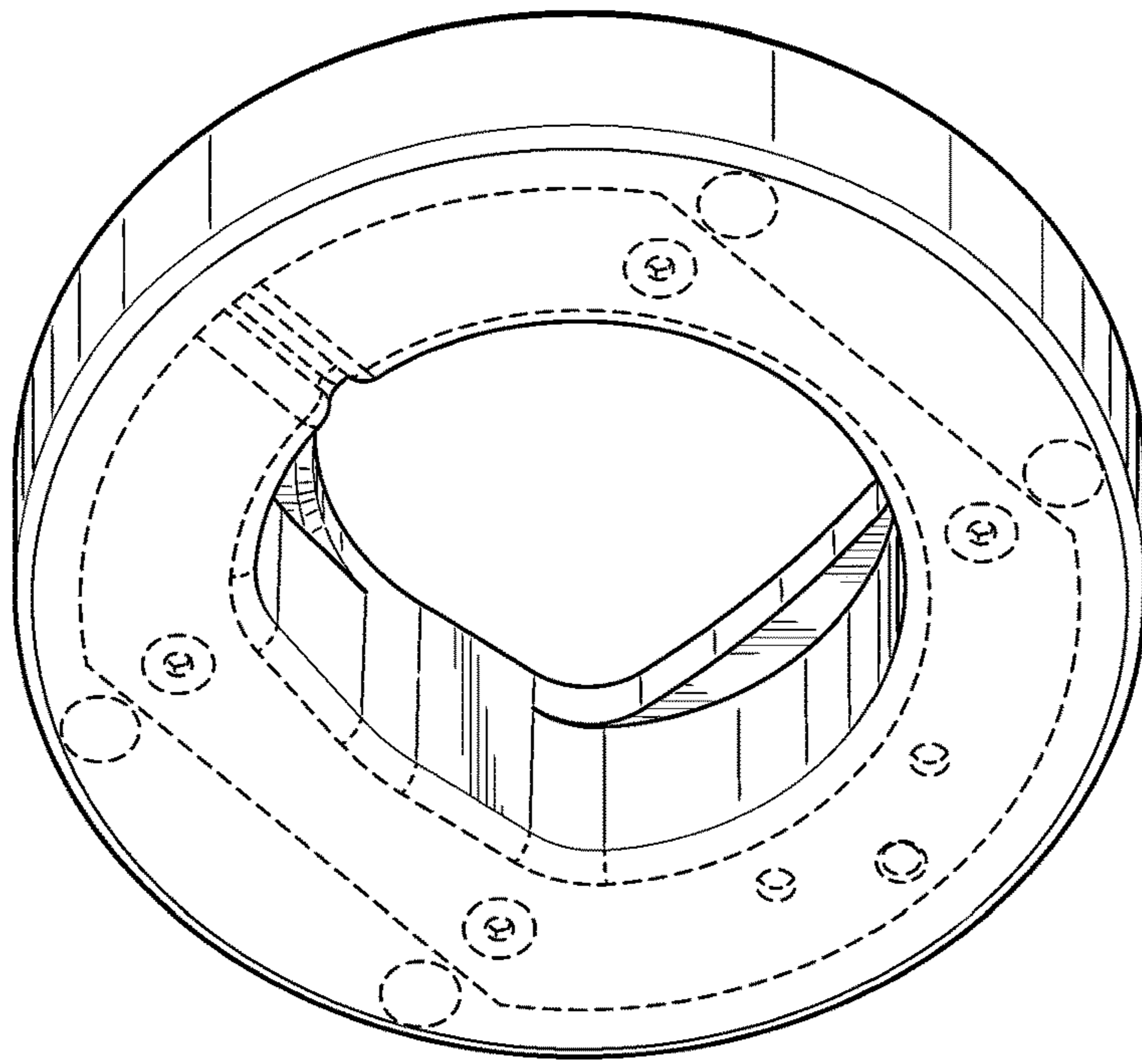


FIG. 2

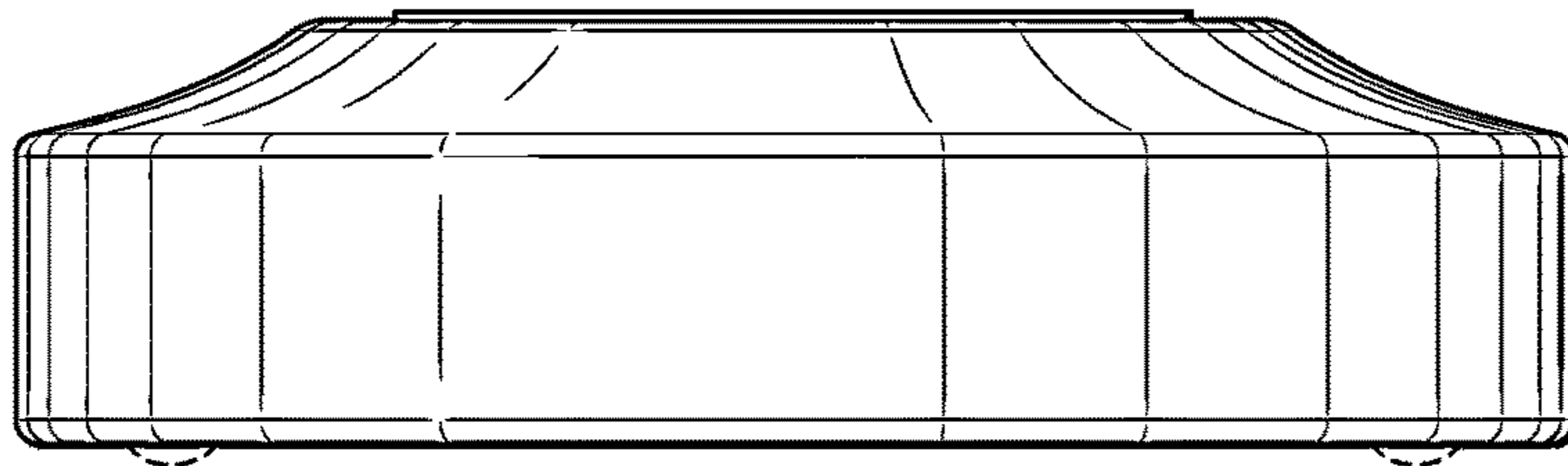


FIG. 3

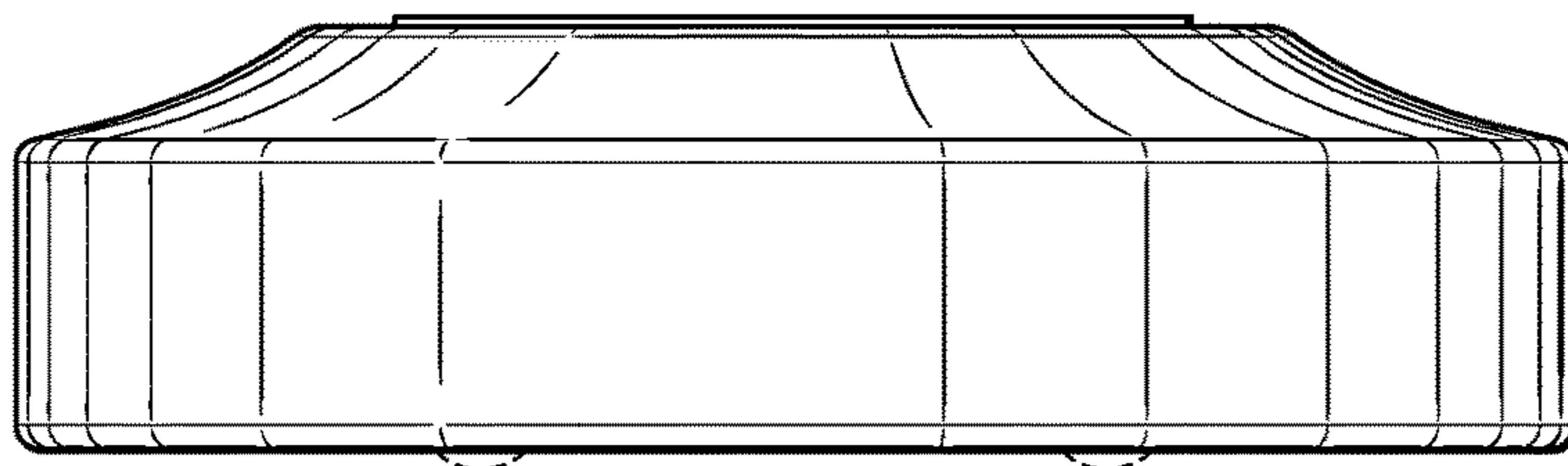


FIG. 4

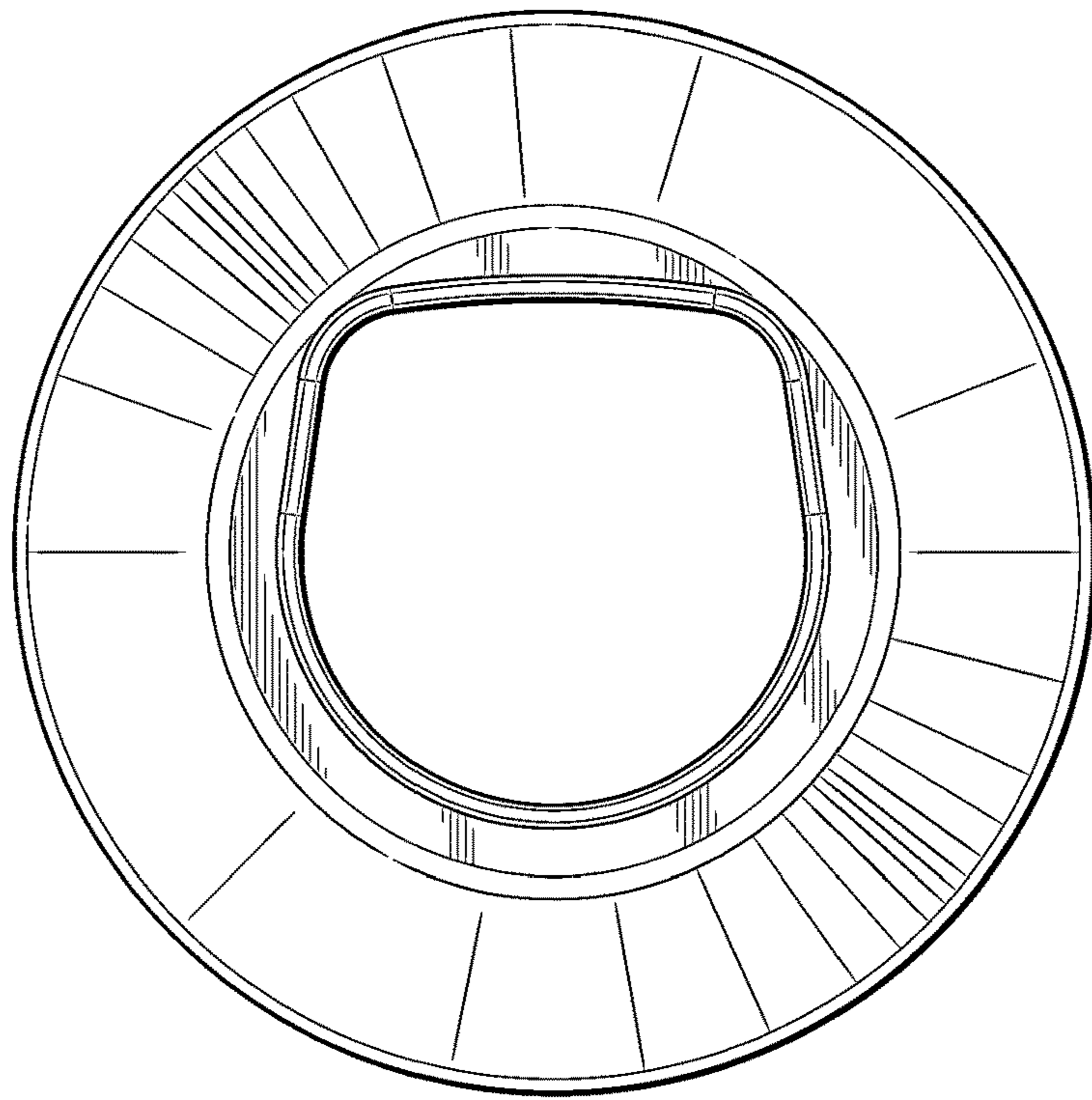


FIG. 5

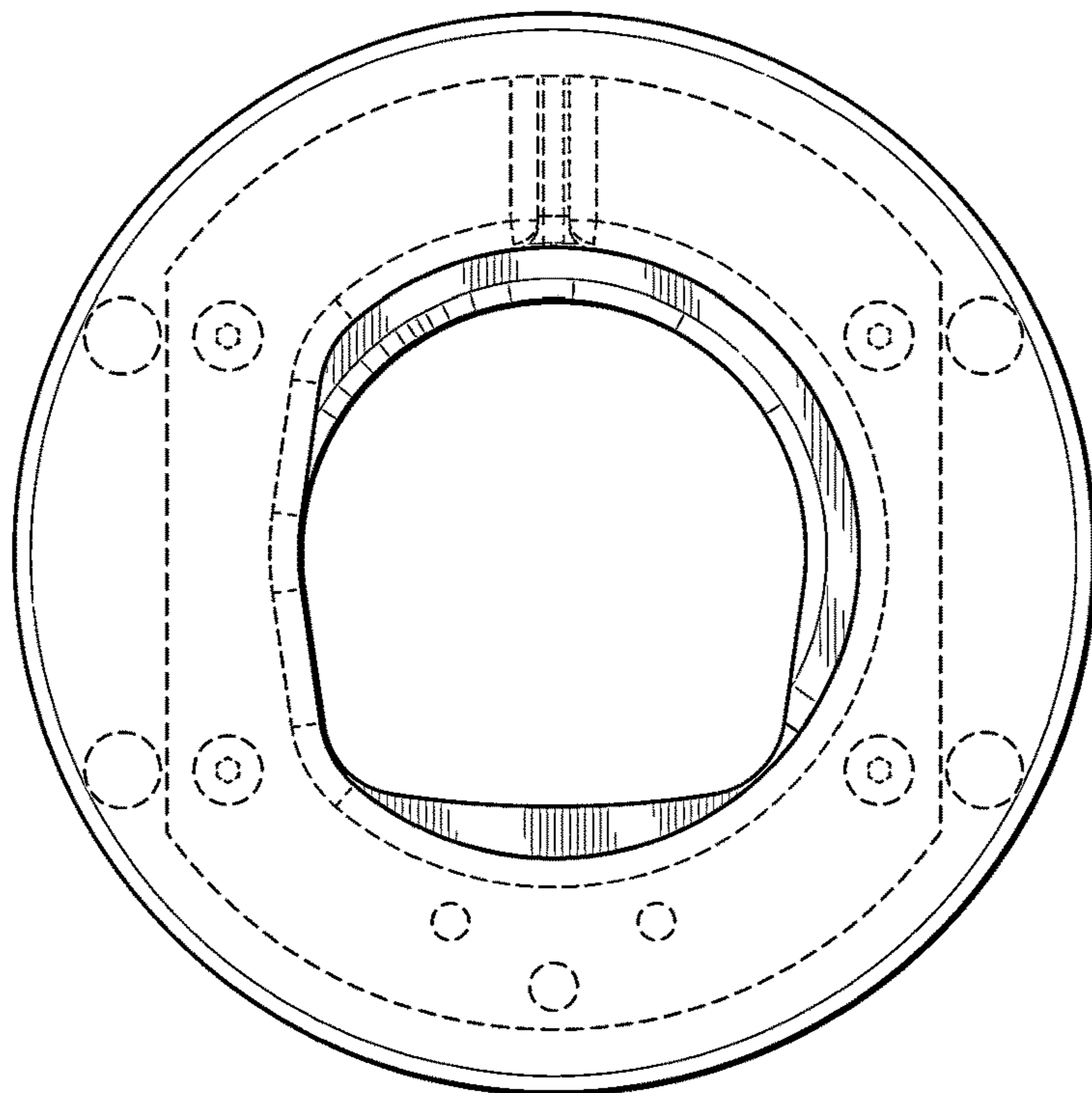


FIG. 6