



US00D984261S

(12) **United States Design Patent** (10) **Patent No.:** **US D984,261 S**
Wommelsdorf et al. (45) **Date of Patent:** **** *Apr. 25, 2023**

(54) **SEAL CAP**

- (71) Applicant: **GEORG MENSHEN GMBH & CO. KG**, Finnentrop (DE)
- (72) Inventors: **Jan Wommelsdorf**, Kirchhundem (DE); **Volker Koelsche**, Schalksmuehle (DE); **Leon Segref**, Finnentrop (DE)
- (73) Assignee: **GEORG MENSHEN GMBH & CO. KG**, Finnentrop (DE)

(*) Notice: This patent is subject to a terminal disclaimer.

(**) Term: **15 Years**

(21) Appl. No.: **29/766,970**

(22) Filed: **Jan. 20, 2021**

(30) **Foreign Application Priority Data**

- Jul. 22, 2020 (EM) 008050314-0001
- Jul. 22, 2020 (EM) 008050314-0002
- Jul. 22, 2020 (EM) 008050314-0004

(51) **LOC (14) Cl.** **09-01**

(52) **U.S. Cl.**
USPC **D9/443**

(58) **Field of Classification Search**
 USPC D7/387, 391, 392.1, 396.1, 396.2, 396.6, D7/388, 402, 403; D9/414, 415, 434, D9/435, 436, 438, 439, 440, 442, 443, D9/445, 446, 448, 449, 452, 453, 454, D9/455, 456, 499, 503, 504, 549, 558, D9/679, 721, 761; D3/201, 273, 318, D3/319, 323; D23/209, 258, 259, 260, D23/261; D24/127, 162, 193, 194, 197, D24/199, 224, 227; D28/91.1; D21/532; D8/379
 CPC B25B 13/5008; B25B 15/008; B65D 1/02; B65D 1/0233; B65D 1/08; B65D 1/10; B65D 41/14; B65D 41/16; B65D 41/3428; B65D 55/16; B65D 43/169; B65D 43/26;

(Continued)

(56) **References Cited**

U.S. PATENT DOCUMENTS

- D319,188 S * 8/1991 Cleminshaw D9/443
- D342,448 S * 12/1993 Ritcey D9/443

(Continued)

FOREIGN PATENT DOCUMENTS

- EP 3 025 982 A1 6/2016
- WO WO 2012/012097 A2 1/2012

(Continued)

OTHER PUBLICATIONS

GoGo Squeeze Pouch: Announced (Feb. 23, 2017). Site Visited (Sep. 26, 2022). Available from URL: https://www.walmart.com/ip/4-Pack-GoGo-Squeez-Applesauce-Organic-Apple-Apple-Snack-Pouch-3-2-oz-4-Pack/17179782?athcpid=17179782&ath%E2%80%A6%201/10.*

(Continued)

Primary Examiner — Catherine S Posthauer

(74) *Attorney, Agent, or Firm* — Norman B. Thot

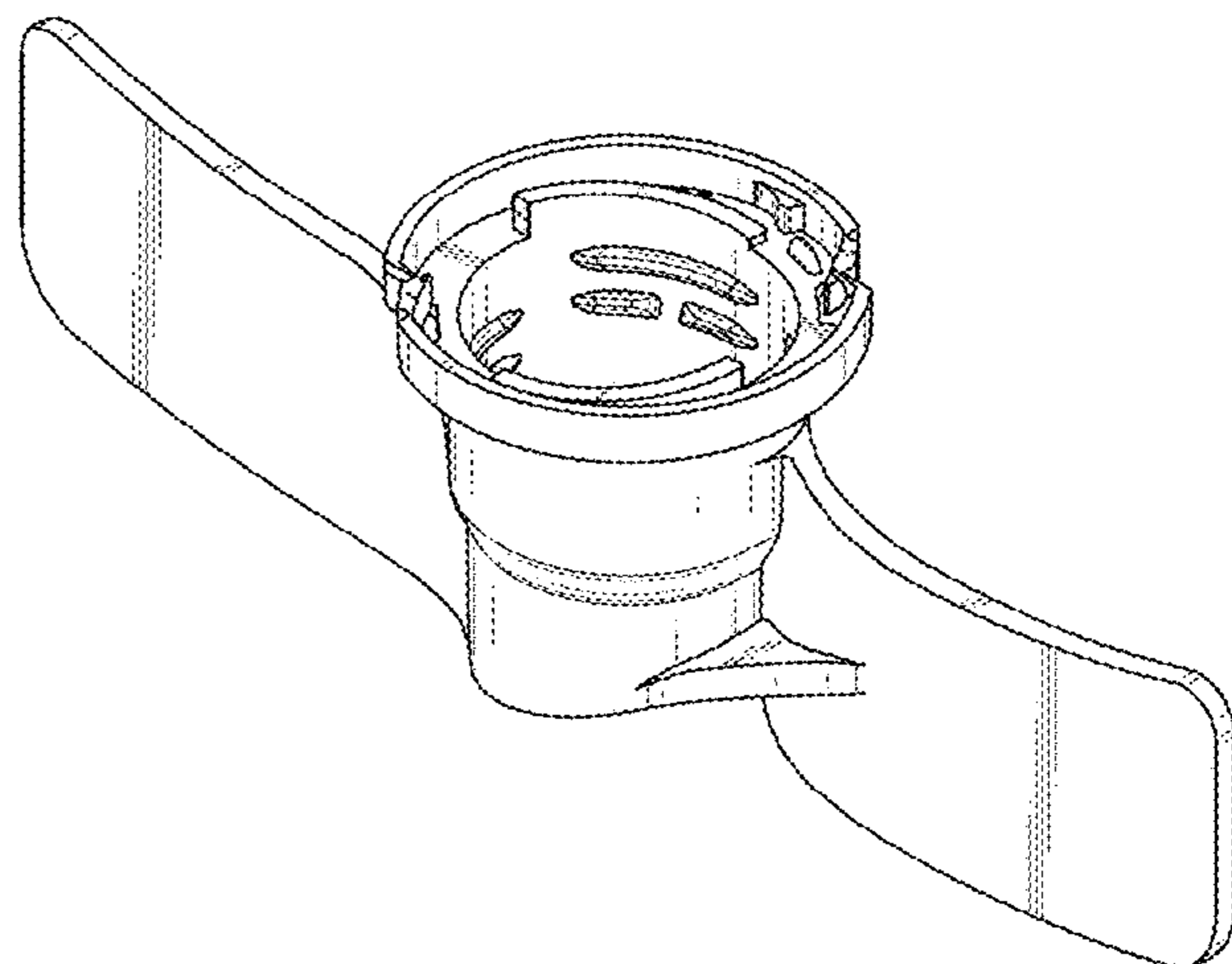
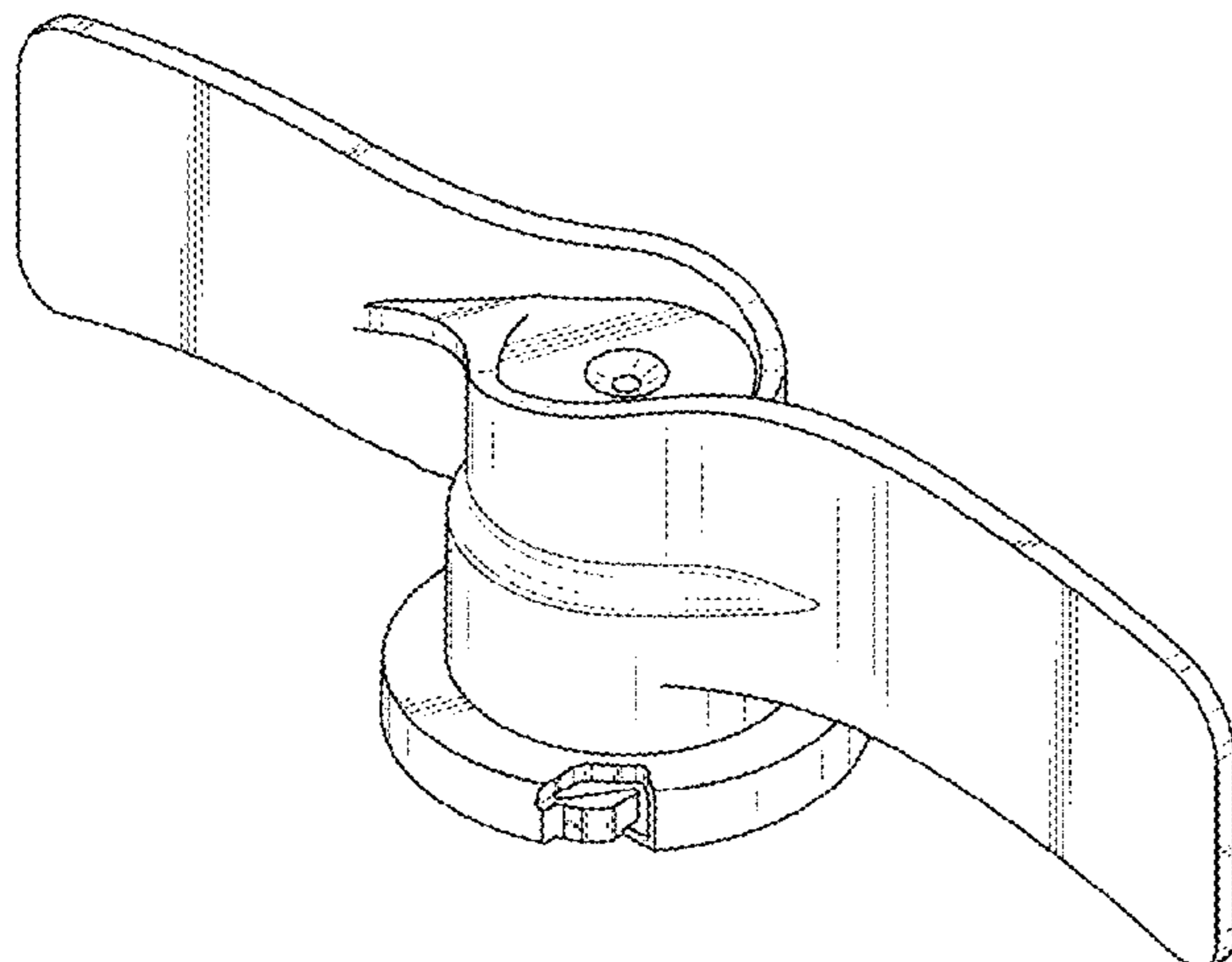
(57) **CLAIM**

The ornamental design for a seal cap, as shown and described.

DESCRIPTION

FIG. 1 is a front, top-side perspective view of the seal cap showing our new design;
 FIG. 2 is a back, bottom-side perspective view thereof;
 FIG. 3 is a top view thereof,
 FIG. 4 is a bottom view thereof;
 FIG. 5 is a first side view thereof; and,
 FIG. 6 is a second side view thereof which is rotated 90° with respect to the first side view shown in FIG. 5.
 The broken lines are shown for the purpose of illustrating parts of the article that form no part of the claimed design.

1 Claim, 4 Drawing Sheets



(58) **Field of Classification Search**

CPC B65D 43/08; B65D 2543/00972; B65D
 2525/285; B65D 2525/286; B65D
 2525/287; B65D 2525/288; B65D 53/02;
 A47G 19/24; B67D 3/00; A24F 40/00
 See application file for complete search history.

2016/0272380 A1 9/2016 Mazurkiewicz et al.
 2016/0340087 A1 11/2016 Kropf
 2022/0119163 A1* 4/2022 Wommelsdorf ... B65D 75/5883

FOREIGN PATENT DOCUMENTS

WO WO 2015/114084 A1 8/2015
 WO WO 2016/140668 A1 9/2016

(56) **References Cited**

U.S. PATENT DOCUMENTS

D381,907 S * 8/1997 King D9/443
 D621,706 S * 8/2010 Breckan D9/443
 D704,058 S * 5/2014 Last D9/451
 D777,342 S * 1/2017 Piramoon D24/224
 D786,672 S * 5/2017 van Spronsen D9/443
 D803,054 S * 11/2017 van Spronsen D9/443
 D873,134 S * 1/2020 Friedman D9/443
 10,647,490 B2 5/2020 Van Der Molen
 D896,079 S * 9/2020 Friedman D9/443
 D896,642 S * 9/2020 Friedman D9/443
 D903,492 S * 12/2020 Friedman D9/443
 2012/0000941 A1 1/2012 Krishnamoorthy et al.

OTHER PUBLICATIONS

GoGo Squeeze Pouch: Site Visited (Sep. 26, 2022). Available from
 Internet URL: https://www.amazon.com/dp/B07C2SY9G9/ref=sspa_dk_detail_6?pd_rd_i=B07C2SY9G9&pd_rd_w=sxoGN&content-id=amzn1.sym.bff6e147-54ad-%E2%80%A6+1%2F10&th=1.
 Menshen Weldspout: Site Visited (Sep. 26, 2022). Available from
 URL: <https://www.menshen.com/products/weldspout-13091-1/>.
 Generic Replacement Handle: Announced (Oct. 15, 2021). Site
 Visited Apr. 4, 2022). Available from URL: (September <https://www.wildwestpoolsupplies.com/generic-replacement-handle-1-1-2-hmip-ball-valve-red-hmip150handle/?gclid=CjwKCAjwxZqSBhAHEiwASr9n9%E2%80%A6%201/7>).
 CjwKCAjwxZqSBhAHEiwASr9n9%E2%80%A6%201/7.*

* cited by examiner

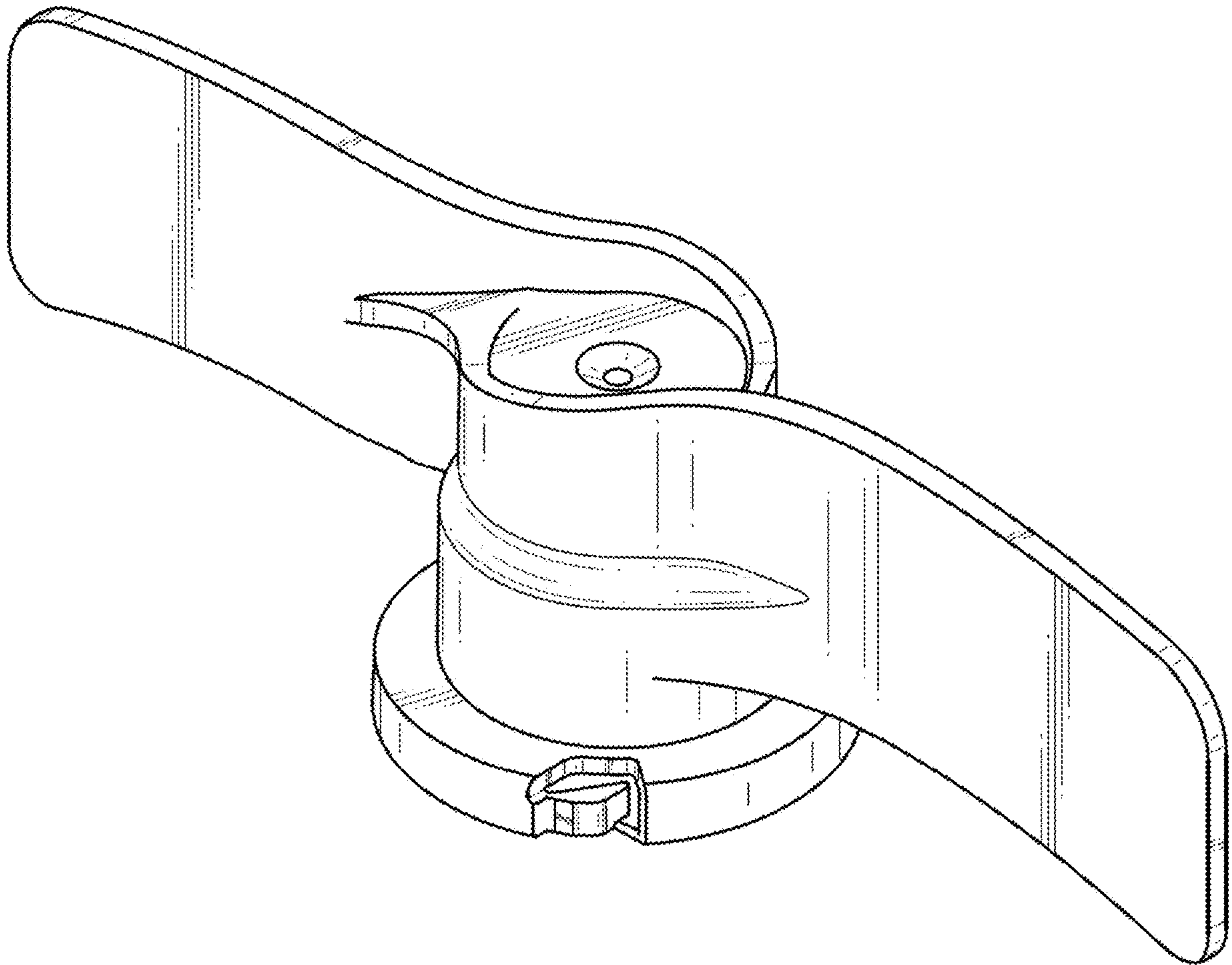


Fig. 1

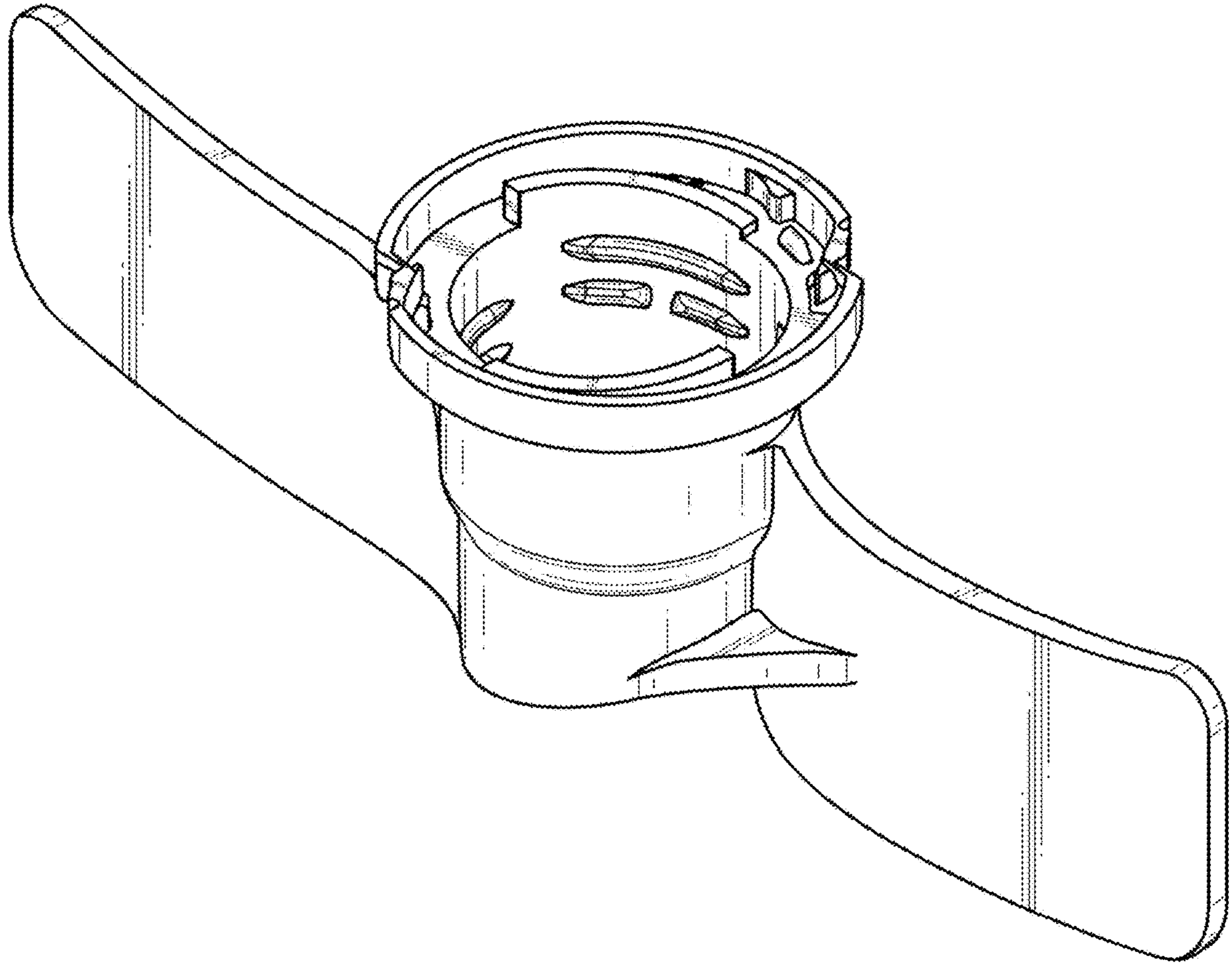


Fig. 2

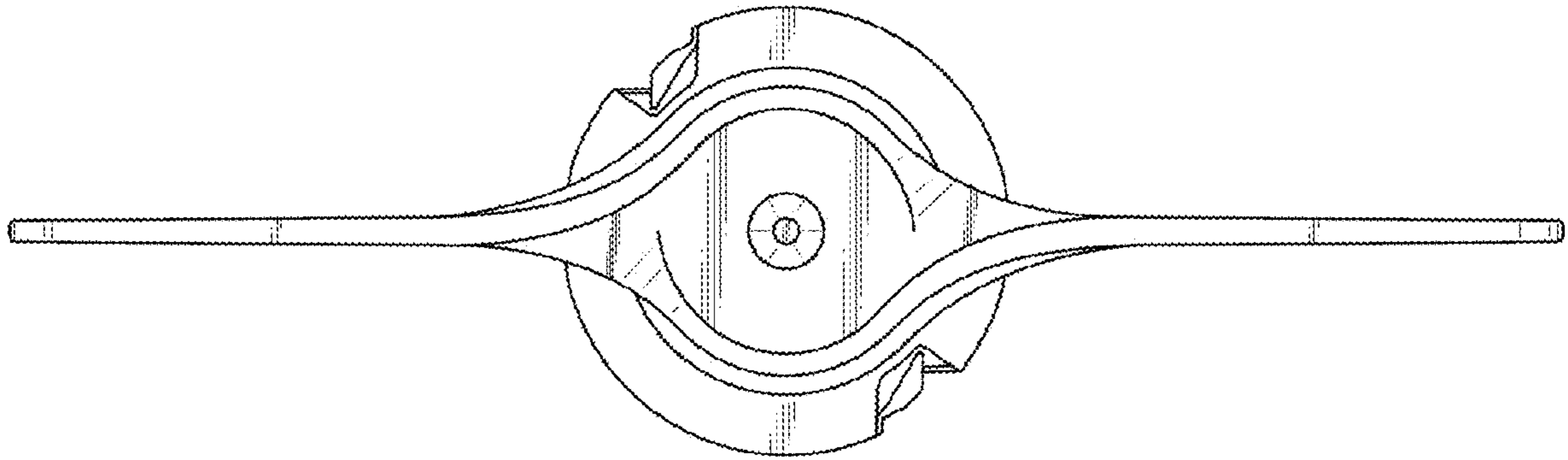


Fig. 3

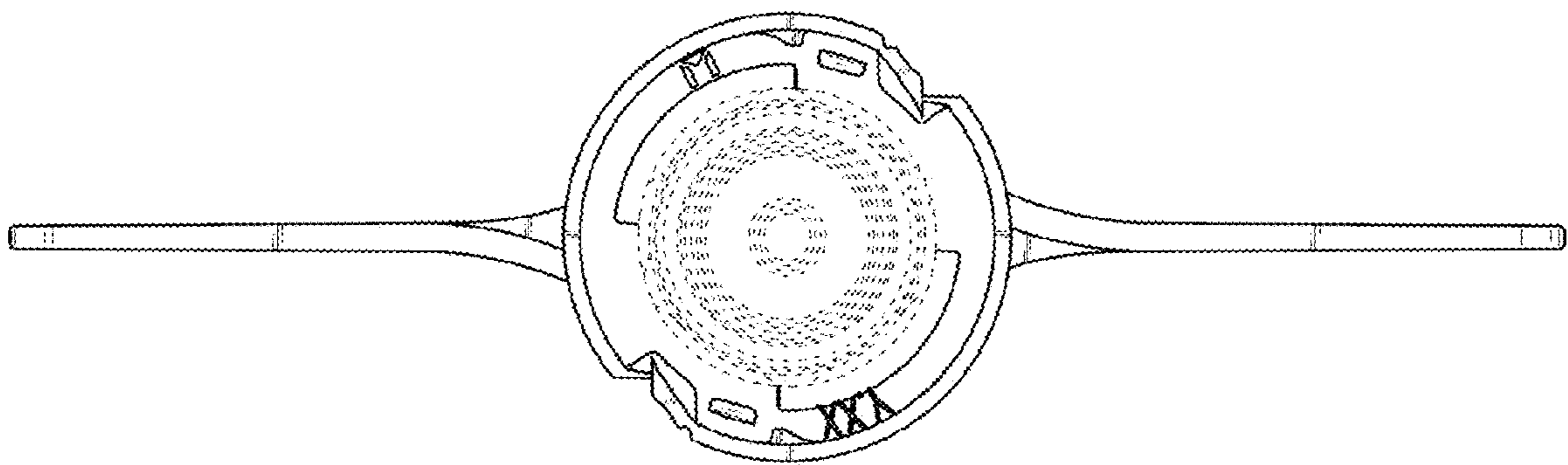


Fig. 4

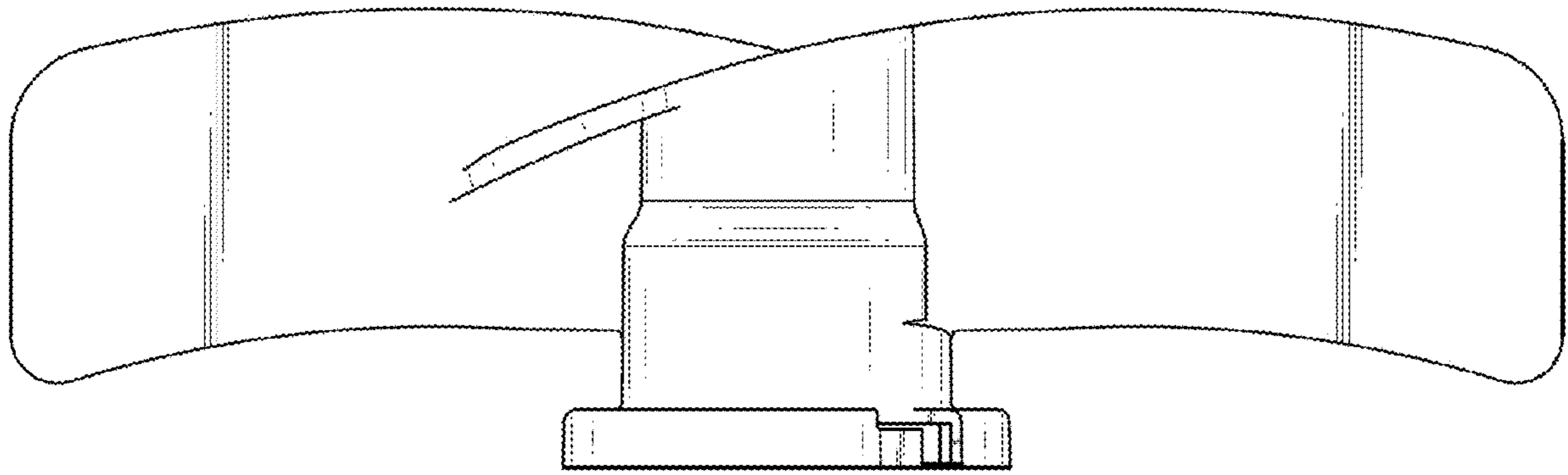


Fig. 5

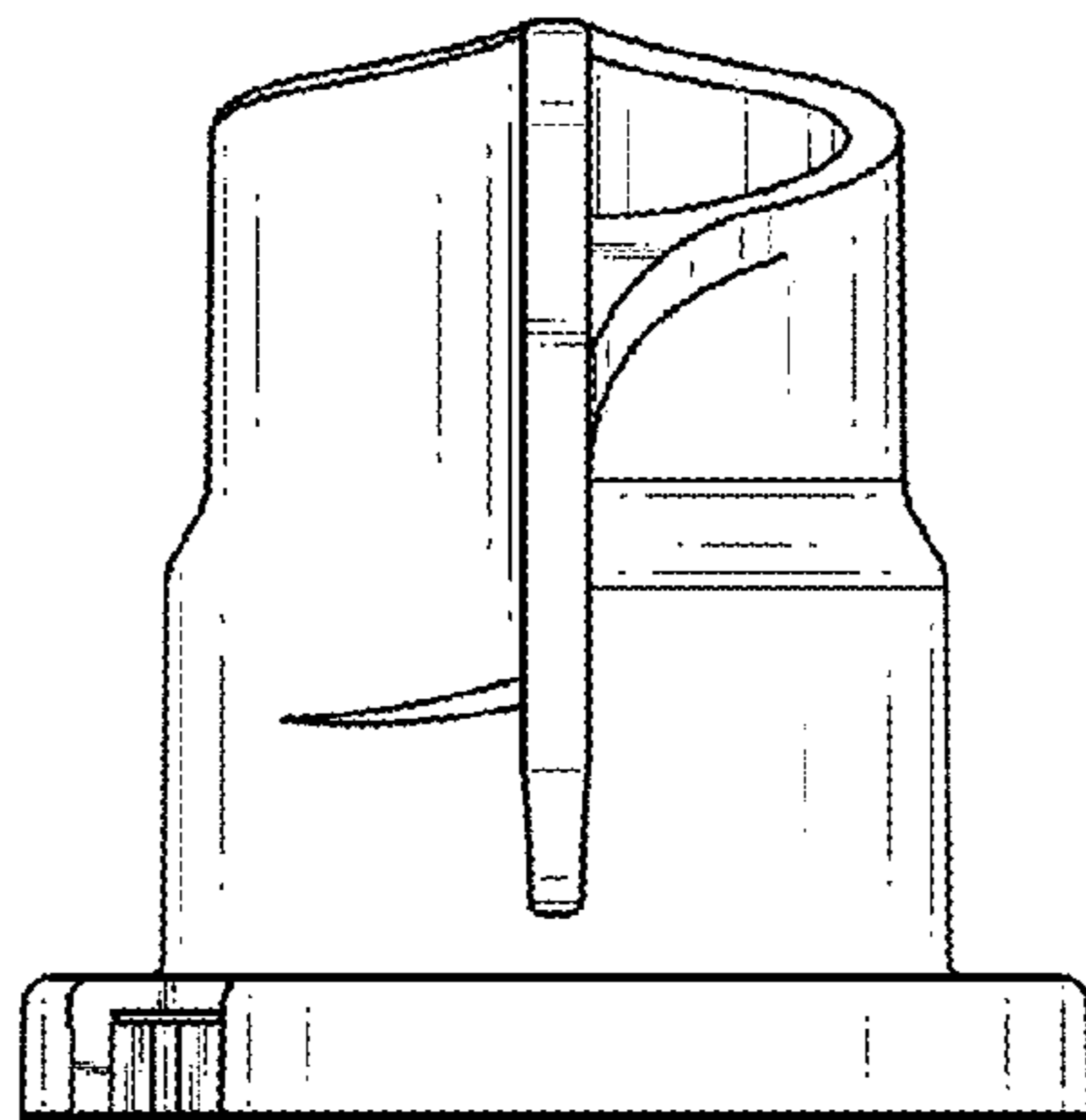


Fig. 6