



US00D984259S

(12) **United States Design Patent** (10) **Patent No.:** **US D984,259 S**
Williamson (45) **Date of Patent:** **** Apr. 25, 2023**

(54) **CUP LID**
(71) Applicant: **Lidz LLC**, Lenexa, KS (US)
(72) Inventor: **Cynthia Williamson**, Overland Park, KS (US)
(73) Assignee: **Lidz, LLC**, Lenexa, KS (US)
(**) Term: **15 Years**

D226,070 S * 1/1973 Alaska B65D 1/0246
D9/436
D243,143 S * 1/1977 Menzo D7/593
D266,436 S * 10/1982 Smith D10/2
D322,217 S * 12/1991 Dinand D9/575
D340,078 S * 10/1993 Turner D7/901
D359,655 S * 6/1995 Hurst D7/901
D373,310 S * 9/1996 Trautmann D9/441
D377,998 S * 2/1997 Dunn D28/67
D388,705 S * 1/1998 Miller B65D 1/0246
D9/435

(Continued)

(21) Appl. No.: **29/758,597**

(22) Filed: **Nov. 17, 2020**

(51) **LOC (14) Cl.** **09-07**

(52) **U.S. Cl.**
USPC **D9/443; D9/668**

(58) **Field of Classification Search**
USPC D9/434-436, 439, 441, 447, 451, 499,
D9/600, 601, 668, 443, 449; D21/314,
D21/318, 328, 339, 357, 712, 788;
D7/392.1, 396.2, 301, 539, 544, 593, 594,
D7/599, 604, 606, 613, 619, 623, 625,
D7/628
CPC B65D 35/44; B65D 2203/00; B65D 11/04;
A63B 41/08
See application file for complete search history.

(56) **References Cited**

U.S. PATENT DOCUMENTS

D3,671 S * 9/1869 Livingston D9/439
414,748 A * 11/1889 Bentley A47G 9/10
5/636
1,518,448 A * 12/1924 Pierce A63B 41/08
473/599
D76,547 S * 10/1928 Matthews D9/441
1,692,305 A * 11/1928 Jacobus A63B 41/085
473/603
D151,599 S * 11/1948 Colm D21/406
3,256,020 A * 6/1966 Smith A63B 43/002
446/225

OTHER PUBLICATIONS

Faire. Football Silicone Cup Lids. Publication date unavailable.
Visited Jul. 15, 2022. https://www.faire.com/product/p_kkkyc2ns55
(Year: 0).*

(Continued)

Primary Examiner — Darcey E Gottschalk
Assistant Examiner — Vanessa M. Pursley

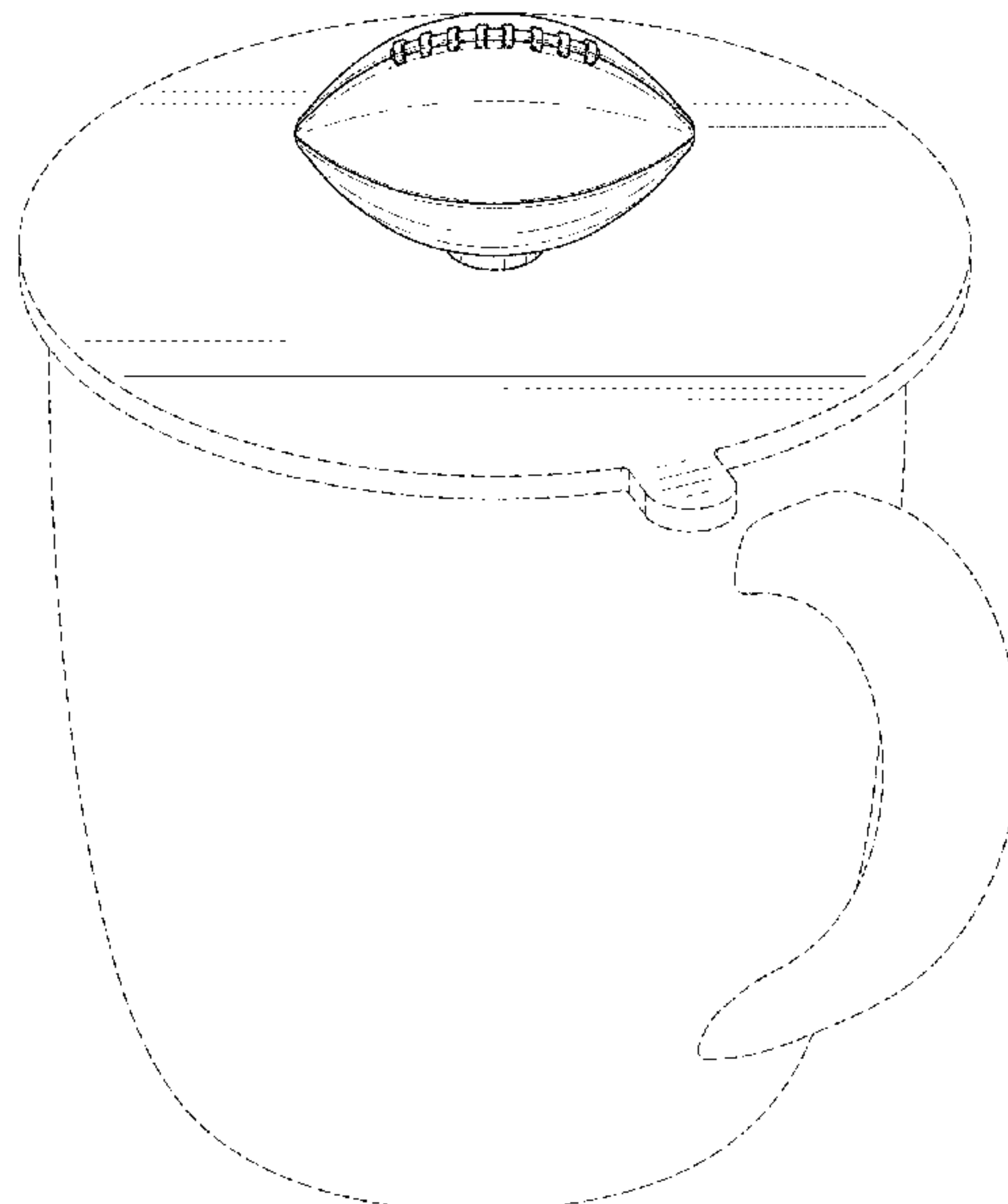
(57) **CLAIM**

The ornamental design for a cup lid, as shown and described.

DESCRIPTION

FIG. 1 is a left side elevation view of a cup lid, showing my new design;
FIG. 2 is a right side elevation view thereof;
FIG. 3 is a front elevation left side elevation view thereof;
FIG. 4 is a rear elevation view thereof;
FIG. 5 is a top plan view thereof;
FIG. 6 is a top perspective view thereof; and,
FIG. 7 is an additional top perspective view thereof.
The bottom is flat and unornamented.
The broken lines in the figures depict unclaimed subject matter only and form no part of the claimed design.

1 Claim, 7 Drawing Sheets



(56)

References Cited

U.S. PATENT DOCUMENTS

5,709,622 A * 1/1998 Spiegel A63B 41/08
 473/607
 D402,198 S * 12/1998 Schultz D9/518
 D420,003 S * 2/2000 Dervish D14/189
 D443,818 S * 6/2001 Jones D11/160
 D468,860 S * 1/2003 Franzblau D27/193
 D482,282 S * 11/2003 Angeletta D9/451
 D518,596 S * 4/2006 Angeletta D3/271.9
 D571,670 S * 6/2008 Lepoitevin D9/668
 D575,164 S * 8/2008 Billings D9/668
 D580,775 S * 11/2008 Harris D9/668
 D604,086 S * 11/2009 Lipinski D7/301
 D609,111 S * 2/2010 Bentley D9/519
 D614,504 S * 4/2010 Coat D9/652
 D623,905 S * 9/2010 Paslawski D7/625
 D624,368 S * 9/2010 Paslawski D7/625
 D627,233 S * 11/2010 Blakeman D9/734
 D629,306 S * 12/2010 Staton D9/414
 D666,919 S * 9/2012 Gelin D9/729
 D685,127 S * 6/2013 Reich D26/104
 D705,078 S * 5/2014 Laib D9/500
 D710,152 S * 8/2014 Marini D7/901
 D710,154 S * 8/2014 Marini D7/901
 D713,688 S * 9/2014 Thomas D7/901
 D716,104 S * 10/2014 Lessells D7/625
 D718,146 S * 11/2014 Tussy D9/668
 D734,148 S * 7/2015 Tillman D9/451
 D735,050 S * 7/2015 Tussy D9/521

D751,382 S * 3/2016 Torrison D9/416
 D753,506 S * 4/2016 Veletakos D9/557
 D789,748 S * 6/2017 Peters D7/564
 D790,282 S * 6/2017 Price D7/564
 D800,508 S * 10/2017 Peters D7/564
 D808,737 S * 1/2018 Santos D7/625
 D808,738 S * 1/2018 Santos D7/625
 D808,739 S * 1/2018 Santos D7/625
 D809,348 S * 2/2018 Santos D7/625
 D821,886 S * 7/2018 Paulin D9/668
 D843,106 S * 3/2019 Price D3/202
 D853,196 S * 7/2019 Cramton D7/901
 D875,544 S * 2/2020 Peters D9/668
 D889,276 S * 7/2020 Mastronardi D9/426

OTHER PUBLICATIONS

Instagram. Untitled. Published by “thelidzshop” on Nov. 28, 2020. Visited Jul. 15, 2022. <https://www.instagram.com/p/CIJ8xHwDcN3/> (Year: 2020).*

Amazon. Wilson NFL Super Grip Composite Football. First available Jun. 15, 2020. Visited Jul. 19, 2022. <https://www.amazon.com/Wilson-Super-Grip-Official-Football/dp/B0012SNLJG/> (Year: 2020).*

Unsplash. Brown and black Wilson football photo. Published Aug. 23, 2019 by Dave Adamson. Visited Jul. 19, 2022. <https://unsplash.com/photos/-nATH0CrkMU> (Year: 2019).*

Unsplash. HD photo. Published Jul. 28, 2021 by Johnny Williams. Visited Jul. 19, 2022. https://unsplash.com/photos/_zp1FxdZ6wM (Year: 2021).*

* cited by examiner

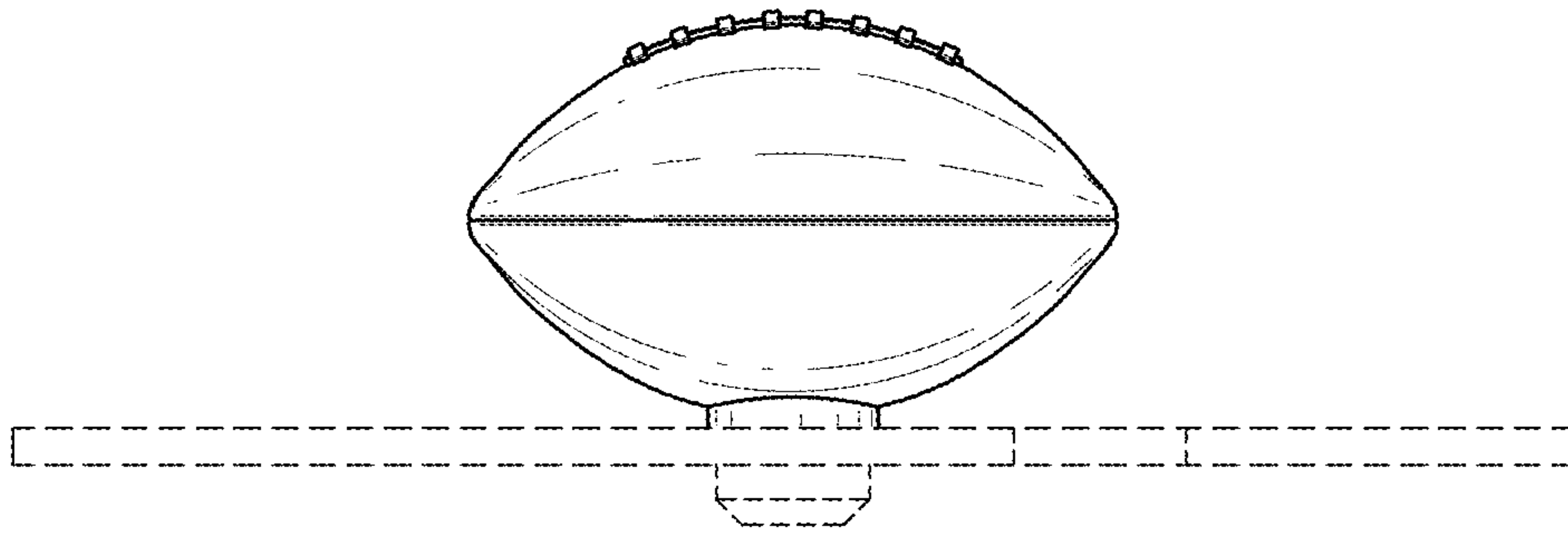


FIG. 1

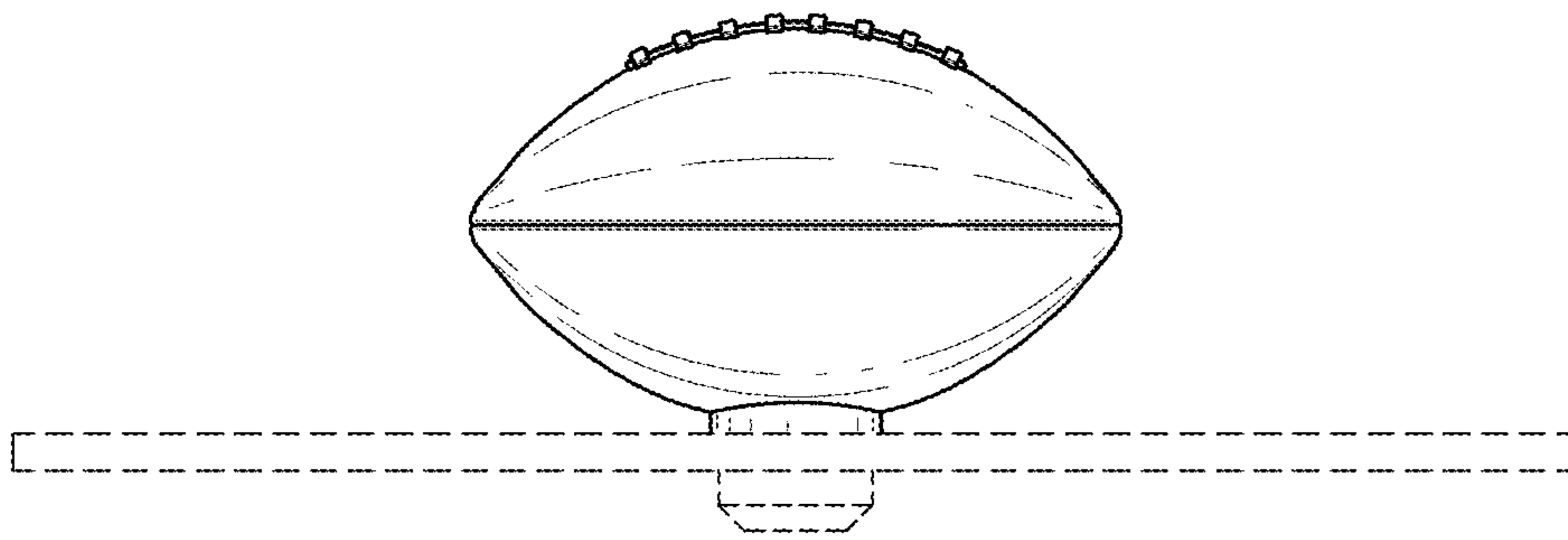


FIG. 2

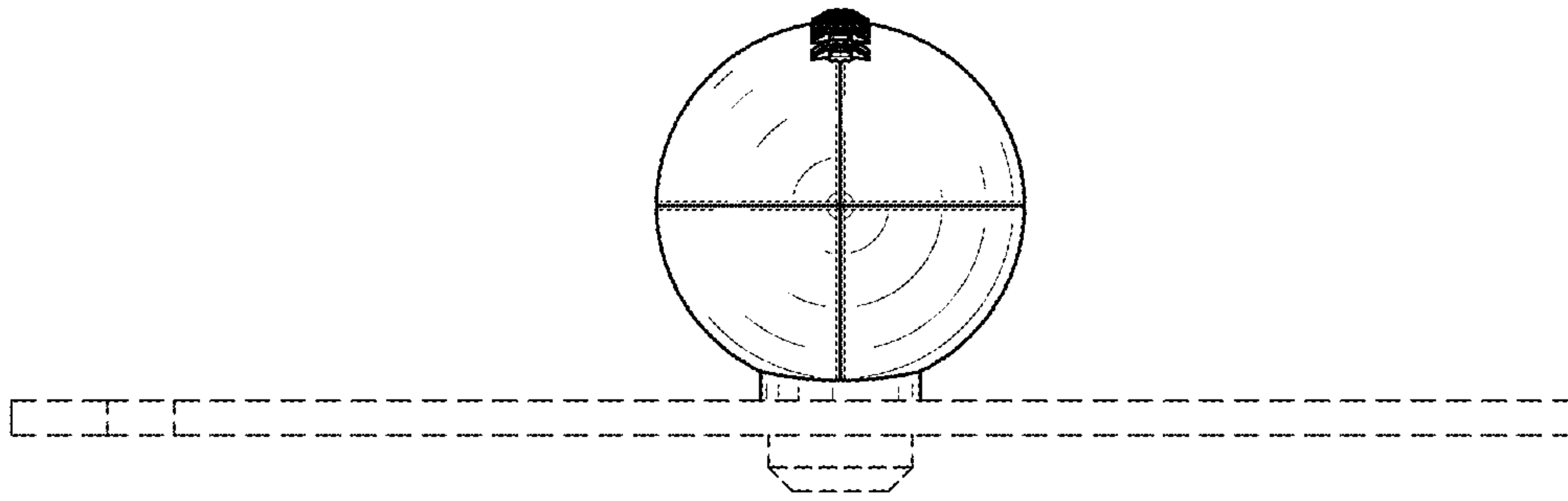


FIG. 3

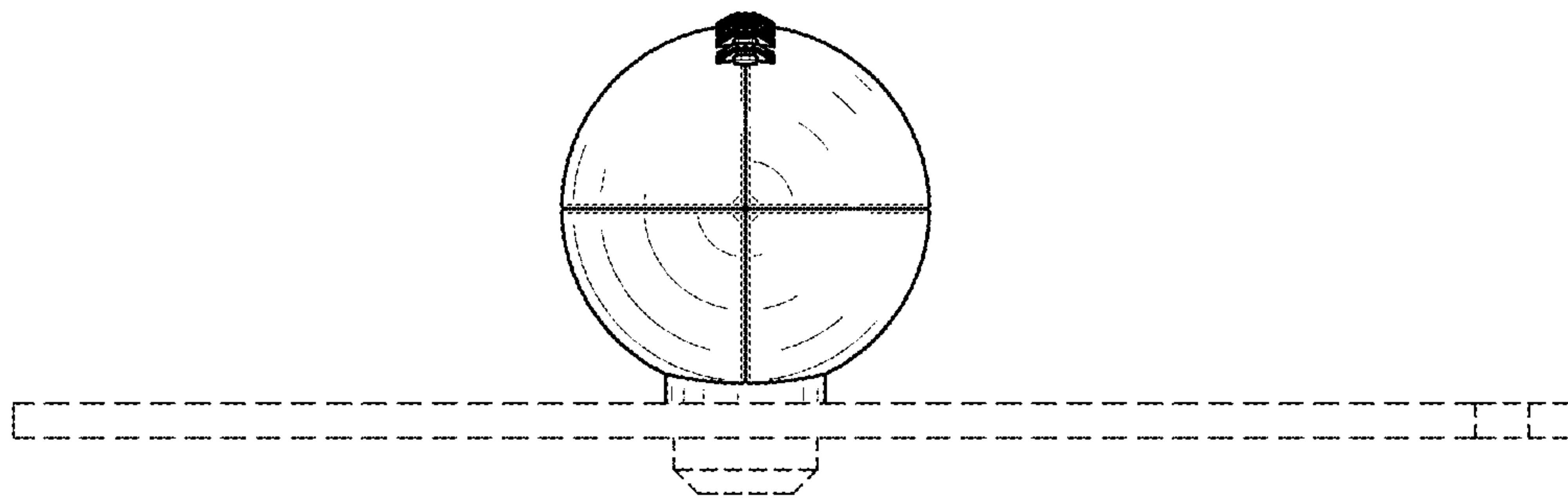


FIG. 4

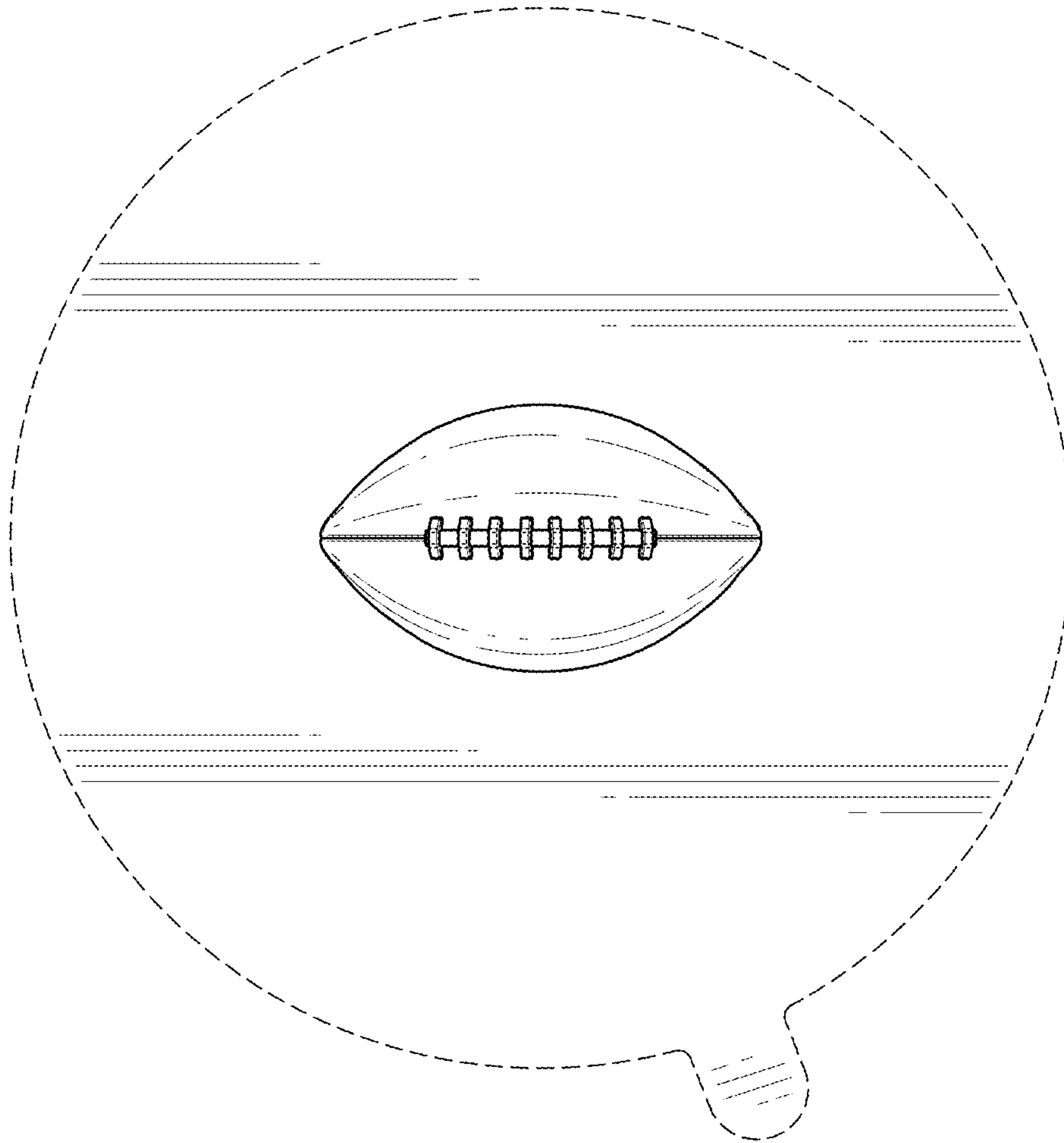


FIG. 5

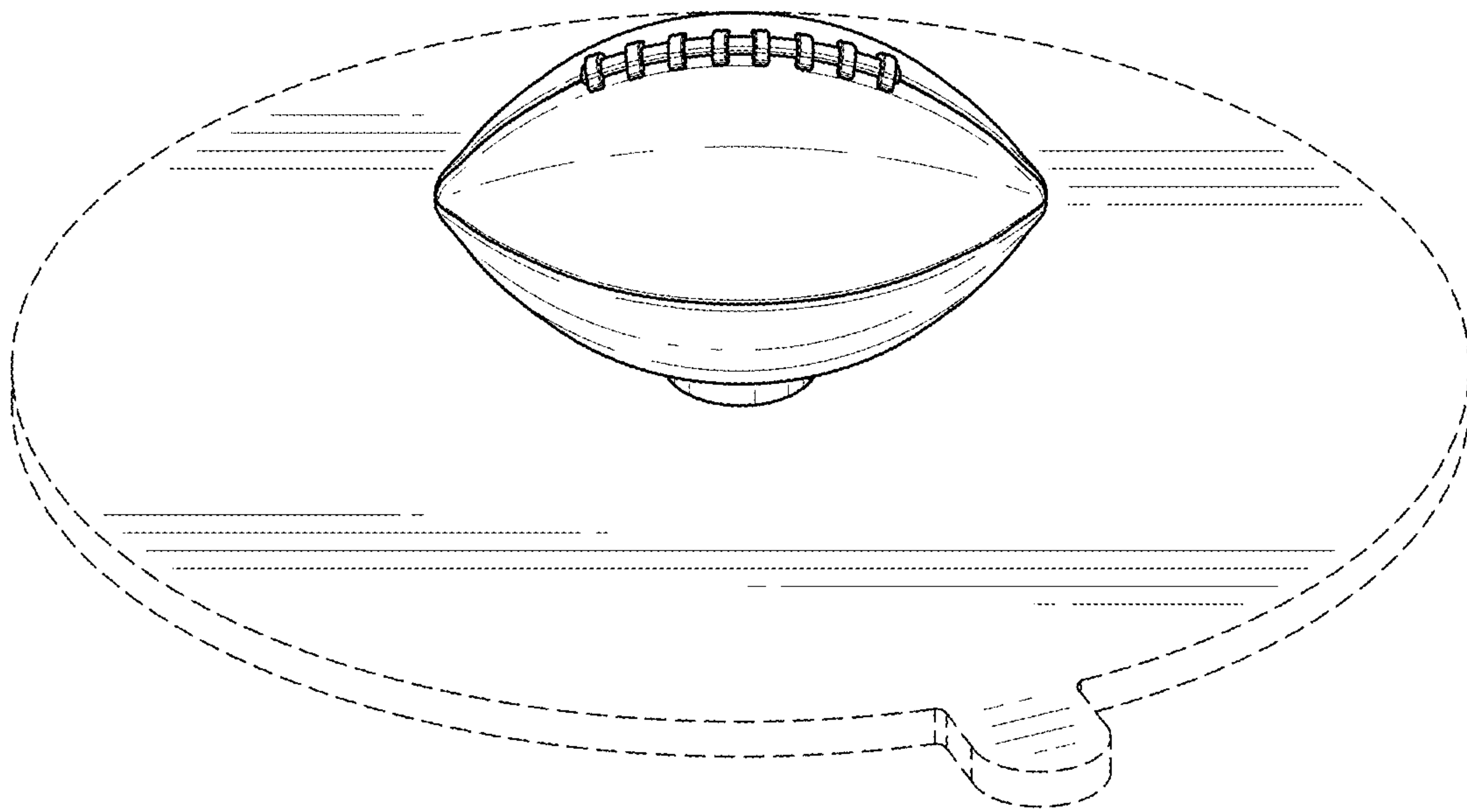


FIG. 6

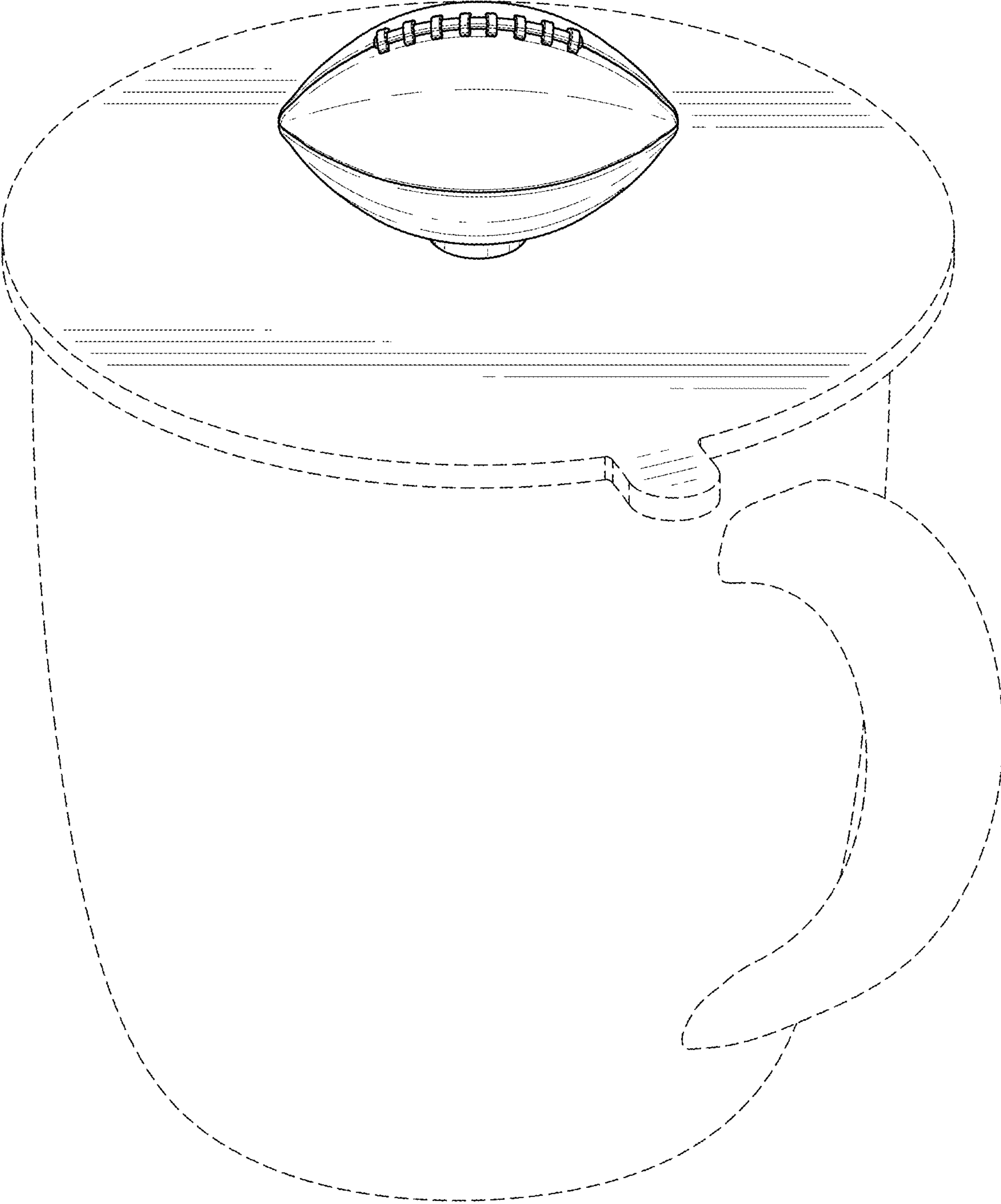


FIG. 7