



US00D984256S

(12) **United States Design Patent** (10) **Patent No.:** **US D984,256 S**
Chan (45) **Date of Patent:** **** Apr. 25, 2023**

(54) **JACK STAND MOUNT**

OTHER PUBLICATIONS

(71) Applicant: **KEM Trading INC**, San Gabriel, CA (US)

Amazon, Kei Project Jack Stand Wall Mount Organizer Brackets Fits 2 & 3 Ton Jack Stands (Pair) (Fits 2 & 3 Ton), Oct. 13, 2021, <https://a.co/d/btjrR7Y> (Year: 2021).*

(72) Inventor: **Kevin Chan**, Monrovia, CA (US)

* cited by examiner

(**) Term: **15 Years**

Primary Examiner — Keli L Hill

Assistant Examiner — Harold E Blackwell, II

(21) Appl. No.: **29/804,183**

(74) *Attorney, Agent, or Firm* — Tommy S F Wang; Wang IP Law Group, P.C.

(22) Filed: **Aug. 18, 2021**

(57) **CLAIM**

(51) **LOC (14) Cl.** **08-05**

The ornamental design for a jack stand mount, as shown and described.

(52) **U.S. Cl.**

DESCRIPTION

USPC **D8/380**

(58) **Field of Classification Search**

USPC D8/349, 354, 363, 373, 380, 381, 384, D8/385

CPC E04B 1/41

See application file for complete search history.

FIG. 1 is a perspective view of a jack stand mount showing, my new design;
FIG. 2 is a front view thereof;
FIG. 3 is a rear view thereof;
FIG. 4 is a left side view thereof;
FIG. 5 is a right side view thereof;
FIG. 6 is a top view thereof; and
FIG. 7 is a bottom view thereof; and,
FIG. 8 is a view showing jack stands mounted to the jack stand mount.

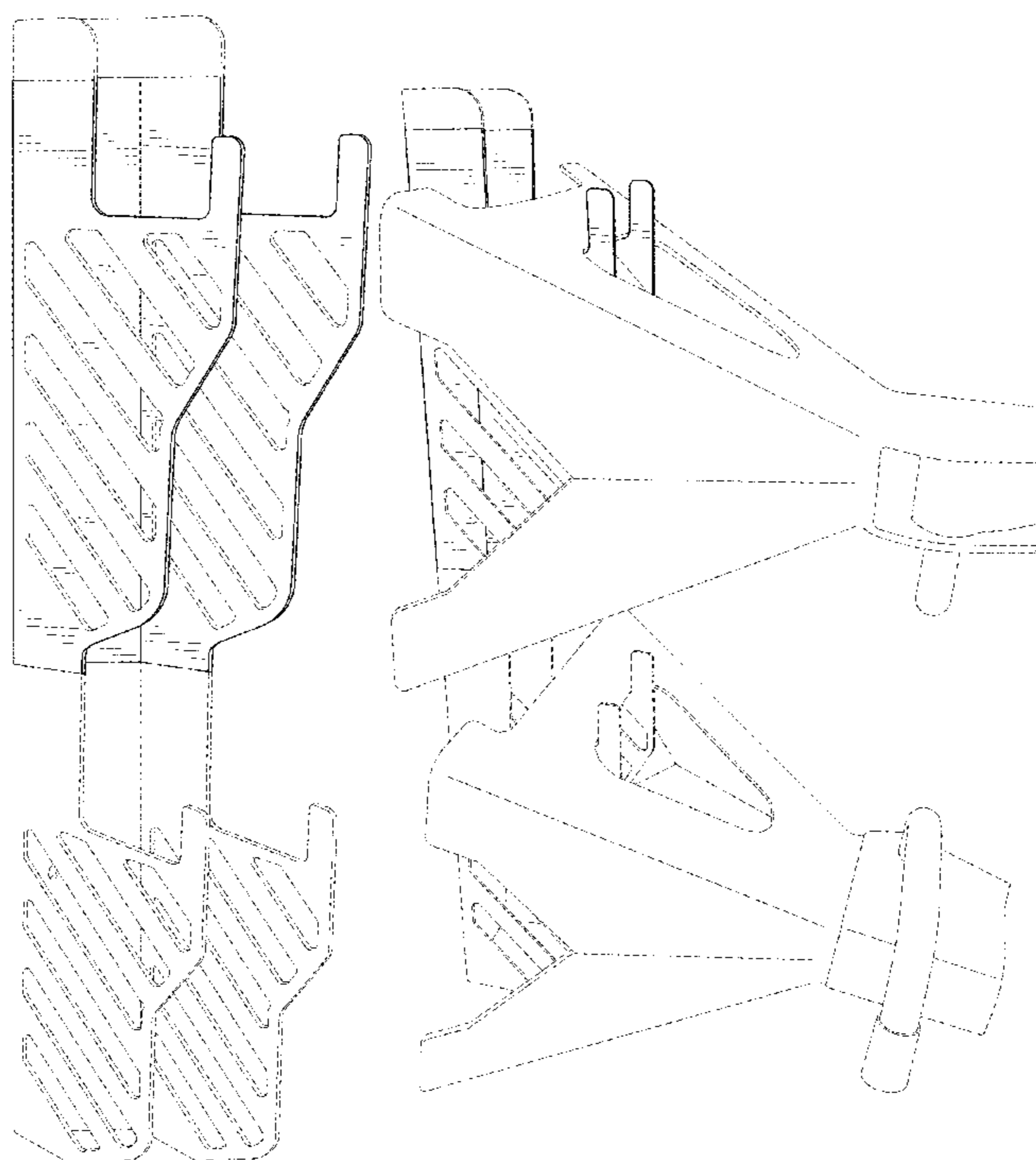
(56) **References Cited**

U.S. PATENT DOCUMENTS

D289,605 S *	5/1987	Lytle	D8/381
D375,718 S *	11/1996	Lazzeroni	D12/114
D408,721 S *	4/1999	Sartini	D8/363
D543,840 S *	6/2007	Belokin	D8/381
D550,540 S *	9/2007	Nawrocki	D8/354
D832,083 S *	10/2018	Larsen	D8/354
D845,119 S *	4/2019	Hutchison	A63B 27/00
			D8/394
D870,544 S *	12/2019	Lai	D8/382
D891,229 S *	7/2020	Hohmann, Jr.	D8/354
2016/0305113 A1 *	10/2016	Hatzinikolas	E04F 13/0857

The broken line portions of the jack stand mount in FIGS. 1-8 represent unclaimed portions of the claimed design and form no part thereof. The broken line portions of the jack stands in FIG. 8 represent unclaimed portions of the claimed design and form no part thereof. The dot-dash broken lines in FIGS. 1-6 and 8 represent unclaimed boundary lines and form no part of the claimed design.

1 Claim, 5 Drawing Sheets



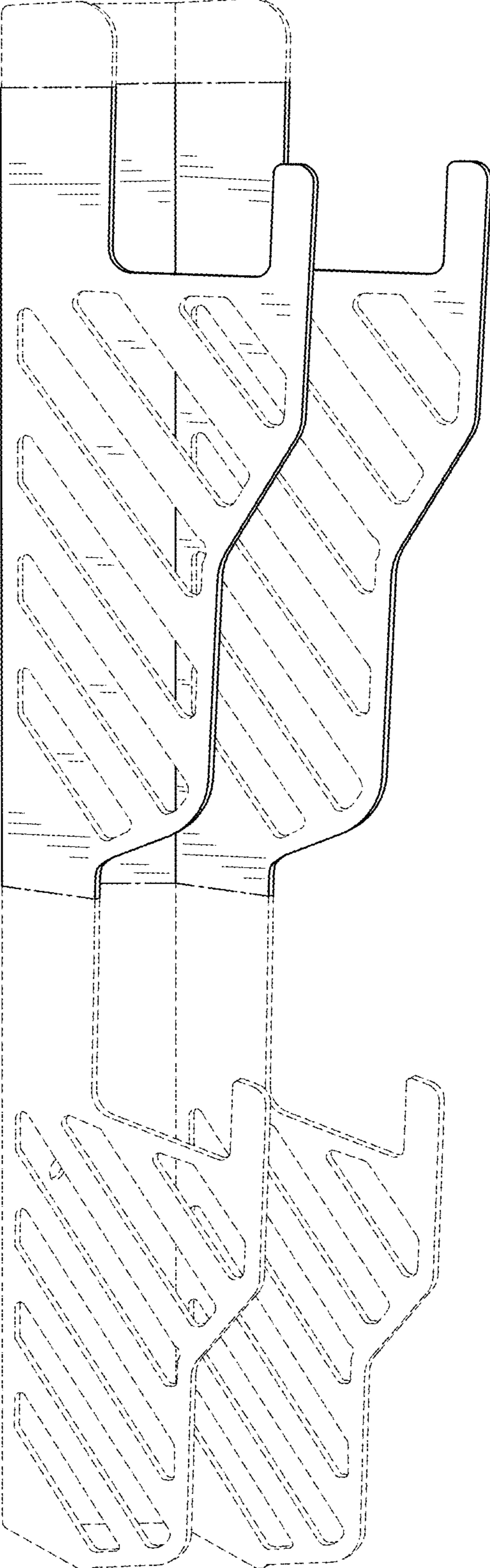


FIG. 1

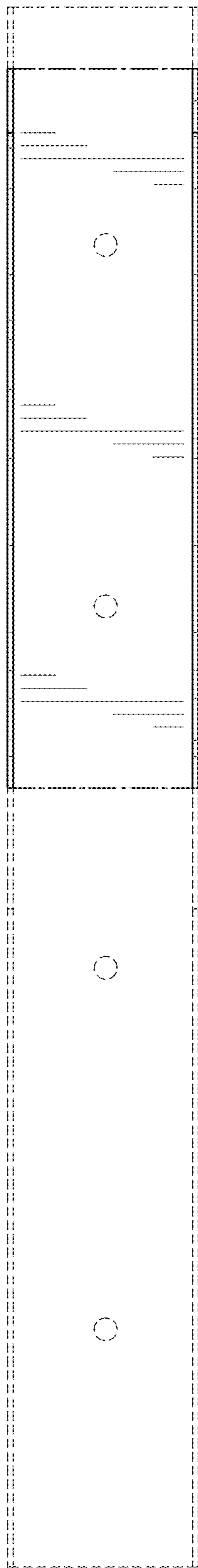


FIG. 2

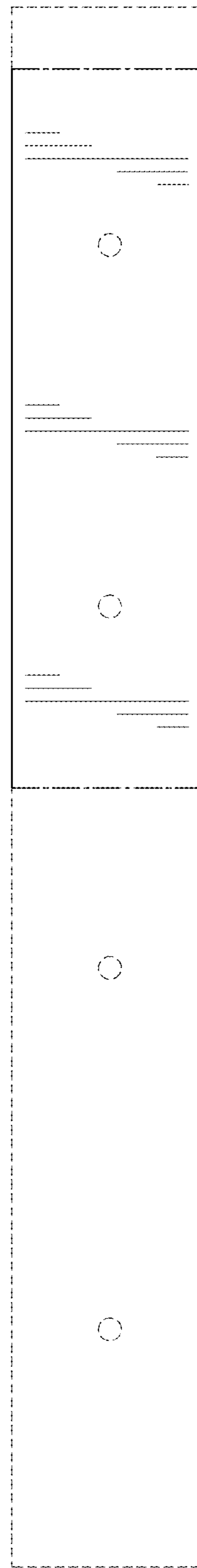


FIG. 3

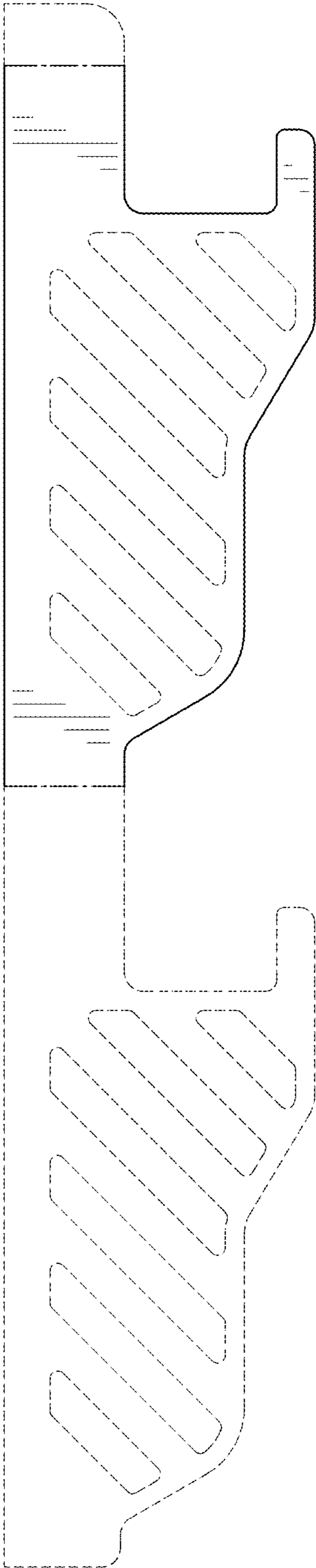


FIG. 4

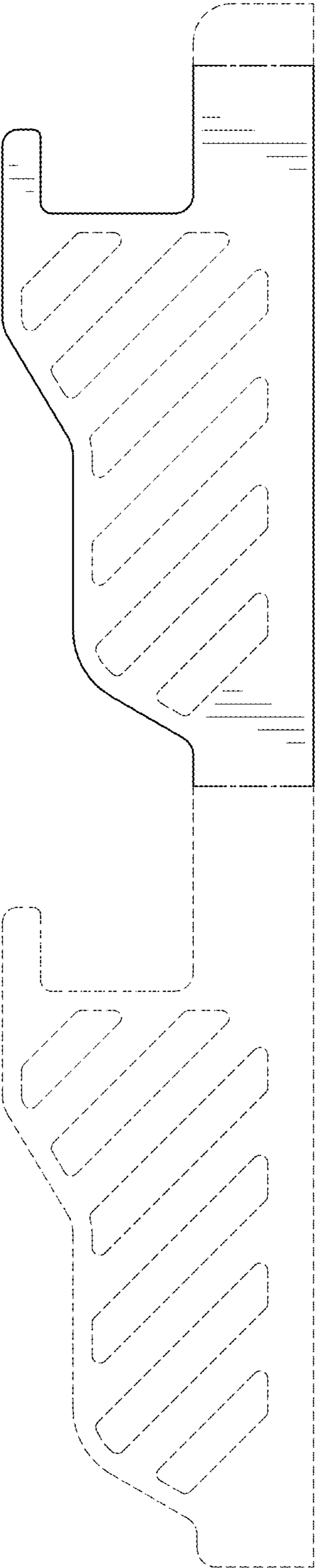


FIG. 5

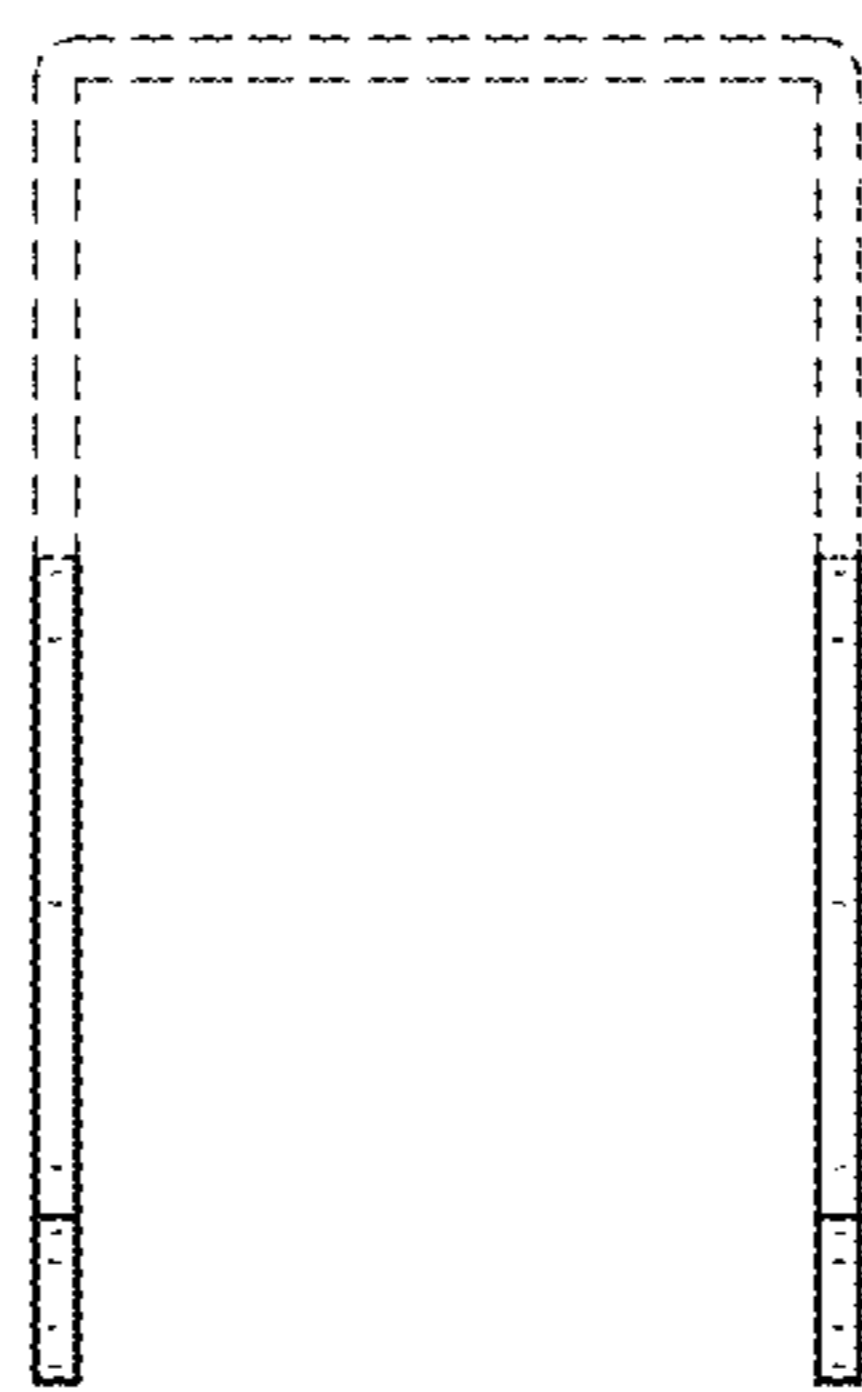


FIG. 6

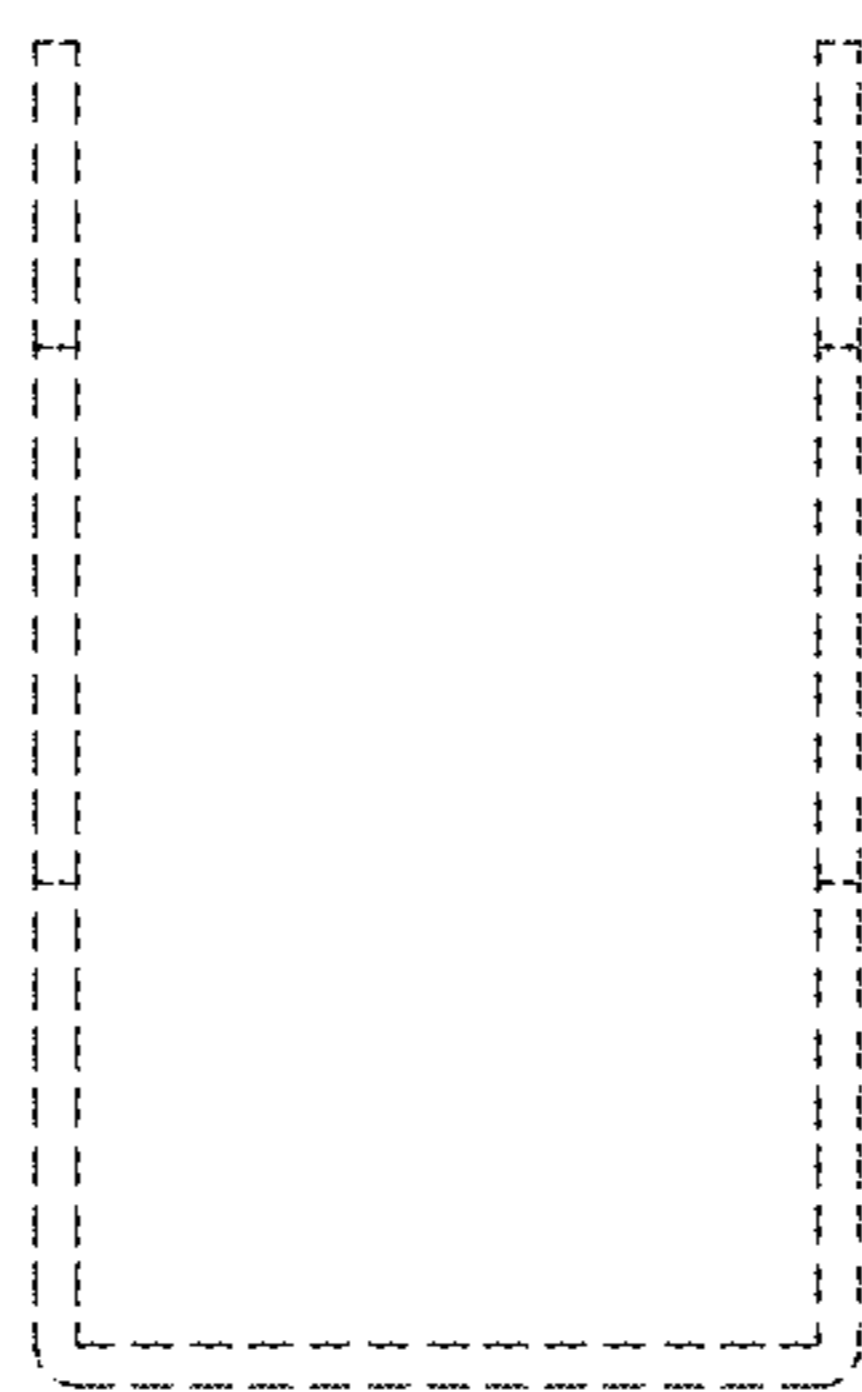


FIG. 7

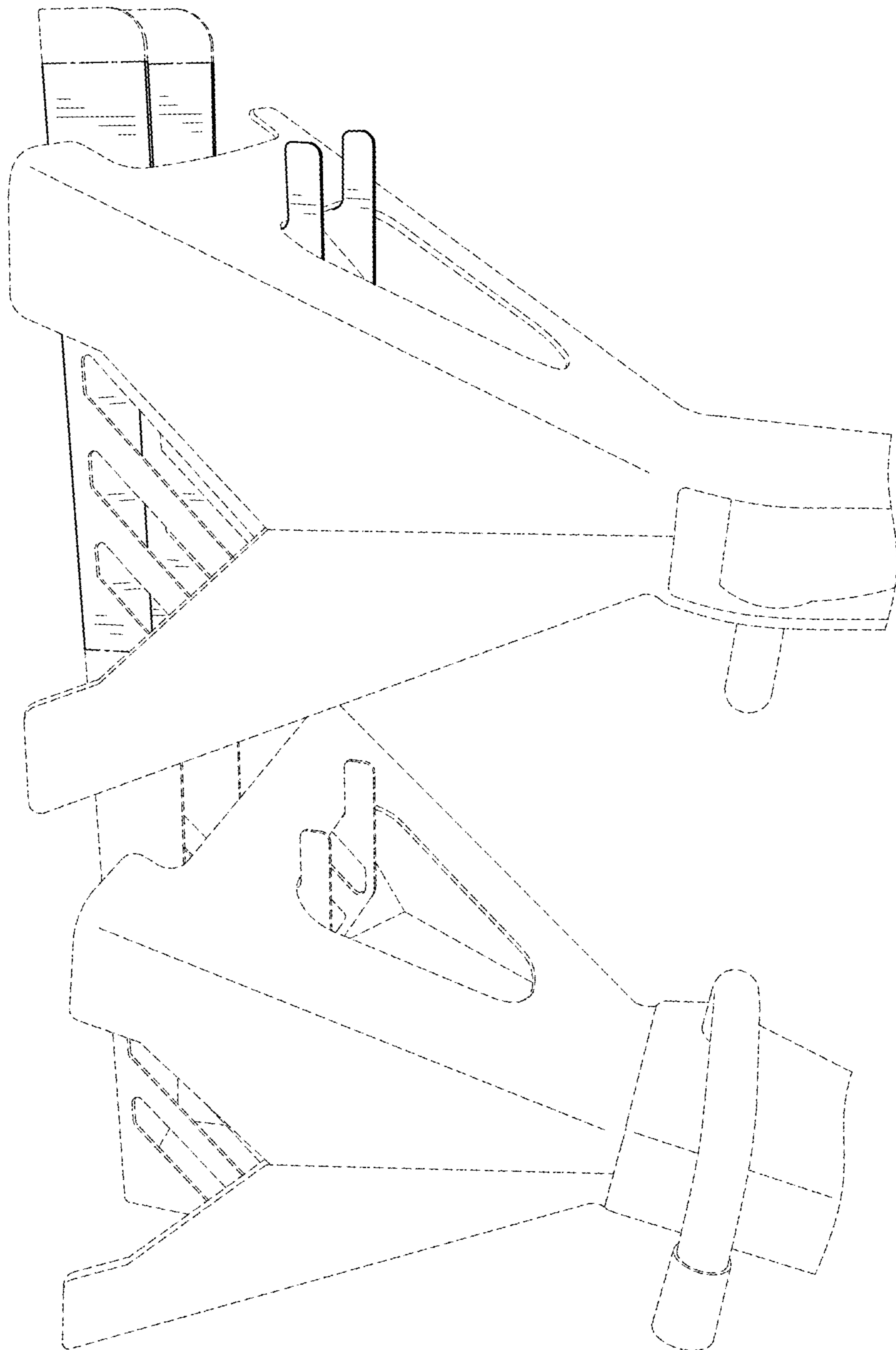


FIG. 8