



US00D984254S

(12) **United States Design Patent** (10) **Patent No.:** **US D984,254 S**
Wang (45) **Date of Patent:** **** Apr. 25, 2023**

(54) **CURTAIN ROD**
(71) Applicant: **Xingkun Wang**, Beijing (CN)
(72) Inventor: **Xingkun Wang**, Beijing (CN)
(73) Assignee: **Xingkun Wang**, Beijing (CN)
(**) Term: **15 Years**
(21) Appl. No.: **29/852,711**
(22) Filed: **Sep. 8, 2022**
(51) **LOC (14) Cl.** **08-03**
(52) **U.S. Cl.**
USPC **D8/376**
(58) **Field of Classification Search**
USPC D8/354, 16-17, 19, 37, 47, 71, 89, 101,
D8/363, 373, 376-377, 390-391, 404,
D8/512, 524, 528, 534, 67; D6/512, 524,
D6/528, 534, 67; D25/119, 122, 123;
D12/190, 195, 678, 679, 701, 808, 803
See application file for complete search history.

(56) **References Cited**
U.S. PATENT DOCUMENTS
D389,038 S * 1/1998 Rosul D8/376
D490,294 S * 5/2004 Dayan D8/354
D556,841 S * 12/2007 Oates D21/679
D647,391 S 10/2011 Barrese

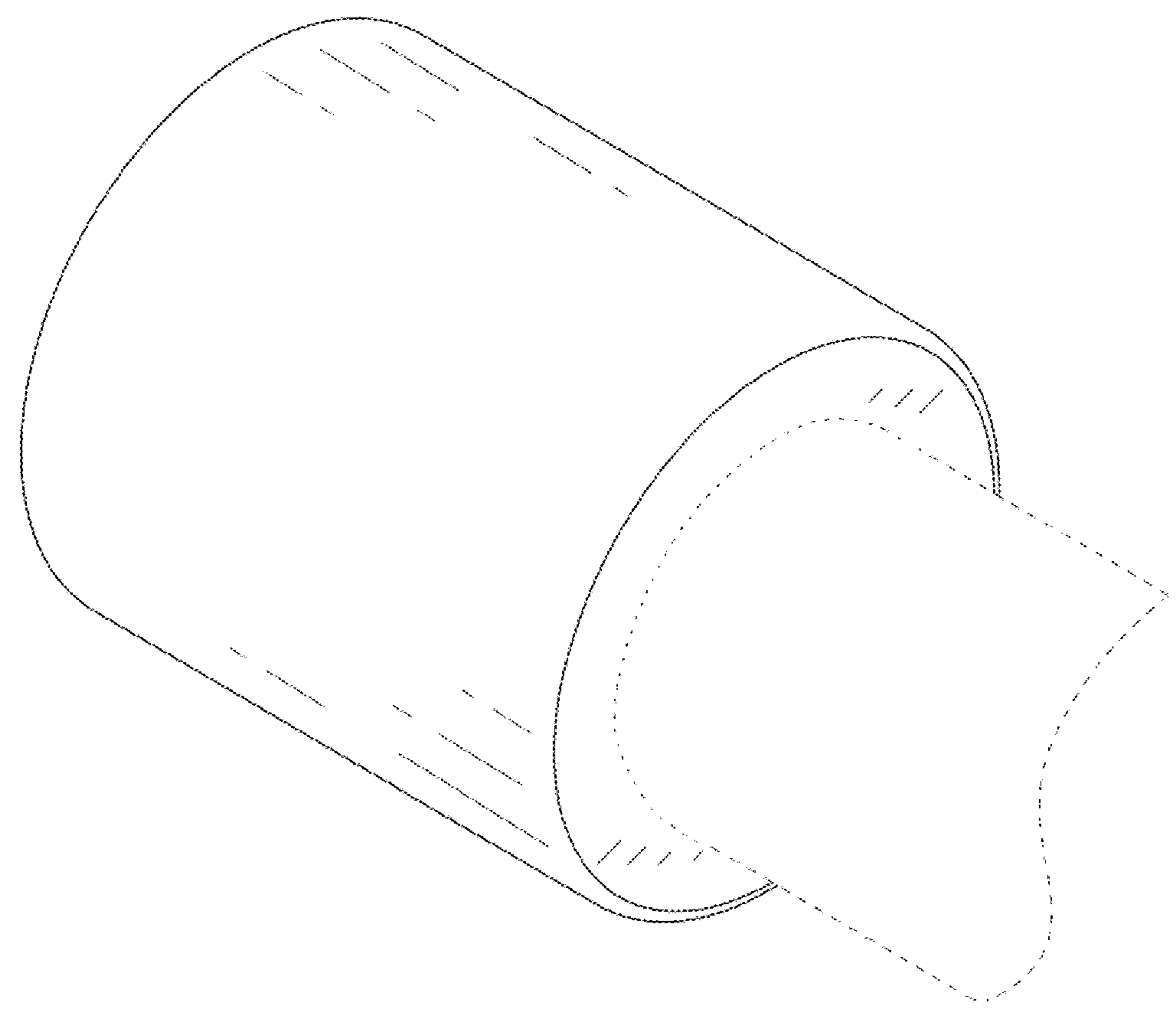
D757,190 S * 5/2016 Prenatt D21/680
D834,115 S * 11/2018 Gilbert D21/679
2009/0023563 A1* 1/2009 Liang A63B 21/072
482/106
2014/0259368 A1* 9/2014 Parker A47K 3/38
4/610

* cited by examiner
Primary Examiner — Khawaja Anwar
(74) *Attorney, Agent, or Firm* — Nitin Kaushik

(57) **CLAIM**
The ornamental design for a curtain rod, as shown and described.

DESCRIPTION
FIG. 1 is a top perspective view of a curtain rod, showing my new design;
FIG. 2 is a bottom perspective view thereof;
FIG. 3 is a front view thereof;
FIG. 4 is a rear view thereof;
FIG. 5 is a left side view thereof;
FIG. 6 is a right side view thereof;
FIG. 7 is a top view thereof; and,
FIG. 8 is a bottom view thereof.
The broken lines in the drawings illustrate the portions of the curtain rod, which form no part of the claimed design.

1 Claim, 8 Drawing Sheets



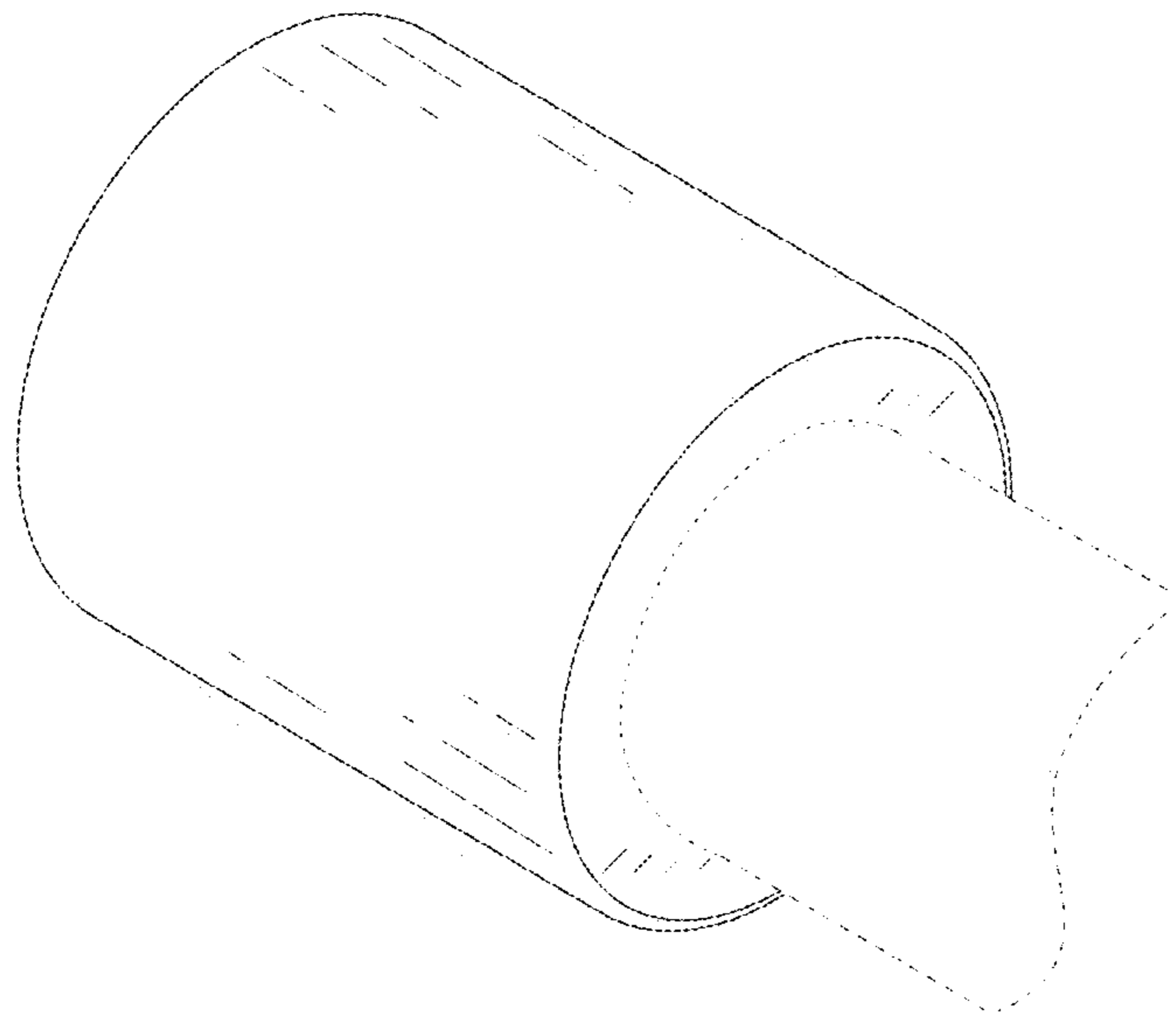


FIG. 1

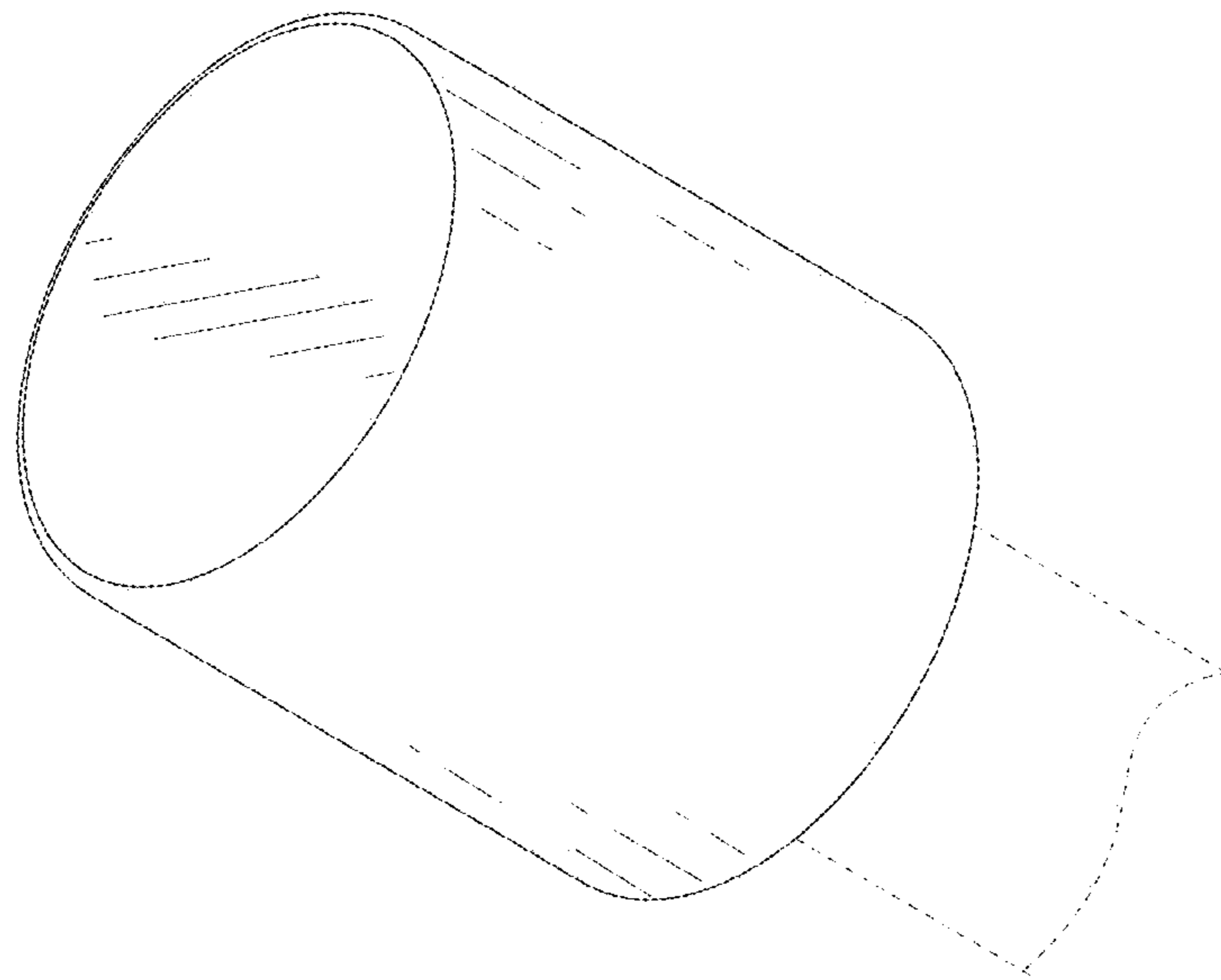


FIG. 2

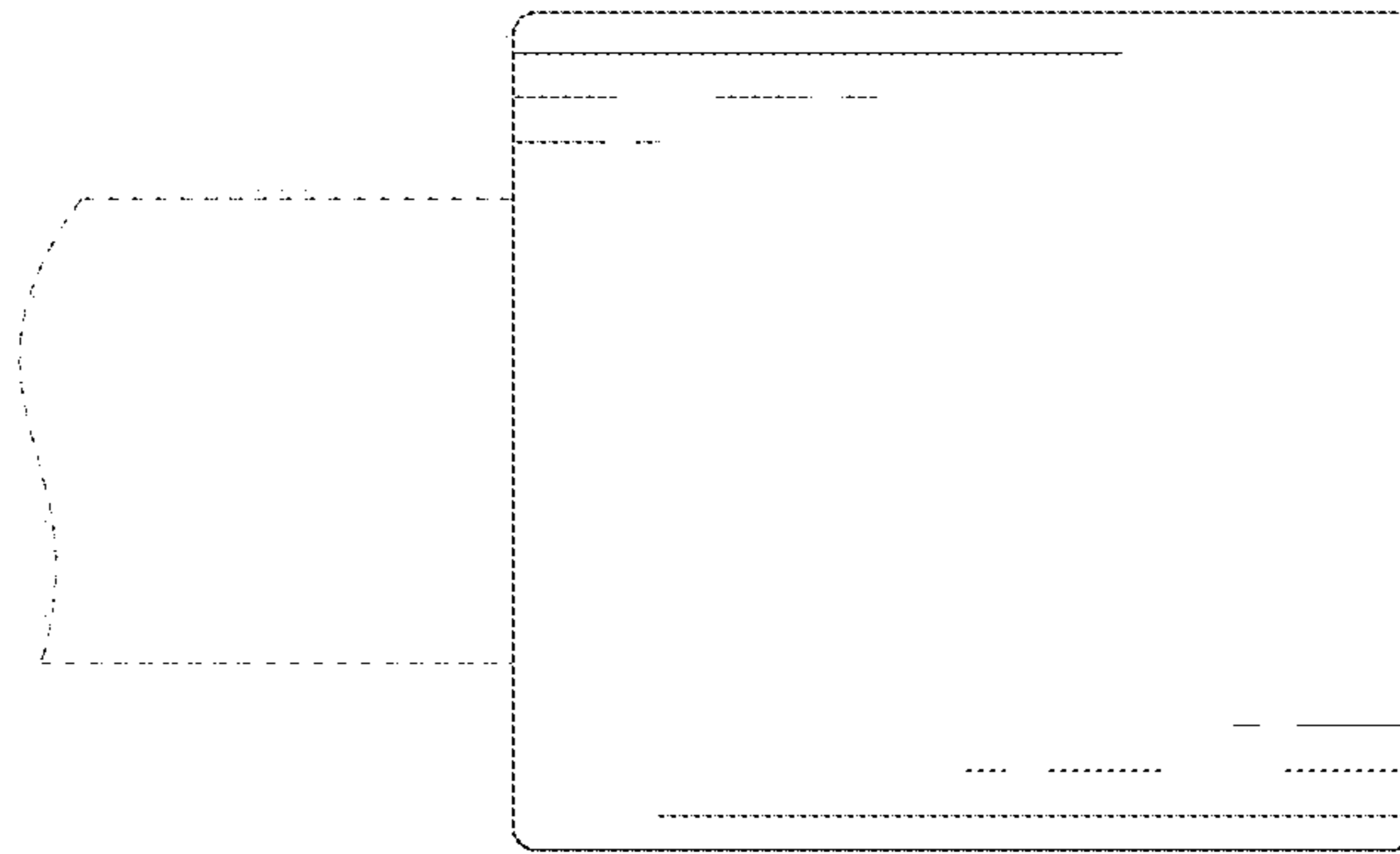


FIG. 3

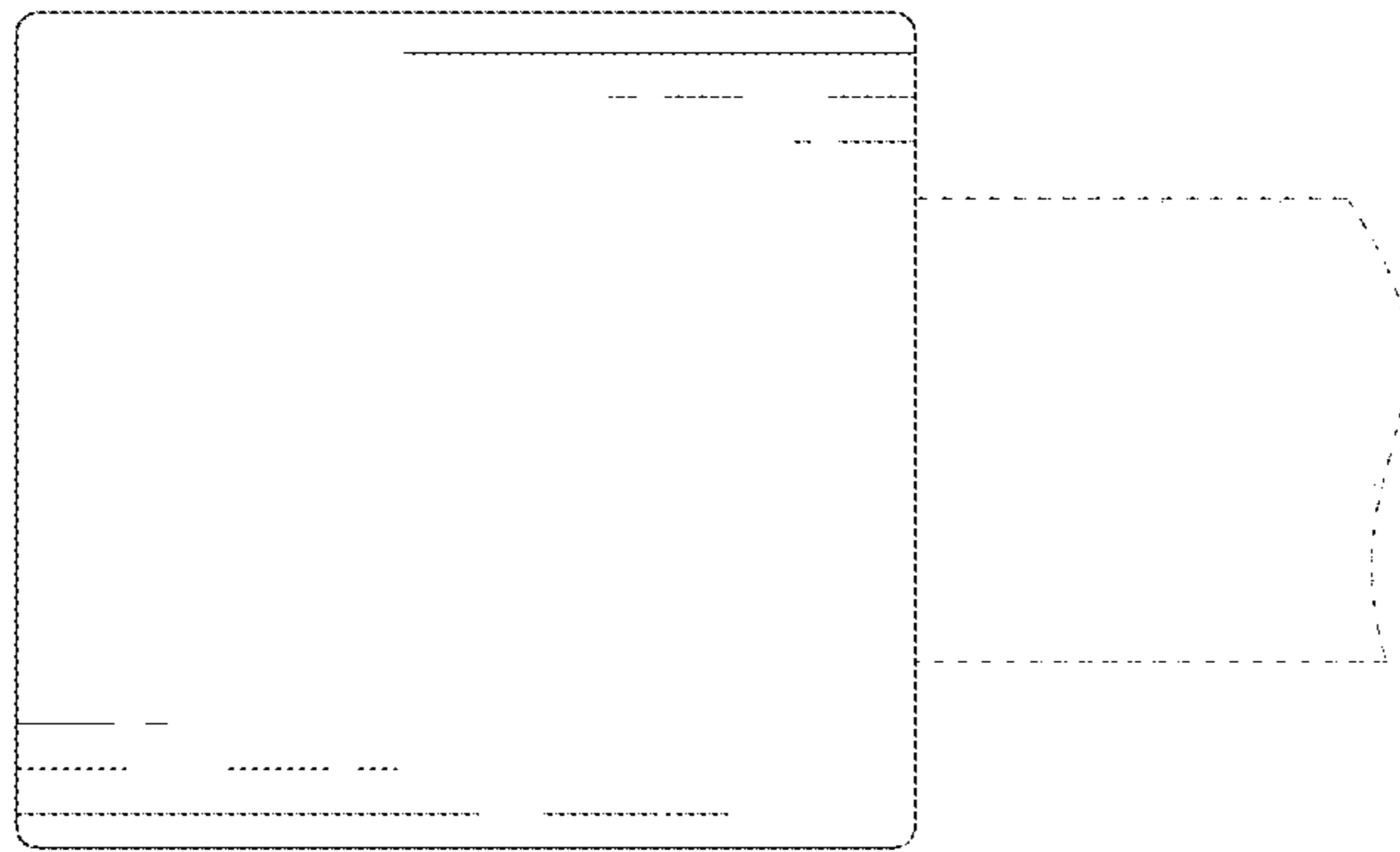


FIG. 4

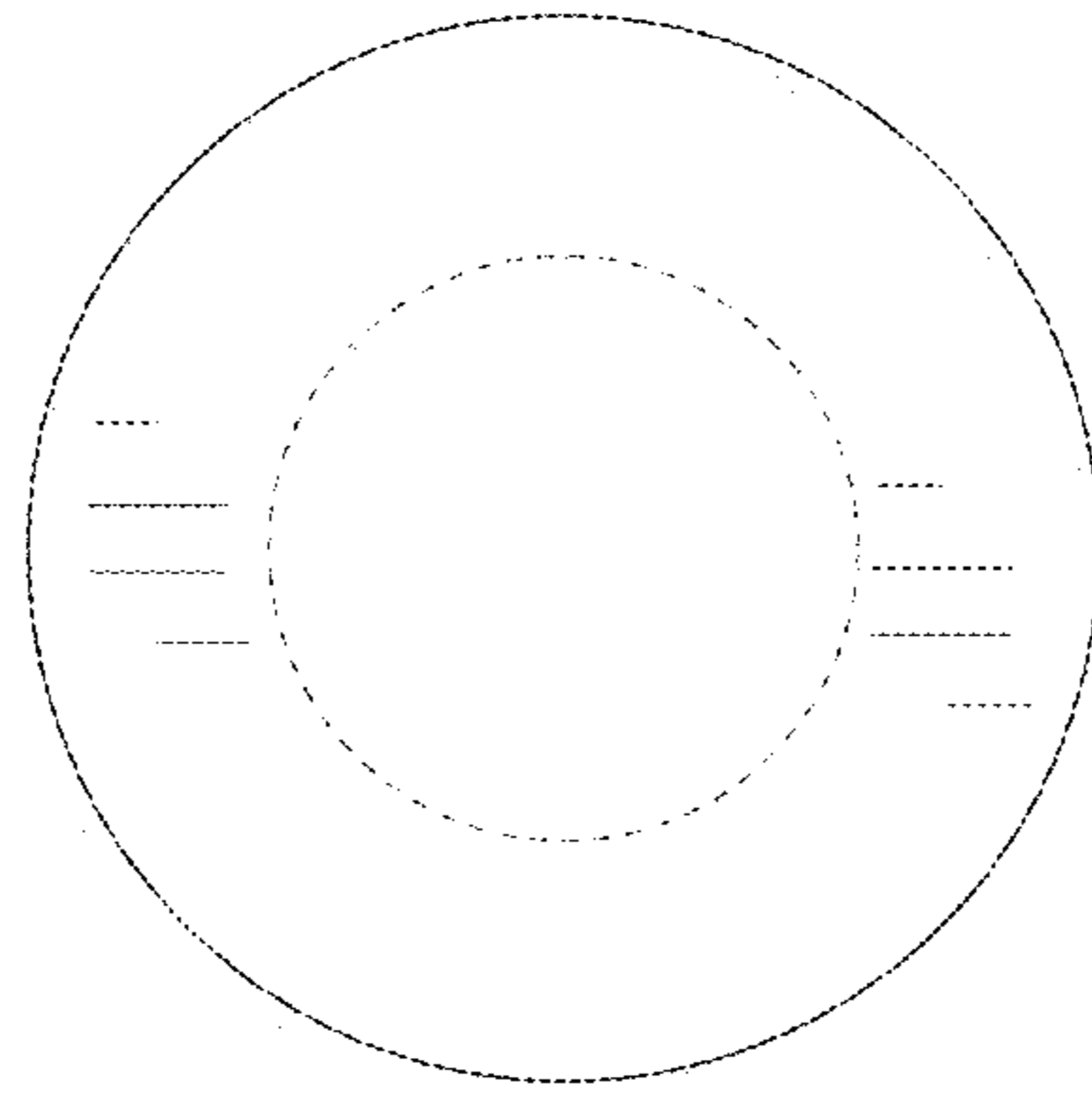


FIG. 5

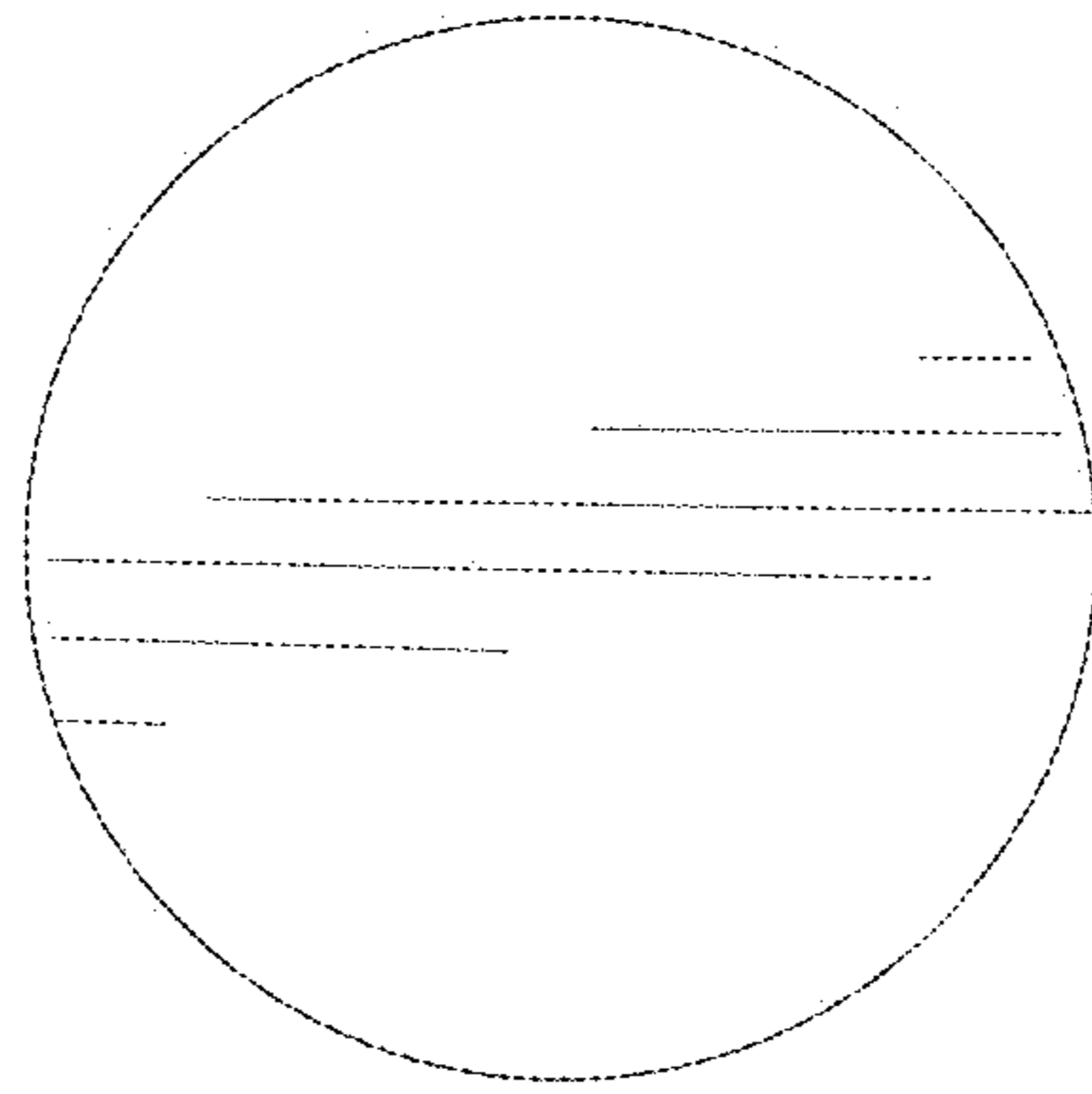


FIG. 6

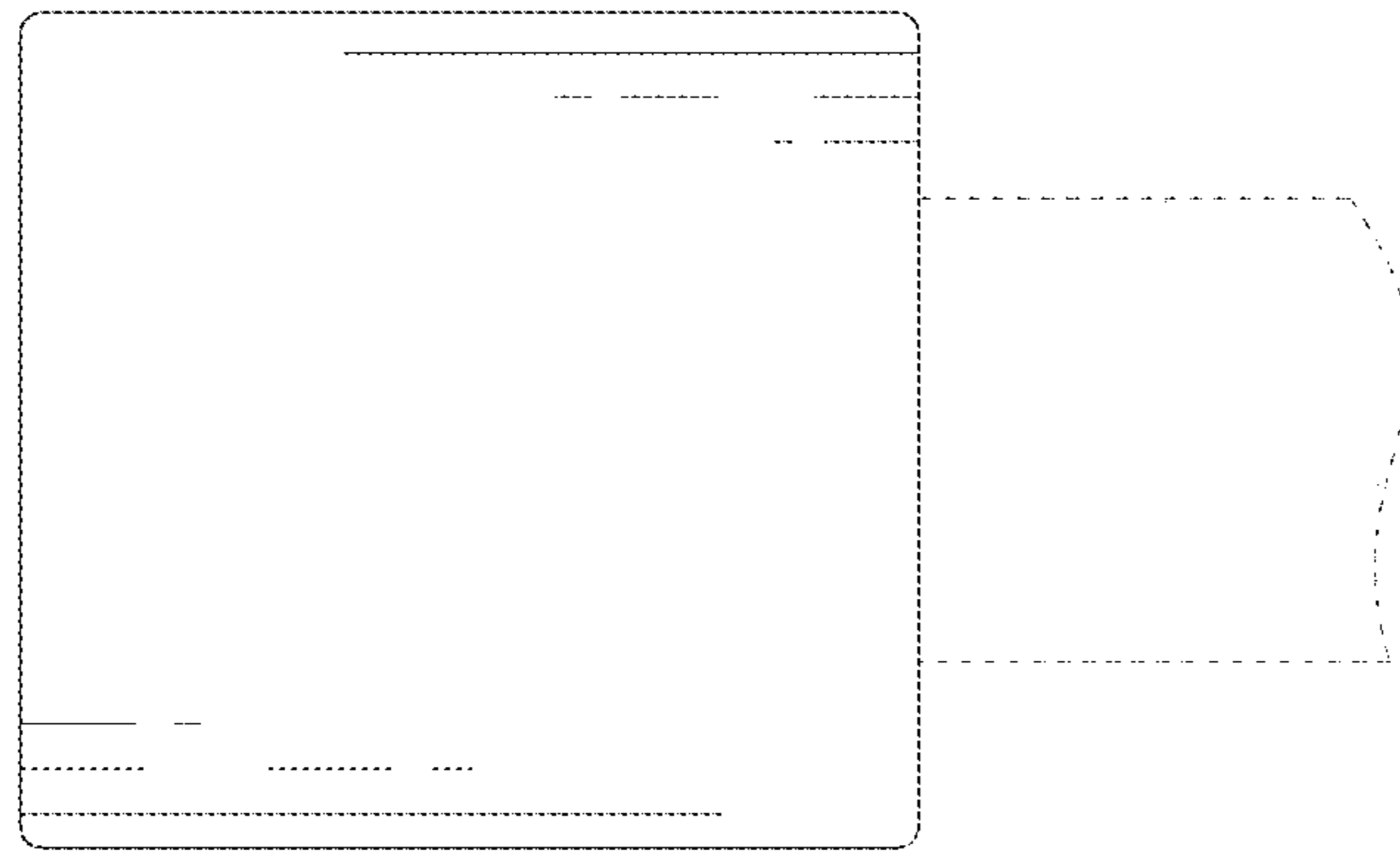


FIG. 7

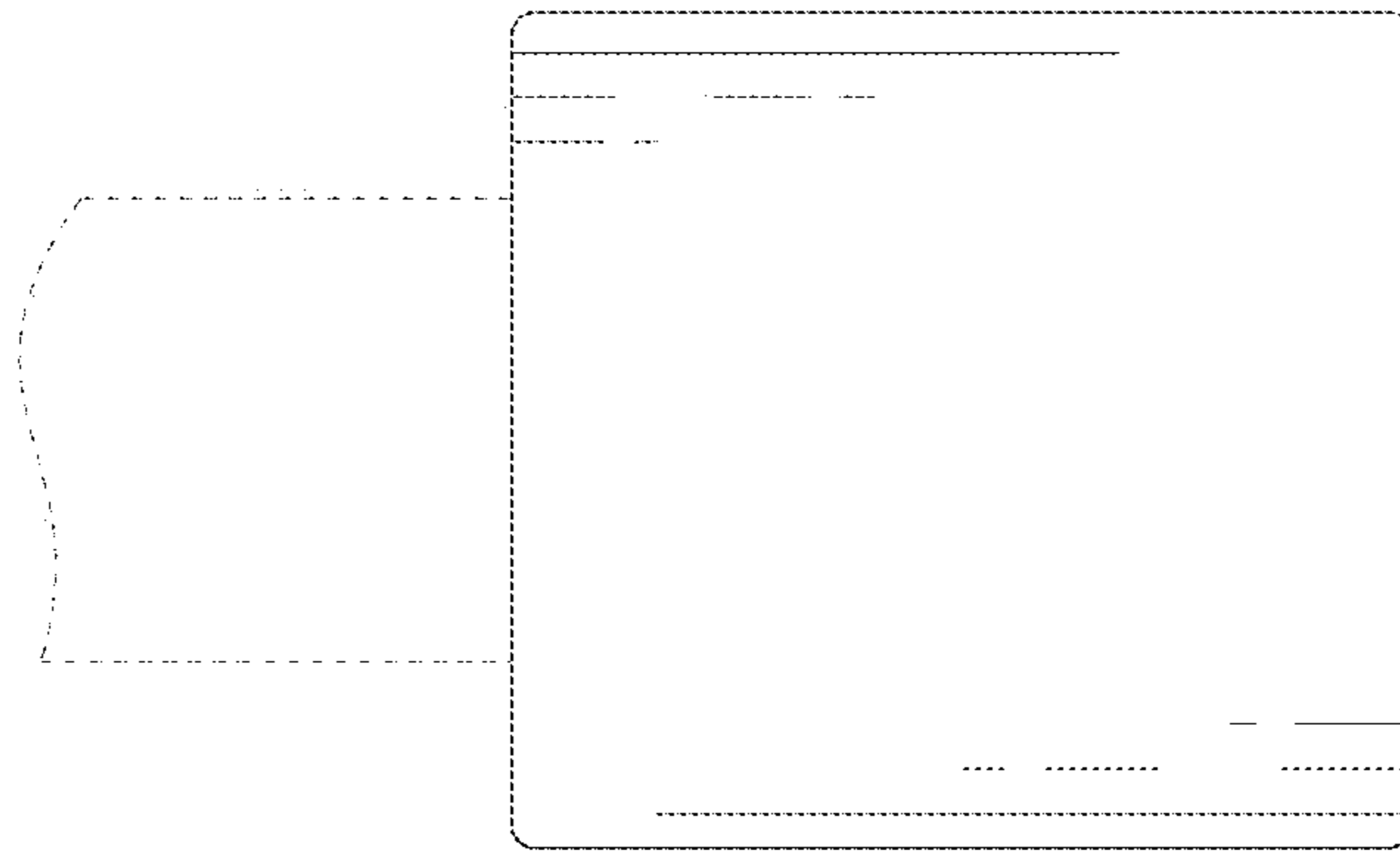


FIG. 8