



US00D984252S

(12) **United States Design Patent** (10) **Patent No.:** **US D984,252 S**
Deng (45) **Date of Patent:** **** Apr. 25, 2023**

(54) **FURNITURE RISER**
(71) Applicant: **Guofeng Deng**, Guangdong (CN)
(72) Inventor: **Guofeng Deng**, Guangdong (CN)
(**) Term: **15 Years**

D493,095 S * 7/2004 Sittig D8/374
D493,096 S * 7/2004 Sittig D8/374
D550,069 S * 9/2007 Milligan D8/374
D629,533 S * 12/2010 Ward D25/199
D653,088 S * 1/2012 Hansen D7/624.1
D661,575 S * 6/2012 Ruiz D8/374
9,033,293 B1 * 5/2015 Glenn A47B 91/005
248/346.11

(Continued)

(21) Appl. No.: **29/812,233**
(22) Filed: **Oct. 20, 2021**
(51) **LOC (14) Cl.** **08-11**
(52) **U.S. Cl.**
USPC **D8/374**
(58) **Field of Classification Search**
USPC D8/316, 358, 359, 363, 366, 370, 371,
D8/372, 373, 382, 374, 375, 376, 377;
D6/675, 685, 687, 690, 691.1, 691.2,
D6/691.3, 641, 671; D7/600, 400
CPC A47C 7/006; A47C 7/008; A47C 7/62;
A47C 7/002; A47C 19/024; A47C
19/045; A47B 91/06; A47B 91/066; A47B
97/00; A47B 7/00; A47B 13/08; A47B
91/00; A47B 19/00; A47B 91/005; A47B
91/04; A47B 91/12; B60T 3/00; A47F
1/065; G10C 3/16; F16M 11/24; E02D
27/01

See application file for complete search history.

(56) **References Cited**

U.S. PATENT DOCUMENTS

D44,952 S * 12/1913 Buser D8/374
D44,996 S * 12/1913 Buser D8/374
D45,196 S * 2/1914 Lawson D8/374
1,912,728 A * 6/1933 De Forest A47B 91/12
248/346.11
D336,843 S * 6/1993 Hurst D8/374
D338,360 S * 8/1993 Petersen D8/374
D379,061 S * 5/1997 Williams D8/374
6,219,981 B1 * 4/2001 Bergelt E02D 27/01
52/294
6,345,474 B1 * 2/2002 Triplett E02D 27/01
52/126.6
D487,695 S * 3/2004 Sittig D8/374

OTHER PUBLICATIONS

Umelee Washing Machine Lift Stand, by Umelee on Amazon.com. Dated Nov. 9, 2021. Found online [Jan. 20, 2023] <https://www.amazon.co.jp/-/en/Anti-Vibration-Refrigerator-Furniture-Adjustable-Vibration/dp/B09LH7FDG8?th=1>.*

Primary Examiner — Eliza Z Harvey
Assistant Examiner — Kayla Marie Bennett

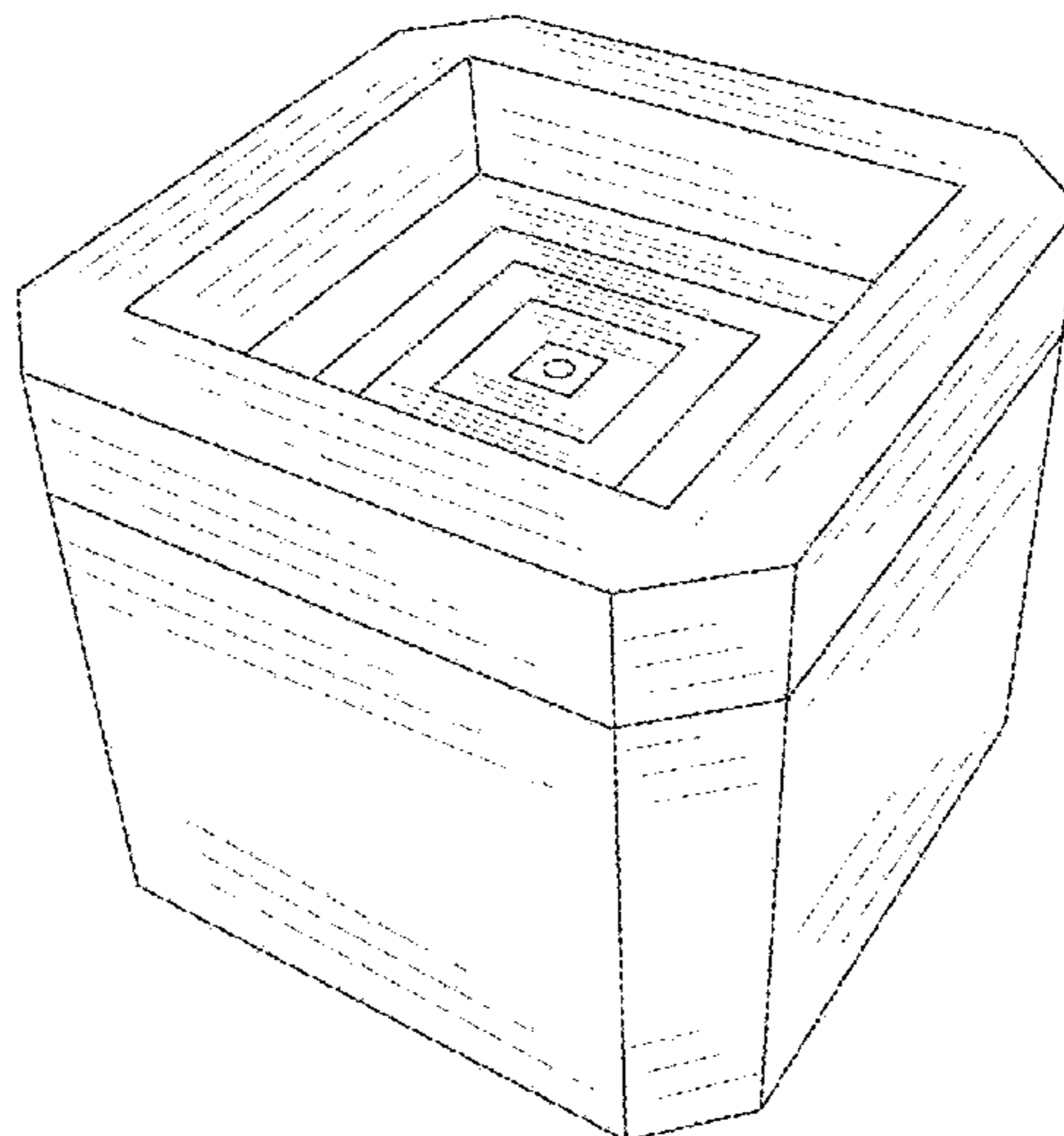
(57) **CLAIM**

The ornamental design for a furniture riser, as shown and described.

DESCRIPTION

FIG. 1 is a perspective view of a furniture riser design showing my new design.
FIG. 2 is an exploded view of a furniture riser.
FIG. 3 is a front view of a furniture riser.
FIG. 4 is a rear view of a furniture riser.
FIG. 5 is a left side view of a furniture riser.
FIG. 6 is a right side view of a furniture riser.
FIG. 7 is a top view of a furniture riser.
FIG. 8 is a bottom view of a furniture riser.
FIG. 9 is a cross-sectional view of a furniture riser taken along line 9-9 in FIG. 3; and,
FIG. 10 is cross-sectional view of a furniture riser taken along line 10-10 in FIG. 4.
Any shading and cross-hatching are not features of the design but are utilized to illustrate the surface contours of the furniture riser design in the drawings.

1 Claim, 10 Drawing Sheets



(56)

References Cited

U.S. PATENT DOCUMENTS

D733,540	S	*	7/2015	Merey	D8/374
D734,135	S	*	7/2015	Merey	D8/374
D736,607	S	*	8/2015	Sheldon	D8/374
D764,902	S	*	8/2016	Clarke	D8/374
D784,120	S	*	4/2017	Abdi	D8/374
D893,288	S	*	8/2020	Wendling	D8/374
D894,720	S	*	9/2020	Wendling	D8/374
D896,621	S	*	9/2020	Wendling	D8/374
D896,622	S	*	9/2020	Wendling	D8/374
D898,118	S	*	10/2020	Jo	D14/374
D915,871	S	*	4/2021	Wendling	D8/374
D923,462	S	*	6/2021	Wendling	D8/374
D925,342	S	*	7/2021	Winthrop	D8/374
D929,212	S	*	8/2021	Guindi	D8/374
D941,130	S	*	1/2022	Wendling	D8/374
D949,673	S	*	4/2022	Wendling	A47C 7/006
						D8/374
D964,154	S	*	9/2022	Tu	D8/380

* cited by examiner

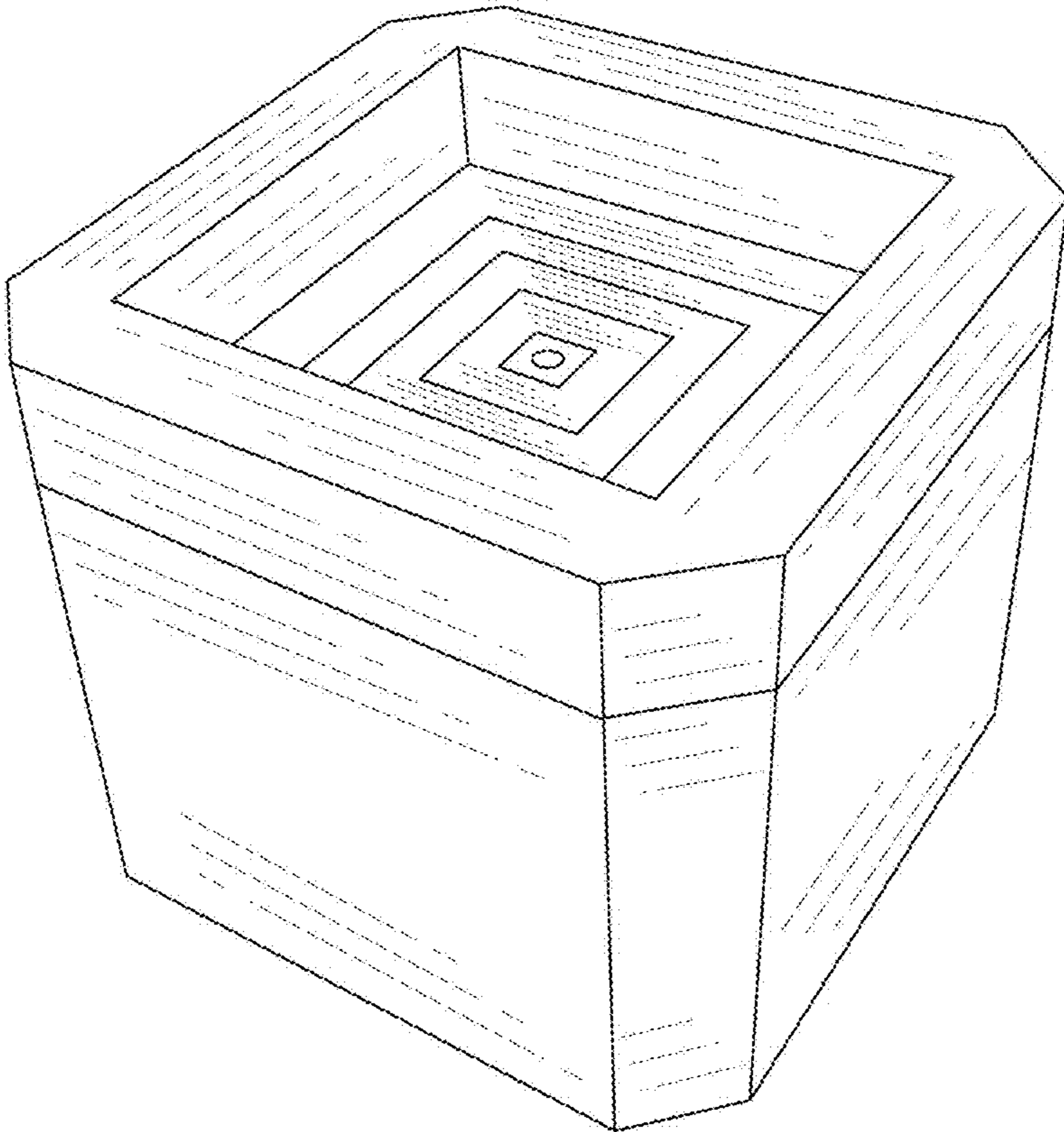


FIG. 1

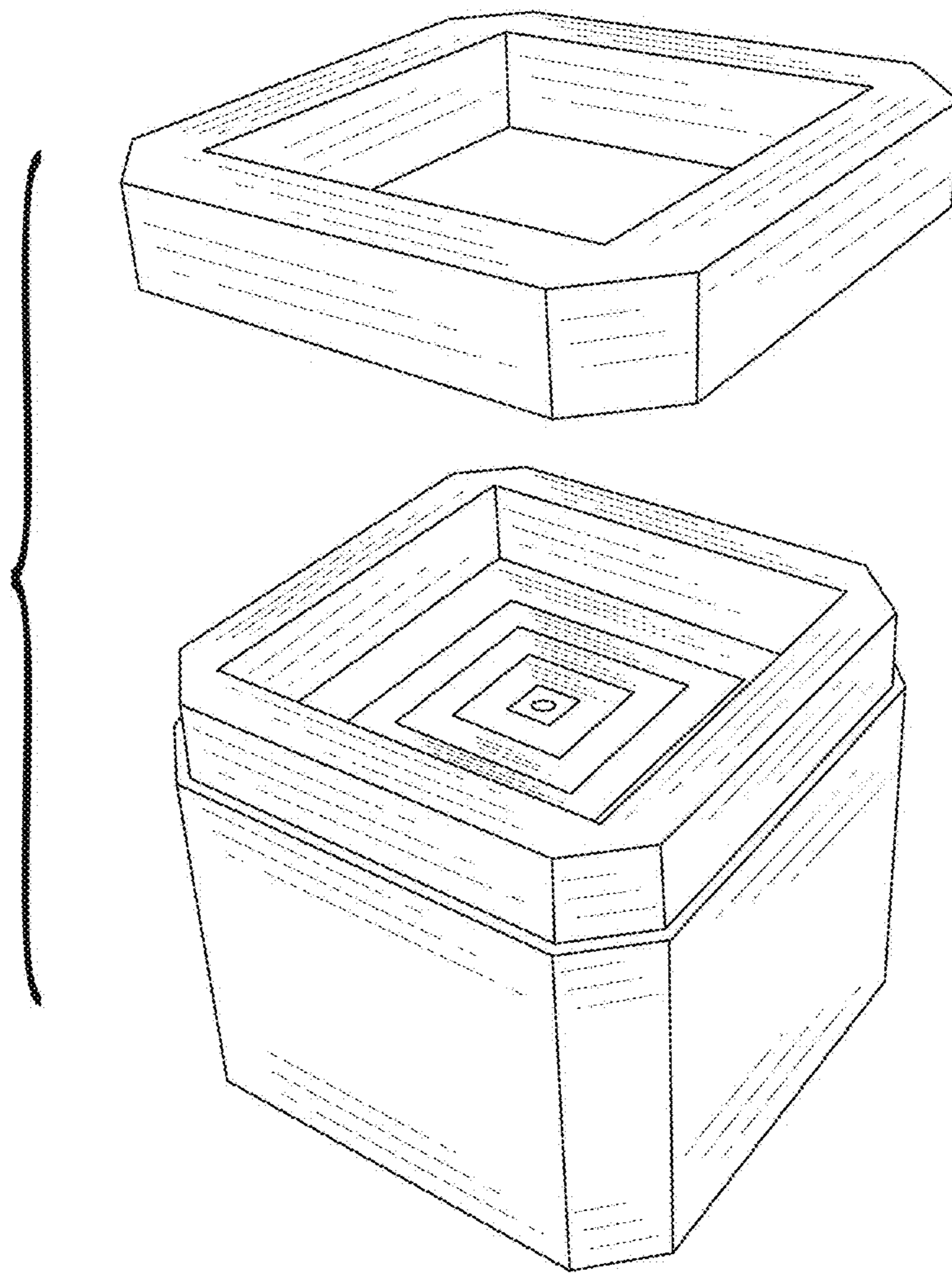


FIG. 2

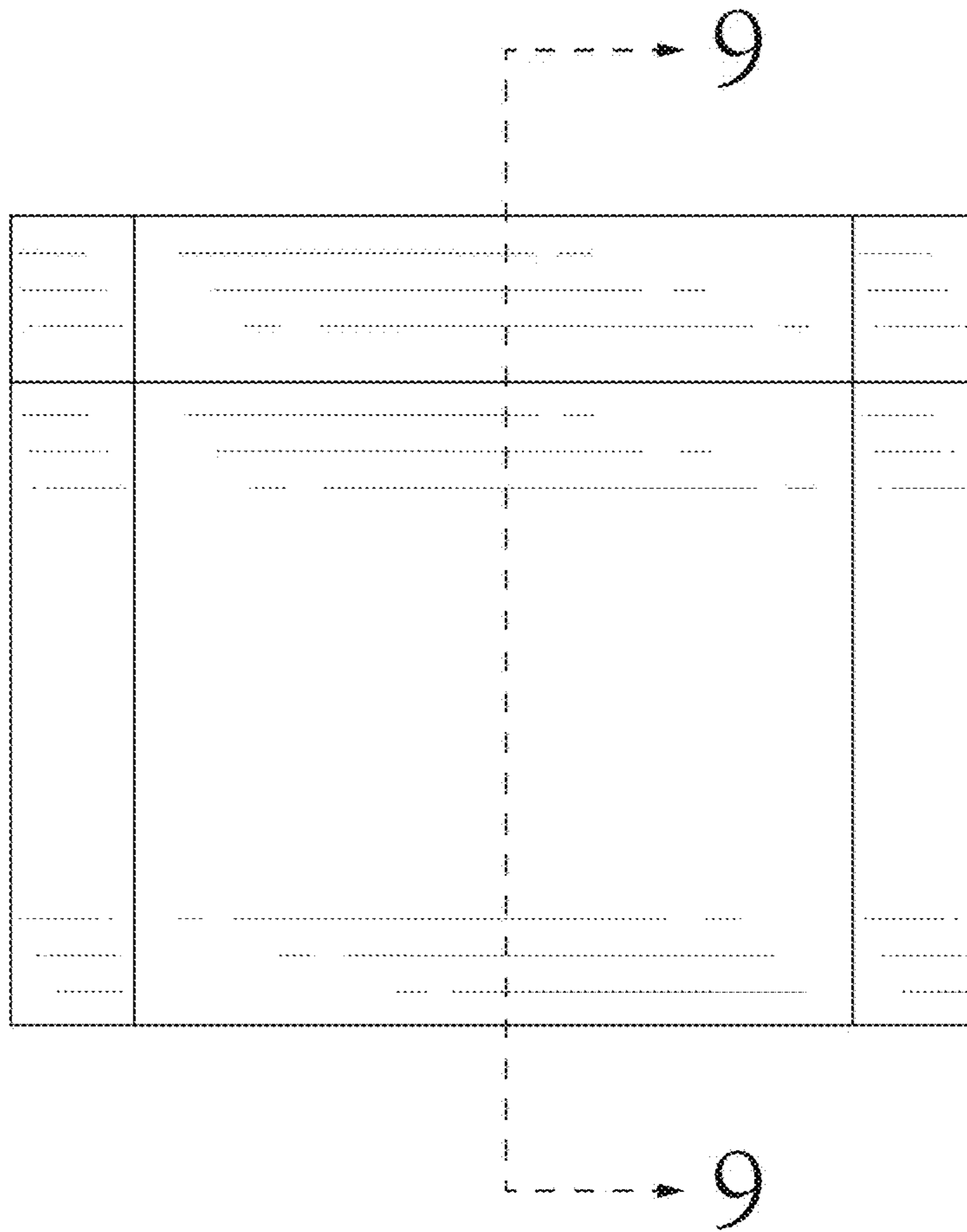


FIG. 3

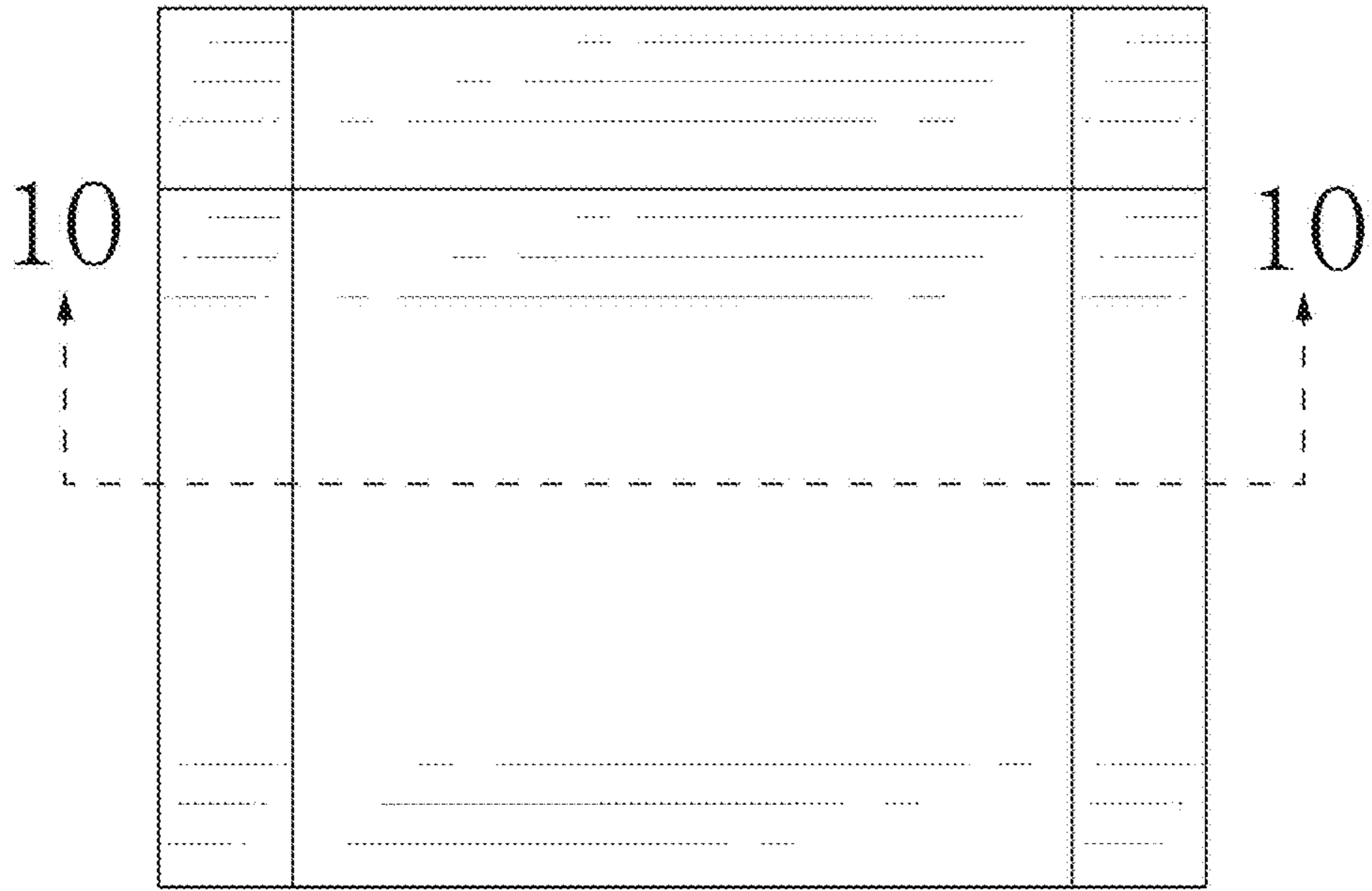


FIG. 4

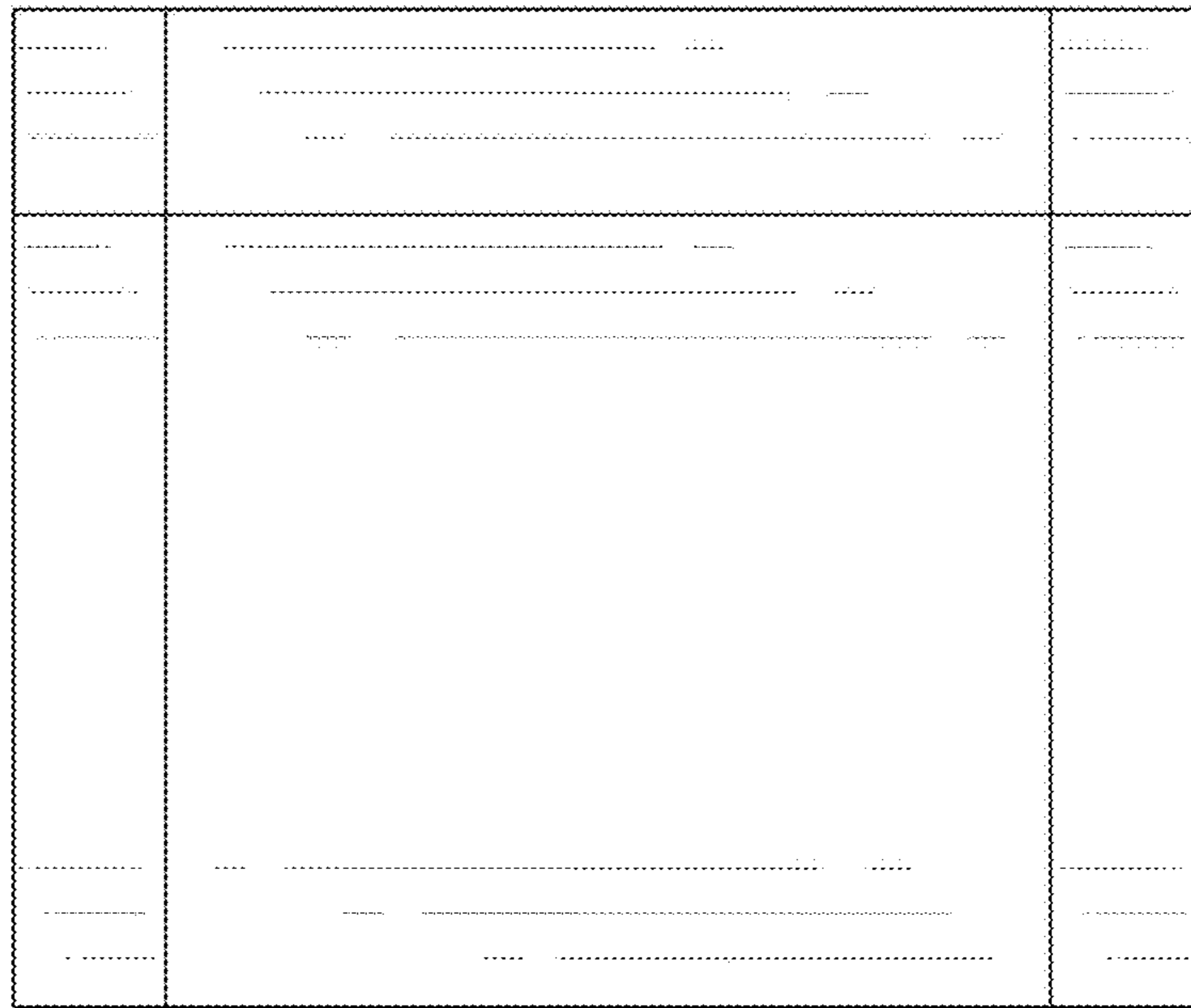


FIG. 5

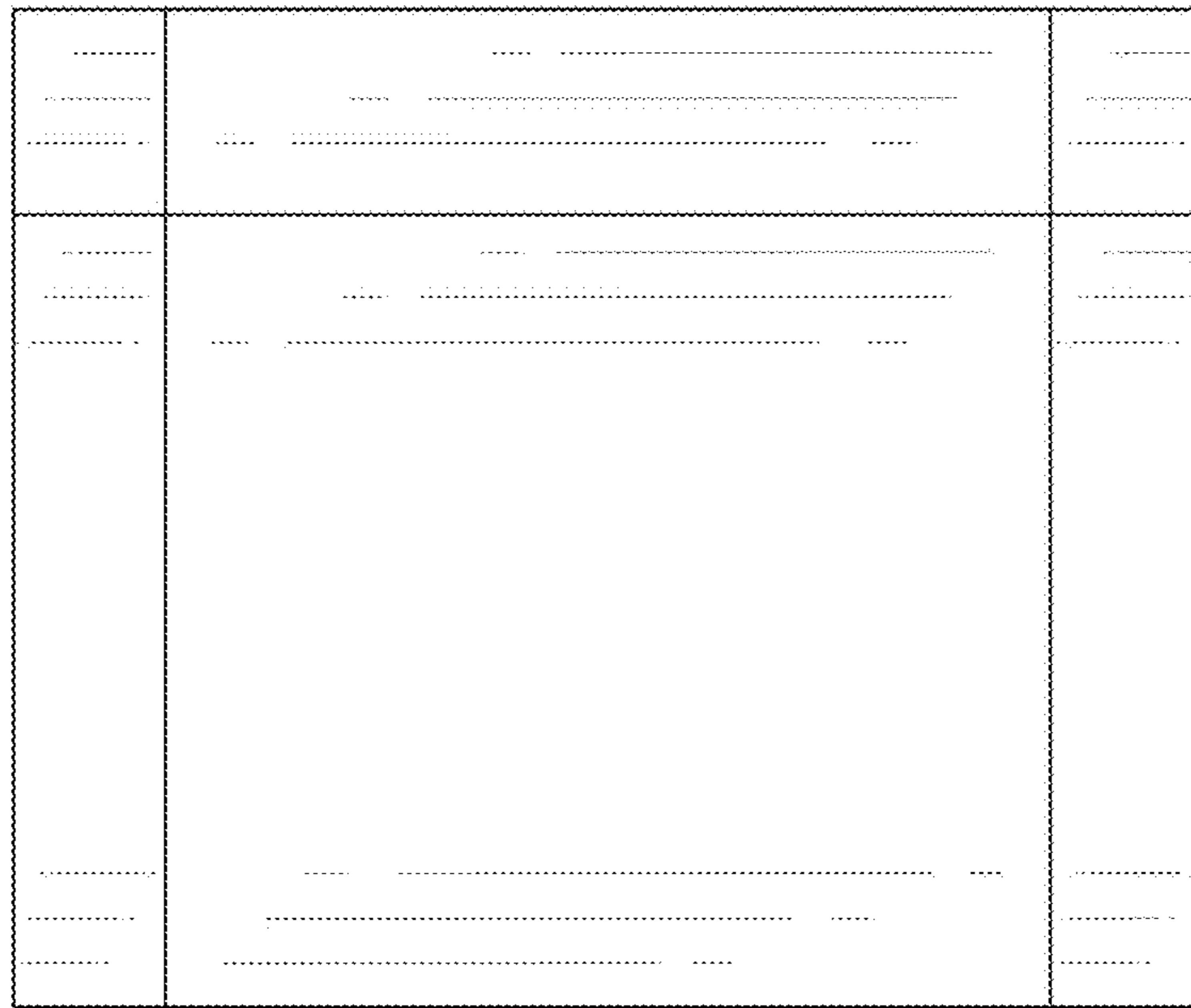


FIG. 6

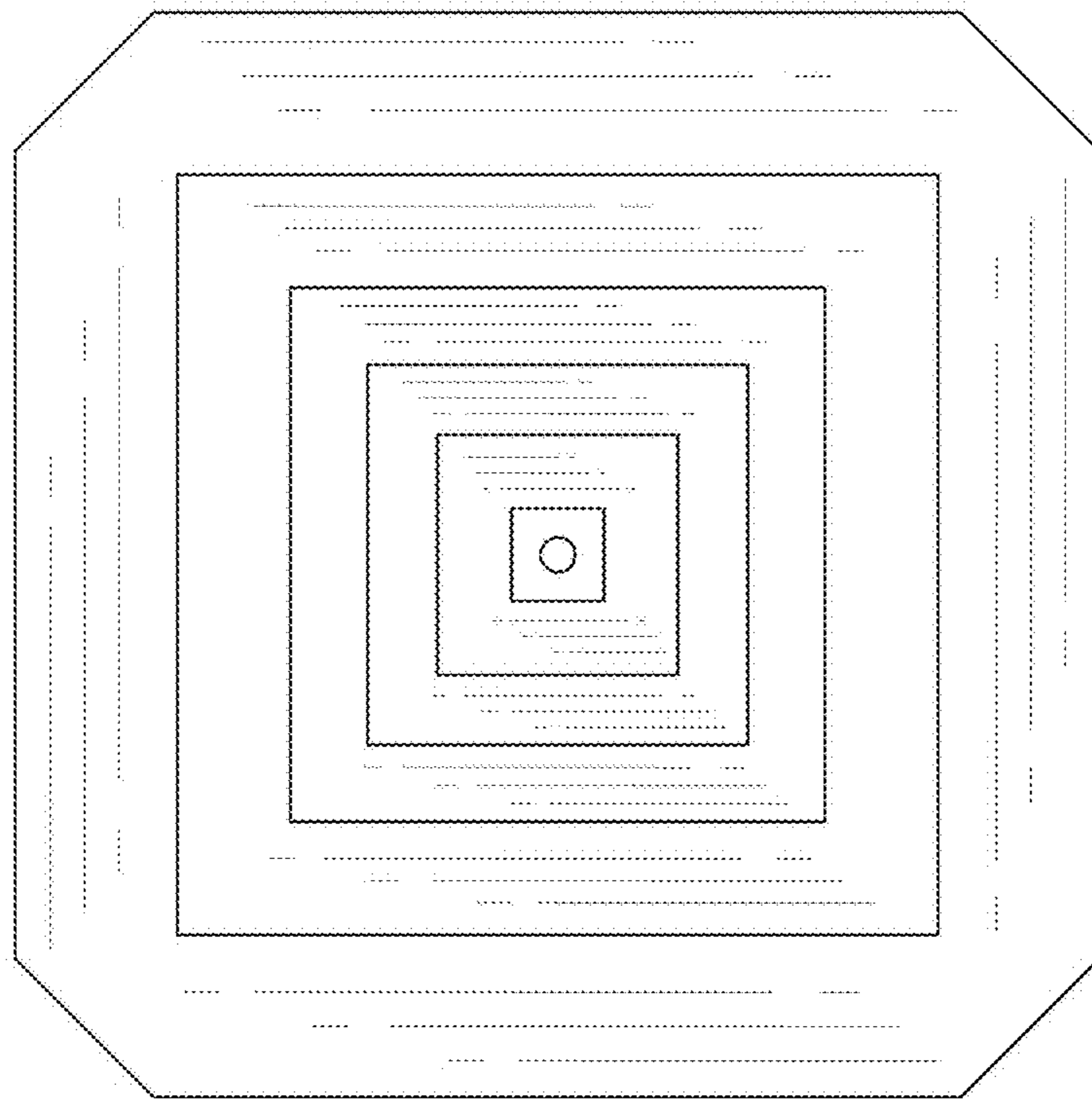


FIG. 7

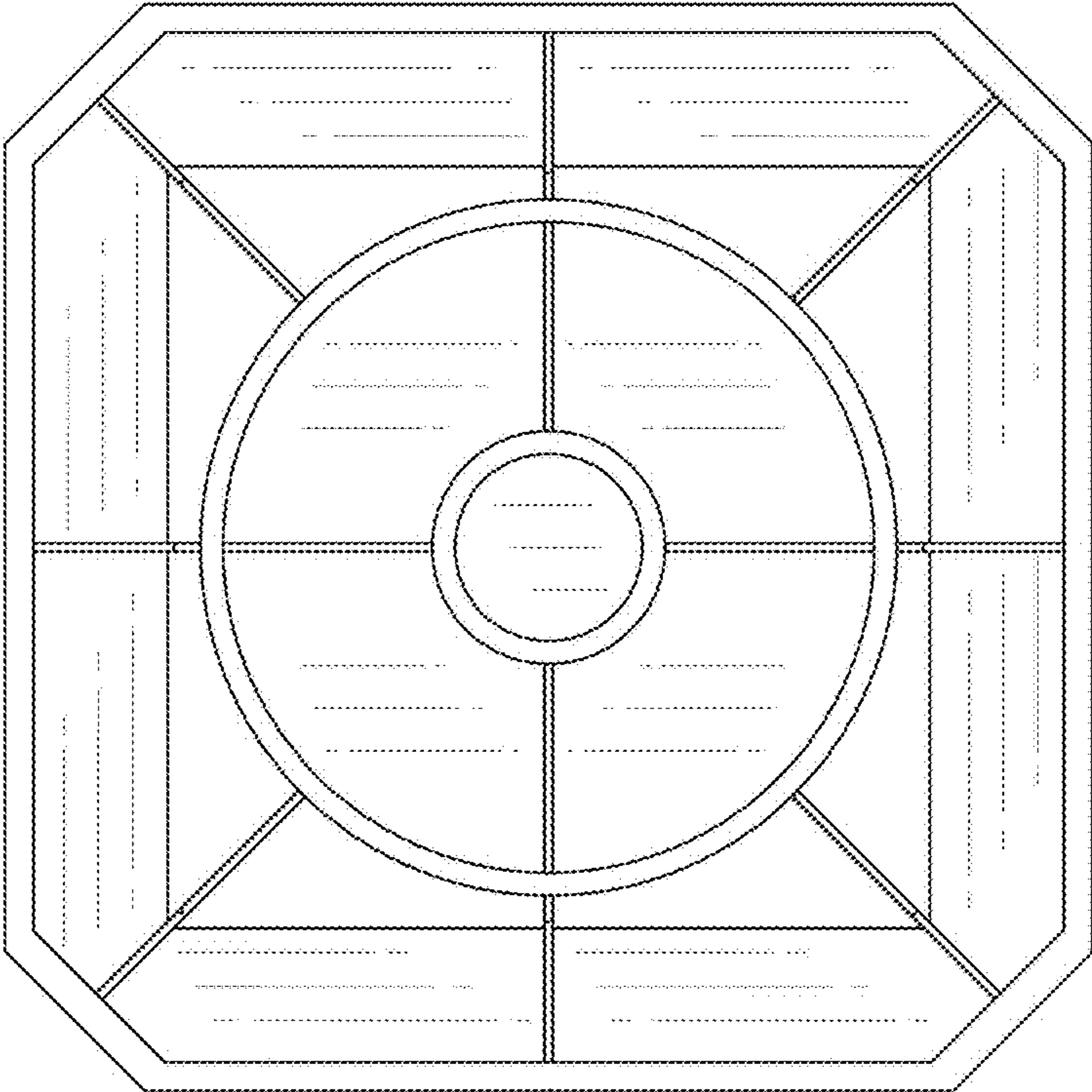


FIG. 8

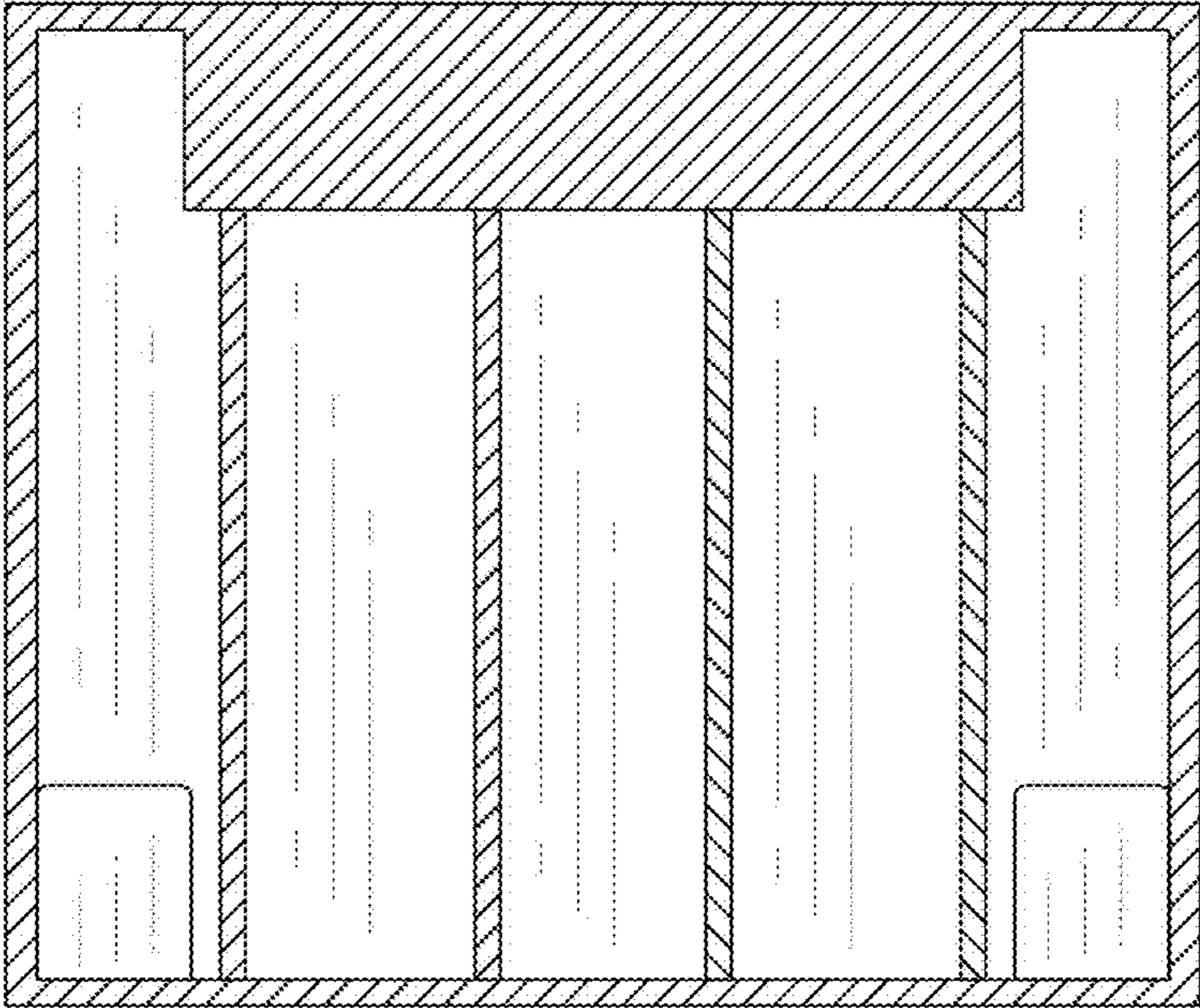


FIG. 9

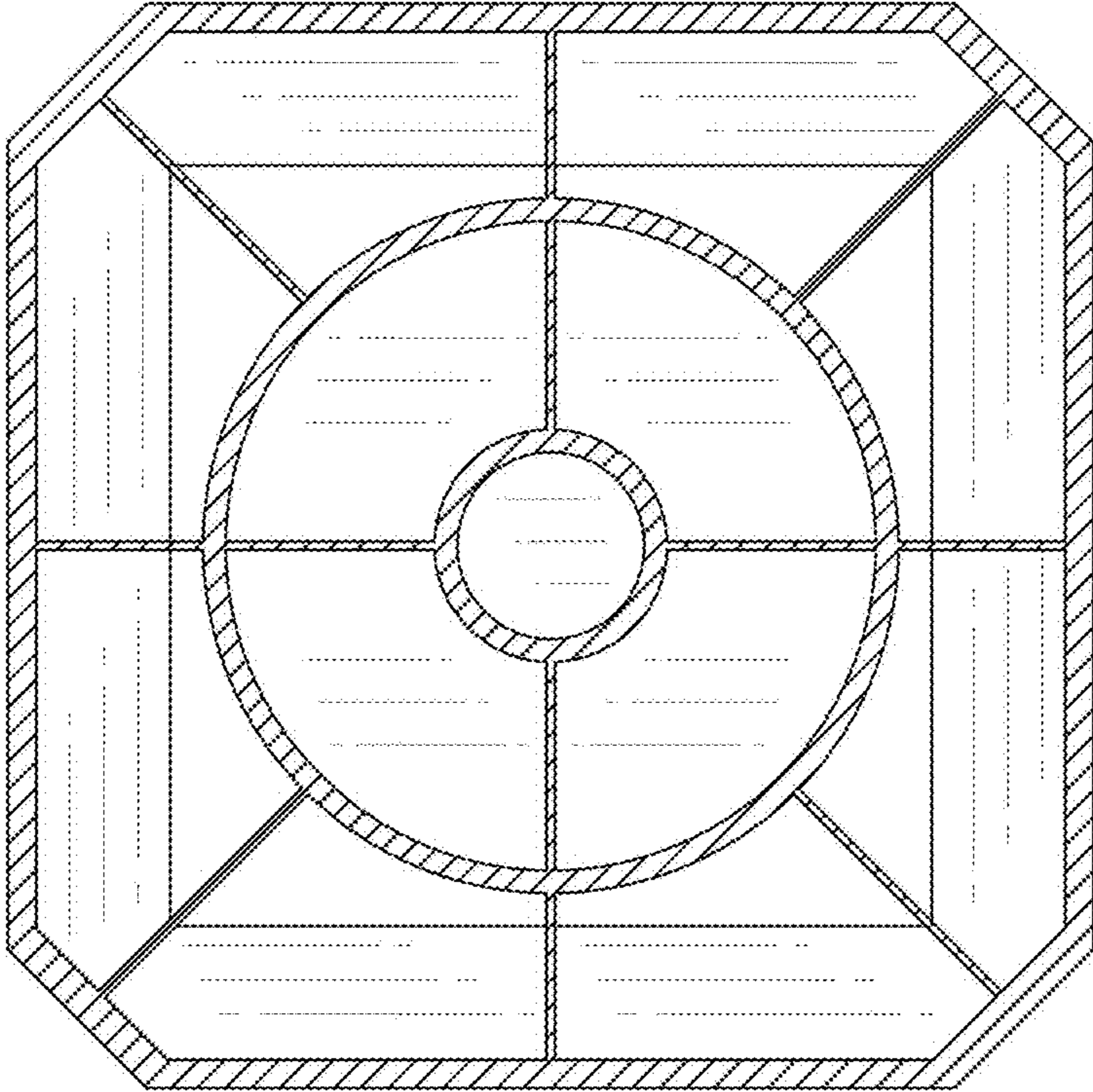


FIG. 10