



US00D984250S

(12) **United States Design Patent**
Lin

(10) **Patent No.:** **US D984,250 S**

(45) **Date of Patent:** **** Apr. 25, 2023**

(54) **BED RISERS**

(71) Applicant: **Junxiong Lin**, Jieyang (CN)

(72) Inventor: **Junxiong Lin**, Jieyang (CN)

(**) Term: **15 Years**

(21) Appl. No.: **29/799,886**

(22) Filed: **Jul. 16, 2021**

(51) **LOC (14) Cl.** **08-03**

(52) **U.S. Cl.**
USPC **D8/374**

(58) **Field of Classification Search**
USPC D8/374, 363, 366, 373, 376, 380, 381
See application file for complete search history.

(56) **References Cited**

U.S. PATENT DOCUMENTS

D404,992 S *	2/1999	Sittig	D8/374
D423,340 S *	4/2000	Sittig	D8/374
D487,695 S	3/2004	Sittig		
D493,095 S *	7/2004	Sittig	D8/374
D493,096 S	7/2004	Sittig		
D513,583 S *	1/2006	Chase	D8/374
D548,577 S *	8/2007	Shiftier	D8/376
D561,852 S *	2/2008	Frey	D21/710
D617,631 S *	6/2010	Bushey	D8/374
D649,442 S *	11/2011	Gardner	D8/374
D653,088 S	1/2012	Hansen et al.		
D668,942 S	10/2012	McGarry		

D703,030 S	4/2014	Seehoff et al.		
D728,353 S *	5/2015	Sharratt	D8/374
D734,135 S	7/2015	Merey		
D784,120 S	4/2017	Abdi et al.		
D812,784 S	3/2018	Owens		
D846,498 S	4/2019	Byrne et al.		
D889,943 S	7/2020	Phillips et al.		
D915,871 S	4/2021	Wendling		
D923,462 S	6/2021	Wendling		
D931,092 S *	9/2021	Tu	D8/374
D941,130 S *	1/2022	Wendling	D8/374

* cited by examiner

Primary Examiner — Khawaja Anwar

(74) *Attorney, Agent, or Firm* — Xiaofang Zhong

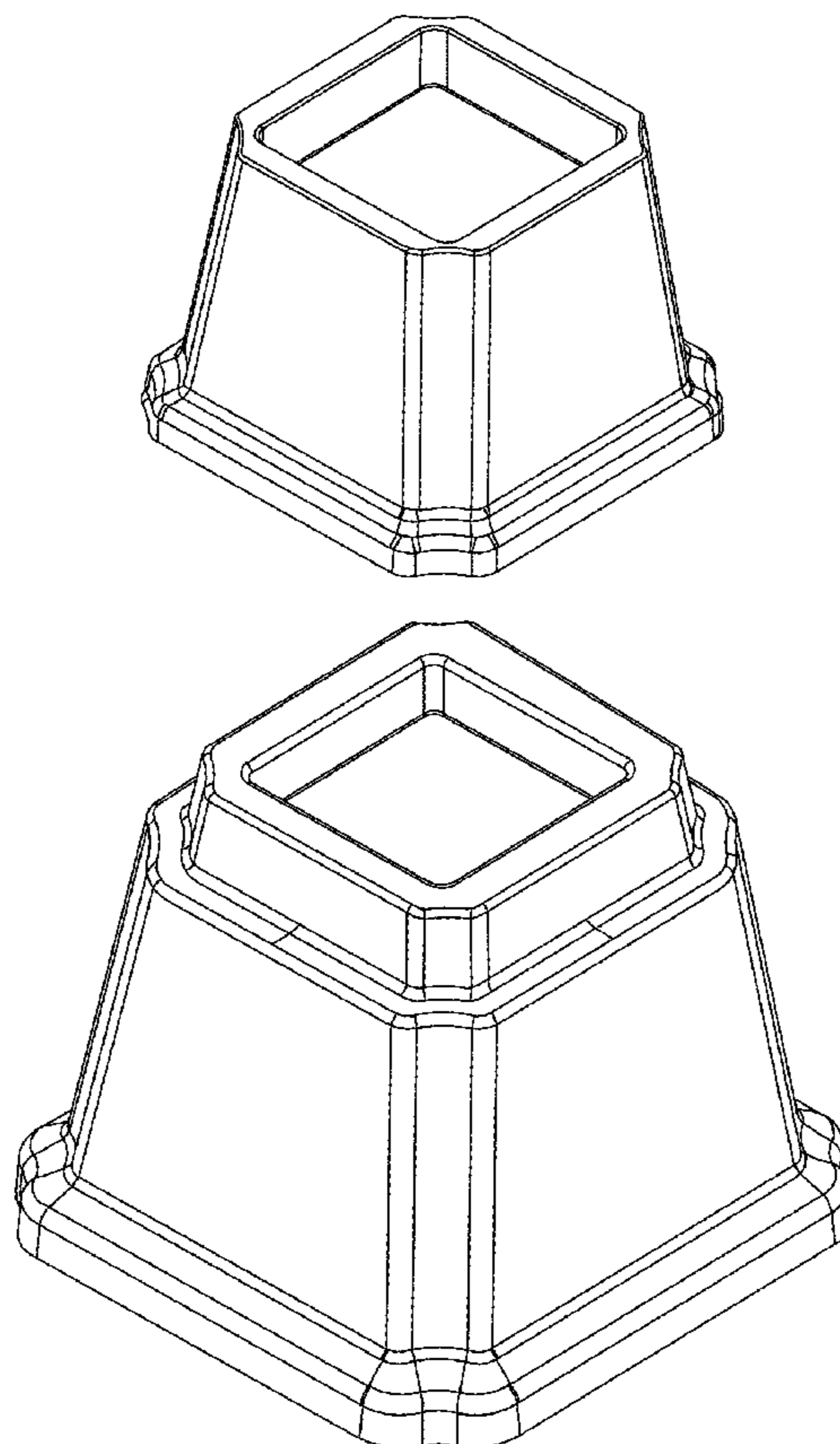
(57) **CLAIM**

The ornamental design for a bed riser, as shown and described.

DESCRIPTION

FIG. 1 is a perspective view of a bed riser showing my new design;
 FIG. 2 is a top plan view thereof;
 FIG. 3 is a bottom plan view thereof;
 FIG. 4 is a front elevational view thereof;
 FIG. 5 is a back elevational view thereof;
 FIG. 6 is a left side view thereof;
 FIG. 7 is a right side view thereof; and,
 FIG. 8 is another perspective view of the bed riser thereof.

1 Claim, 8 Drawing Sheets



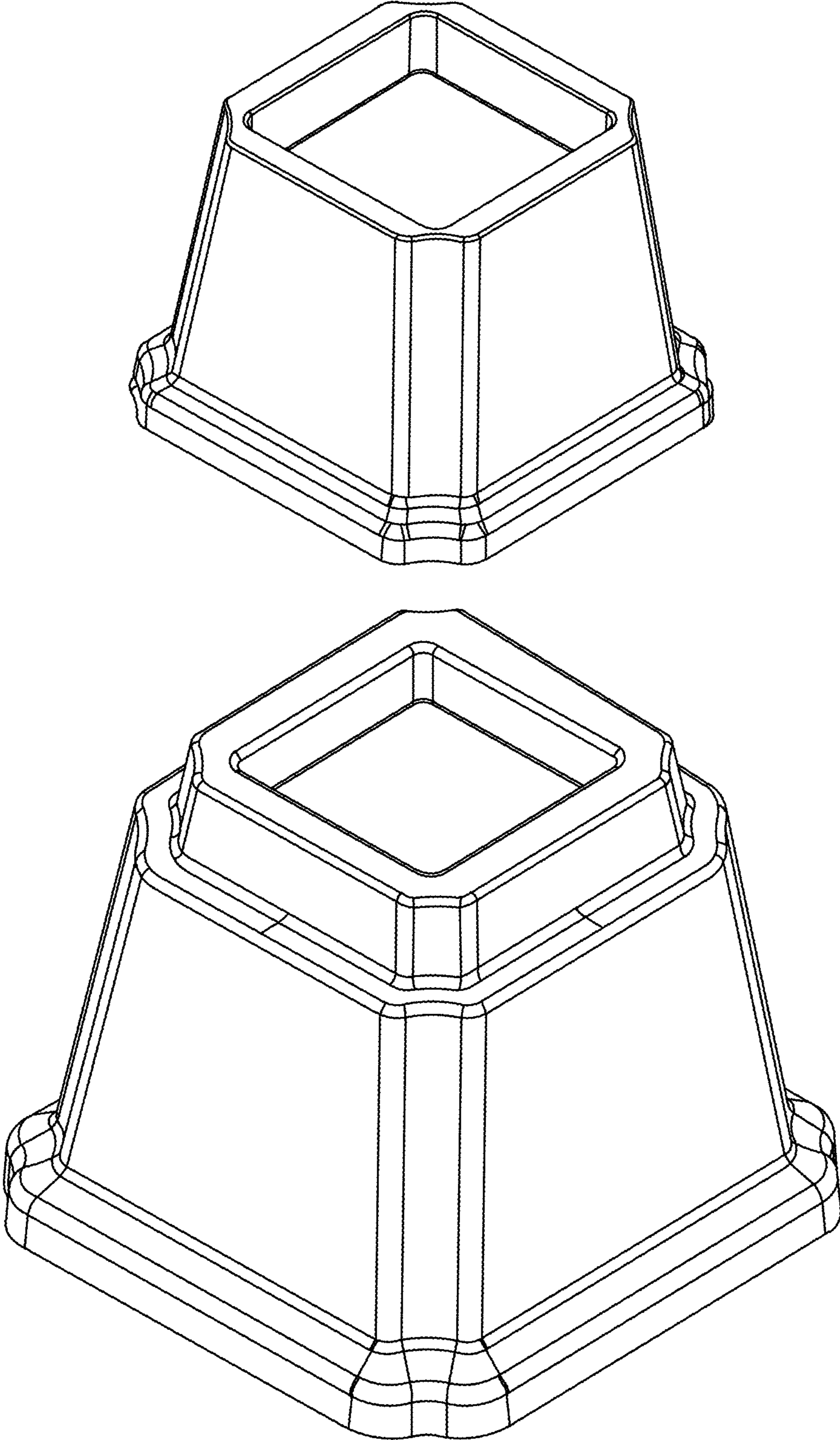


FIG. 1

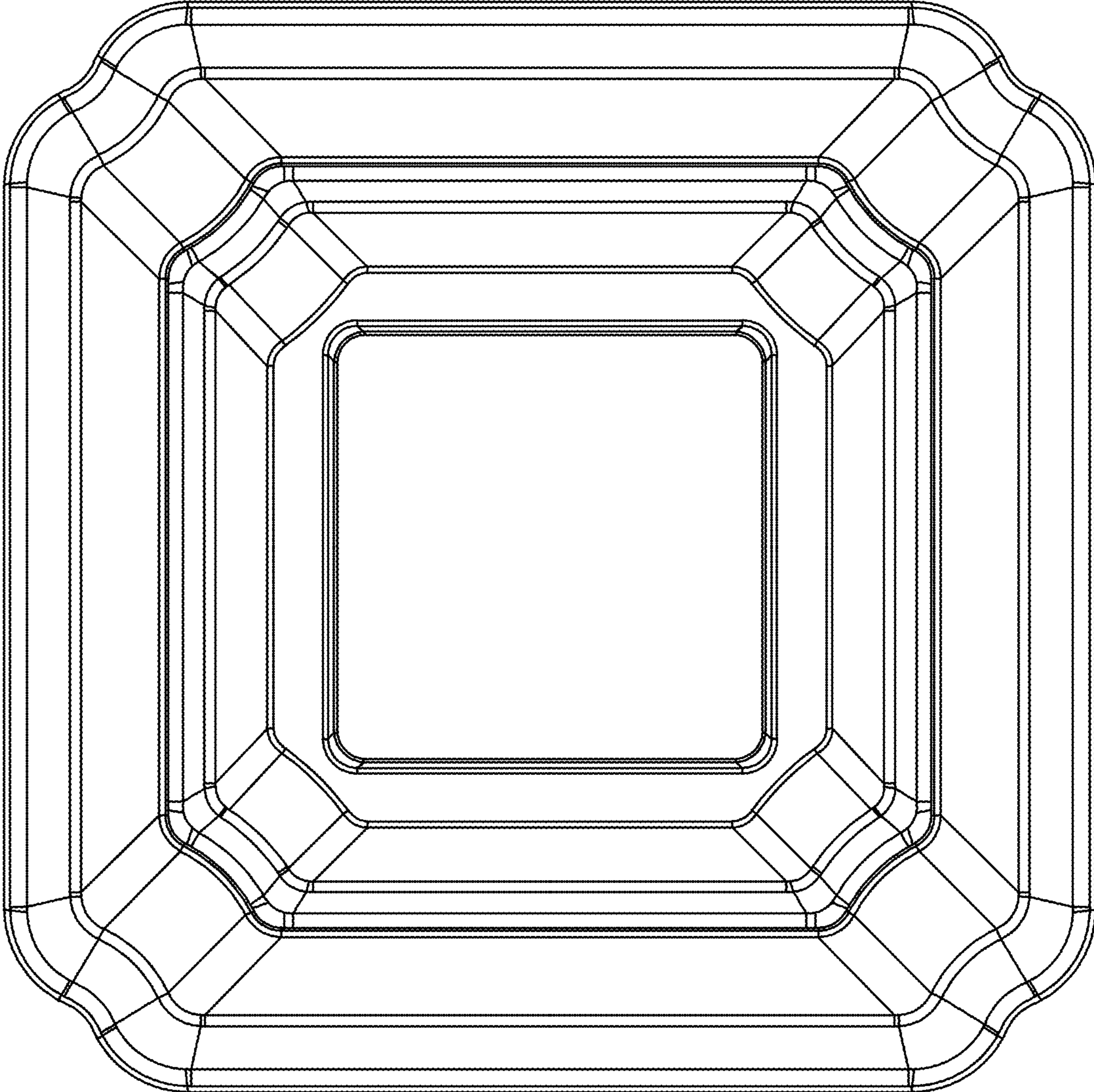


FIG. 2

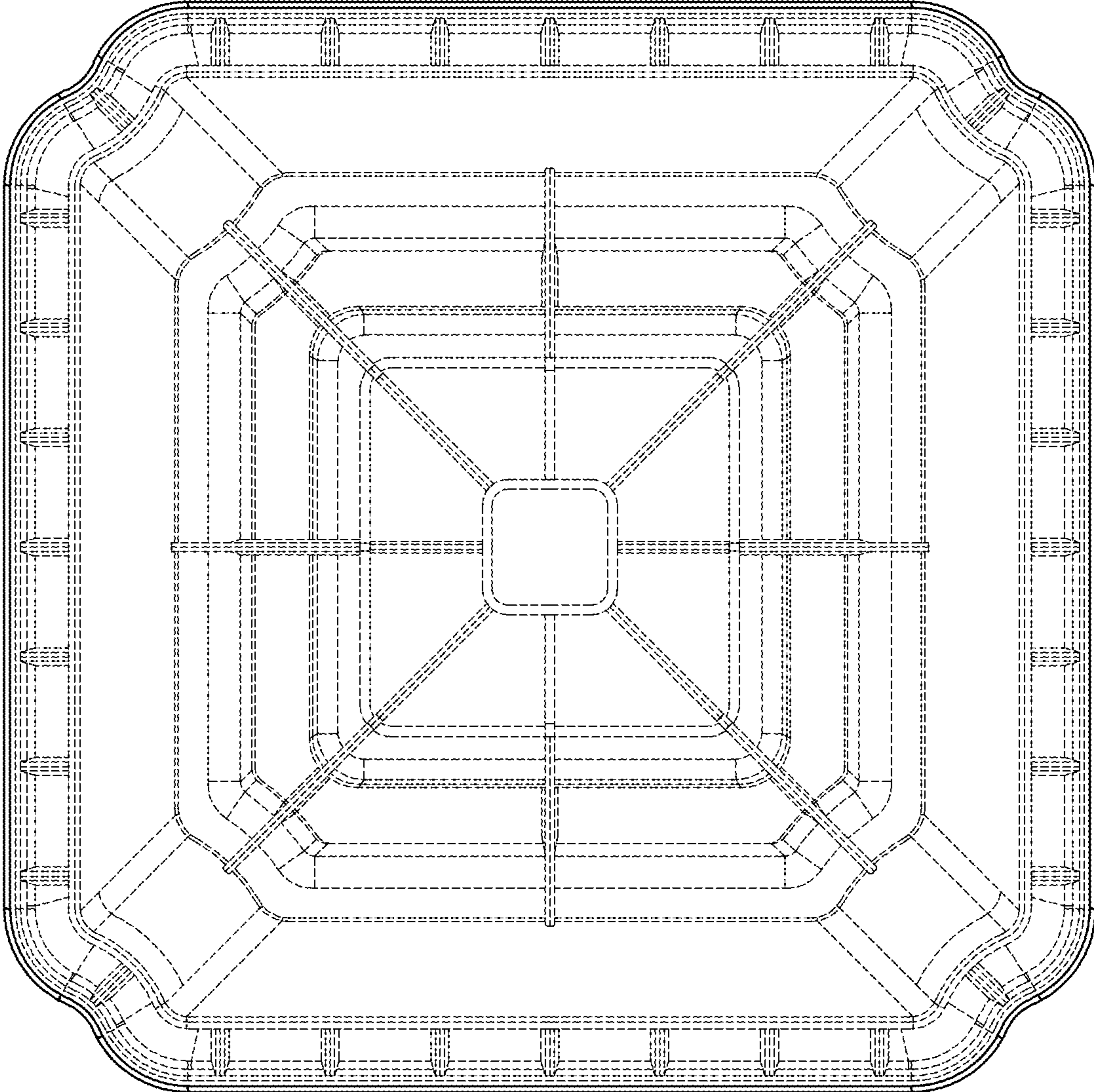


FIG. 3

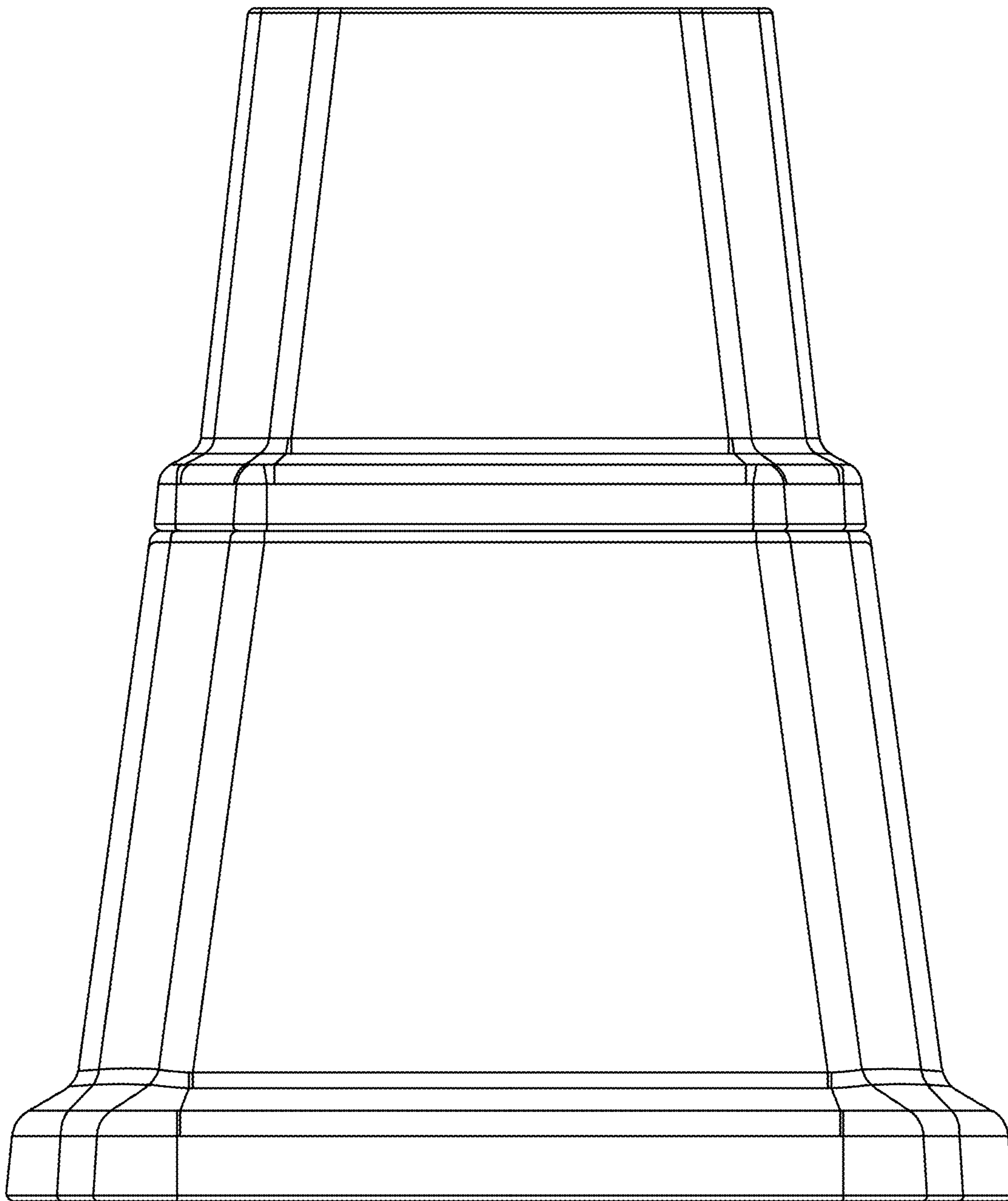


FIG. 4

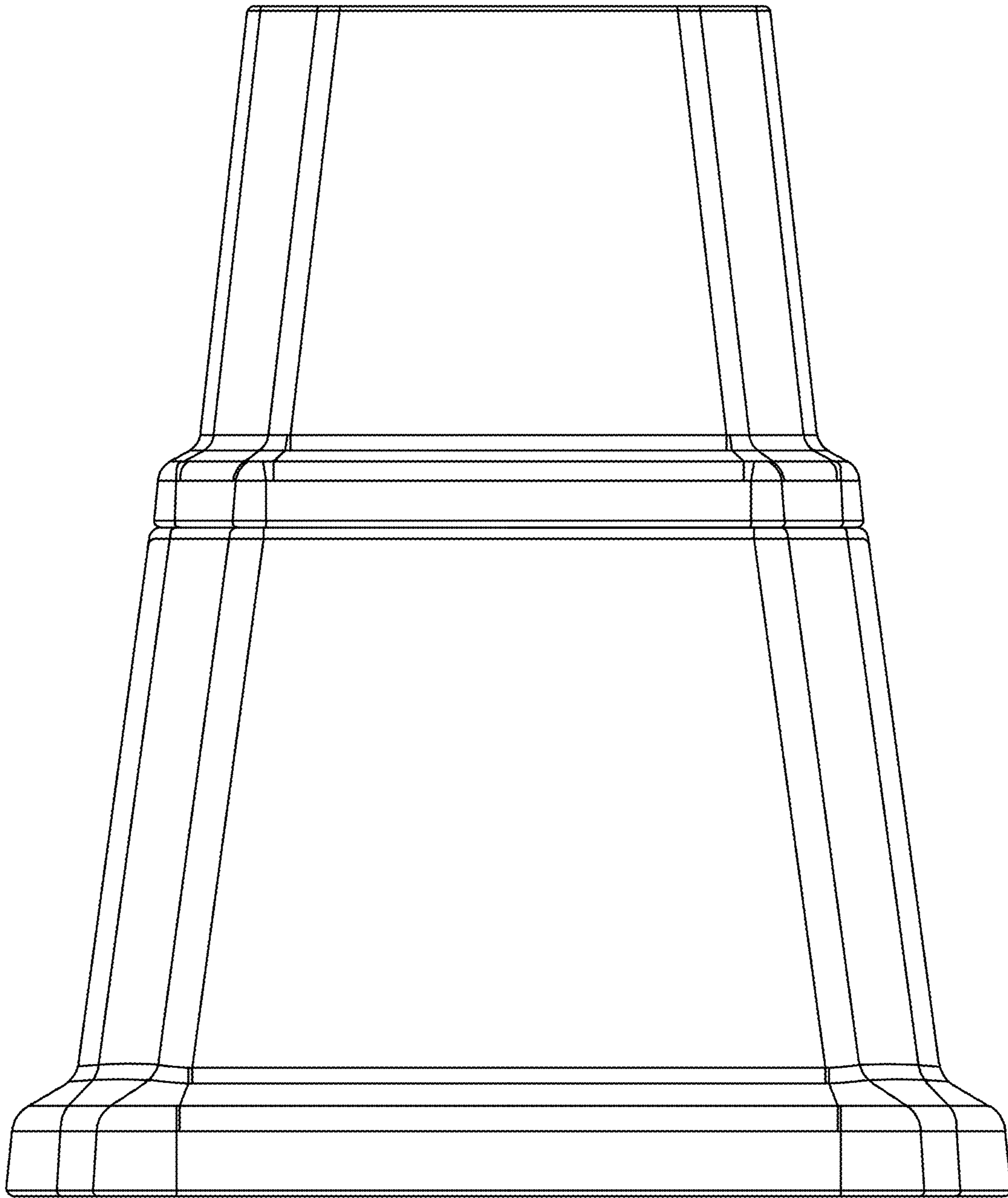


FIG. 5

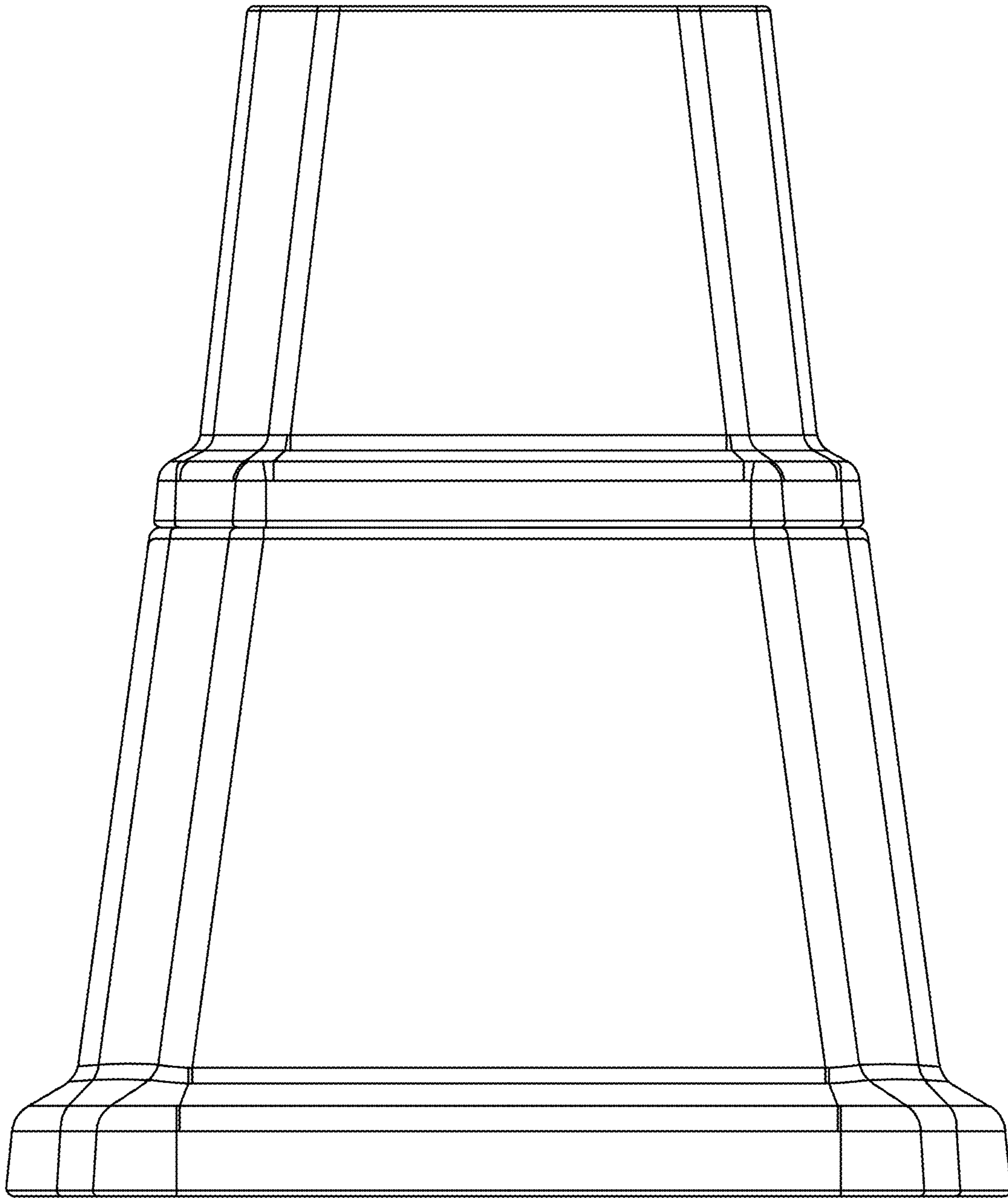


FIG. 6

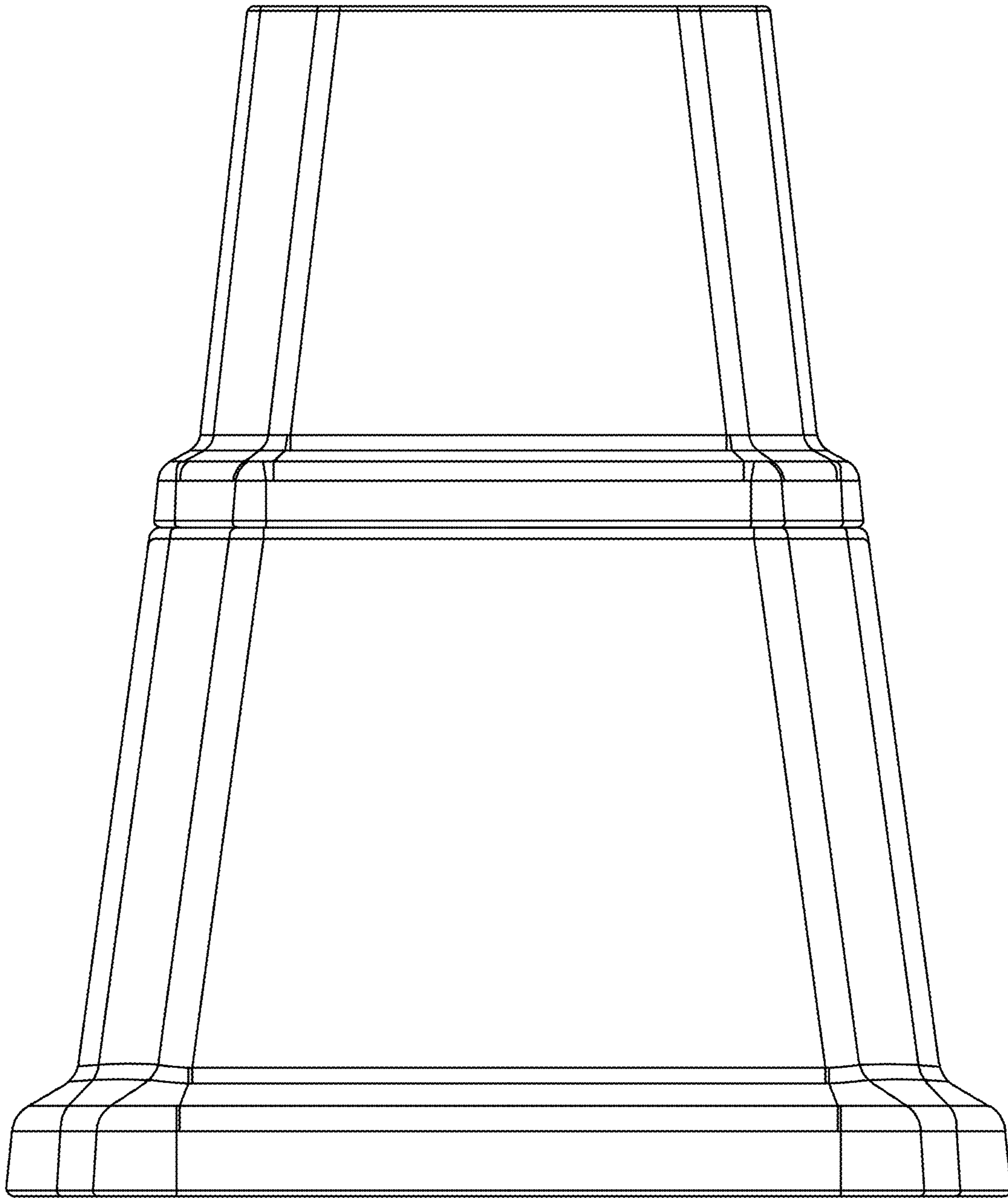


FIG. 7

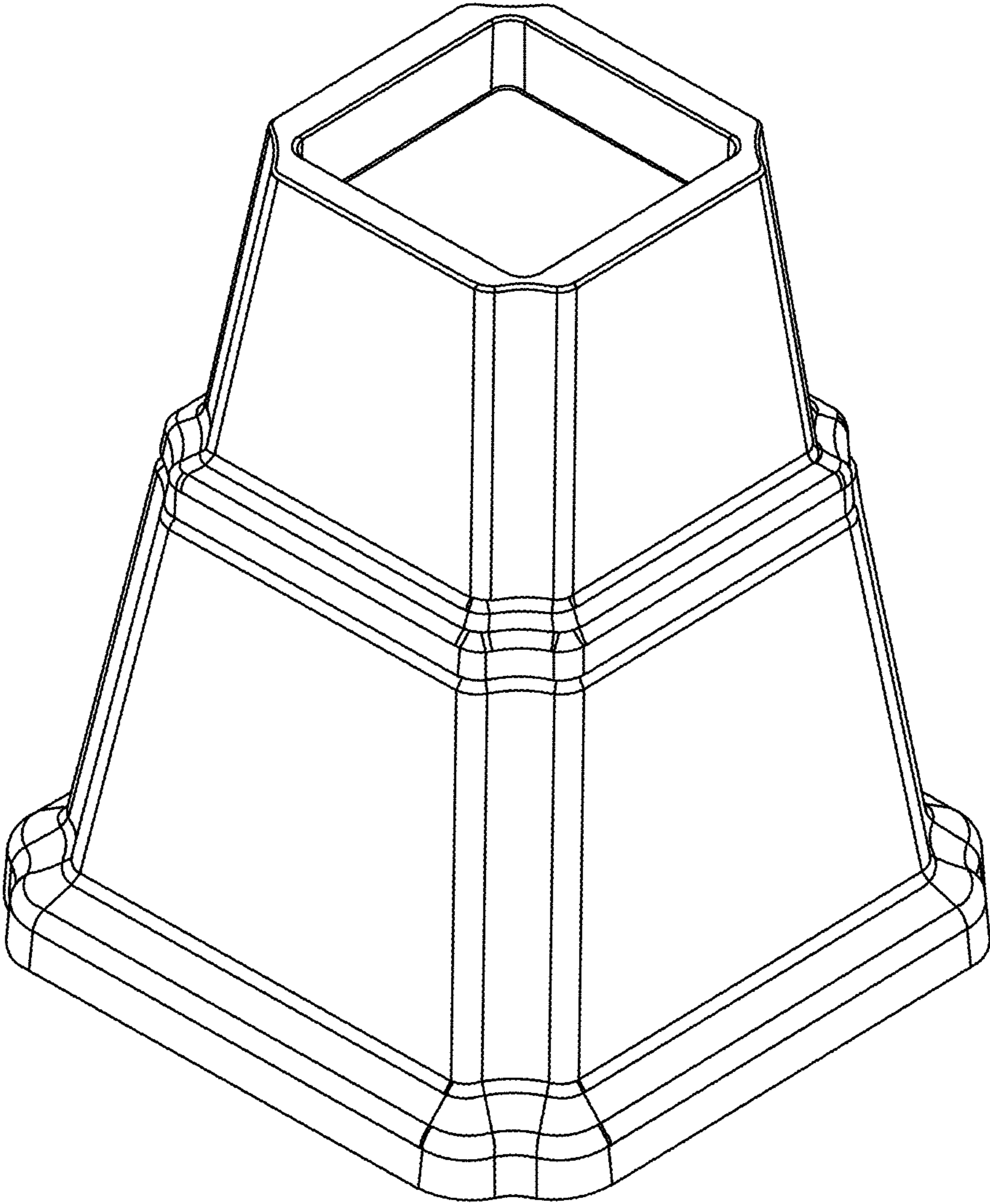


FIG. 8