



US00D984248S

(12) **United States Design Patent**
Deng

(10) **Patent No.:** **US D984,248 S**

(45) **Date of Patent:** **** Apr. 25, 2023**

(54) **HOOK**

(71) Applicant: **Dongguan Fangde Network Technology Co., Ltd., Dongguan (CN)**

(72) Inventor: **Quan Deng, Nanning (CN)**

(**) Term: **15 Years**

(21) Appl. No.: **29/855,398**

(22) Filed: **Oct. 3, 2022**

(30) **Foreign Application Priority Data**

Apr. 11, 2022 (CN) 202230198145.2

May 18, 2022 (CN) 202230293215.2

(51) **LOC (14) Cl.** **08-11**

(52) **U.S. Cl.**
USPC **D8/367**

(58) **Field of Classification Search**
USPC D8/367, 354, 349, 373, 356, 372;
D6/323; 248/301–304, 339
CPC .. A47G 1/00; A47G 25/00; A47G 1/17; F16B
47/003
See application file for complete search history.

(56) **References Cited**

U.S. PATENT DOCUMENTS

D28,325 S * 3/1898 Mason D8/372
2,803,595 A * 8/1957 Anzaldi C25F 7/00
204/297.02
D267,604 S * 1/1983 Peabody D8/367
D346,950 S * 5/1994 Dunn D8/367
5,730,413 A * 3/1998 Chen A47G 25/0635
248/303
D401,499 S * 11/1998 Barry D8/367
5,967,476 A * 10/1999 Chen A47G 1/20
248/304
6,302,365 B1 * 10/2001 Catanzarite A47G 25/0614
248/339

D449,977 S * 11/2001 Dembowiak D8/367
D482,952 S * 12/2003 Steinman D8/367
6,749,165 B2 * 6/2004 Immerman A47G 1/17
248/205.5
6,814,335 B2 * 11/2004 Immerman A47G 25/0614
248/205.5
D531,487 S * 11/2006 Dretzka D8/367
D580,745 S * 11/2008 Shaha D8/367
D591,143 S * 4/2009 Ernst D8/372
D600,536 S * 9/2009 Hager D8/367
D635,846 S 4/2011 Klein
D641,231 S 7/2011 Stinson
D642,897 S * 8/2011 Berkowitz D8/367
D659,519 S * 5/2012 Berkowitz D8/367
D667,293 S 9/2012 Thompson
8,272,610 B2 * 9/2012 Ernst A47L 13/16
248/302
D671,819 S 12/2012 Kwok
D682,014 S 5/2013 Gilboe
D700,044 S 2/2014 Goodman
D737,125 S * 8/2015 Callif D8/372
D801,786 S 11/2017 Pan

(Continued)

Primary Examiner — Cynthia R Underwood

(74) *Attorney, Agent, or Firm* — Rumit Ranjit Kanakia

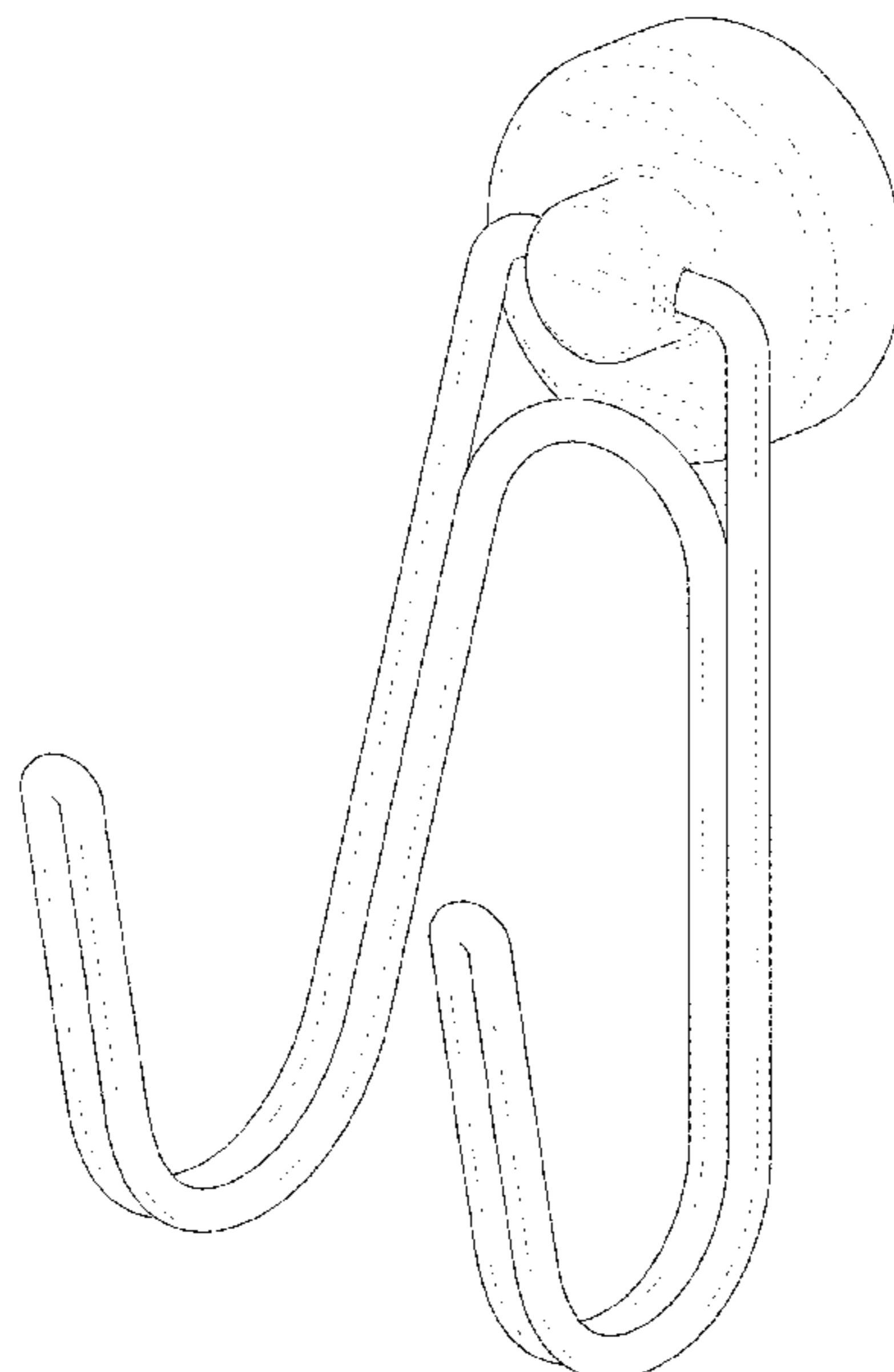
(57) **CLAIM**

The ornamental design for a hook, as shown and described.

DESCRIPTION

FIG. 1 is a front perspective view of a hook showing my new design;
FIG. 2 is a rear perspective view thereof;
FIG. 3 is a front elevational view thereof;
FIG. 4 is a rear elevational view thereof;
FIG. 5 is a left side view thereof, the right side view being a mirror image of FIG. 5;
FIG. 6 is a top plan view thereof; and,
FIG. 7 is a bottom plan view thereof.

1 Claim, 6 Drawing Sheets



(56)

References Cited

U.S. PATENT DOCUMENTS

D801,787 S	11/2017	Pan	
D810,548 S	2/2018	Lynn	
D845,747 S *	4/2019	Kuniyoshi	D8/372
D865,495 S	11/2019	Bahler	
D880,990 S *	4/2020	Liu	D8/367
D913,777 S *	3/2021	Liu	D8/370
D953,150 S *	5/2022	Luo	D8/367
D957,237 S *	7/2022	Zhang	D8/367

* cited by examiner

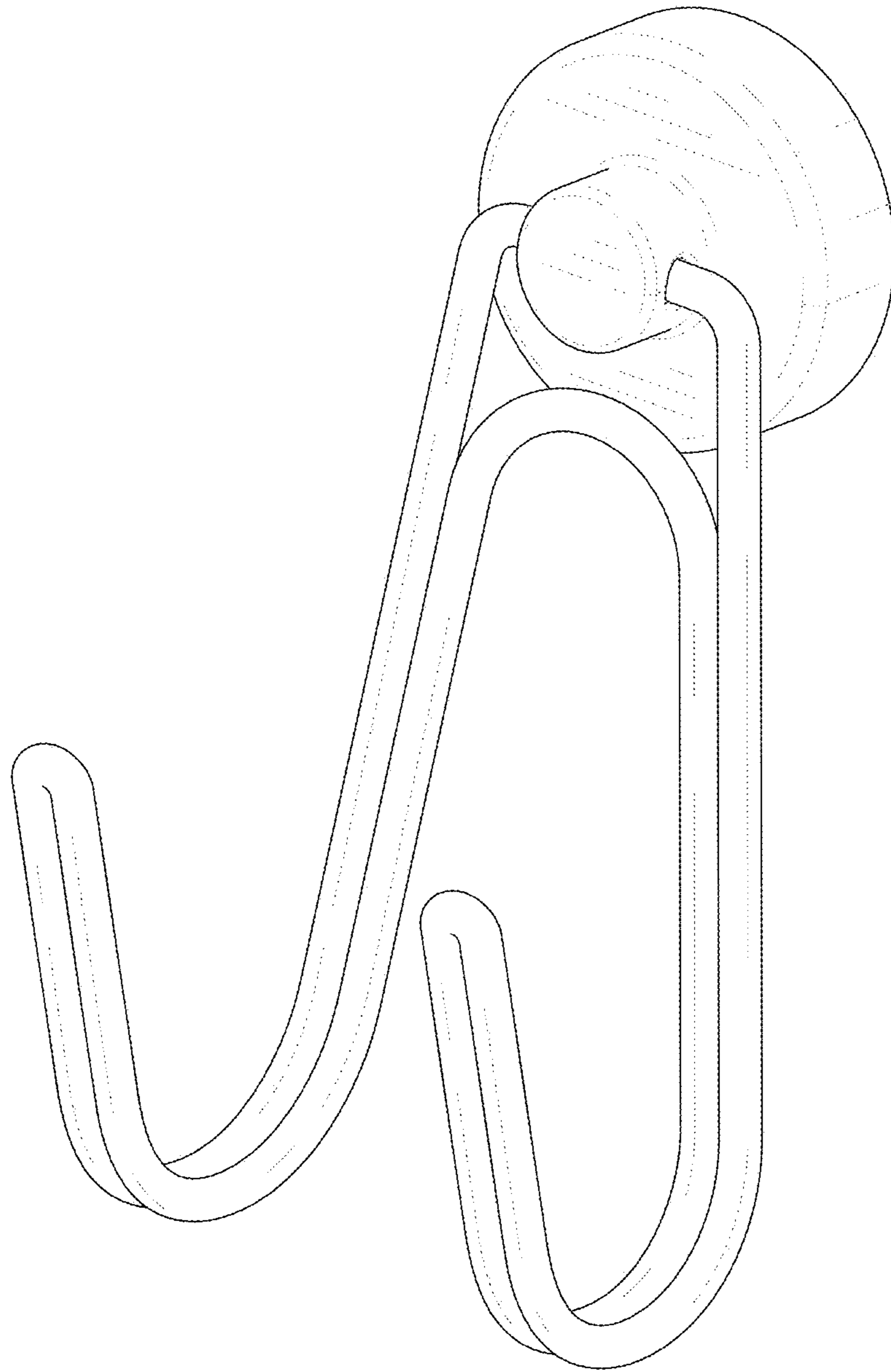


FIG. 1

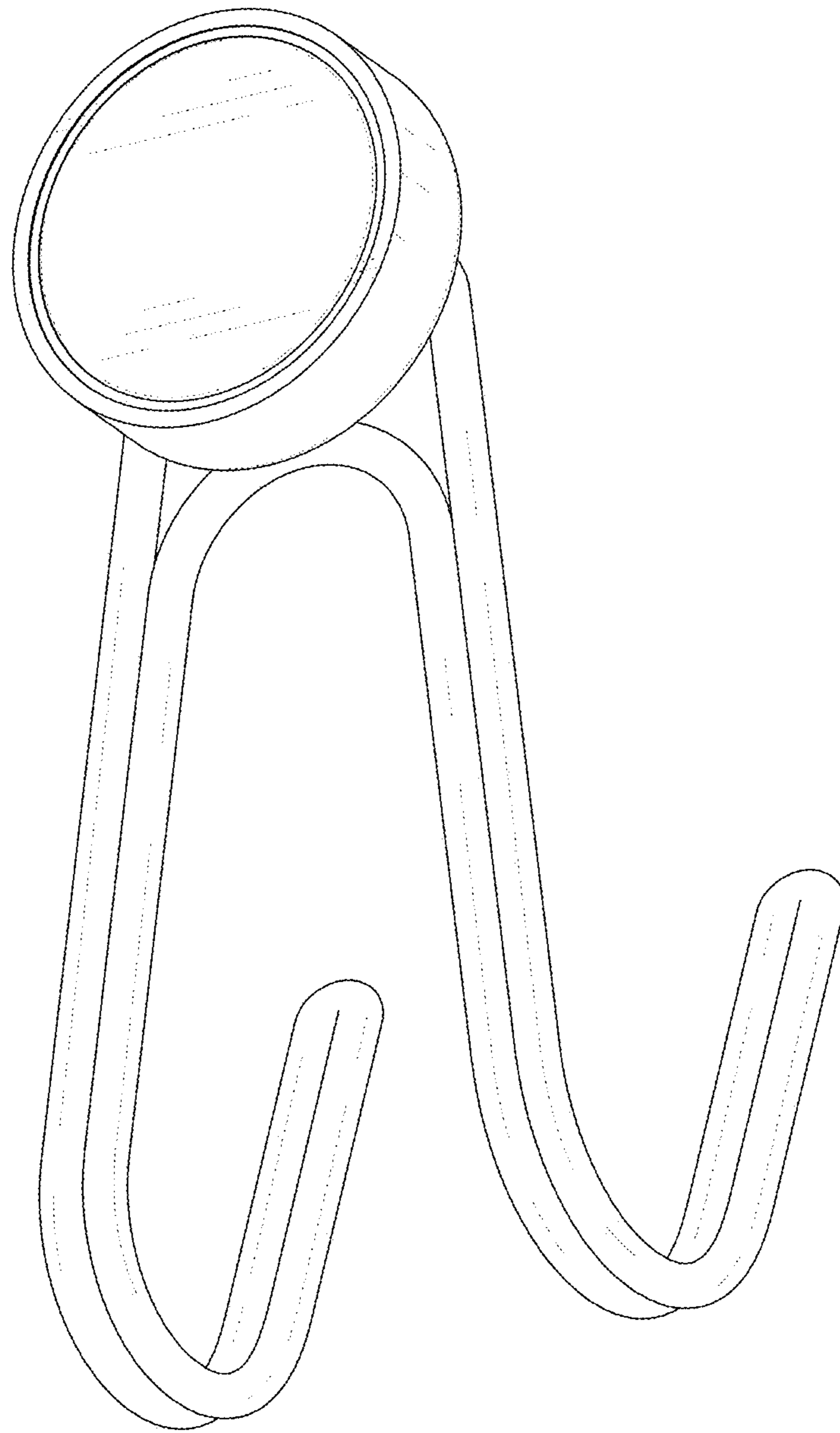


FIG. 2

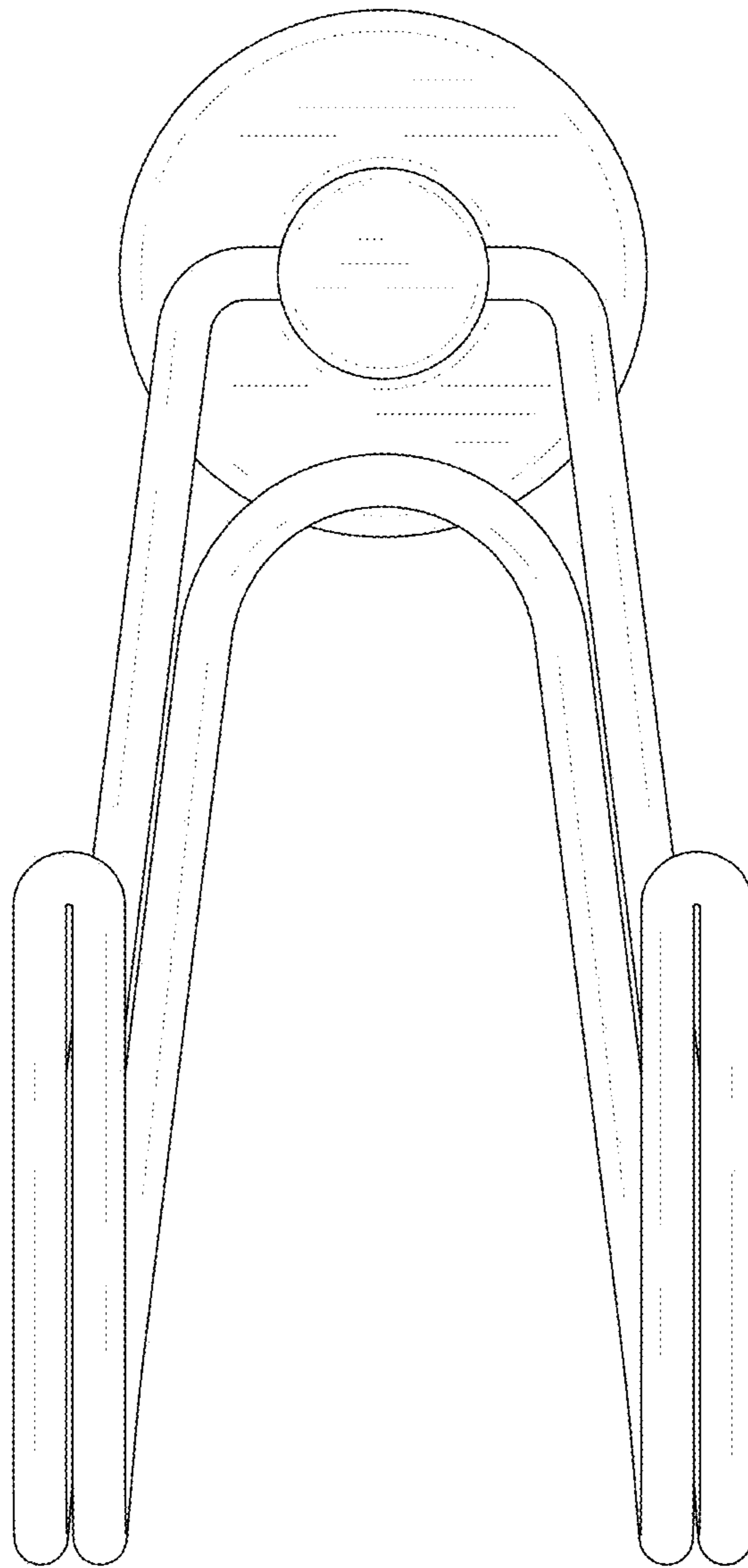


FIG. 3

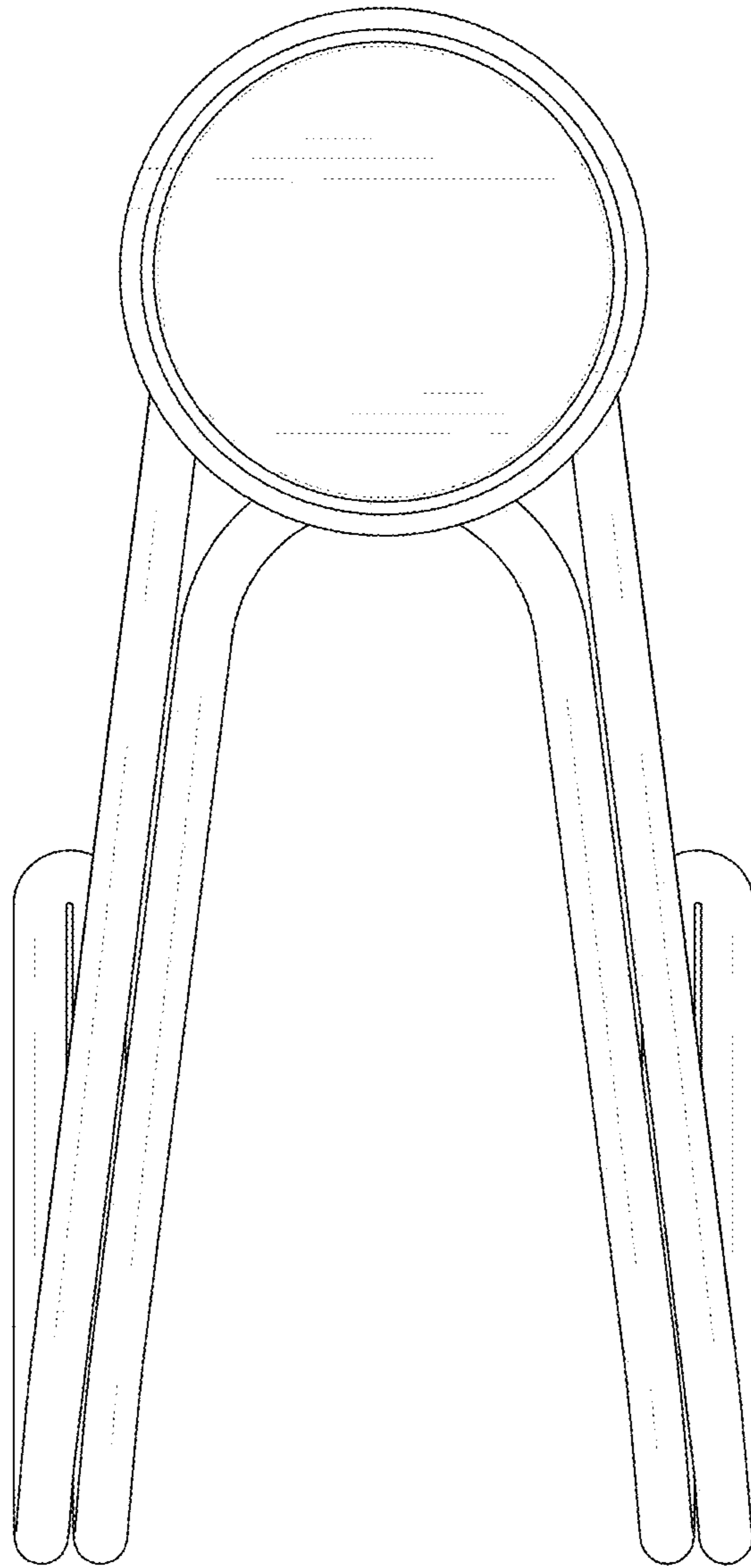


FIG. 4

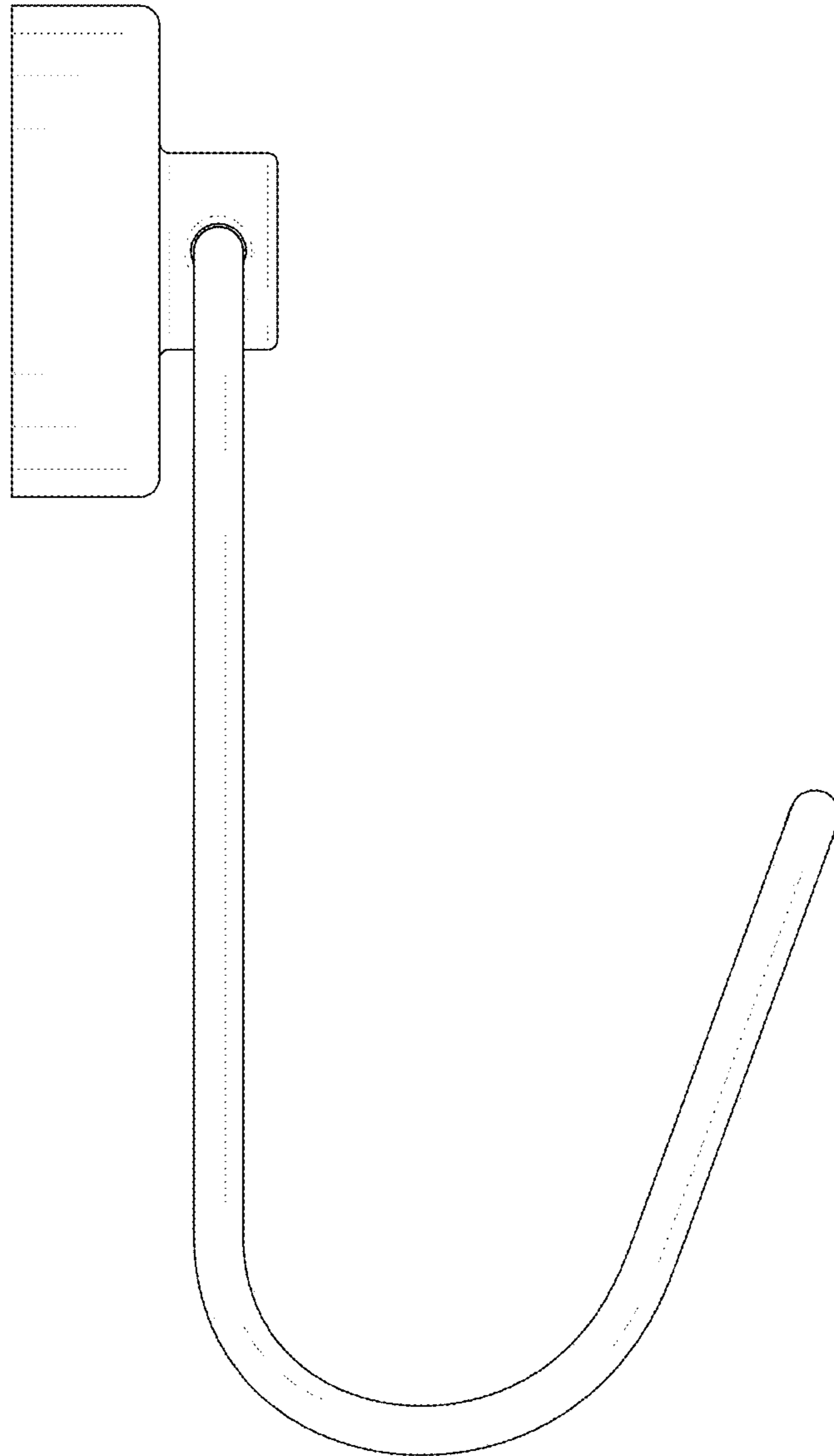


FIG. 5

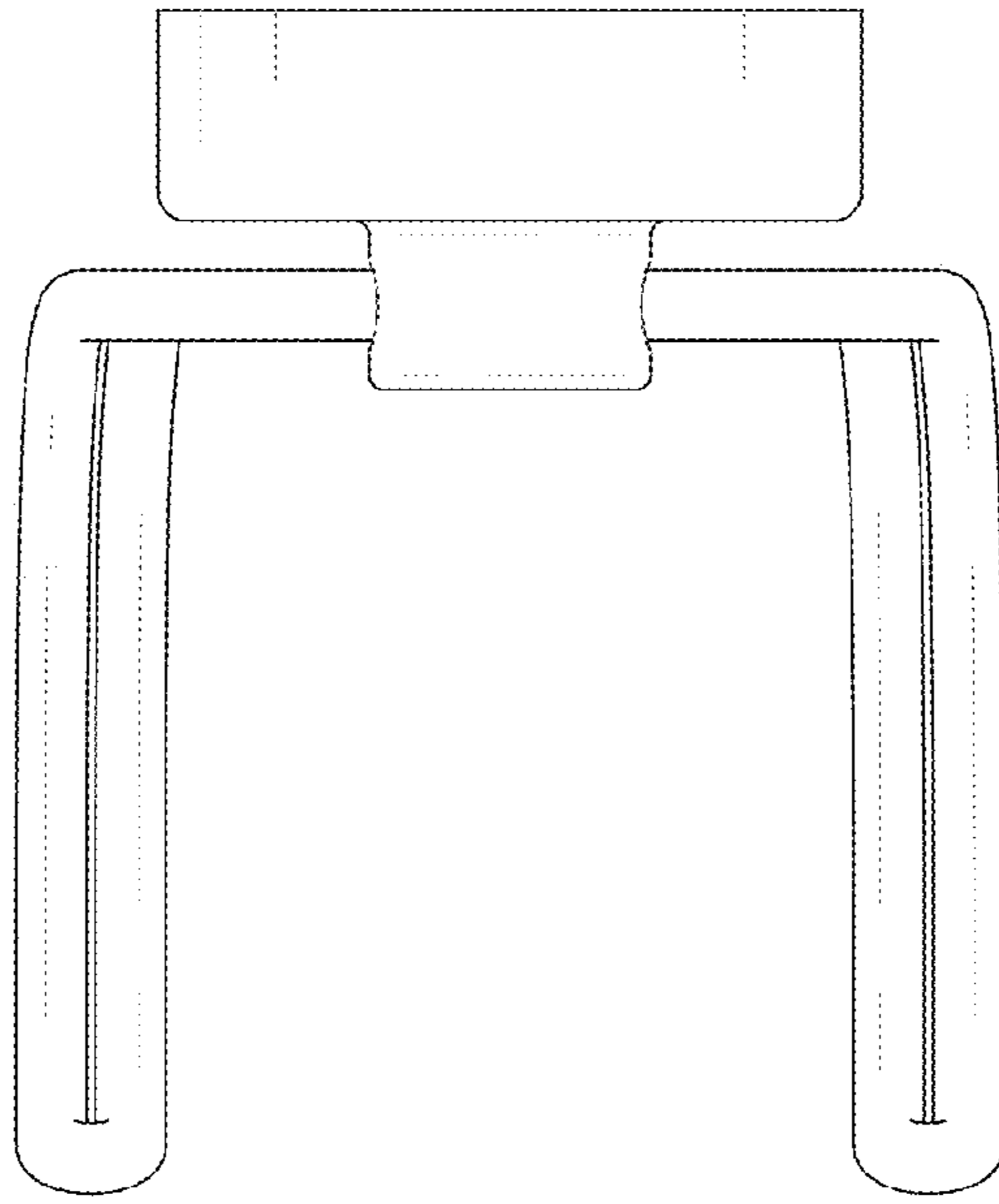


FIG. 6

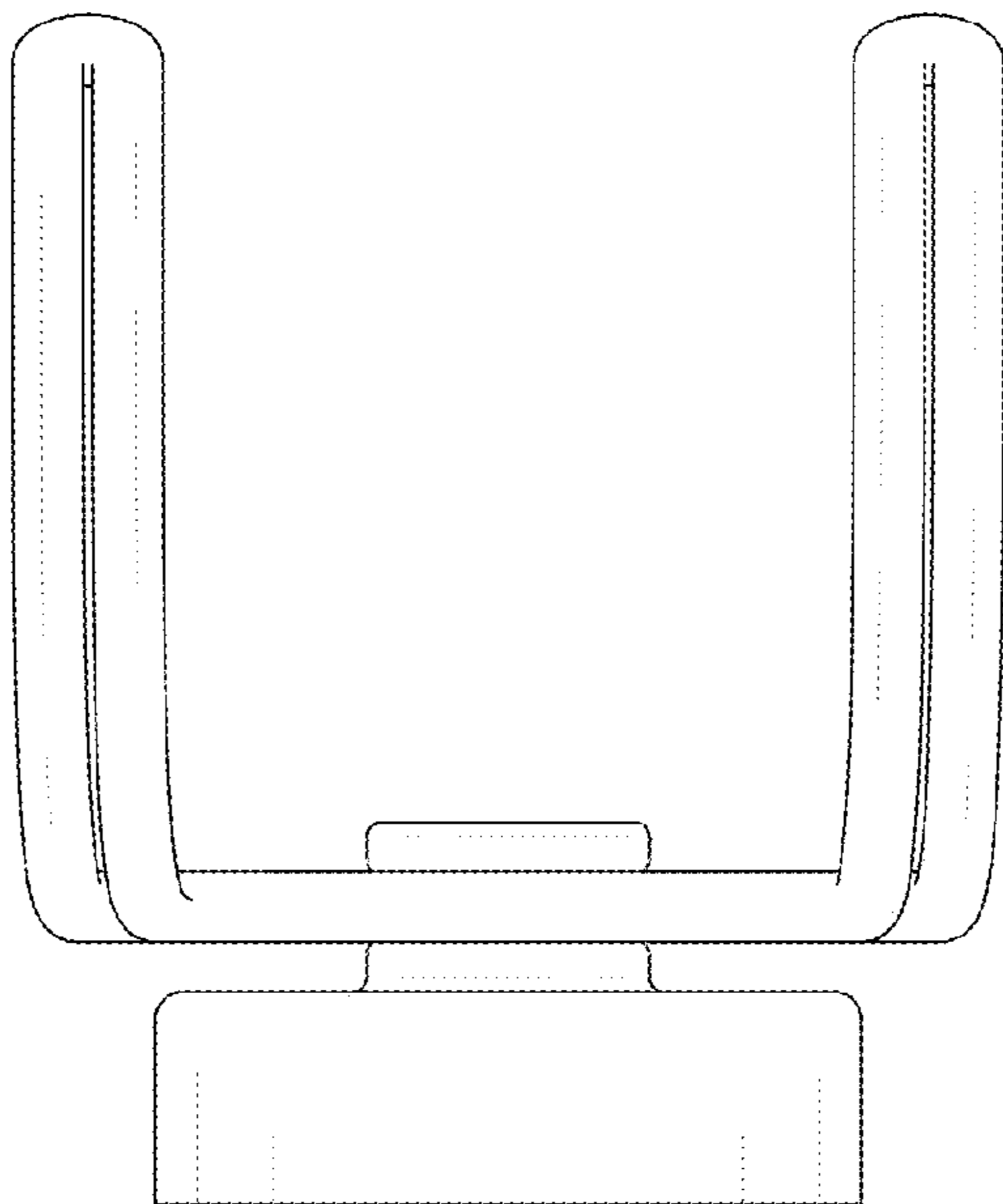


FIG. 7