



US00D984247S

(12) **United States Design Patent** (10) **Patent No.:** **US D984,247 S**
Wang (45) **Date of Patent:** **** Apr. 25, 2023**

(54) **TUBE REEL**
(71) Applicant: **Lang Wang**, Yulin (CN)
(72) Inventor: **Lang Wang**, Yulin (CN)
(73) Assignee: **LANBOOM SCIENCE AND TECHNOLOGY CO., LTD**, Hangzhou (CN)

D456,242 S * 4/2002 Stekelenburg D8/358
D488,448 S * 4/2004 Ranger D13/154
D504,606 S * 5/2005 Kovacik D8/358
D624,020 S * 9/2010 Kovacik D8/358
D666,080 S * 8/2012 Boehler D8/359
D666,475 S * 9/2012 Gaiti D8/358
8,474,105 B2 * 7/2013 Naquin B63B 21/20
403/210
D720,212 S * 12/2014 Gonzalez D8/358
D792,756 S * 7/2017 Vanttilä D8/356
D794,429 S * 8/2017 Wang D8/359

(**) Term: **15 Years**

(Continued)

(21) Appl. No.: **29/809,783**

FOREIGN PATENT DOCUMENTS

(22) Filed: **Sep. 30, 2021**

NZ 429508-0001 * 9/2021

(51) **LOC (14) Cl.** **08-11**

OTHER PUBLICATIONS

(52) **U.S. Cl.**

USPC **D8/358**; D8/356

Retractable Air Hose, by Lanboom on Lanboomhose.com. No date available, found online [Jan. 13, 2023]. <https://www.lanboomhose.com/retractable-air-hose-reel-ahrp01-product/>.*

(58) **Field of Classification Search**

USPC D8/374, 382, 354, 377, 358, 356, 359, D8/388, 323, 324, 330, 325, 327, 331, 36, D8/353, 338; D13/138.2, 139.1, 107, D13/108, 110, 133, 146, 147, 154, 184, D13/199

Primary Examiner — Eliza Z Harvey
Assistant Examiner — Kayla Marie Bennett

CPC H02G 11/00; H02G 11/02; B65H 2701/33; B65H 75/4471; B65H 75/4478; B65H 75/40; B65H 75/38; B65H 75/4402; B65H 2402/412; B65H 75/4494; B65H 54/585; B65H 75/265; Y10T 137/6954; Y10T 137/6929; Y10T 403/32975; B08B 2203/0276; A62C 33/02

(57) **CLAIM**
The ornamental design for a tube reel, as shown and described.

See application file for complete search history.

DESCRIPTION

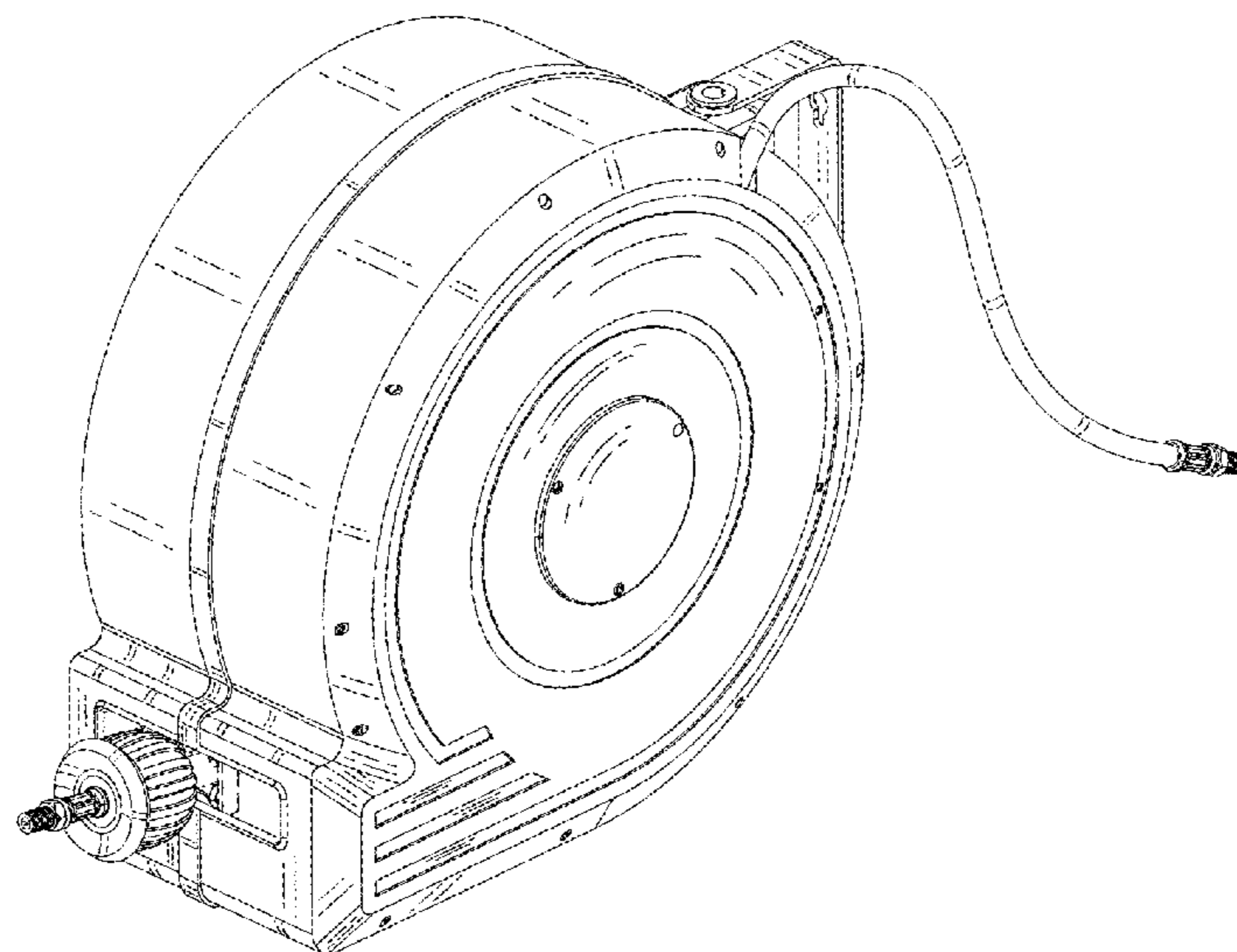
FIG. 1 is a perspective view of a tube reel showing my new design;
FIG. 2 is a front elevational view thereof;
FIG. 3 is a rear elevational view thereof;
FIG. 4 is a left side elevational view thereof;
FIG. 5 is a right side elevational view thereof;
FIG. 6 is a top plan view thereof; and,
FIG. 7 is a bottom plan view thereof.
The broken lines throughout the drawing figures depict portions of the tube reel that form no part of the claimed design.

(56) **References Cited**

U.S. PATENT DOCUMENTS

D289,492 S * 4/1987 Clivio D8/359
D352,928 S * 11/1994 Ford D8/358
D374,166 S * 10/1996 Czerwinski D8/359
D377,447 S * 1/1997 Blye D8/358
D404,286 S * 1/1999 Plantz D8/359
D449,513 S * 10/2001 Stekelenburg D8/358
D449,974 S * 11/2001 Stekelenburg D8/358

1 Claim, 7 Drawing Sheets



(56)

References Cited

U.S. PATENT DOCUMENTS

D813,017	S	*	3/2018	Wang	D8/359
D813,653	S	*	3/2018	Gubbins	D8/358
D850,242	S	*	6/2019	Gubbins	D8/358
D863,940	S	*	10/2019	Ge	D8/358
D869,941	S	*	12/2019	Exley	D8/358
D885,872	S	*	6/2020	Miyawaki	D8/359
D889,944	S	*	7/2020	De Biasi	D8/358
D907,989	S	*	1/2021	Wang	D8/358
D915,870	S	*	4/2021	Lyytikäinen	D8/358
D926,023	S	*	7/2021	Wang	D8/358
D939,943	S	*	1/2022	Uccellani	D8/358
D948,995	S	*	4/2022	Lyytikäinen	D8/358
D951,071	S	*	5/2022	Kosturko	D8/358
D953,846	S	*	6/2022	Lyytikäinen	D8/358
D959,961	S	*	8/2022	Yu	D8/358
D960,691	S	*	8/2022	Sun	D8/358
D963,467	S	*	9/2022	Hung	D8/356
D966,078	S	*	10/2022	Septien Prieto	D8/356
2004/0251368	A1	*	12/2004	Wu	B65H 75/4402 242/395.1
2006/0054731	A1	*	3/2006	Nagler	B65H 75/4407 242/397.3
2010/0084500	A1	*	4/2010	Inman	B65H 75/4471 242/390.8

* cited by examiner

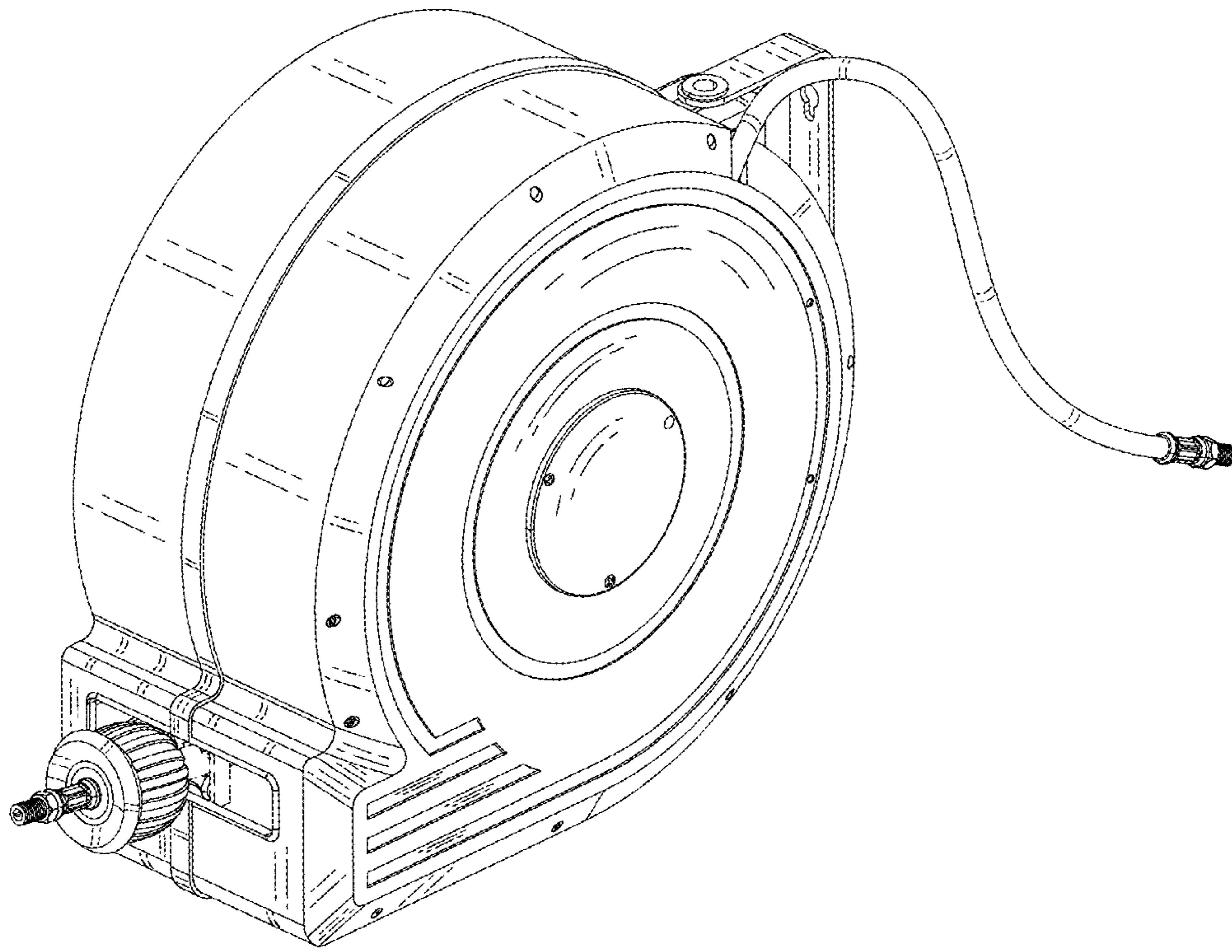


FIG.1

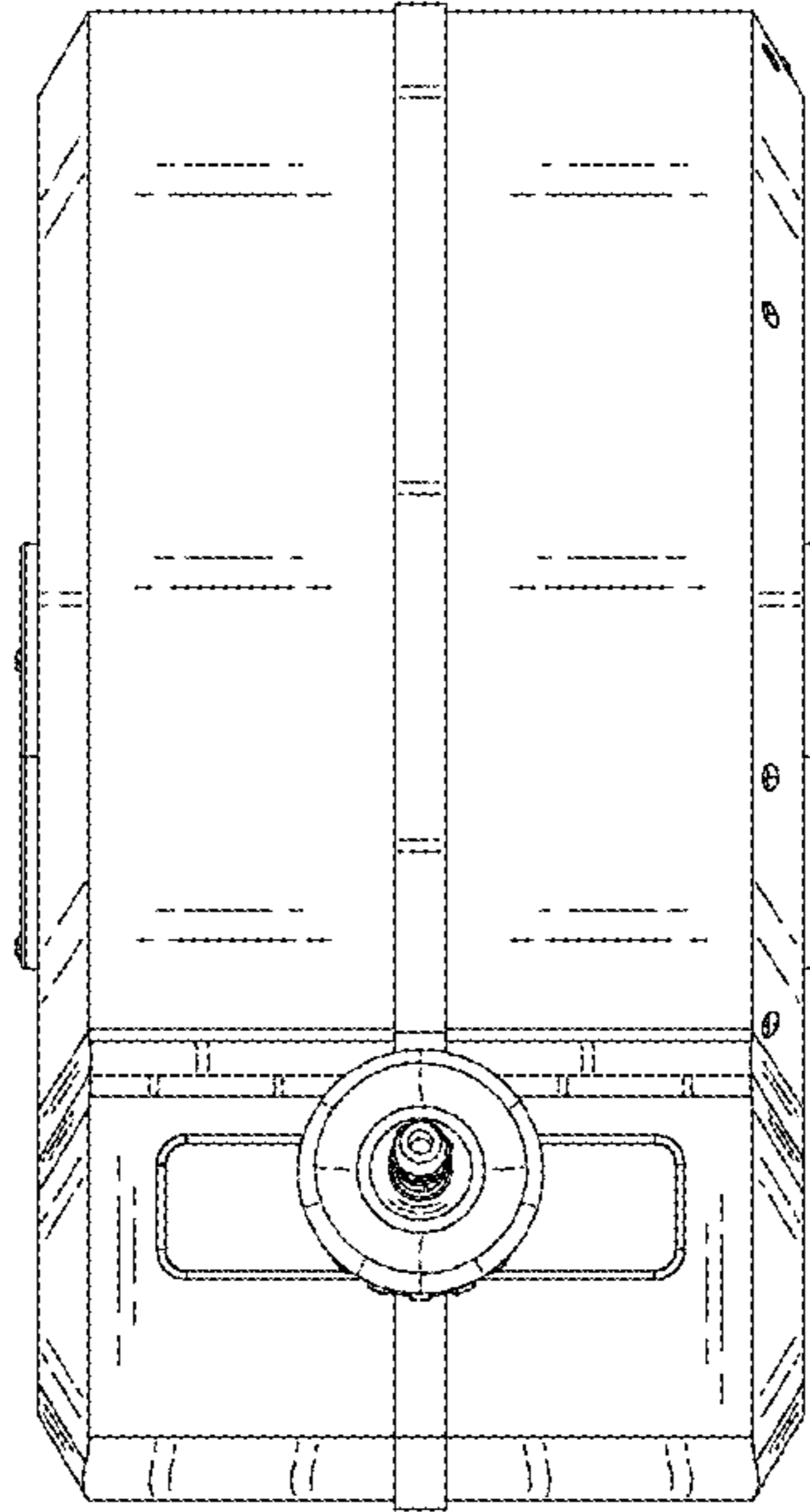


FIG.2

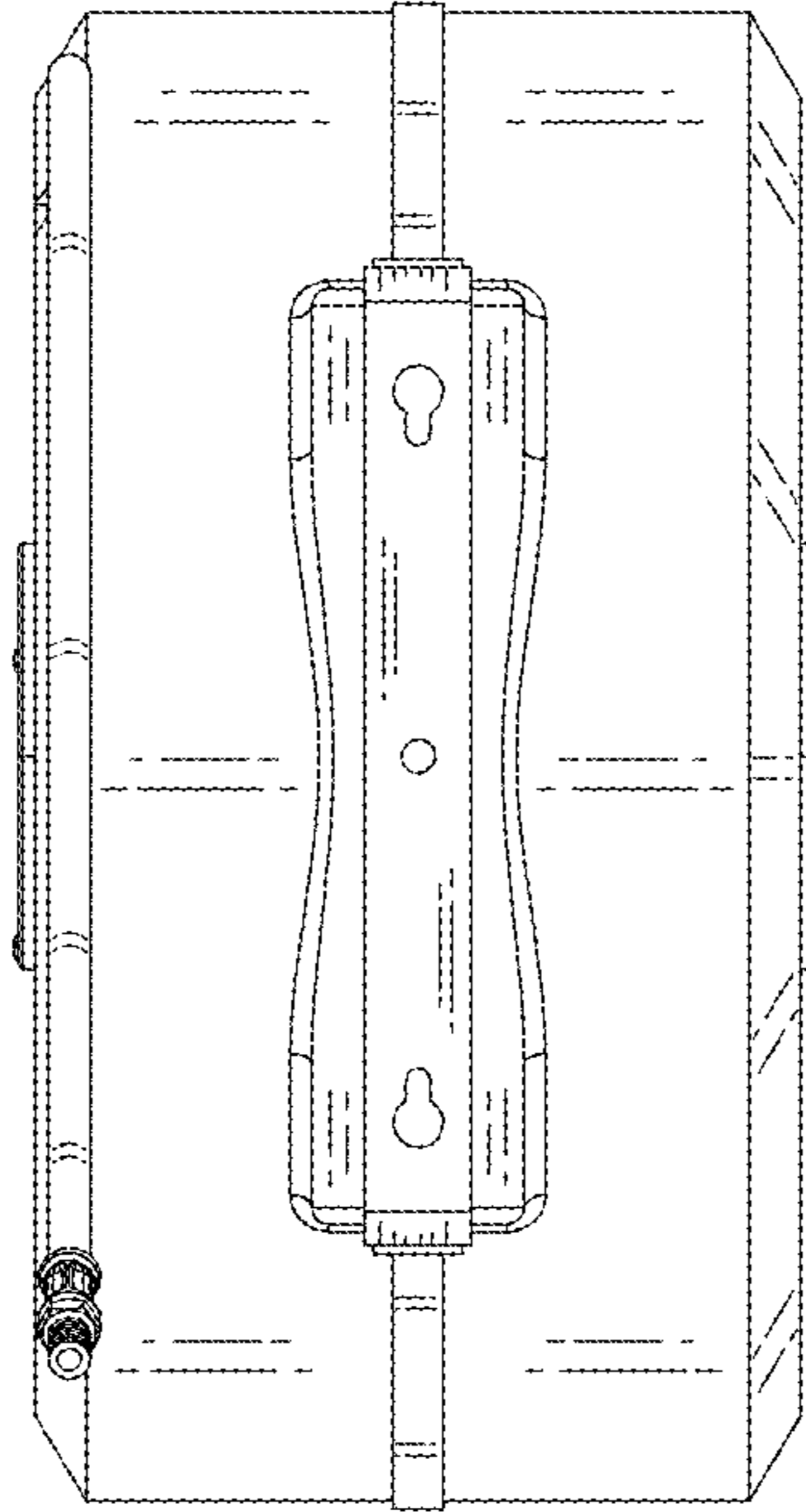


FIG.3

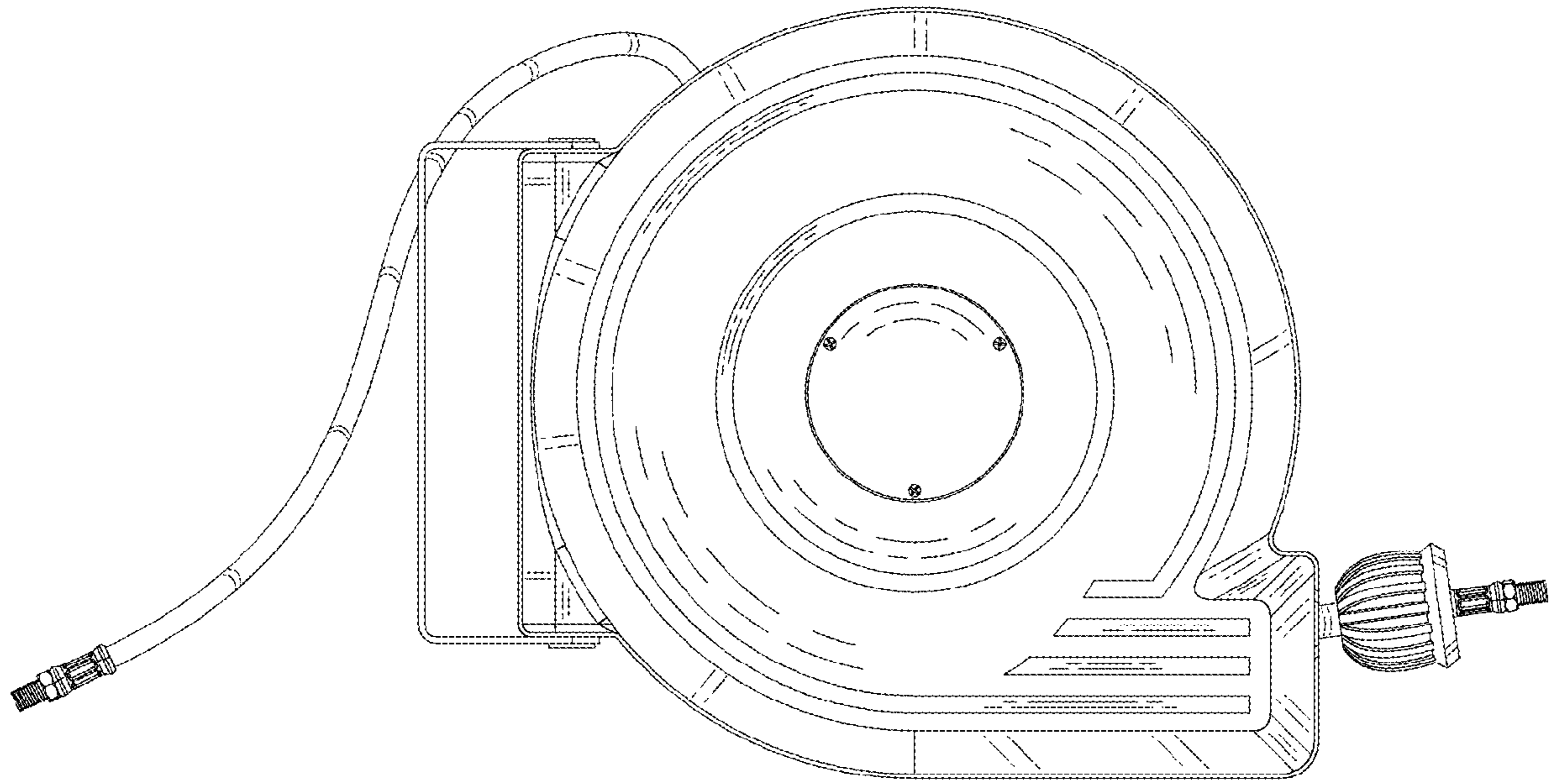


FIG.4

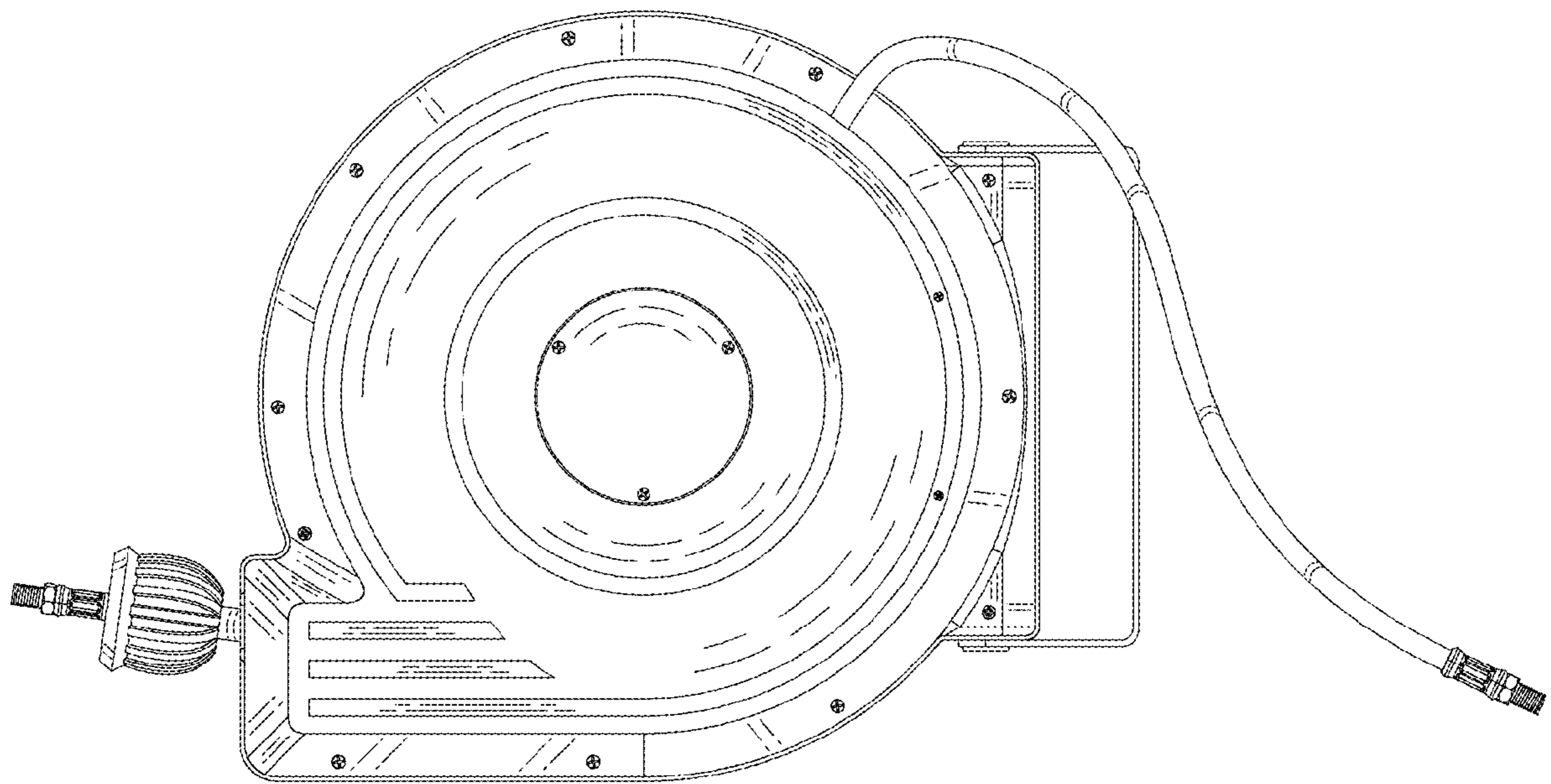


FIG.5

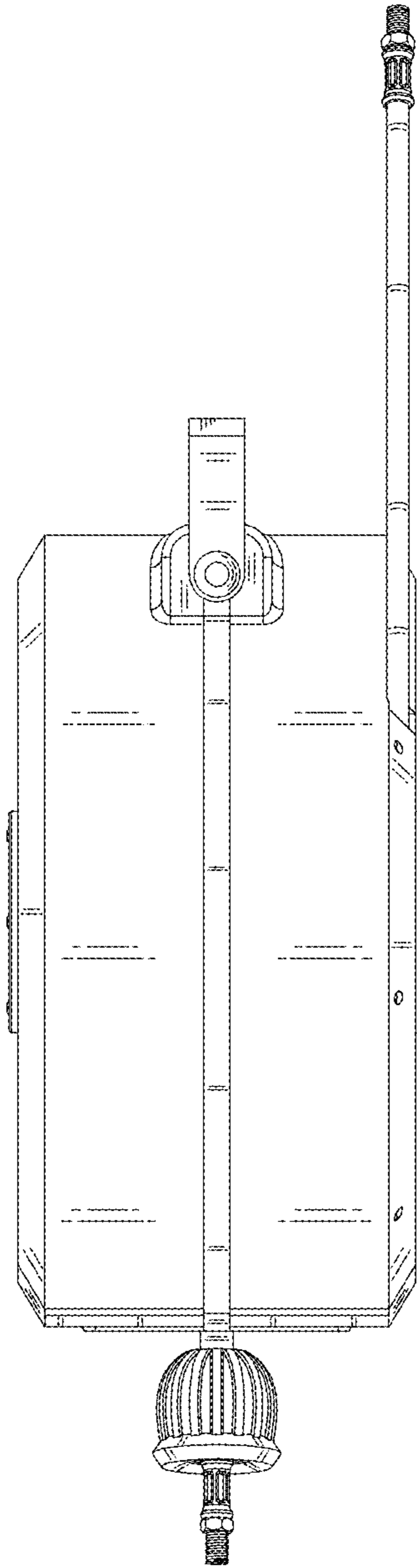


FIG.6

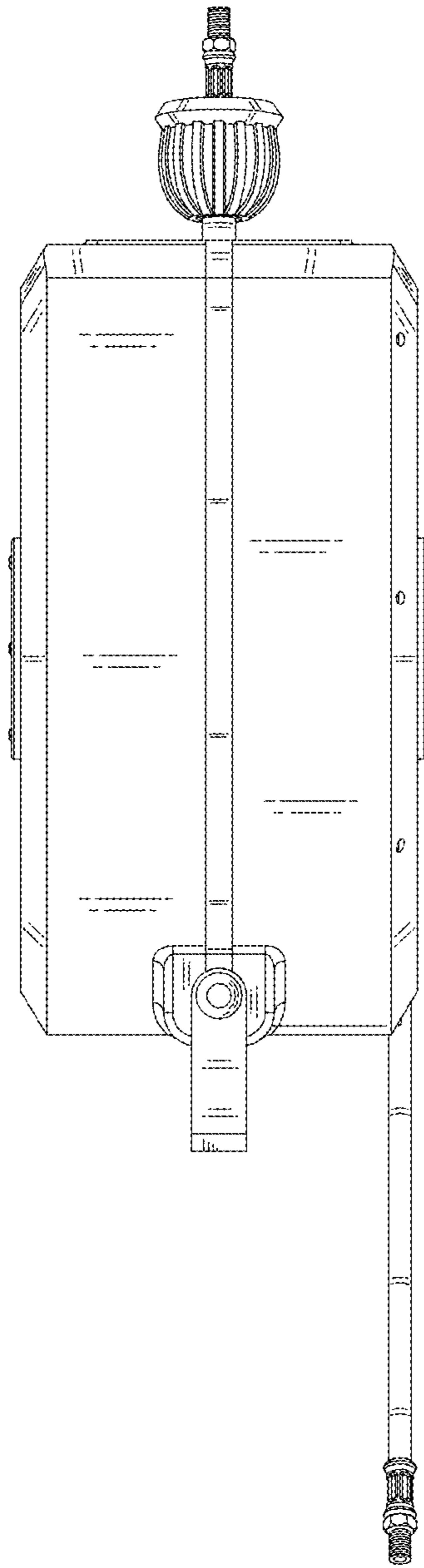


FIG.7