



US00D984245S

(12) **United States Design Patent**
Chen

(10) **Patent No.:** **US D984,245 S**

(45) **Date of Patent:** **** Apr. 25, 2023**

(54) **SWAGELESS INVISIBLE TENSION SET**

(71) Applicant: **Mianlong Chen**, Xiamen (CN)

(72) Inventor: **Mianlong Chen**, Xiamen (CN)

(**) Term: **15 Years**

(21) Appl. No.: **29/786,842**

(22) Filed: **Jun. 3, 2021**

(51) **LOC (14) Cl.** **08-08**

(52) **U.S. Cl.**
USPC **D8/356**

(58) **Field of Classification Search**
USPC D8/354, 355, 356, 382, 387, 44
CPC D07B 9/00; F16G 11/105; F16G 11/106;
F16G 11/025; F16G 11/04; F16B 2/065;
F16B 2/14

See application file for complete search history.

(56) **References Cited**

U.S. PATENT DOCUMENTS

3,852,850	A *	12/1974	Filhaber	F16G 11/048 24/115 M
3,952,377	A *	4/1976	Morell	E04C 5/122 403/374.2
5,015,023	A *	5/1991	Hall	F16G 11/048 294/102.1
5,369,849	A *	12/1994	De France	F16G 11/048 24/115 M
D423,913	S *	5/2000	Dougan, Jr.	F16G 11/025 D8/356
7,043,801	B2 *	5/2006	Toimil	F16G 11/106 24/136 R
D531,014	S *	10/2006	Arakawa	F16G 11/106 D8/383
D563,772	S *	3/2008	Durocher	F16G 11/048 D8/356
D814,269	S *	4/2018	Veilleux	F16G 11/042 D8/356
10,436,231	B2 *	10/2019	White	F16G 11/025
11,018,481	B1 *	5/2021	Crompton	H02G 1/081

11,391,344	B1 *	7/2022	Sargent	D07B 9/00
2018/0030832	A1 *	2/2018	Abreu	E21D 21/008
2020/0002947	A1 *	1/2020	Hachisuka	D07B 9/00
2021/0254340	A1 *	8/2021	Winistörfer	F16G 11/042

* cited by examiner

Primary Examiner — Philip S Hyder

(74) *Attorney, Agent, or Firm* — Bayramoglu Law Offices LLC

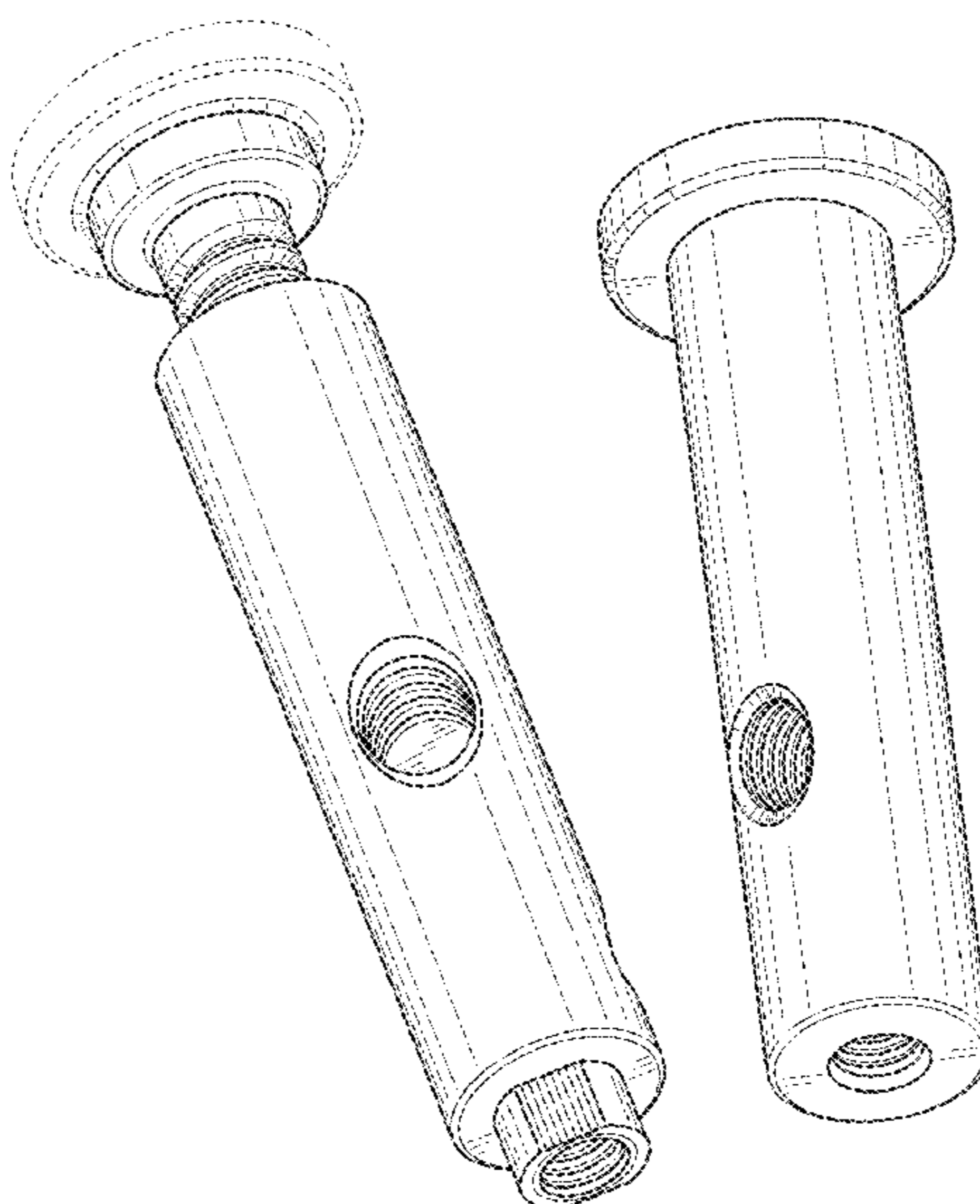
(57) **CLAIM**

The ornamental design for a set of swageless invisible tension, as shown and described.

DESCRIPTION

FIG. 1 is a perspective view of a set of swageless invisible tension showing my new design;
 FIG. 2 is a perspective view of a fixing part of the set of swageless invisible tension;
 FIG. 3 is a front view thereof;
 FIG. 4 is a rear view thereof;
 FIG. 5 is a right side view thereof;
 FIG. 6 is a left side view thereof;
 FIG. 7 is a top view thereof, a bottom view being flat and devoid of surface ornamentation;
 FIG. 8 is a perspective view of a tensioning part of the set of swageless invisible tension;
 FIG. 9 is a rear view thereof;
 FIG. 10 is a front view thereof;
 FIG. 11 is a right side view thereof;
 FIG. 12 is a left side view thereof;
 FIG. 13 is a top view thereof; and,
 FIG. 14 is a bottom view thereof.
 The broken lines depict portions of the set of swageless invisible tension in which the design is embodied that form no part of the claimed design.

1 Claim, 14 Drawing Sheets



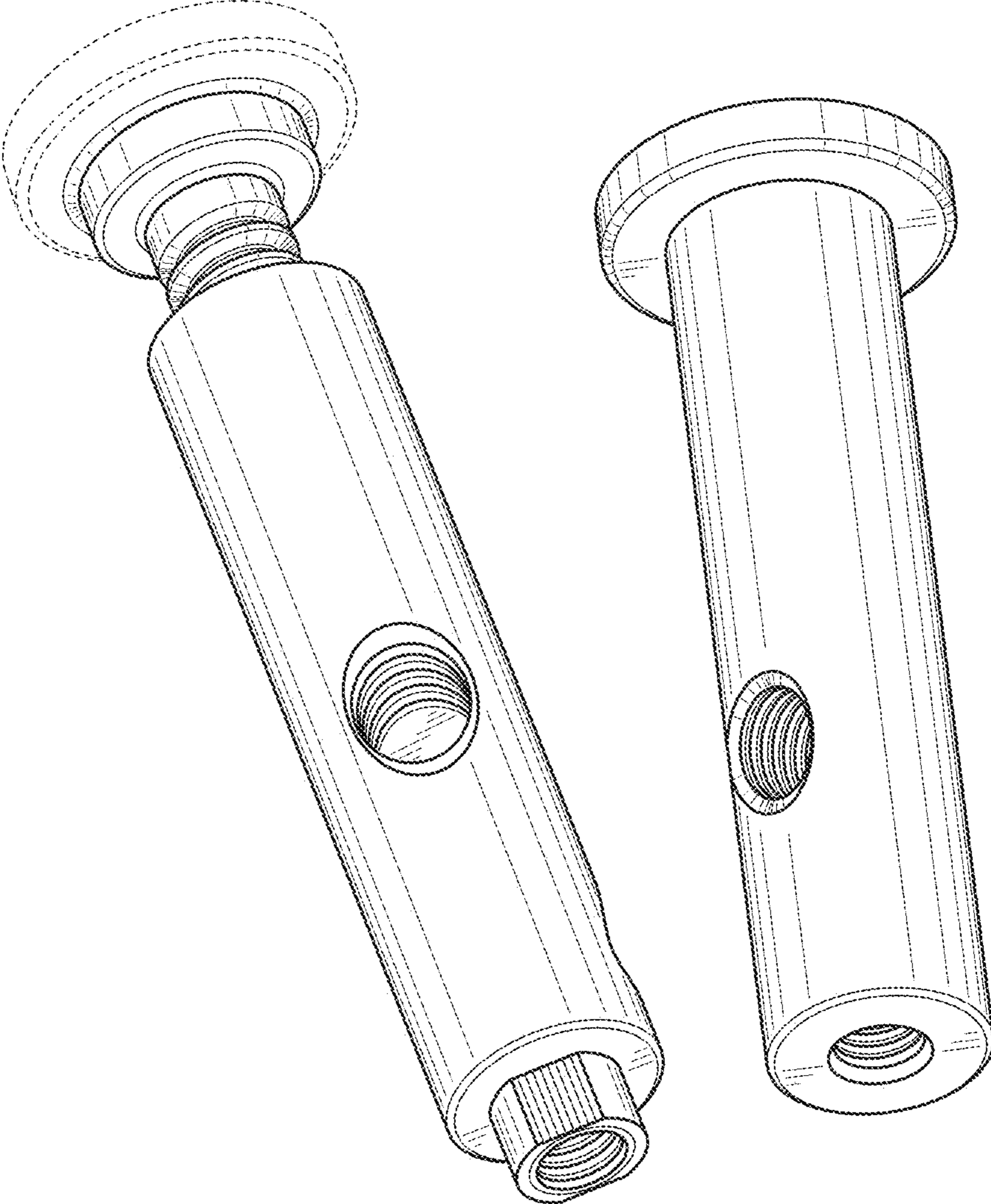


Fig. 1

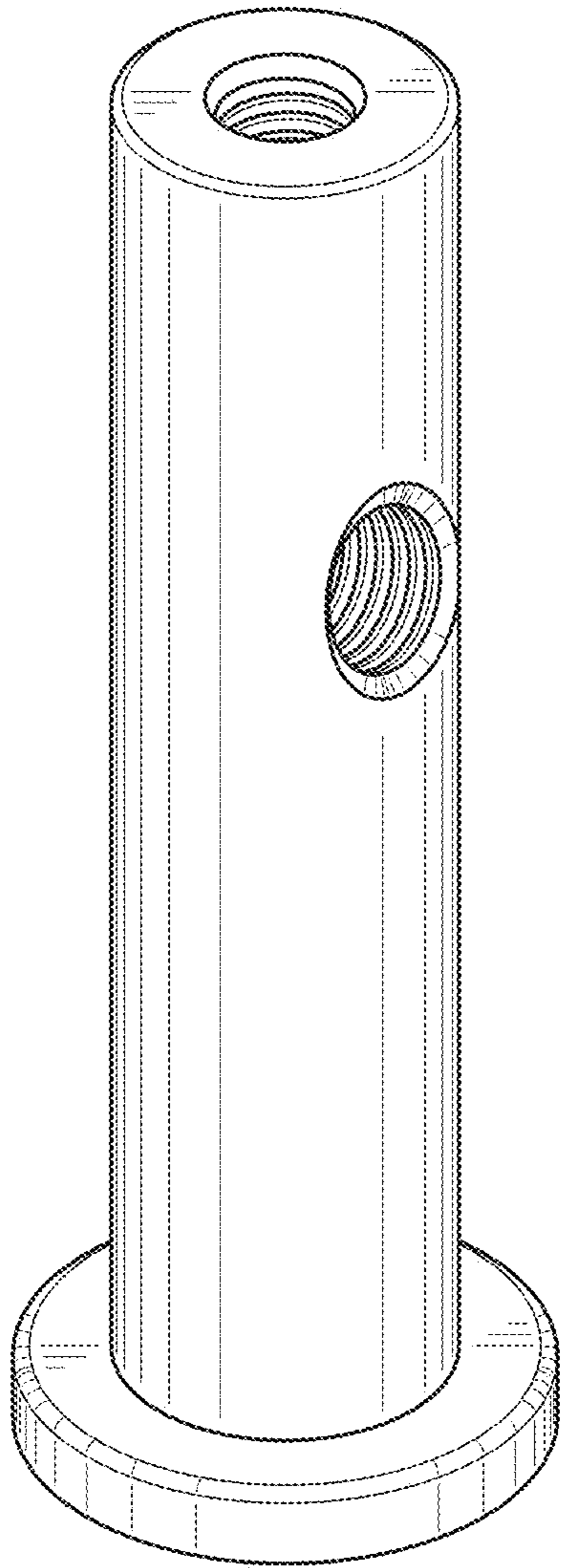


Fig. 2

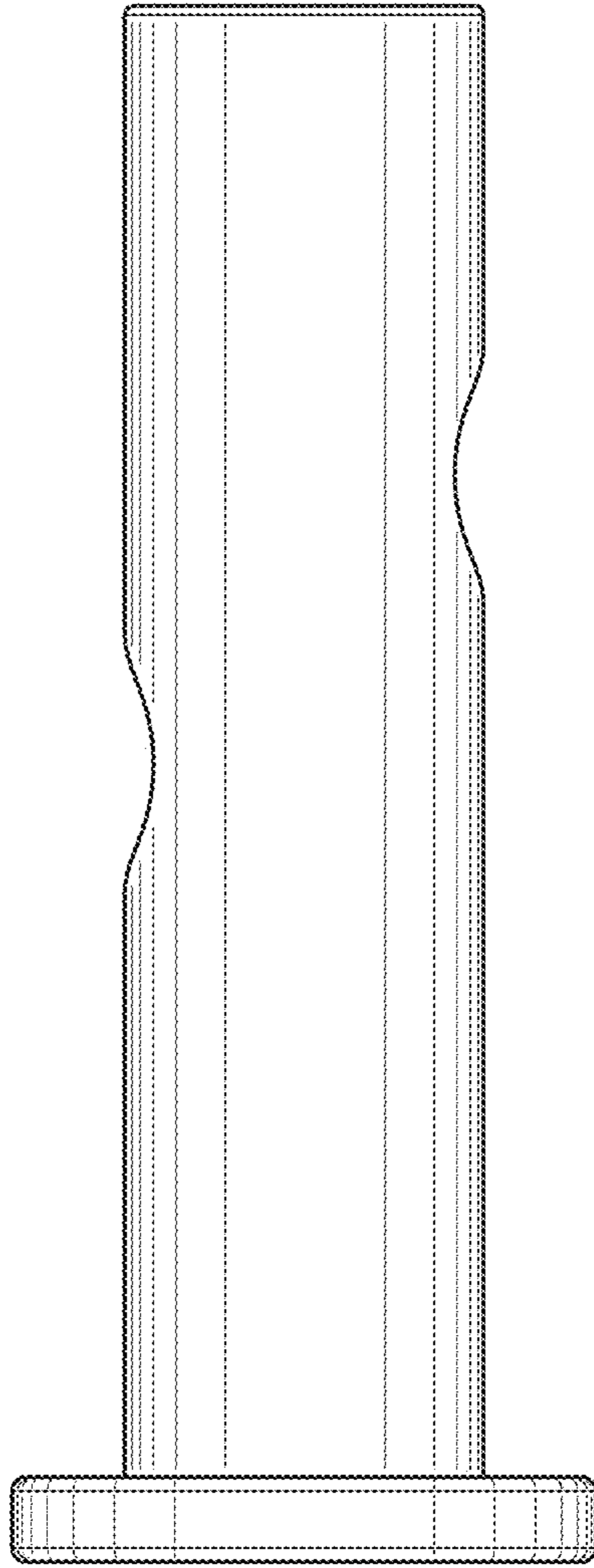


Fig. 3

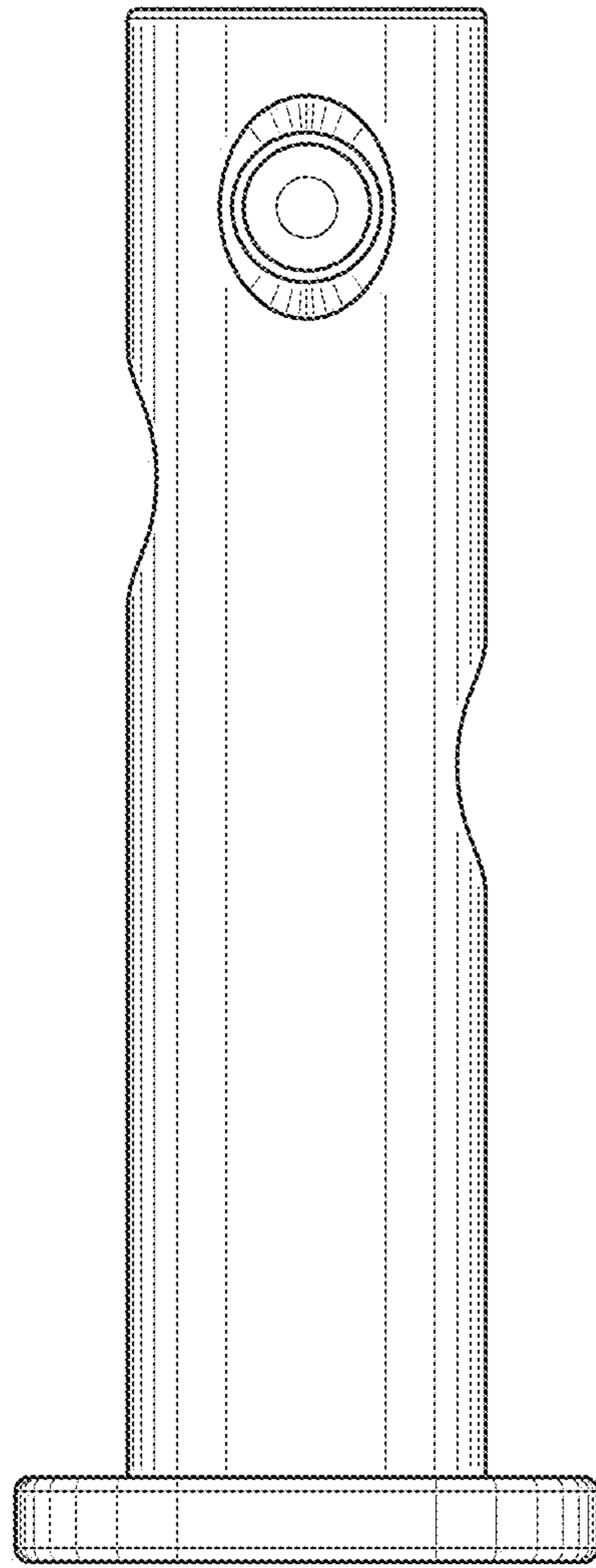


Fig. 4

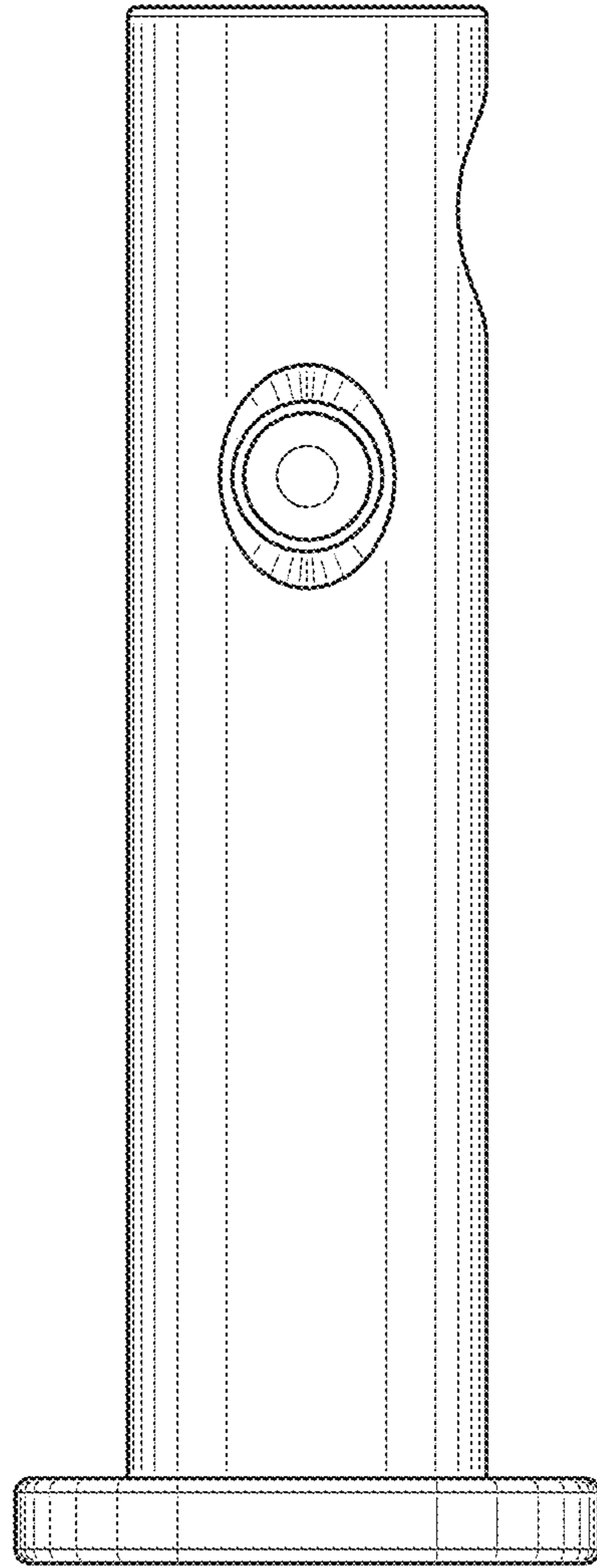


Fig. 5

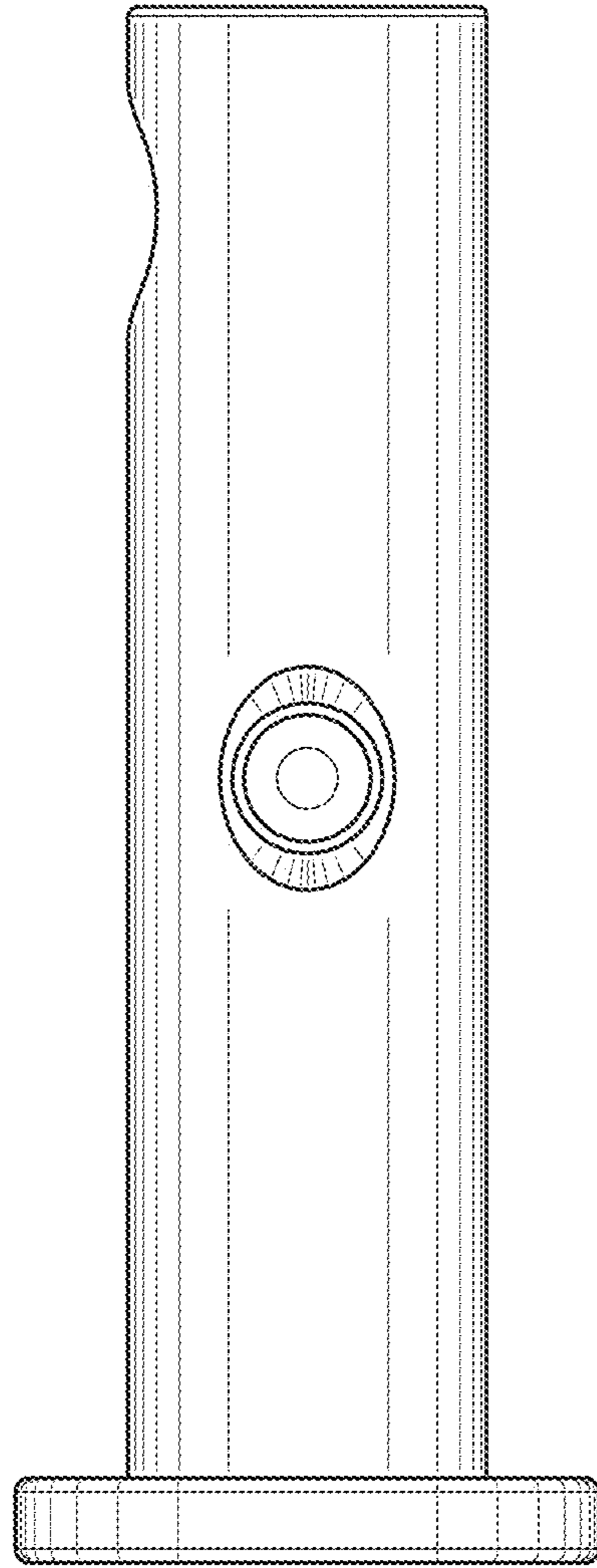


Fig. 6

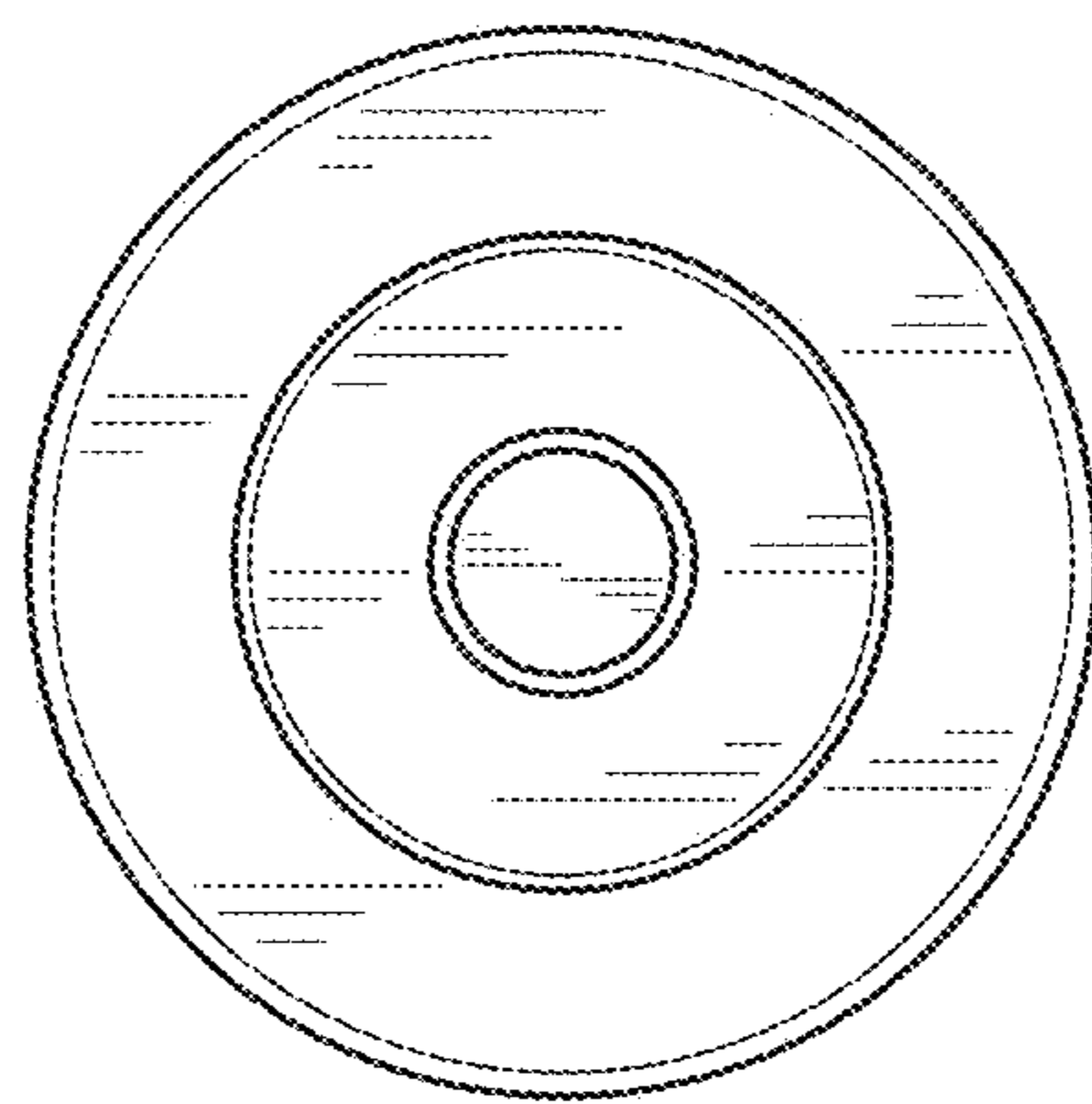


Fig. 7

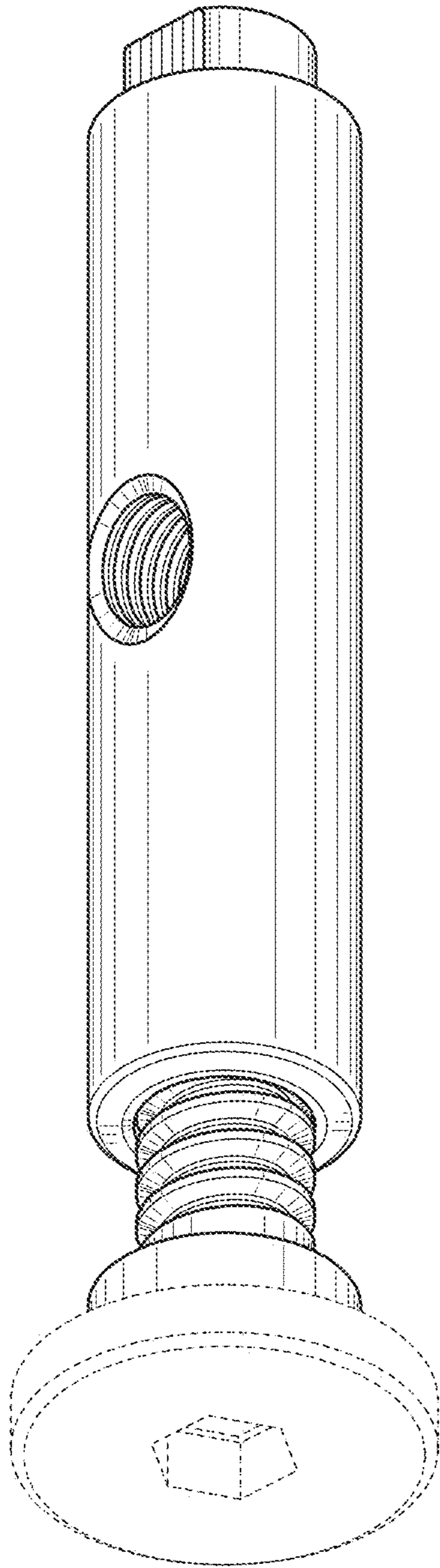


Fig. 8

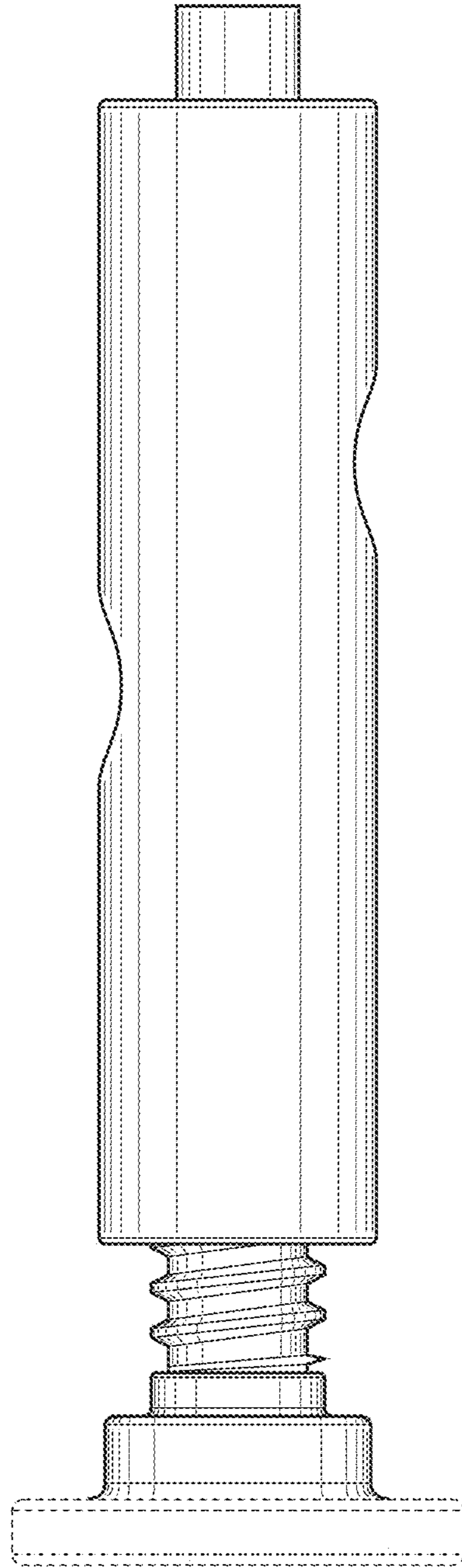


Fig. 9

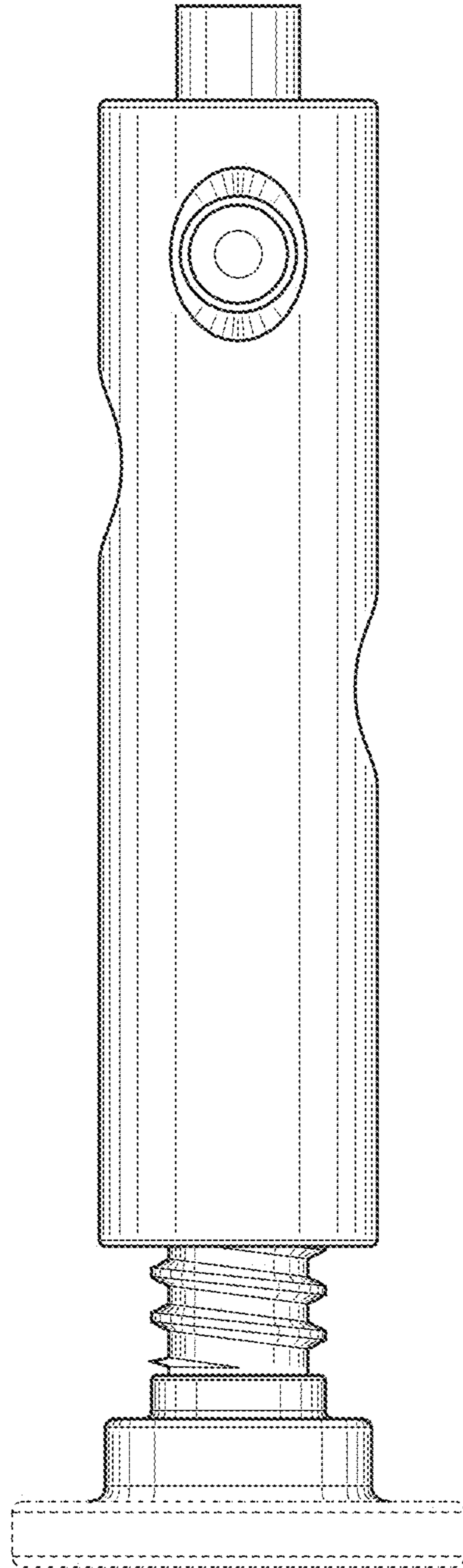


Fig. 10

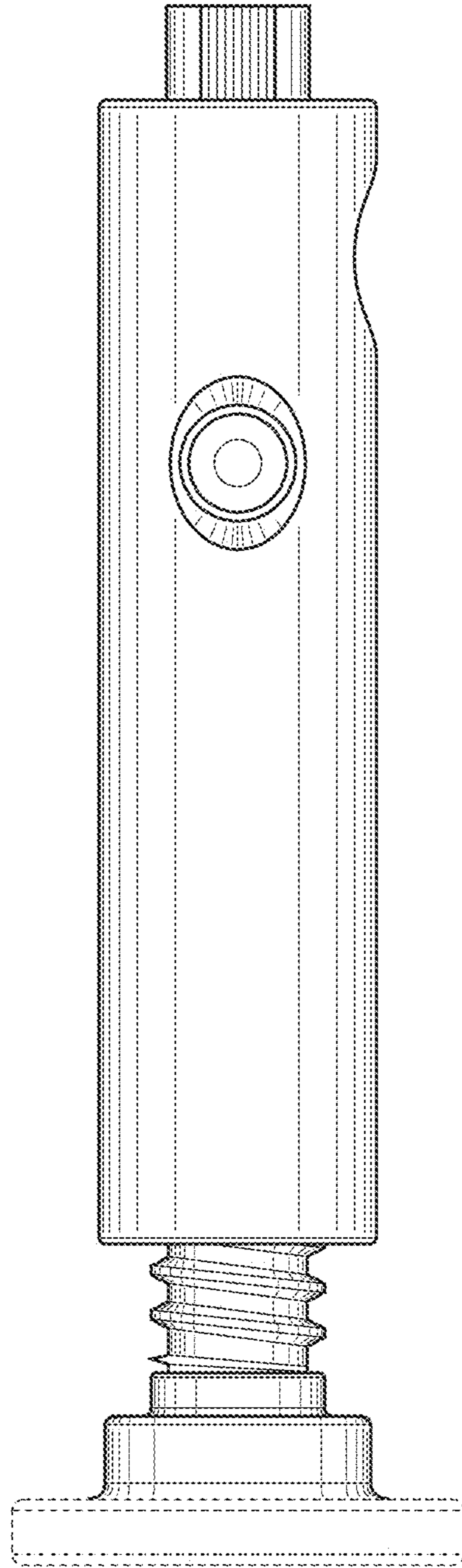


Fig. 11

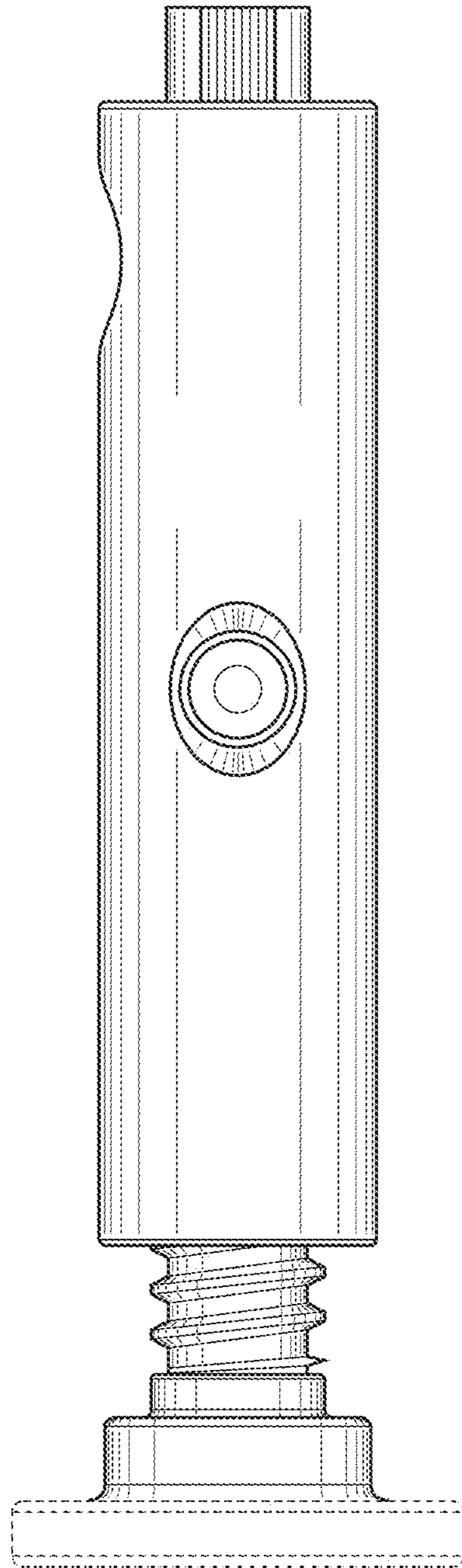


Fig. 12

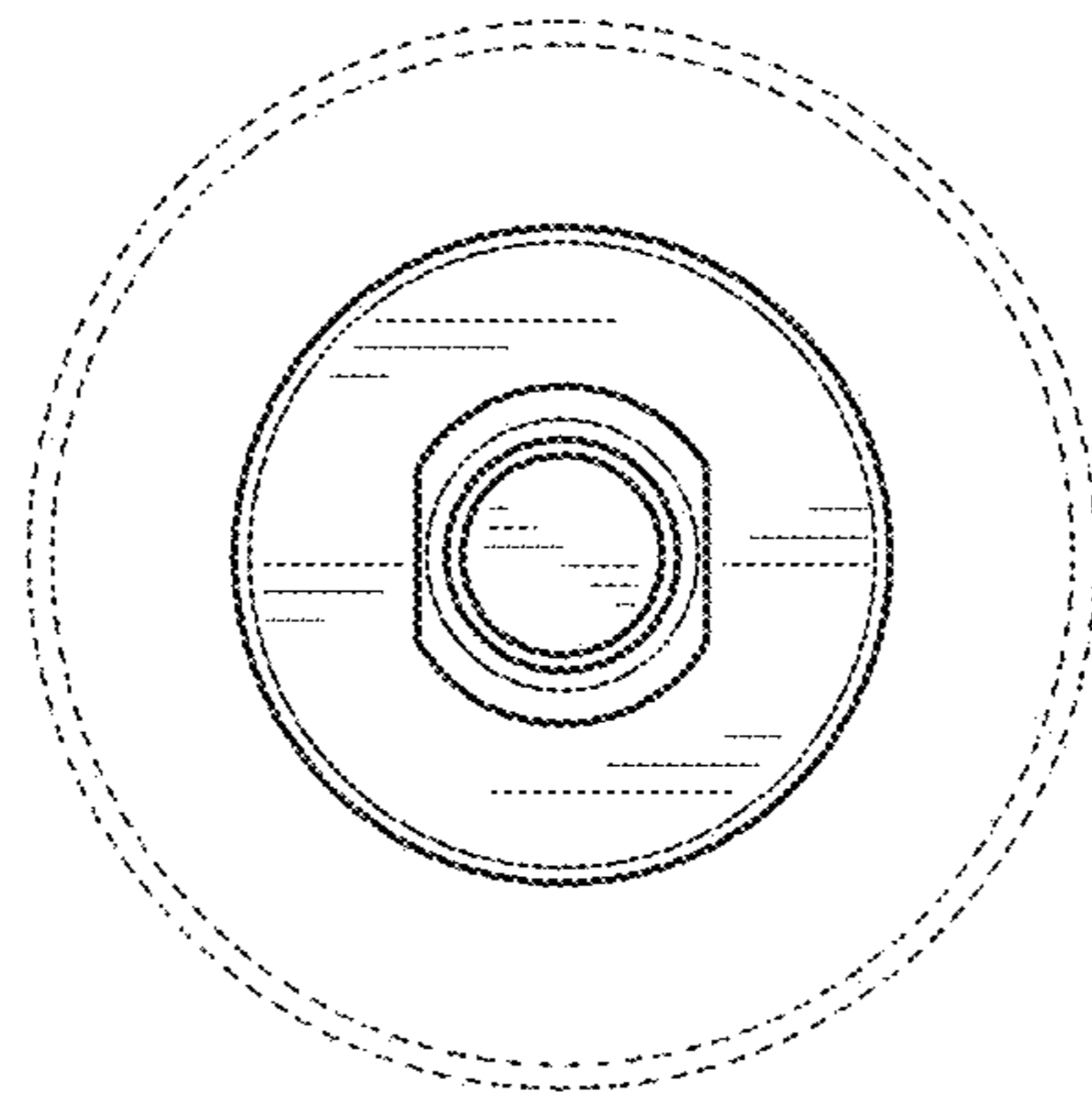


Fig. 13

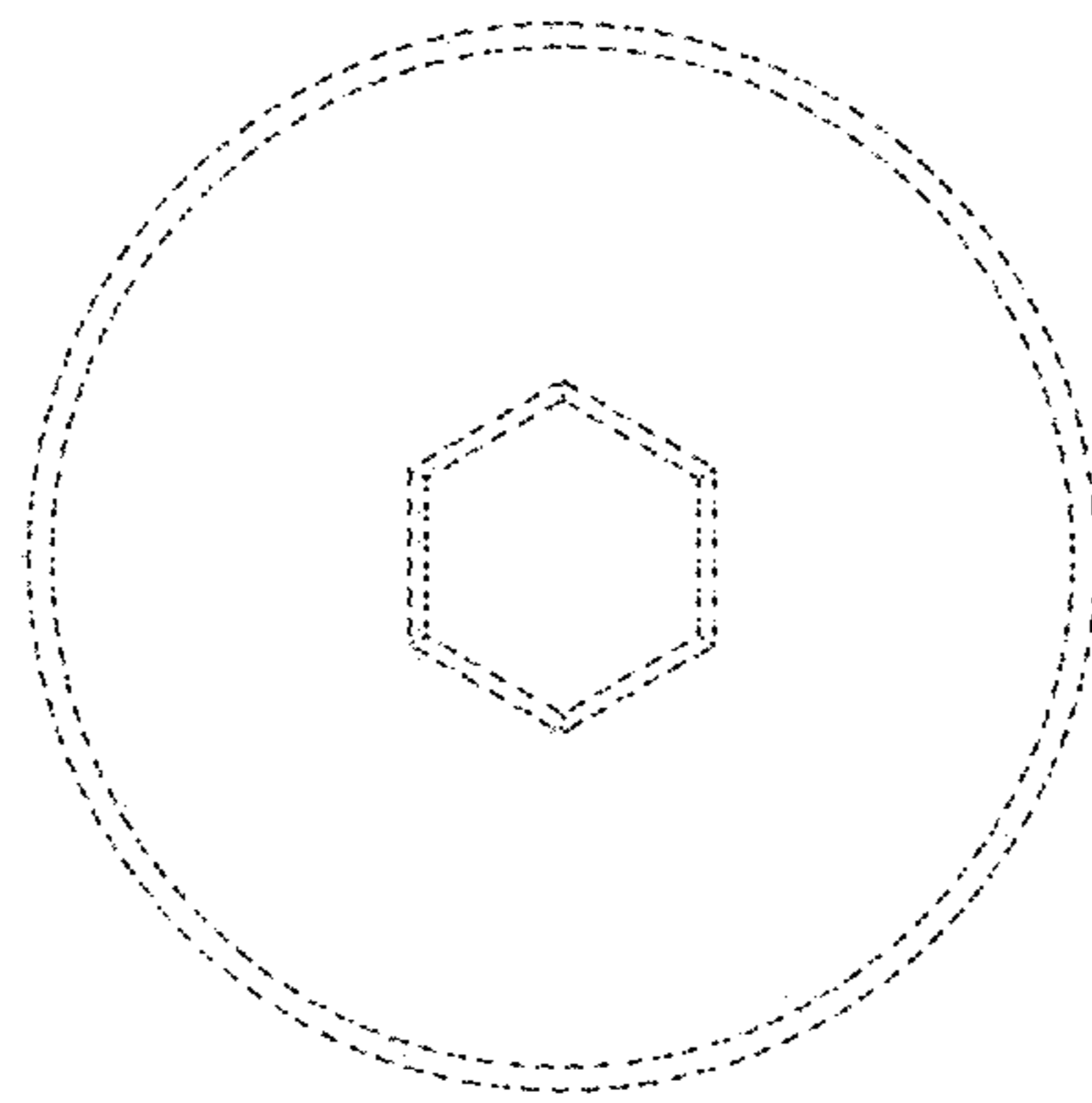


Fig. 14