



US00D984244S

(12) **United States Design Patent**
Wu et al.

(10) **Patent No.:** **US D984,244 S**
(45) **Date of Patent:** **** Apr. 25, 2023**

(54) **MOUNTING STRUCTURE FOR DETECTION APPARATUS**

D391,228 S * 2/1998 Biller D13/160
D393,626 S * 4/1998 Siat D13/158
D394,243 S * 5/1998 Siat D13/158

(71) Applicant: **Getac Technology Corporation**,
Hsinchu County (CN)

(Continued)

(72) Inventors: **Yu-Chin Wu**, Taipei (TW);
Hsien-Chen Hu, Taipei (TW)

Primary Examiner — Karen S Acker

Assistant Examiner — Elizabeth S Ko

(73) Assignee: **GETAC TECHNOLOGY CORPORATION**, Hsinchu County (TW)

(74) *Attorney, Agent, or Firm* — Locke Lord LLP; Tim Tingkang Xia, Esq.

(**) Term: **15 Years**

(57) **CLAIM**

(21) Appl. No.: **29/719,831**

The ornamental design for a mounting structure for detection apparatus, as shown and described.

(22) Filed: **Jan. 8, 2020**

(51) **LOC (14) Cl.** **08-05**

(52) **U.S. Cl.**
USPC **D8/354**

DESCRIPTION

(58) **Field of Classification Search**
USPC D8/366, 390, 354–356, 358, 363–364,
D8/394–395, 382, 373, 349; D10/121,
D10/103; D21/681; D13/160
CPC A61B 2560/0214; A61B 2560/0412; A61B
2560/0475; A61B 2560/0487; A61B
2562/0295; A61B 5/0004; A61B 5/002;
A61B 5/0022; A61B 5/0024; A61B
5/02055; A61B 5/14503; A61B 5/14532;
A61B 5/14865; A61B 5/6849; A61B
5/6898; A61B 5/72; A61B 5/7405; A61B
5/742; A61B 5/7425; A61B 5/7455;
C12Q 1/001; C12Q 1/006; G06K
7/10366; H04L 67/12; A61M 2005/1726;
A61M 2205/33; A61M 2205/3584; A61M
2205/502; A61M 2230/201; A61M 5/158;
A61M 5/1723; A61M 5/3286

FIG. 1 is a front, right and top perspective view of a mounting structure for detection apparatus showing my new design;
FIG. 2 is a front elevational view thereof;
FIG. 3 is a rear elevational view thereof;
FIG. 4 is a left side elevational view thereof;
FIG. 5 is a right side elevational view thereof;
FIG. 6 is a top plan view thereof;
FIG. 7 is a bottom plan view thereof;
FIG. 8 is a left, front and top perspective view thereof,
FIG. 9 is a left, rear and bottom perspective view thereof;
FIG. 10 is a right, front and top perspective view of a mounting structure for detection apparatus with unclaimed environment; and,
FIG. 11 is a left, front and top perspective view of a mounting structure for detection apparatus with unclaimed environment.

See application file for complete search history.

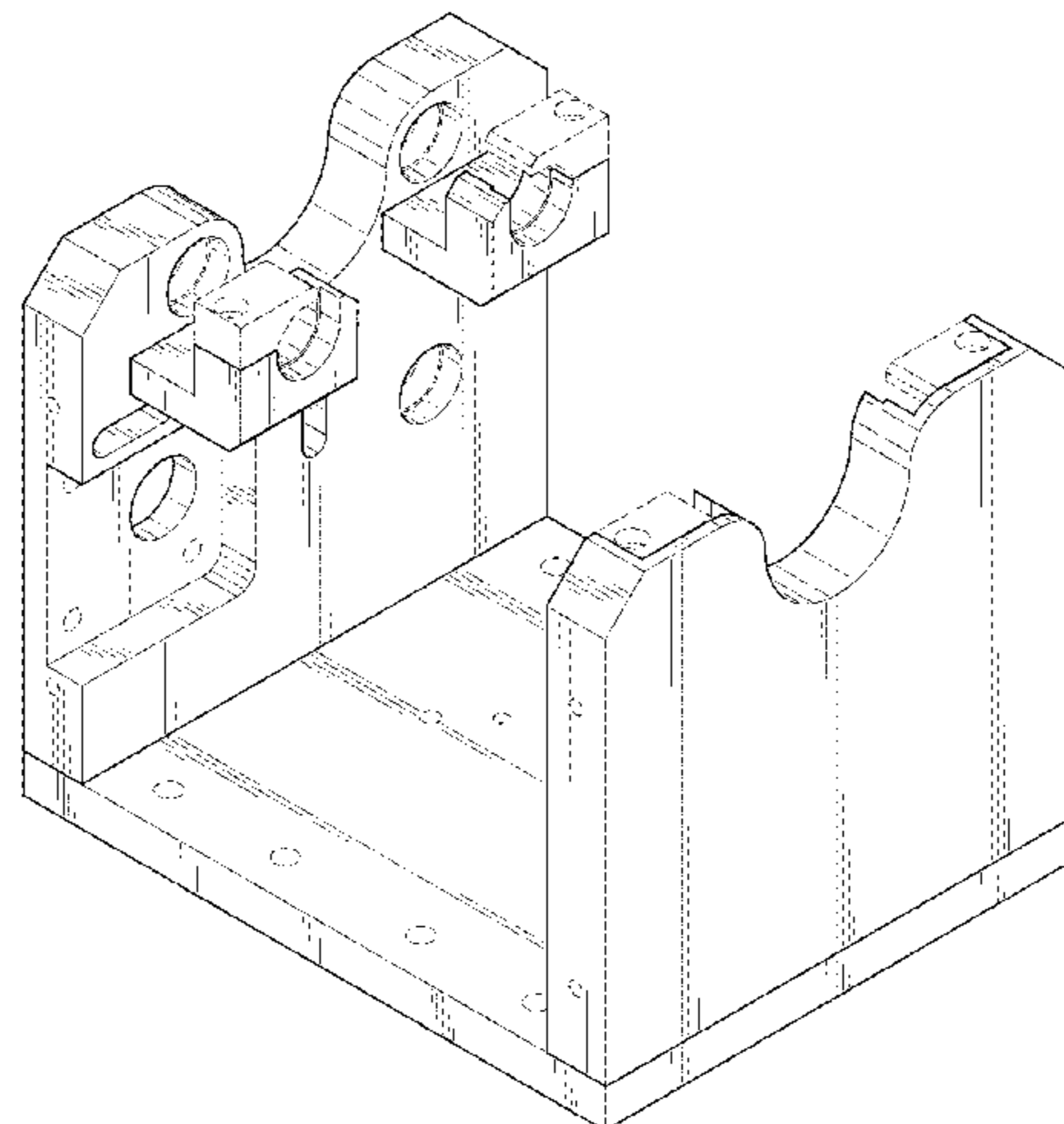
The broken lines in the drawings depict portions of the mounting structure for detection apparatus that forms no part of the claimed design. The additional broken lines in FIGS. 10-11 depict environmental subject matter that forms no part of the claimed design.

(56) **References Cited**

U.S. PATENT DOCUMENTS

D314,909 S * 2/1991 Schmidt D8/358
D357,669 S * 4/1995 Stack D13/160

1 Claim, 8 Drawing Sheets



(56)

References Cited

U.S. PATENT DOCUMENTS

6,099,327	A	*	8/2000	Chen	H01R 13/6583 439/95
D480,361	S	*	10/2003	Lee	D13/133
D504,307	S	*	4/2005	Dayan	D3/24
D533,139	S	*	12/2006	Roesch	D13/152
D643,374	S	*	8/2011	Naumann	D13/160
D643,375	S	*	8/2011	Naumann	D13/160
D643,376	S	*	8/2011	Naumann	D13/160
D737,352	S	*	8/2015	May	D15/145
D755,919	S	*	5/2016	Harnage	D22/134
D786,107	S	*	5/2017	Pileggi	D10/78
D838,575	S	*	1/2019	Helweg	D8/354
D890,597	S	*	7/2020	Qi	D8/354
D904,912	S	*	12/2020	Nighswander	D10/103
D909,184	S	*	2/2021	Miller	D8/354
D916,609	S	*	4/2021	Nakashima	D10/103
D924,174	S	*	7/2021	Lee	D13/158
D932,931	S	*	10/2021	Li	D10/121
D933,508	S	*	10/2021	Wolff	D10/80
D937,841	S	*	12/2021	Makela	D14/439

* cited by examiner

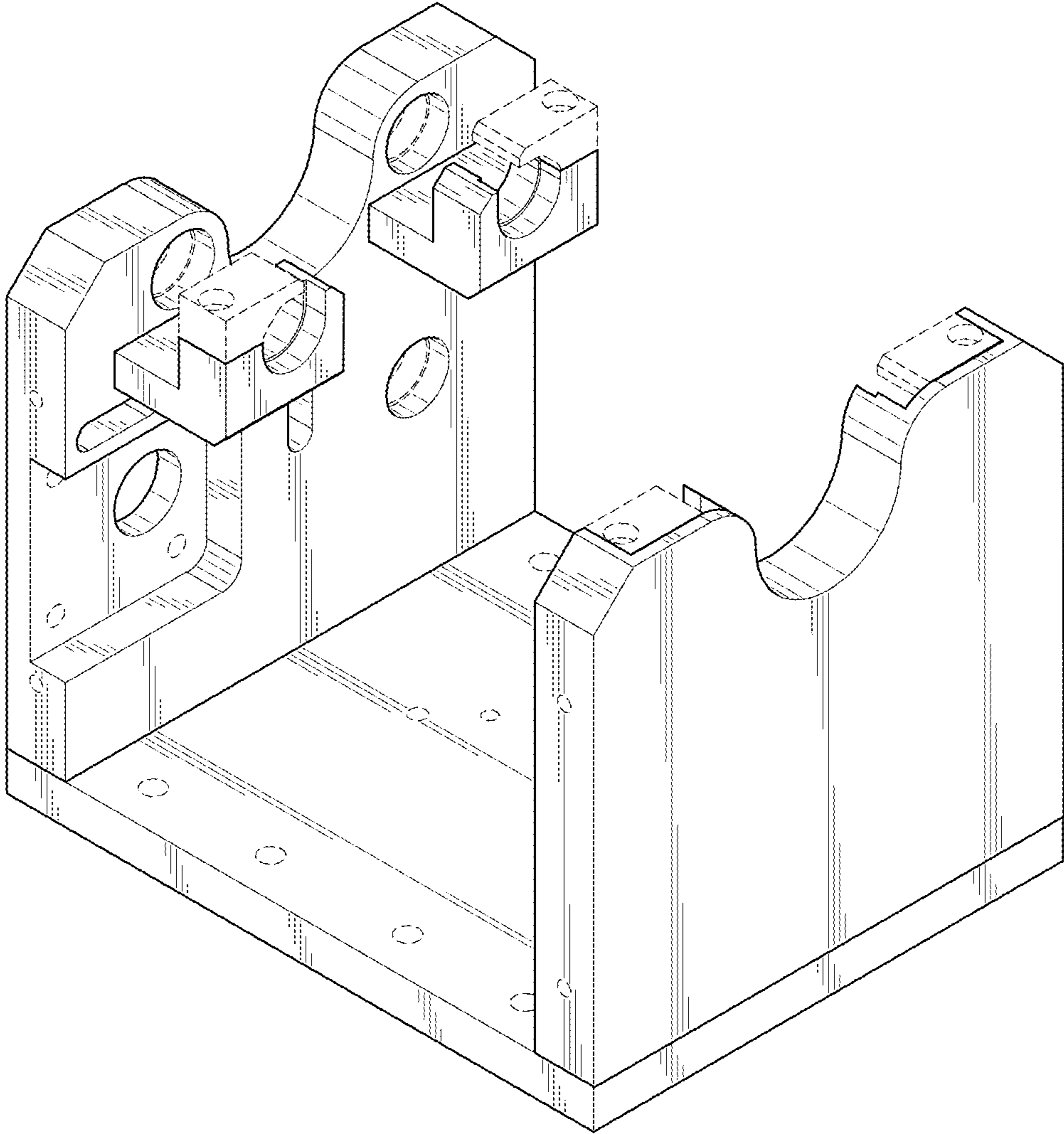


FIG. 1

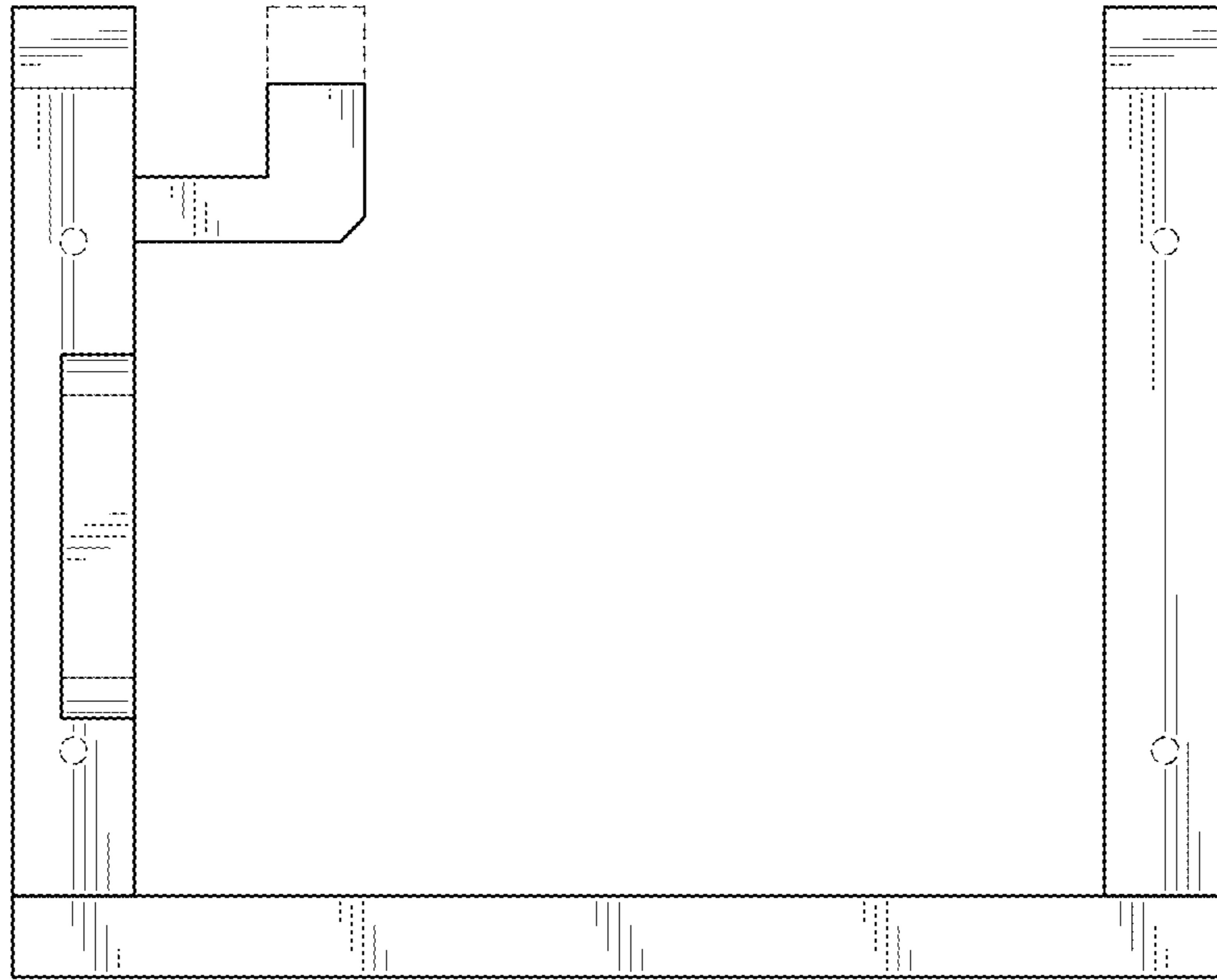


FIG. 2

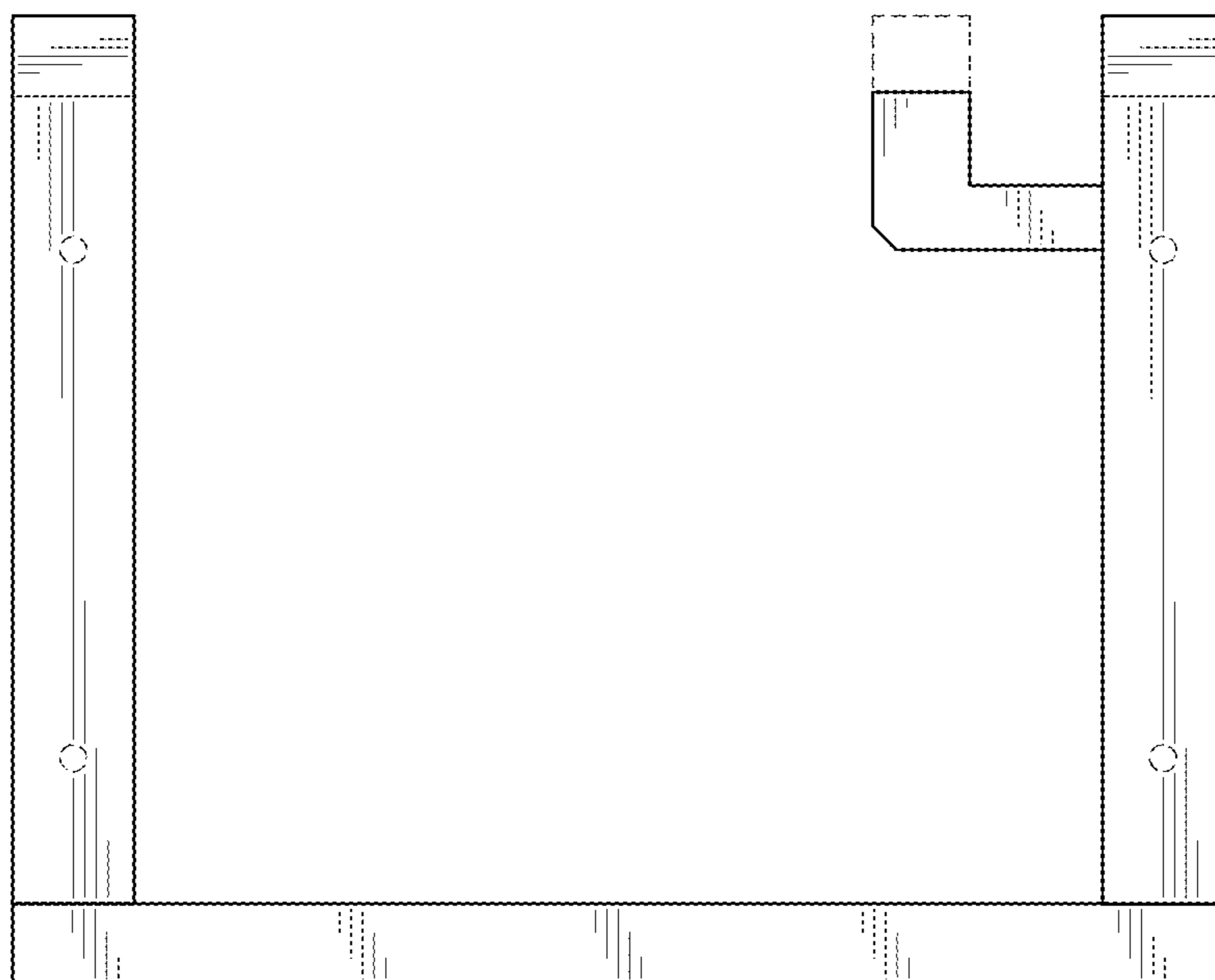


FIG. 3

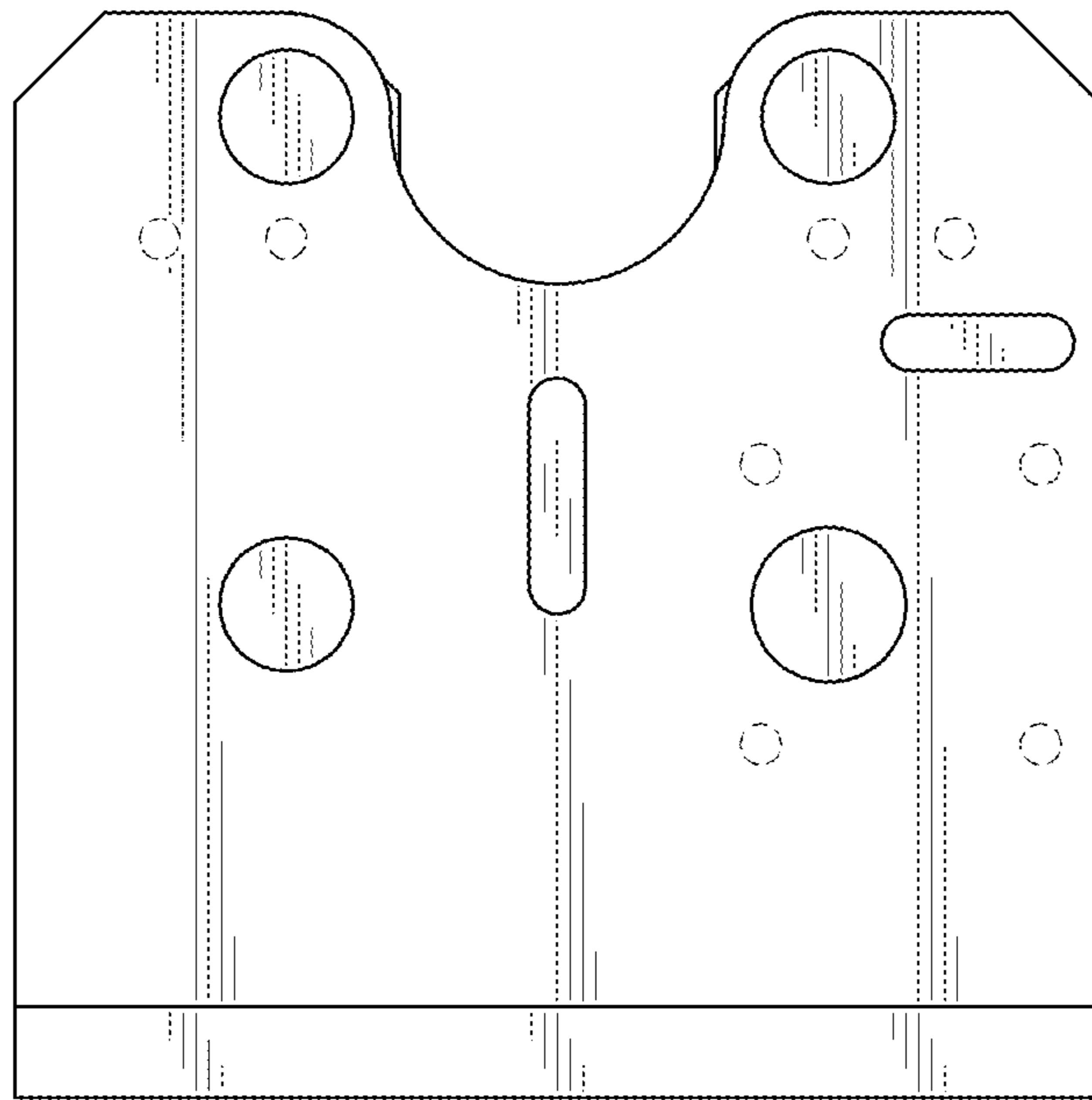


FIG. 4

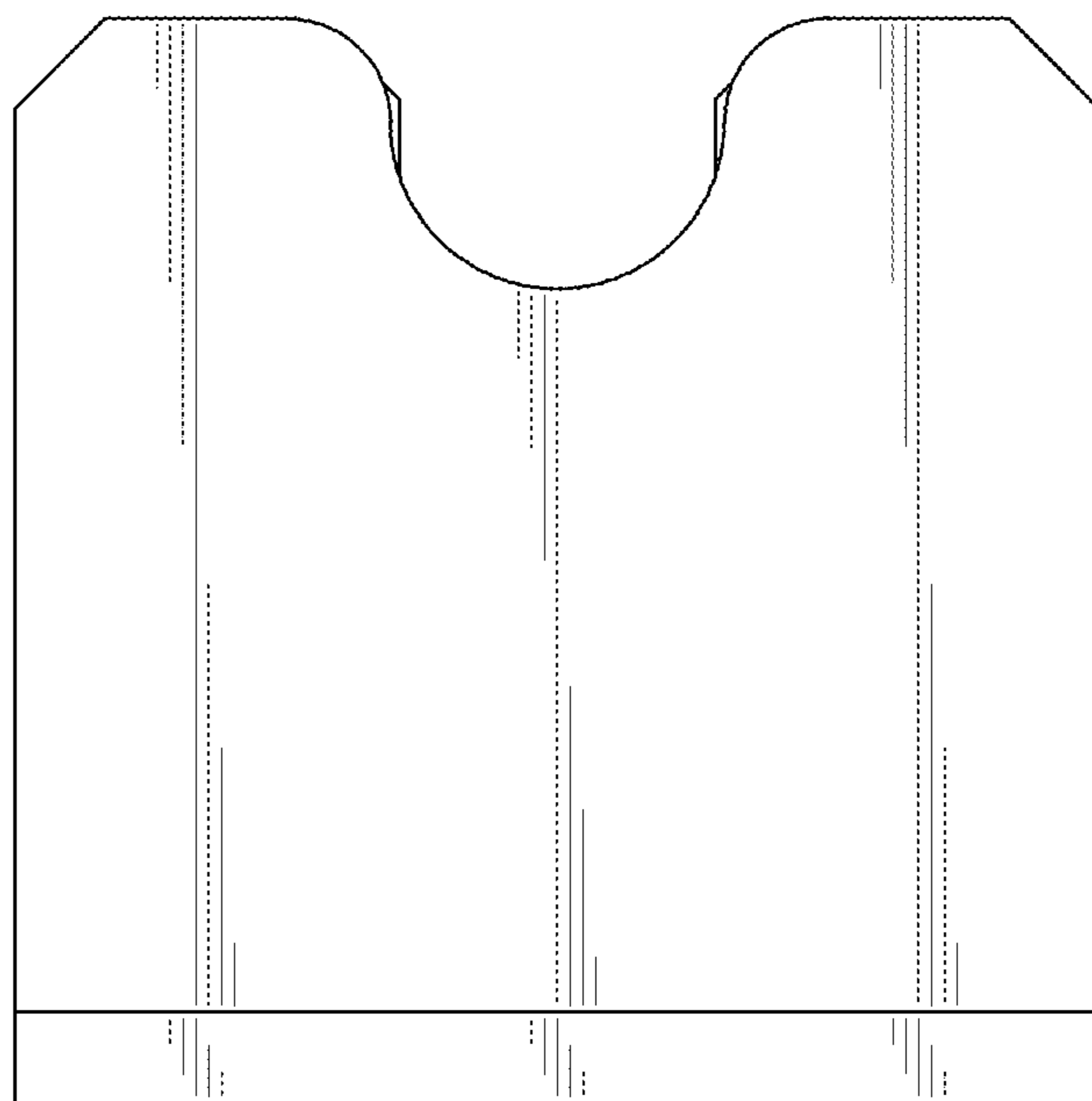


FIG. 5

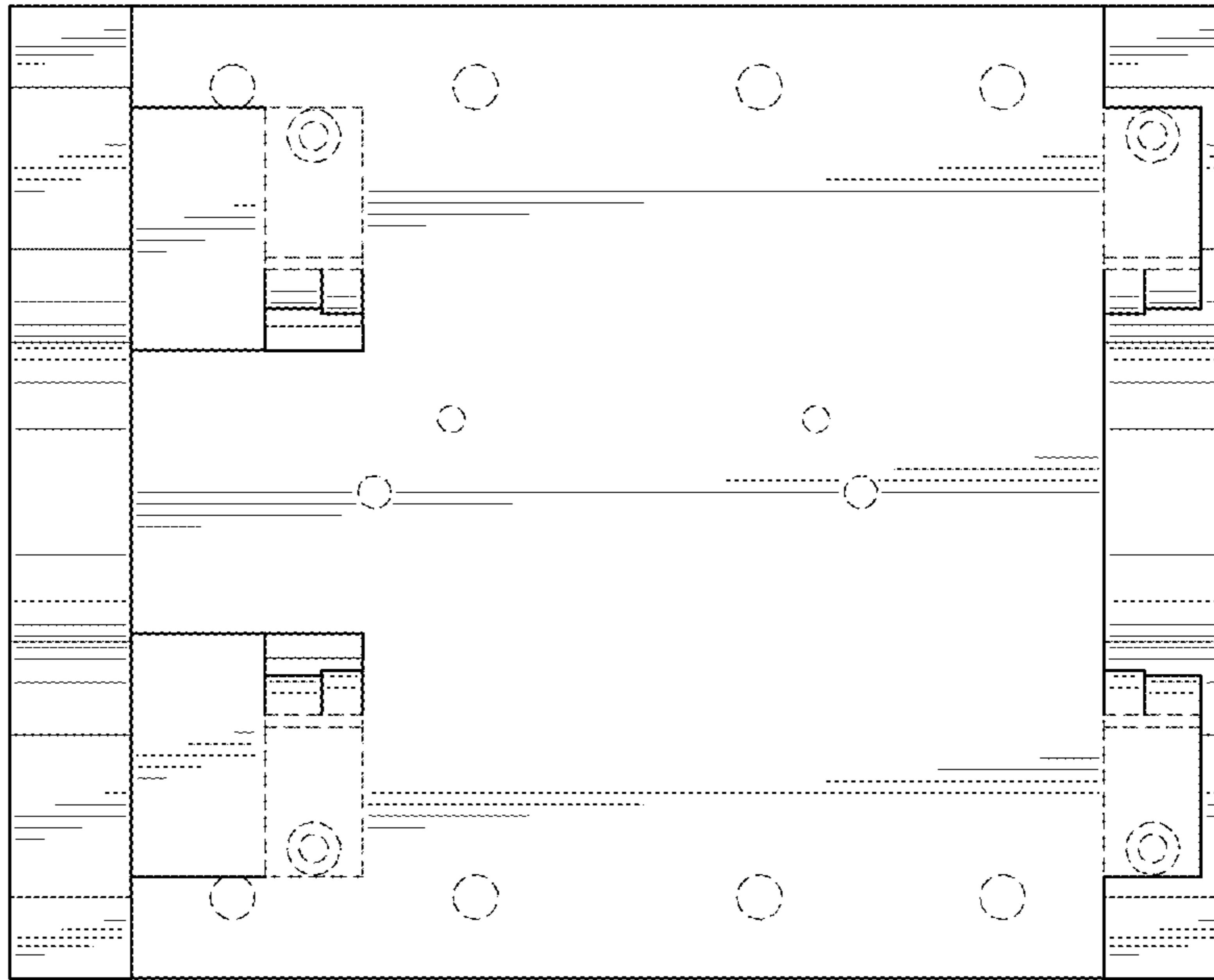


FIG. 6

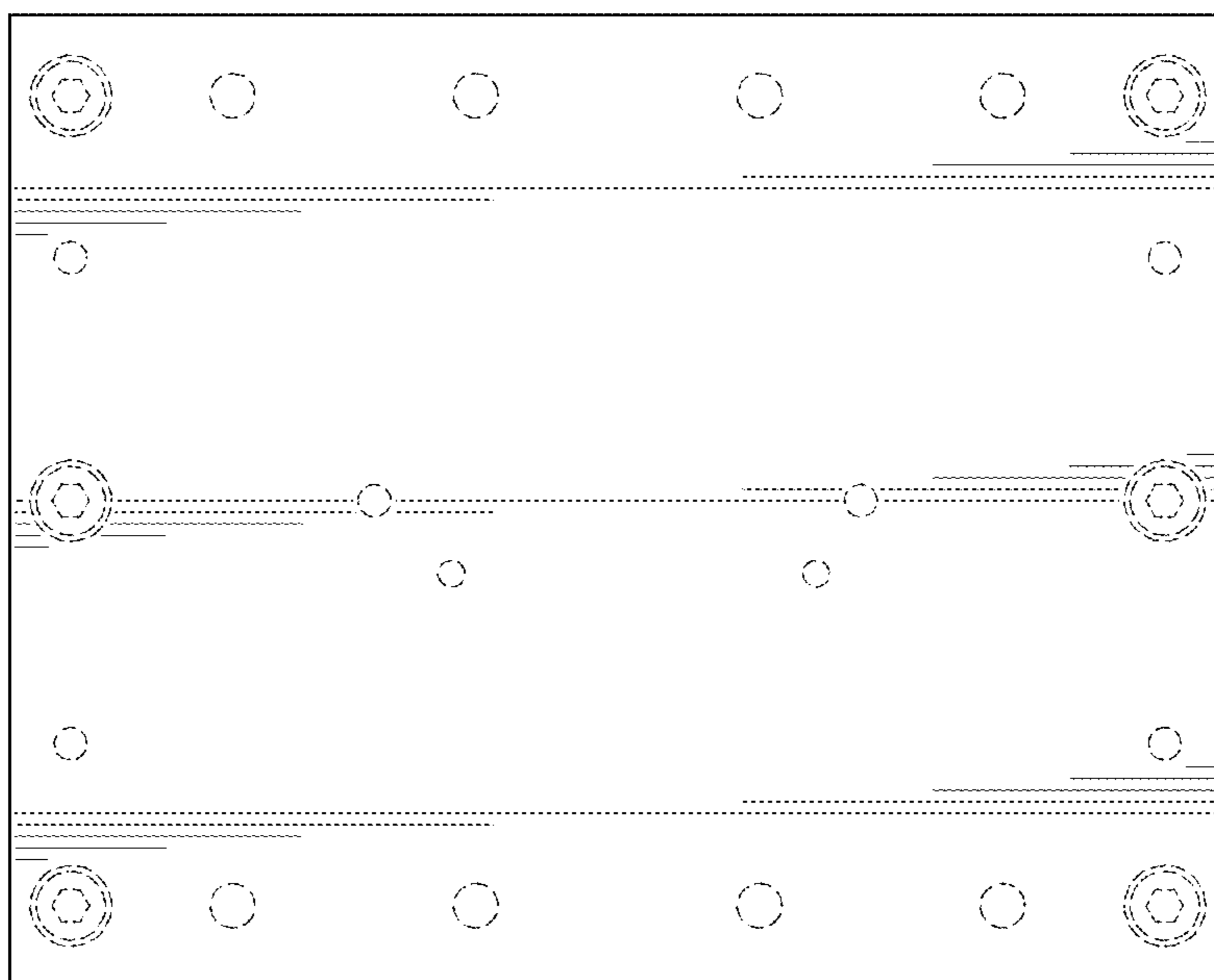


FIG. 7

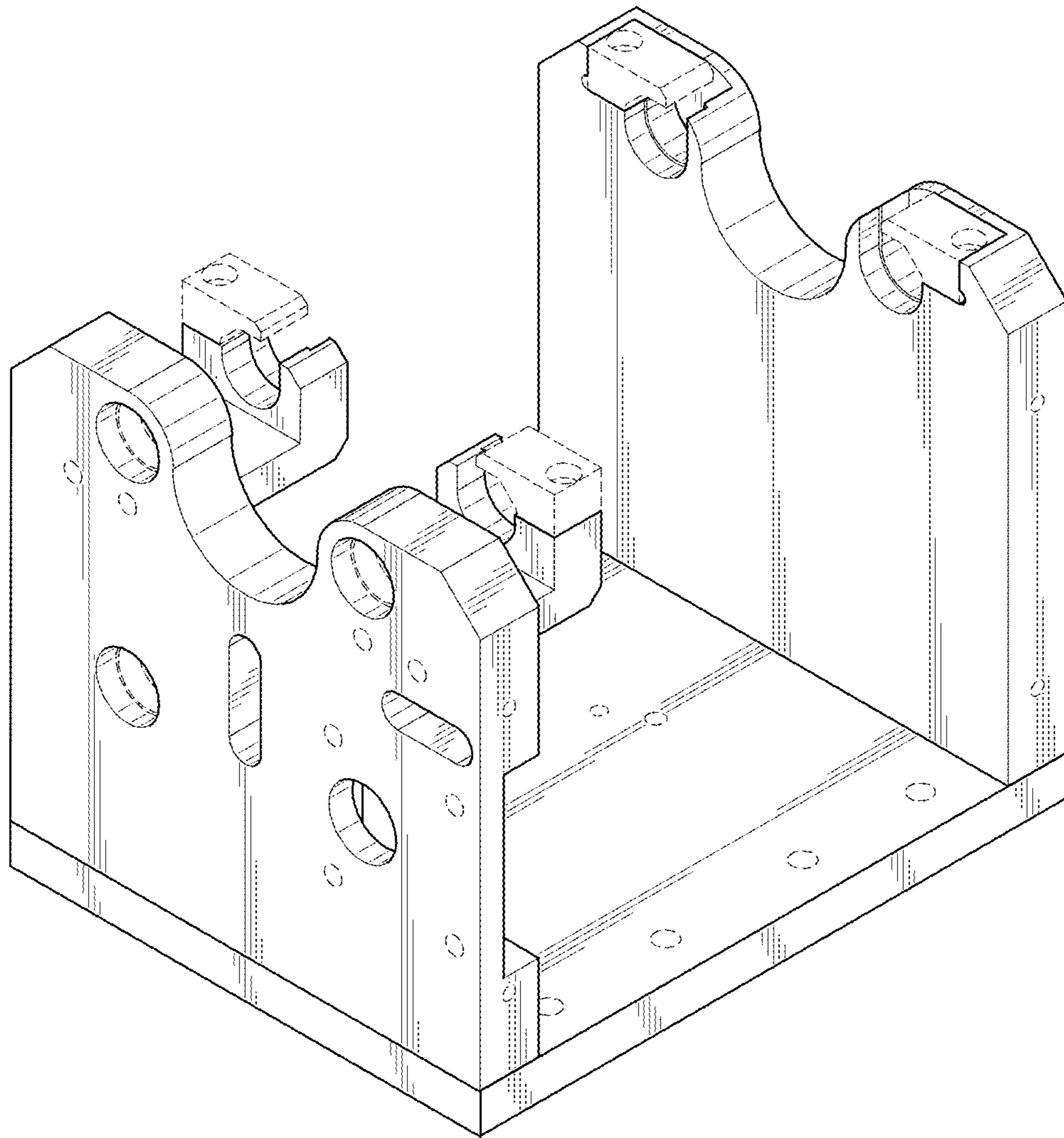


FIG. 8

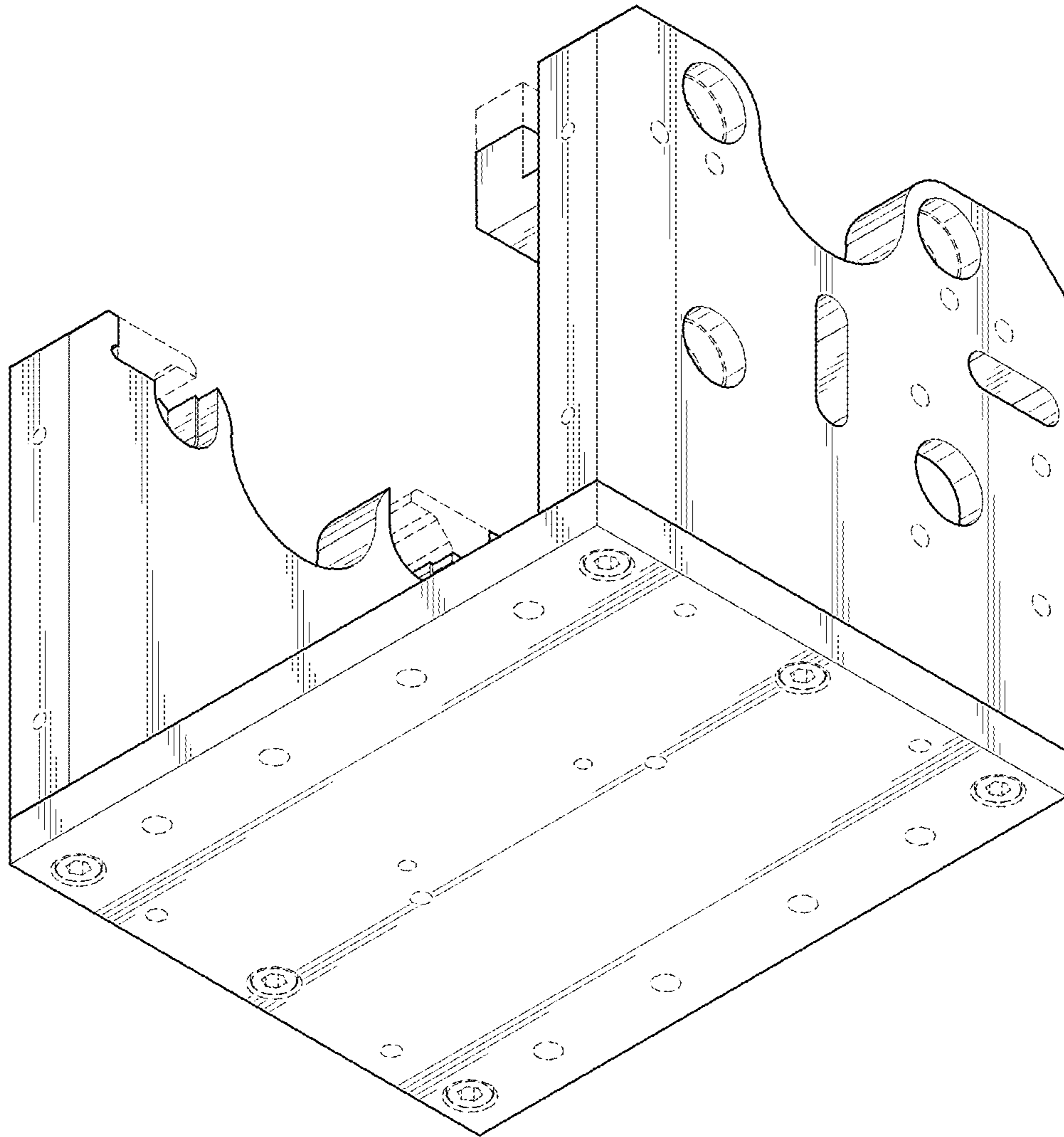


FIG. 9

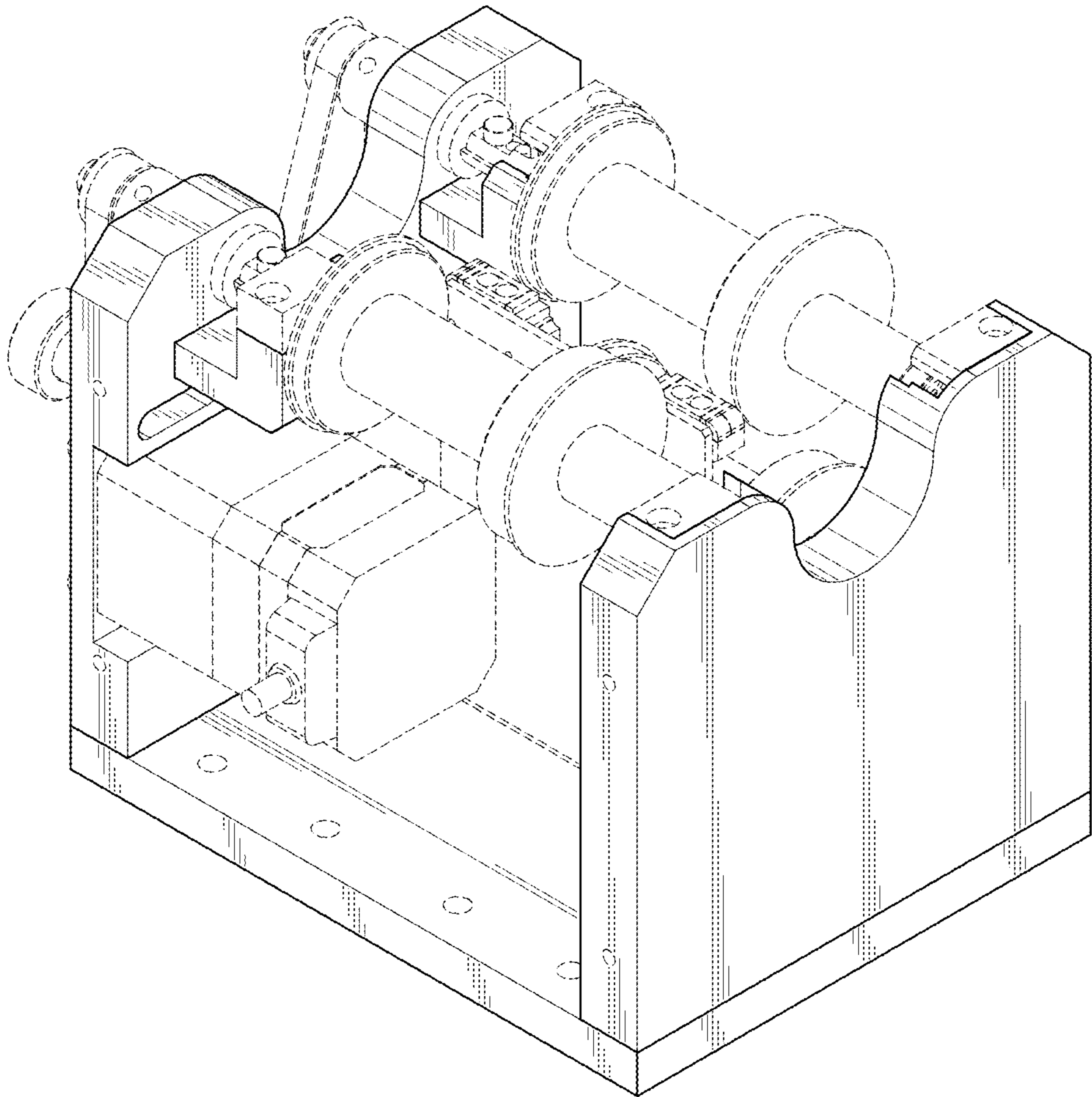


FIG. 10

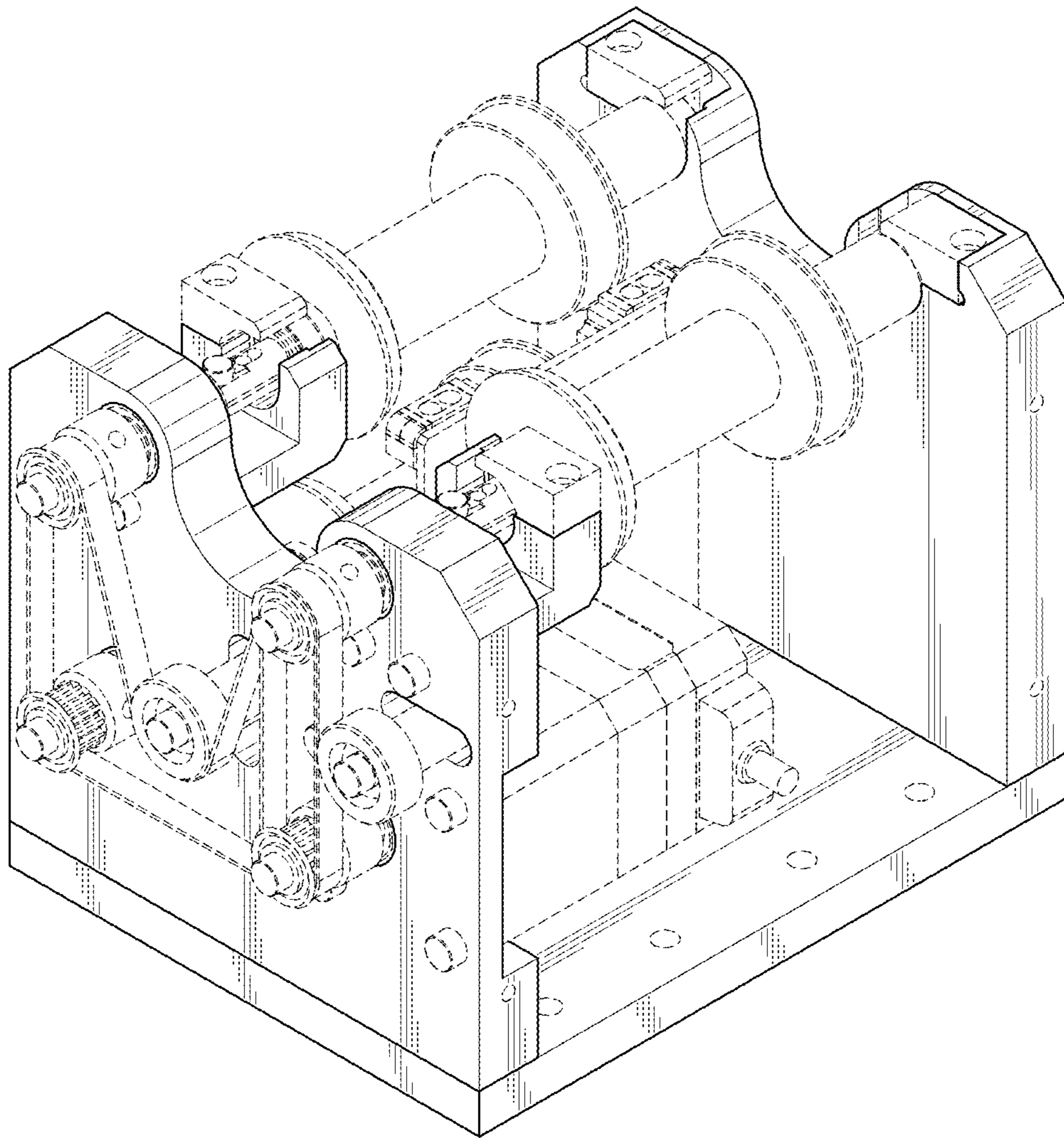


FIG. 11