



US00D984241S

(12) **United States Design Patent**  
**Mantell et al.**

(10) **Patent No.:** **US D984,241 S**  
(45) **Date of Patent:** **\*\* Apr. 25, 2023**

- (54) **LOCK BEZEL**
- (71) Applicant: **WERNER CO.**, Greenville, PA (US)
- (72) Inventors: **Ryan A. Mantell**, Woodstock, IL (US);  
**Anna McCartney**, Harwood Heights, IL (US); **Gerald A. Draffkorn**,  
Woodstock, IL (US); **Michael W. Bykowski**, Lindenhurst, IL (US)
- (73) Assignee: **WERNER CO.**, Greenville, PA (US)
- (\*\*) Term: **15 Years**
- (21) Appl. No.: **29/751,798**
- (22) Filed: **Sep. 23, 2020**
- (51) **LOC (14) Cl.** ..... **08-07**
- (52) **U.S. Cl.**  
USPC ..... **D8/343; D8/333**
- (58) **Field of Classification Search**  
USPC ..... D8/334, 333, 343, 339, 335, 330, 331,  
D8/332; D99/28, 34, 35, 36  
CPC ..... E05B 77/00; E05B 71/00; E05B 67/36;  
E05B 65/00; E05B 67/063; E05B 13/10;  
E05B 2047/0084; E05B 77/28; E05B  
37/00; E05B 2047/0068; E05B  
2047/0024; E05B 85/10; E05B 37/025;  
E05B 41/00  
See application file for complete search history.

- (56) **References Cited**  
U.S. PATENT DOCUMENTS  
3,238,600 A \* 3/1966 Milewski ..... B23B 27/1662  
408/233  
4,953,372 A \* 9/1990 Lovell ..... E05B 37/12  
70/74  
D312,769 S \* 12/1990 Bisbing ..... D8/338  
D431,998 S \* 10/2000 Johansson ..... D8/341

D471,428 S *	3/2003	Mirick	.....	D8/331
D512,627 S *	12/2005	Okada	.....	D8/343
D747,175 S *	1/2016	Linares	.....	D8/331
D770,598 S *	11/2016	Steele	.....	D23/262
9,732,894 B1 *	8/2017	Hartman	.....	F16L 37/20
D911,810 S *	3/2021	Koblich	.....	D8/330
D911,813 S *	3/2021	Pyle	.....	D8/343
D918,013 S *	5/2021	Yang	.....	D8/333
D948,714 S *	4/2022	Dadachanji	.....	D24/129
2009/0071209 A1 *	3/2009	Lurie	.....	E05B 17/04 70/391
2011/0149552 A1 *	6/2011	Atalay	.....	F24C 15/008 362/92
2014/0290495 A1 *	10/2014	Perentes	.....	A47J 31/22 99/302 C
2020/0130724 A1 *	4/2020	Vizier	.....	B62D 3/12
2022/0025676 A1 *	1/2022	Snodgrass	.....	E05B 9/086

\* cited by examiner

*Primary Examiner* — Eliza Z Harvey  
*Assistant Examiner* — Kayla Marie Bennett  
 (74) *Attorney, Agent, or Firm* — McDonnell Boehnen  
 Hulbert & Berghoff LLP

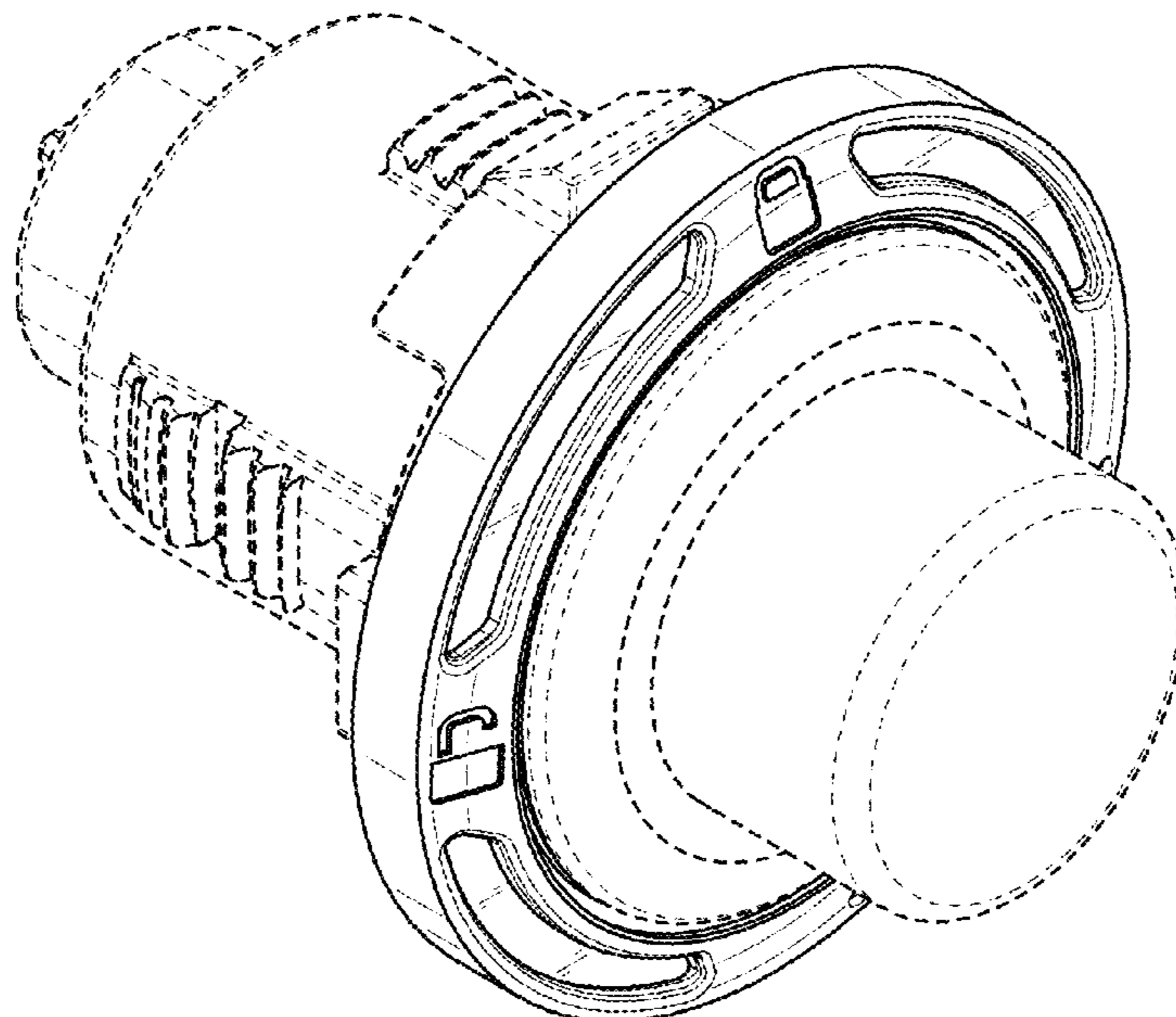
(57) **CLAIM**

The ornamental design for a lock bezel, as shown and described.

**DESCRIPTION**

FIG. 1 is a lock bezel in a perspective view;  
 FIG. 2 is a front view thereof;  
 FIG. 3 is a rear view thereof;  
 FIG. 4 is a left side view thereof;  
 FIG. 5 is a right side view thereof;  
 FIG. 6 is a top view thereof; and,  
 FIG. 7 is a bottom view thereof.  
 In the drawings, the broken lines illustrate portions of the lock bezel that form no part of the claimed design.

**1 Claim, 7 Drawing Sheets**



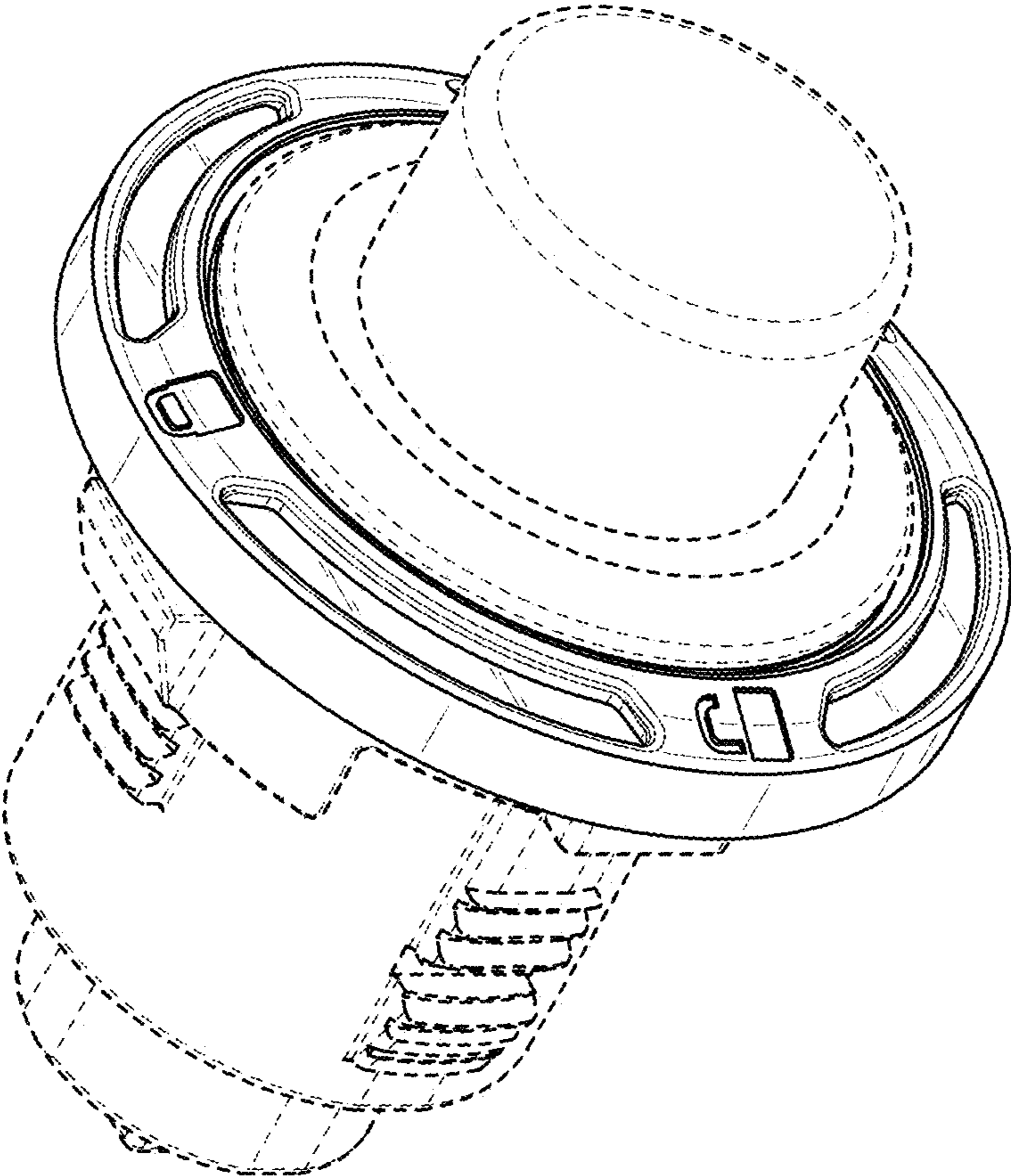


FIG. 1

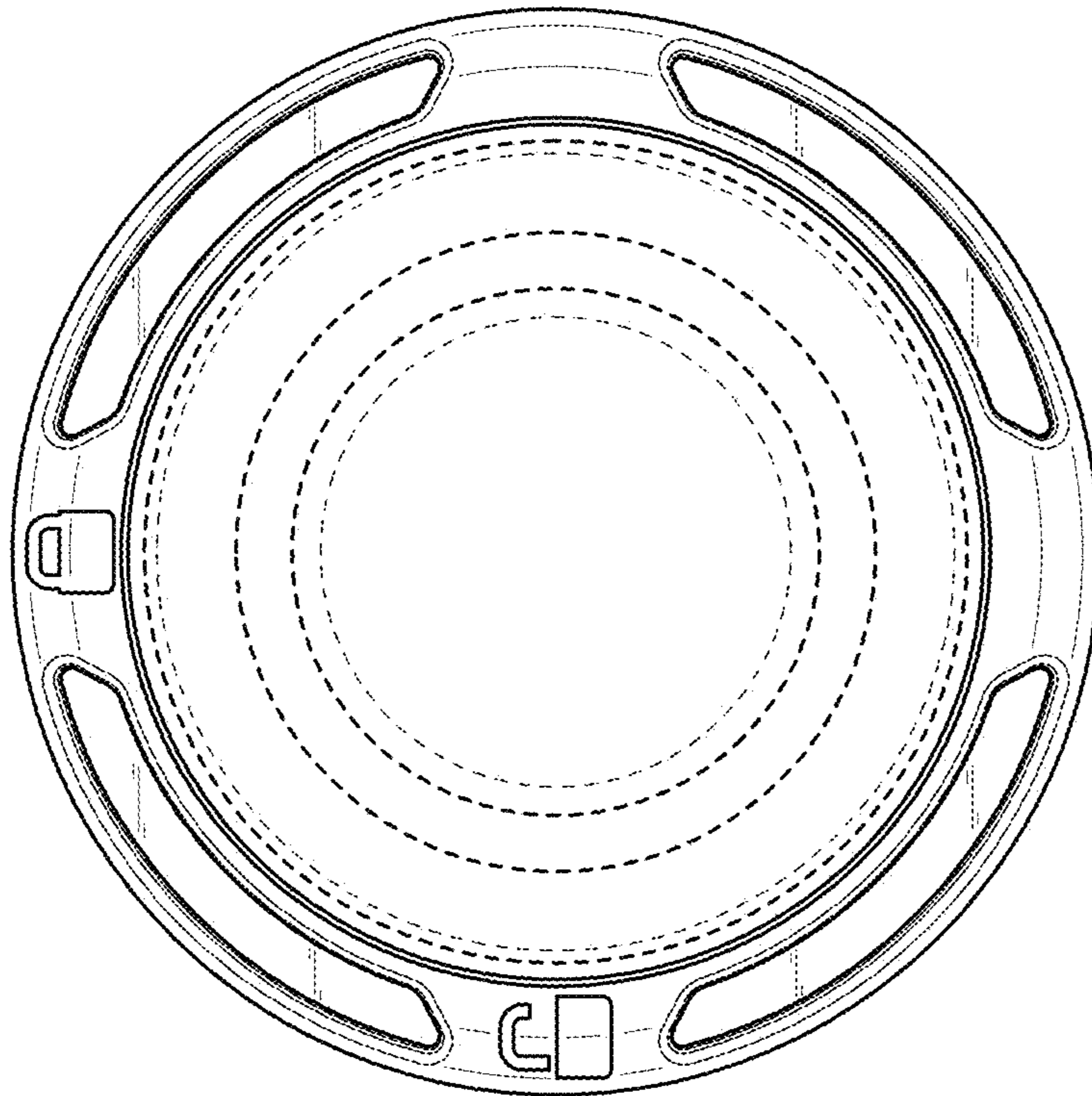


FIG. 2

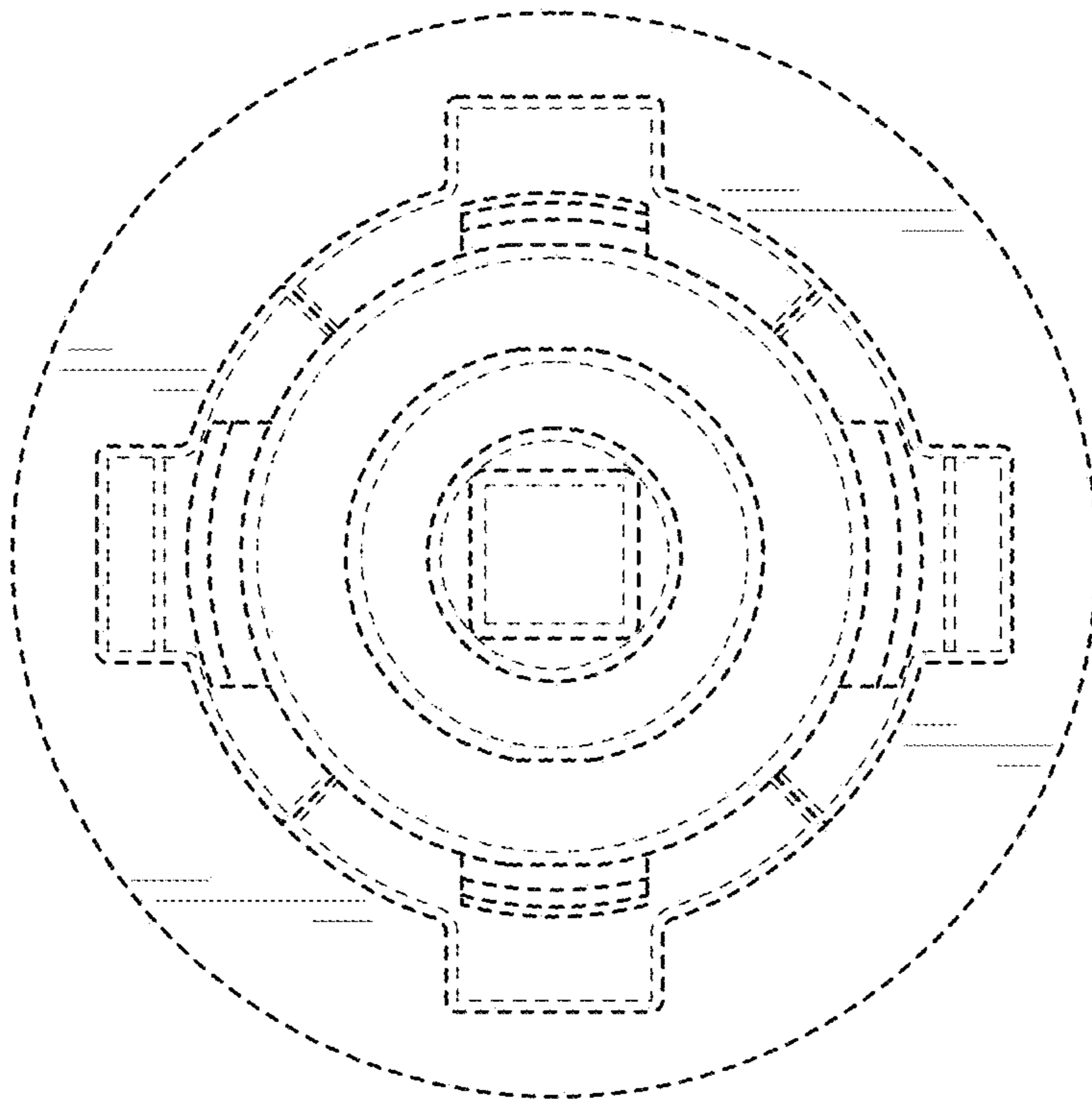


FIG. 3

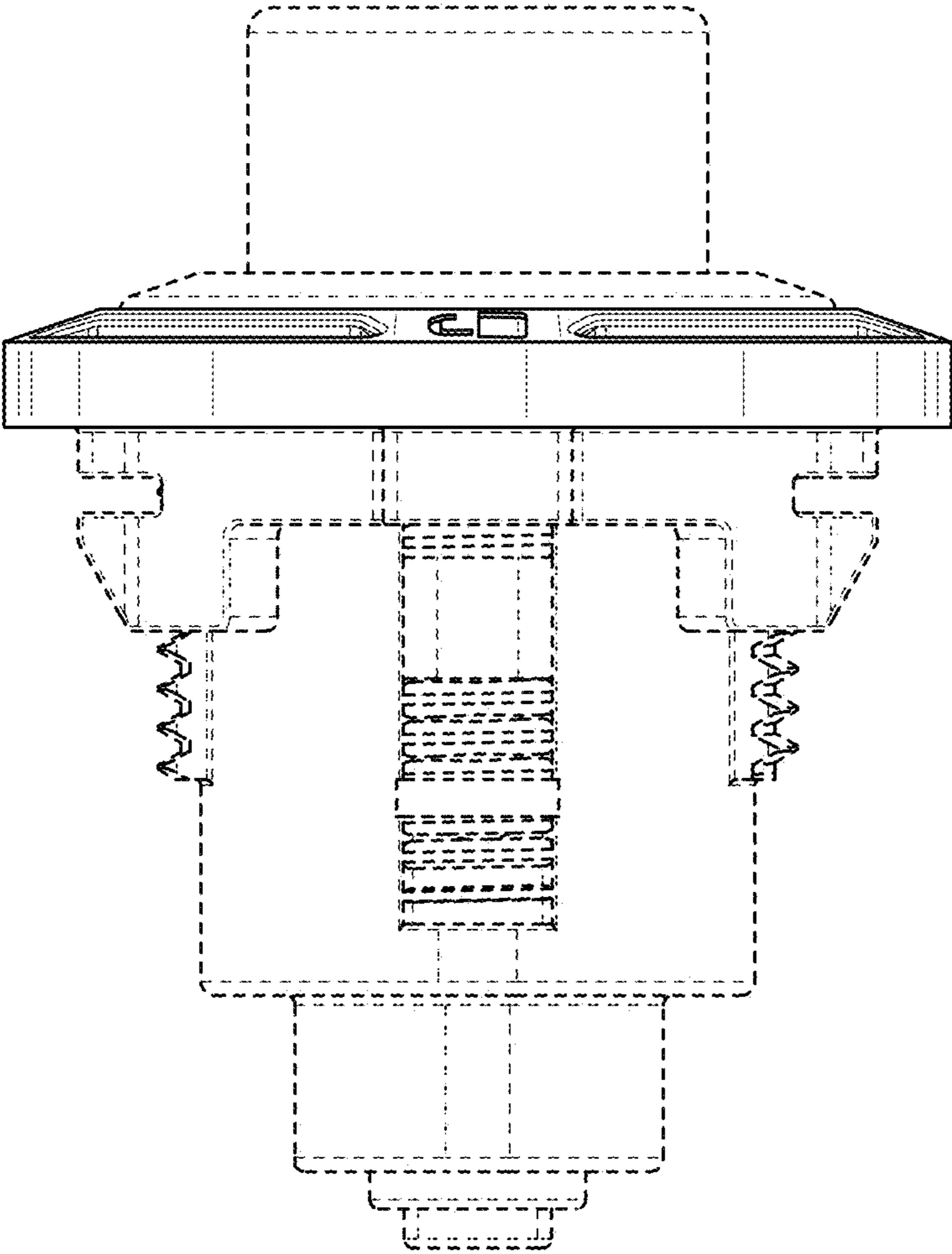


FIG. 4

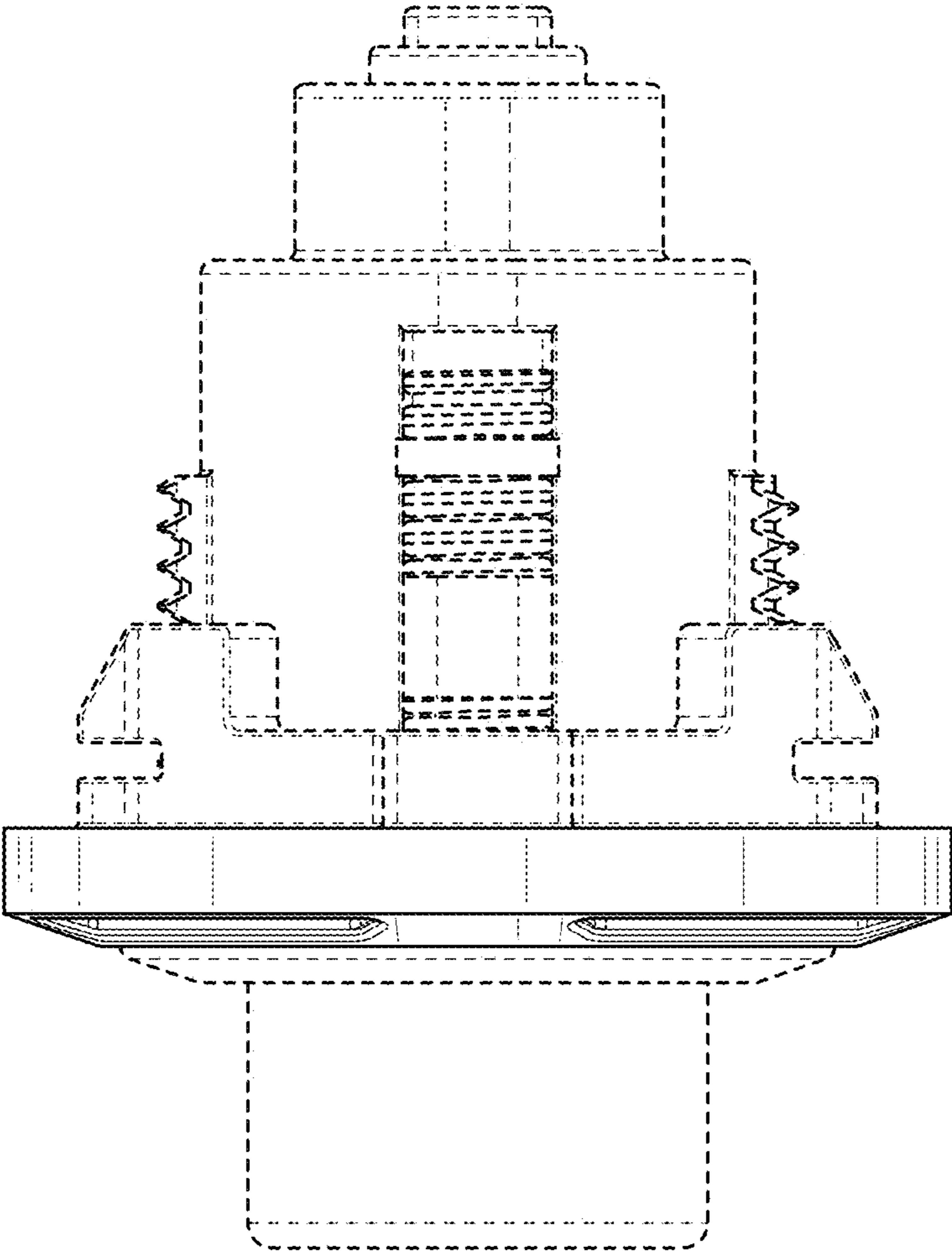


FIG. 5

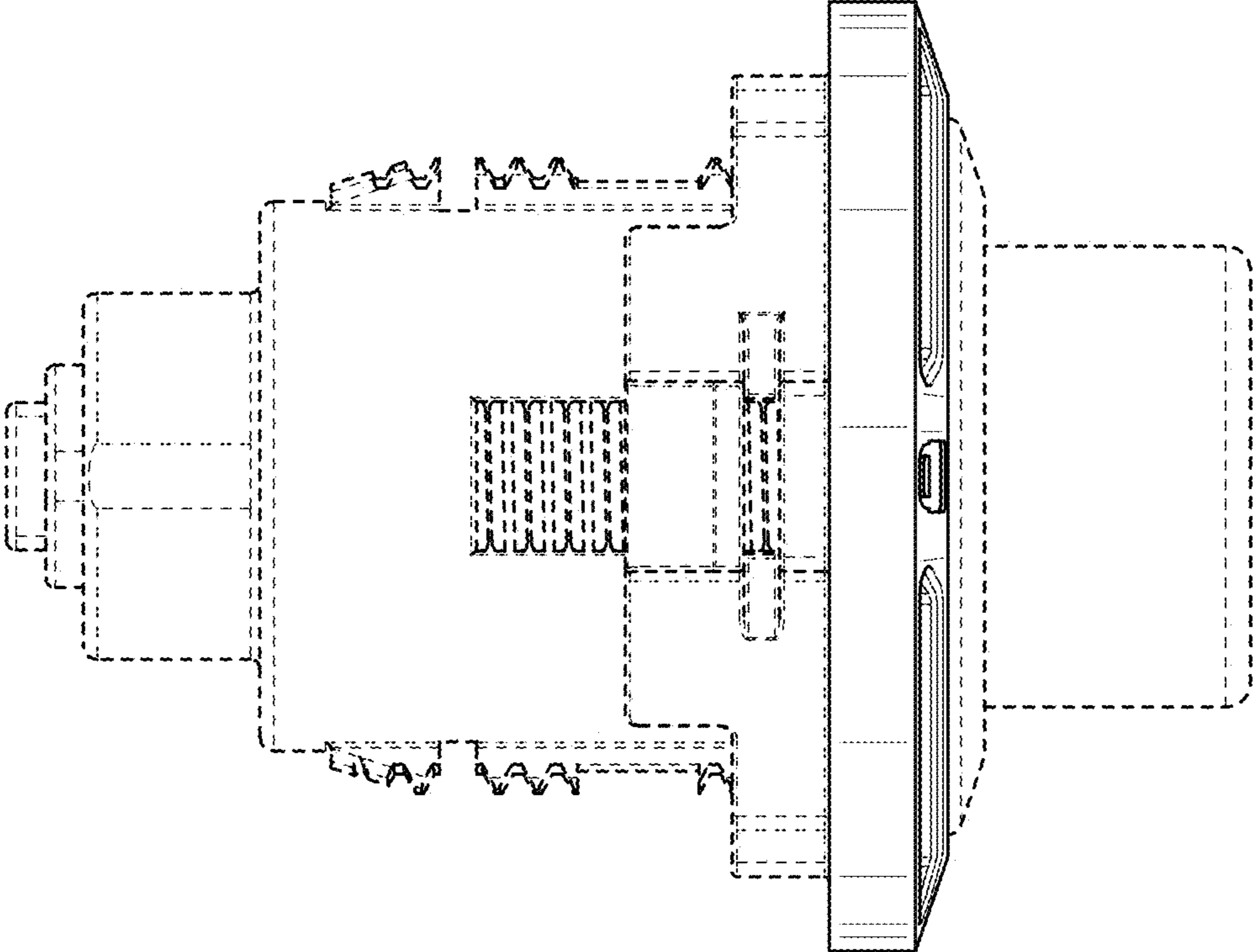


FIG. 6

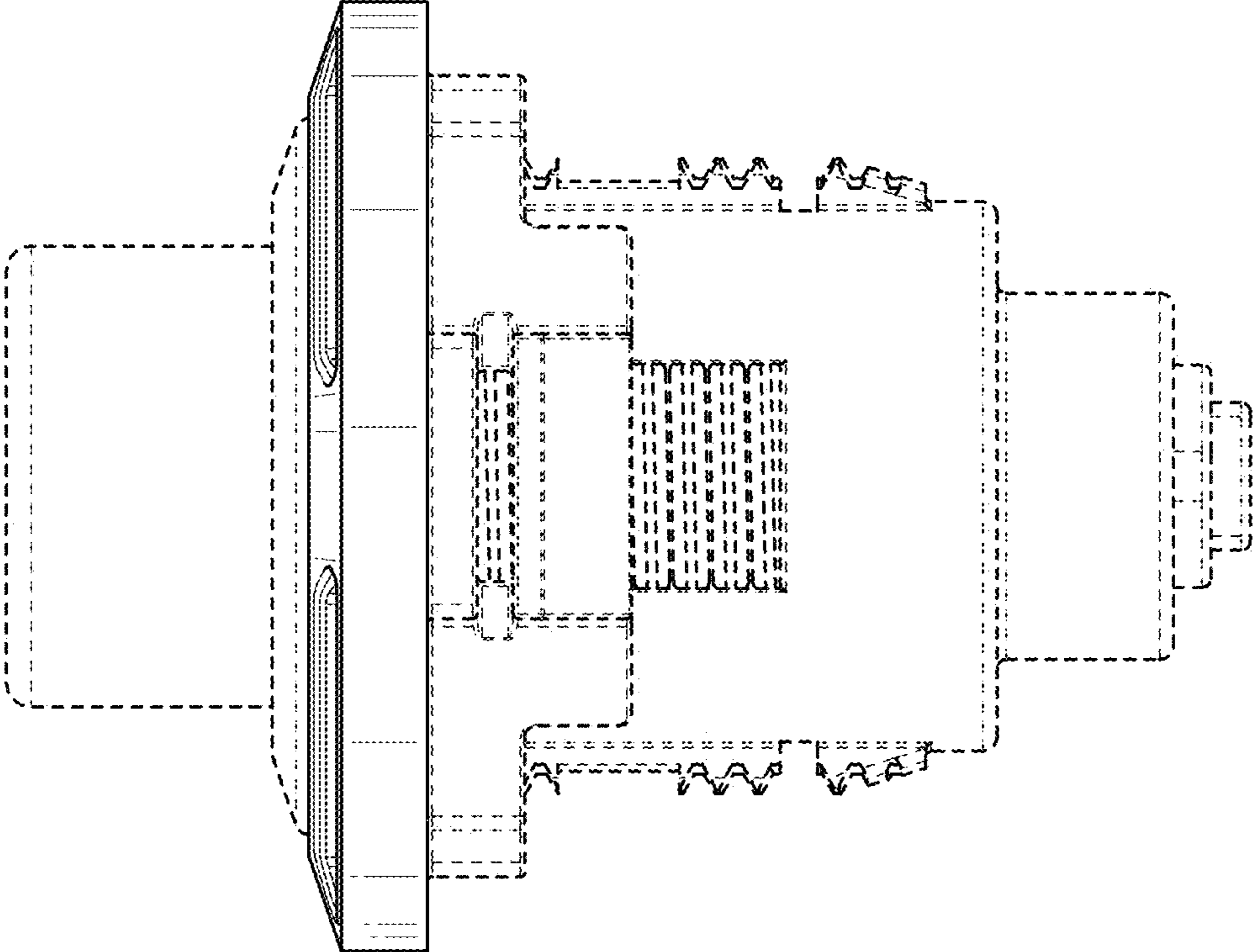


FIG. 7