



US00D984239S

(12) **United States Design Patent**
Cosby et al.

(10) **Patent No.:** **US D984,239 S**
(45) **Date of Patent:** **** Apr. 25, 2023**

(54) **LATCH ASSEMBLY**

(71) Applicant: **D & D Group Pty Ltd**, Frenchs Forest (AU)

(72) Inventors: **Scott Anthony Cosby**, Narraweena (AU); **James Scarlett**, Springwood (AU); **Tom Wilson**, Manly (AU)

(73) Assignee: **D & D Group Pty Ltd**, Frenchs Forest (AU)

(**) Term: **15 Years**

(21) Appl. No.: **29/749,964**

(22) Filed: **Sep. 10, 2020**

(30) **Foreign Application Priority Data**

Sep. 1, 2020 (AU) 202014773

(51) **LOC (14) Cl.** **08-07**

(52) **U.S. Cl.**
USPC **D8/331**

(58) **Field of Classification Search**
USPC D8/302, 308, 331, 336, 338-339, 341, D8/397-399; D23/262, 265
(Continued)

(56) **References Cited**

U.S. PATENT DOCUMENTS

6,058,747 A * 5/2000 Doyle E05B 13/105
292/135
D439,497 S * 3/2001 Clark D8/331
(Continued)

OTHER PUBLICATIONS

“National Hardware LokkLatch Automatic Keyed Gate Lock”, Nov. 10, 2016, Amazon.com, site visited Jun. 1, 2022: <https://www.amazon.com/National-Hardware-N346-201-V6201-LokkLatch/dp/B01N030SXM> (Year: 2016).*

amazon.com/National-Hardware-N346-201-V6201-LokkLatch/dp/B01N030SXM (Year: 2016).*

(Continued)

Primary Examiner — Jack Reickel

Assistant Examiner — Michael A Kervin

(74) *Attorney, Agent, or Firm* — Kelly & Kelley, LLP

(57) **CLAIM**

The ornamental design for a latch assembly, as shown and described.

DESCRIPTION

FIG. 1 is a perspective view of a latch assembly, according to a first embodiment;

FIG. 2 is a front view of the latch assembly of FIG. 1;

FIG. 3 is a side view of the latch assembly of FIG. 1;

FIG. 4 is an opposite side view of the latch assembly of FIG. 1;

FIG. 5 is a top view of the latch assembly of FIG. 1;

FIG. 6 is a bottom view of the latch assembly of FIG. 1;

FIG. 7 is a perspective view of a latch assembly, according to a second embodiment;

FIG. 8 is a front view of the latch assembly of FIG. 7;

FIG. 9 is a side view of the latch assembly of FIG. 7;

FIG. 10 is an opposite side view of the latch assembly of FIG. 7;

FIG. 11 is a top view of the latch assembly of FIG. 7;

FIG. 12 is a bottom view of the latch assembly of FIG. 7;

FIG. 13 is a perspective view of a latch assembly, according to a third embodiment;

FIG. 14 is a front view of the latch assembly of FIG. 13;

FIG. 15 is a side view of the latch assembly of FIG. 13;

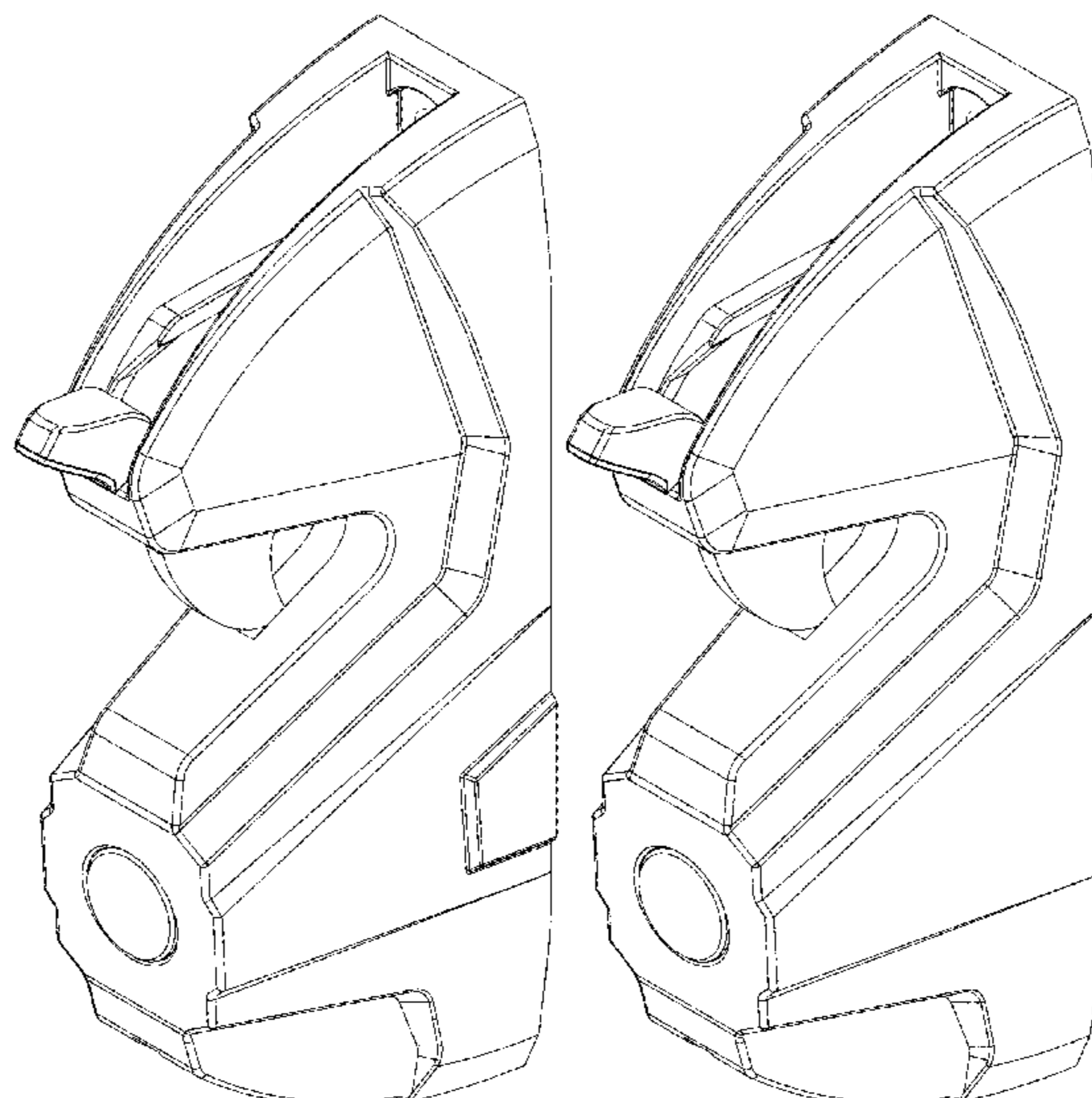
FIG. 16 is an opposite side view of the latch assembly of FIG. 13;

FIG. 17 is a top view of the latch assembly of FIG. 13; and,

FIG. 18 is a bottom view of the latch assembly of FIG. 13.

The broken line showing of a latch assembly is for the purpose of illustrating portions of the article and forms no part of the claimed design.

1 Claim, 15 Drawing Sheets



(58) **Field of Classification Search**
 CPC E05B 65/0007; E05B 15/0093
 See application file for complete search history.

(56) **References Cited**

U.S. PATENT DOCUMENTS

6,347,819 B1 * 2/2002 Plaxco E05B 65/0007
 292/228
 7,021,678 B1 * 4/2006 Raoult A01K 1/0017
 292/341.15
 7,201,030 B2 * 4/2007 Timothy E05B 65/0007
 70/135
 D556,539 S * 12/2007 Kiraly D8/331
 D569,707 S * 5/2008 Antkowiak D8/331
 D571,634 S * 6/2008 Antkowiak D8/331
 D601,403 S * 10/2009 Cosby D8/339
 D605,493 S * 12/2009 Tejszerski D8/339
 8,127,578 B2 * 3/2012 Karcz E05B 65/0007
 292/216
 8,308,205 B2 * 11/2012 Tejszerski E05C 3/145
 292/237
 8,636,308 B2 * 1/2014 Calamia, III E05C 3/24
 292/225

8,966,947 B2 * 3/2015 Karcz E05B 57/00
 292/216
 9,476,228 B2 * 10/2016 Karcz E05C 3/24
 10,000,944 B2 * 6/2018 Cavallaro, Jr. E05C 3/12
 10,082,544 B2 * 9/2018 Smith E05C 19/168
 D914,479 S * 3/2021 Scarlett D8/331
 11,346,130 B1 * 5/2022 Timothy E05C 3/006
 2006/0101876 A1 * 5/2006 Timothy E05B 65/0007
 70/101
 2007/0175250 A1 * 8/2007 Karcz E05C 3/30
 70/101
 2010/0033279 A1 * 2/2010 Clark H01F 7/0252
 335/285
 2010/0045055 A1 * 2/2010 Taglianetti E05B 1/0015
 292/341.15
 2010/0123321 A1 * 5/2010 Timothy E05C 3/30
 70/91

OTHER PUBLICATIONS

“D&D Technologies LL3PWA LOKKLatch Plus”, Jul. 31, 2019, Amazon.com, site visited Jun. 1, 2022: <https://www.amazon.com/Technologies-LOKKLATCH-Adjustable-Vertical-Horizontal/dp/B07VWL4PTY> (Year: 2019).*

* cited by examiner

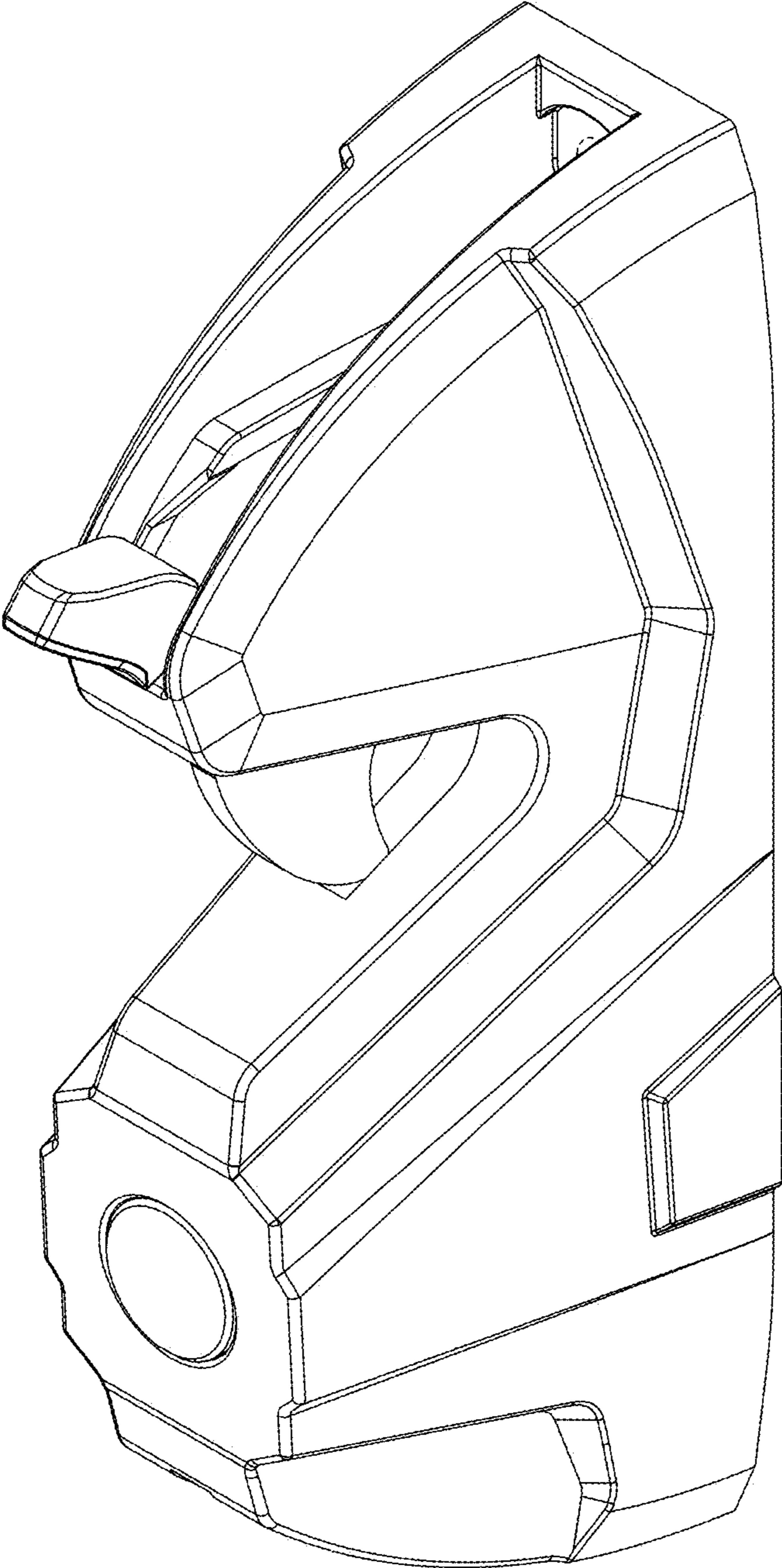


Fig. 1

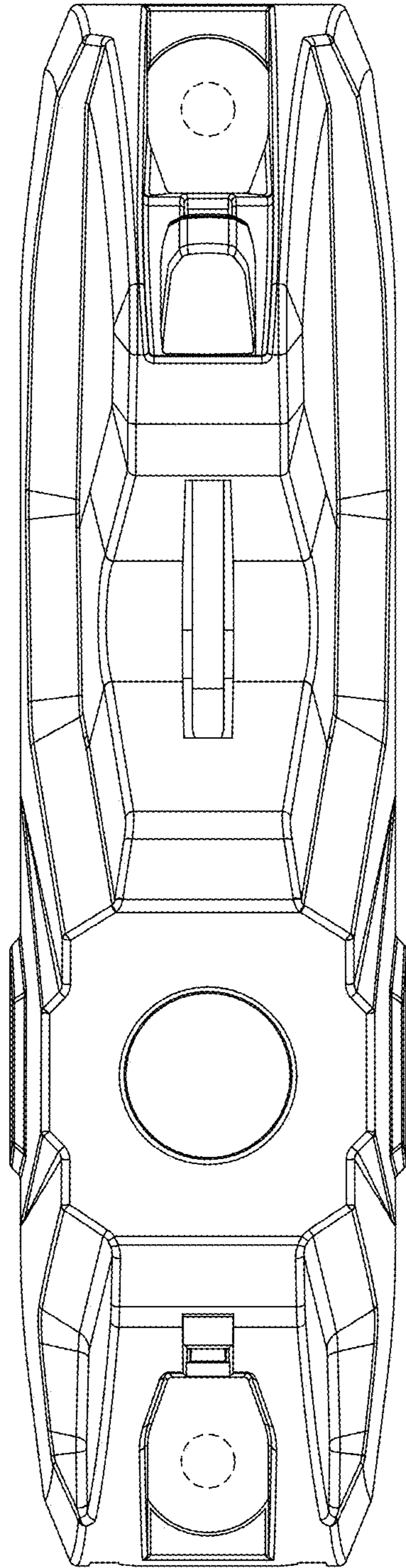


Fig. 2

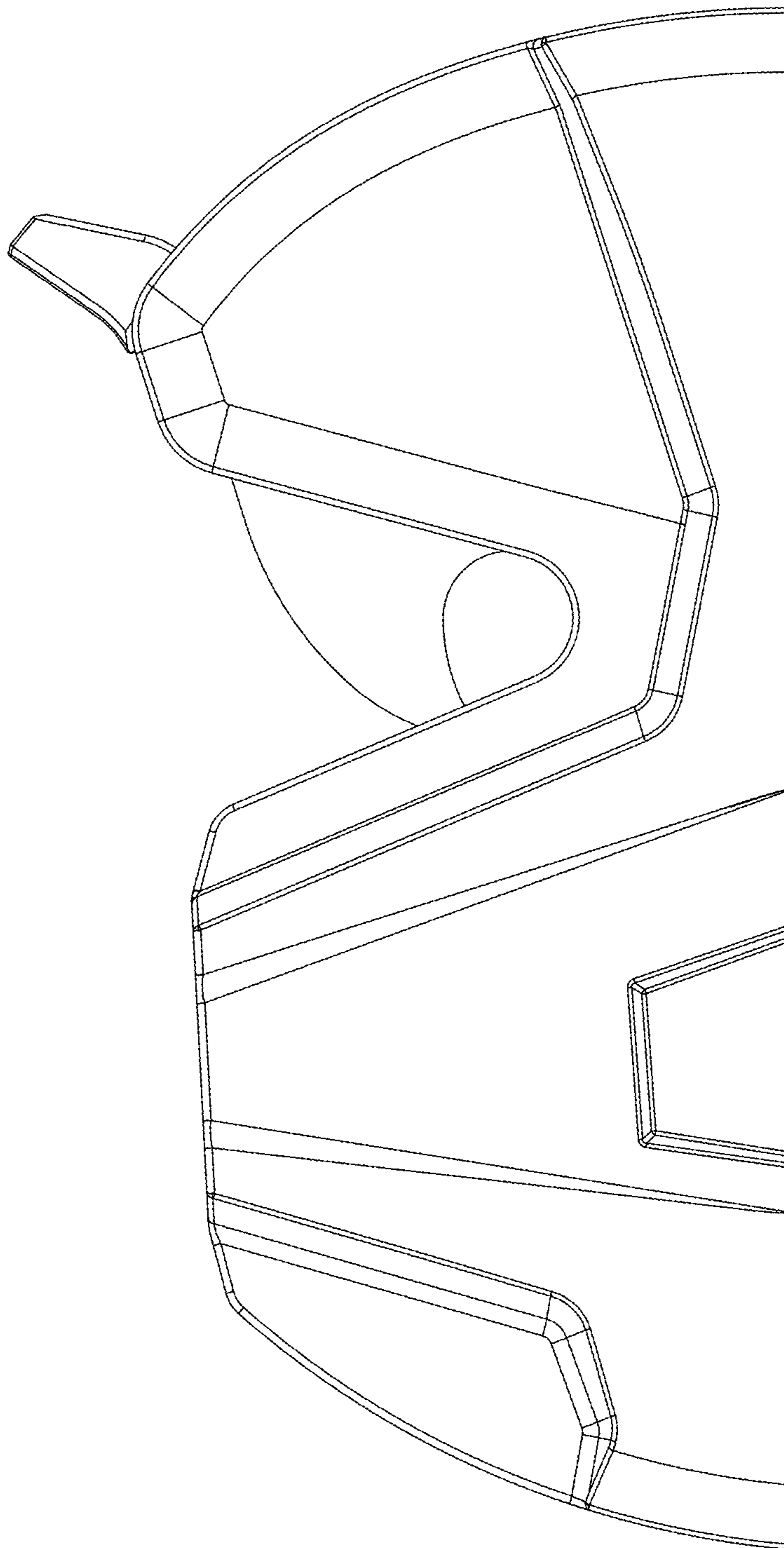


Fig. 3

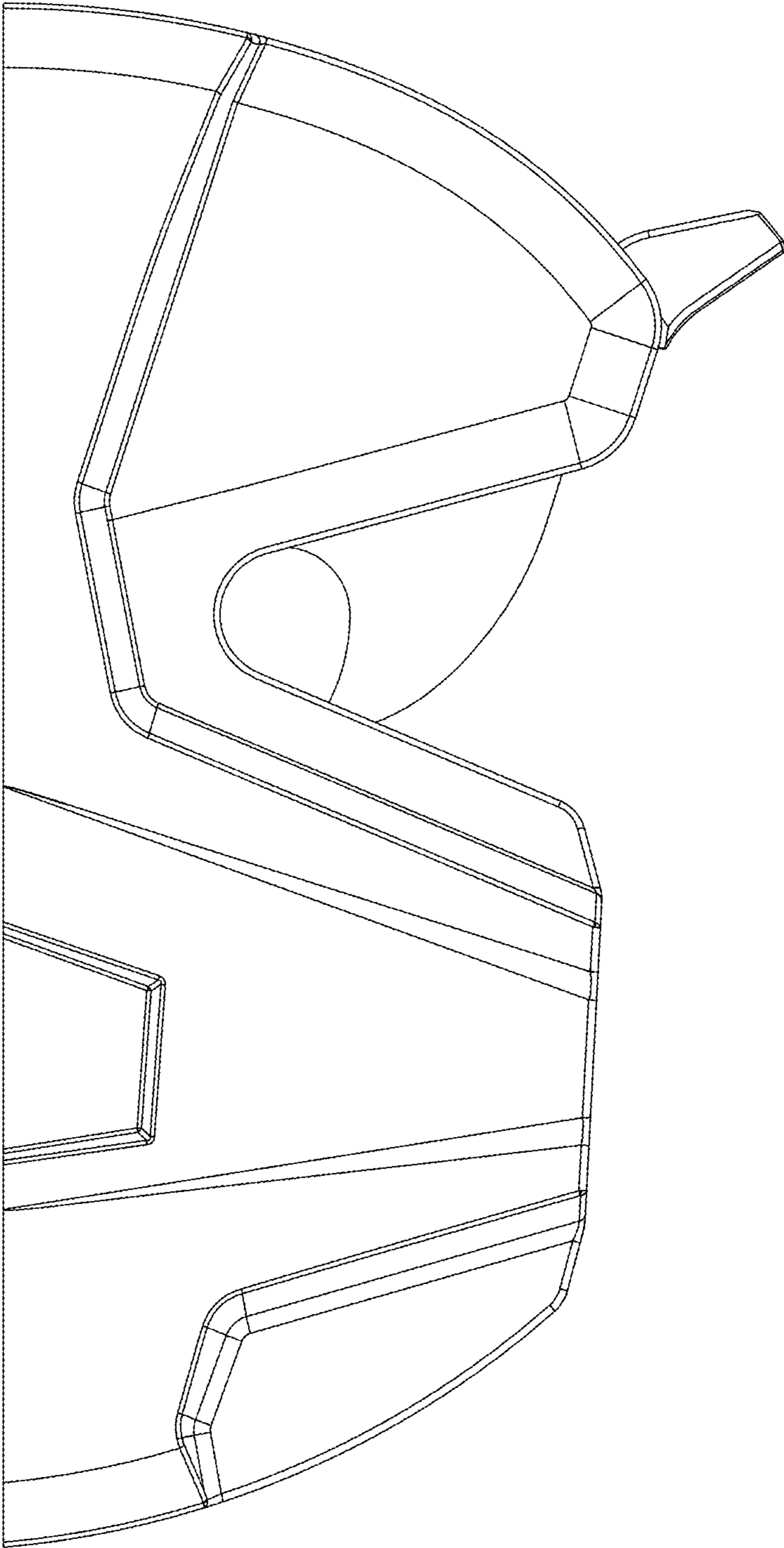


Fig. 4

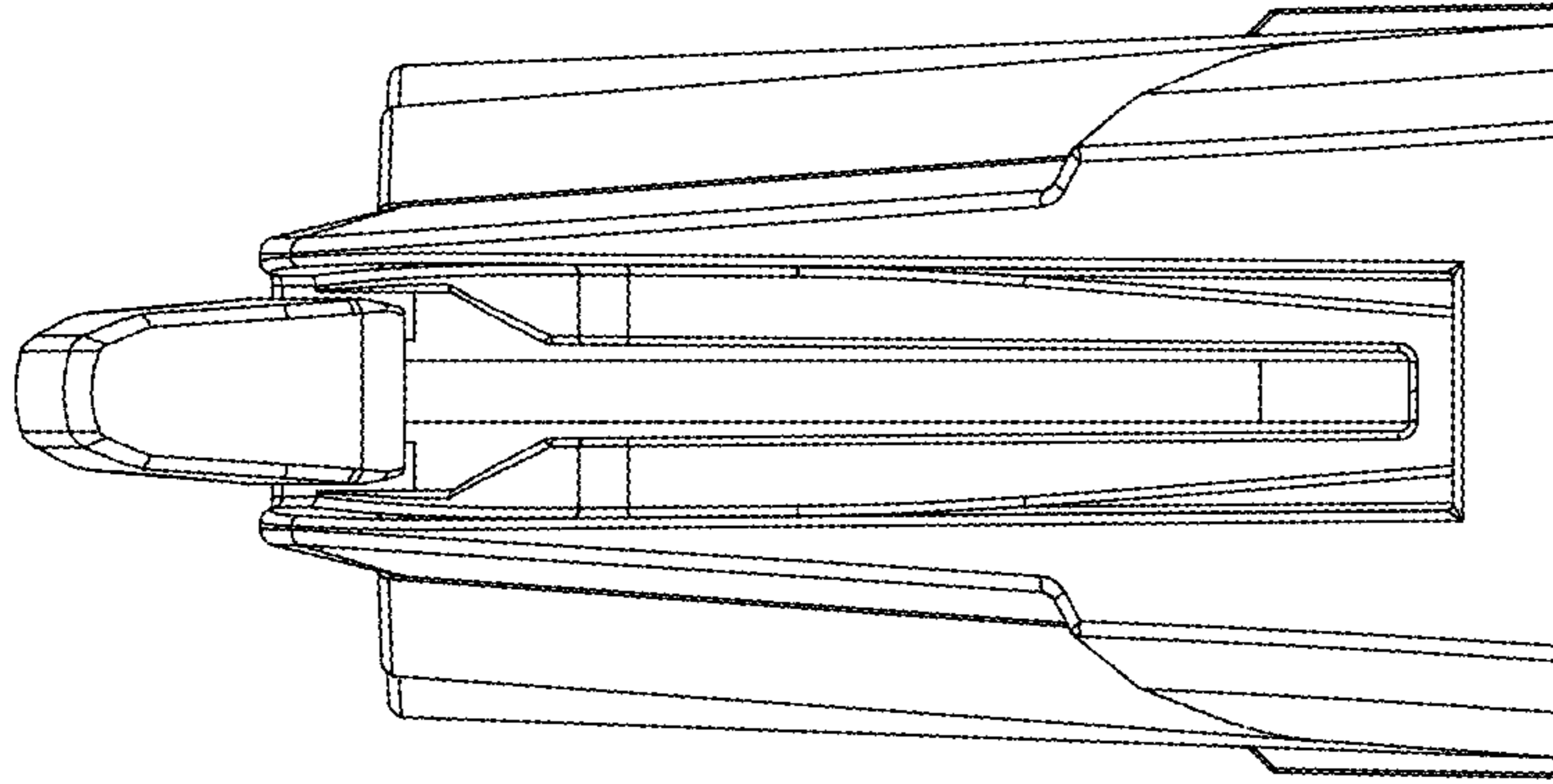


Fig. 5

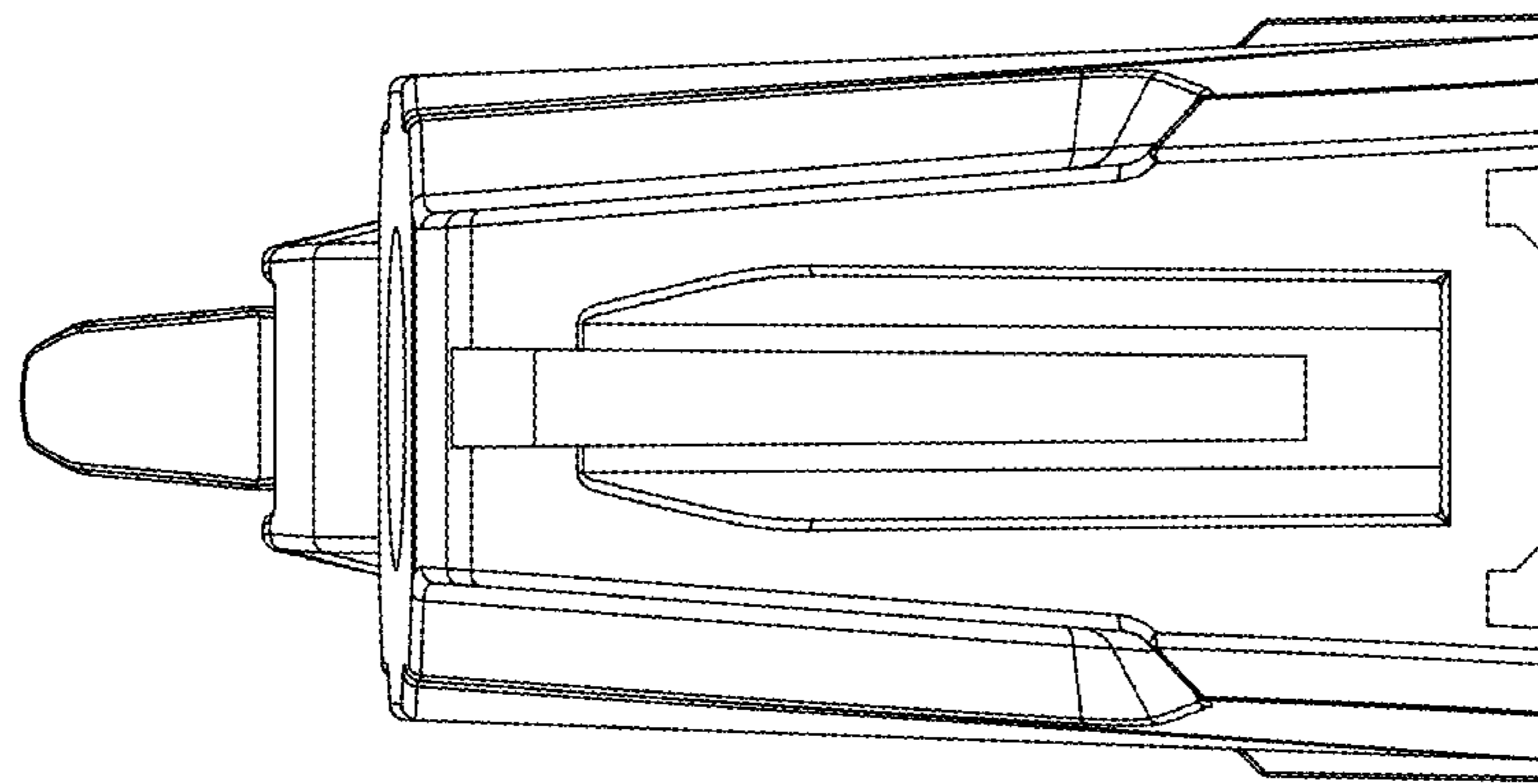


Fig. 6

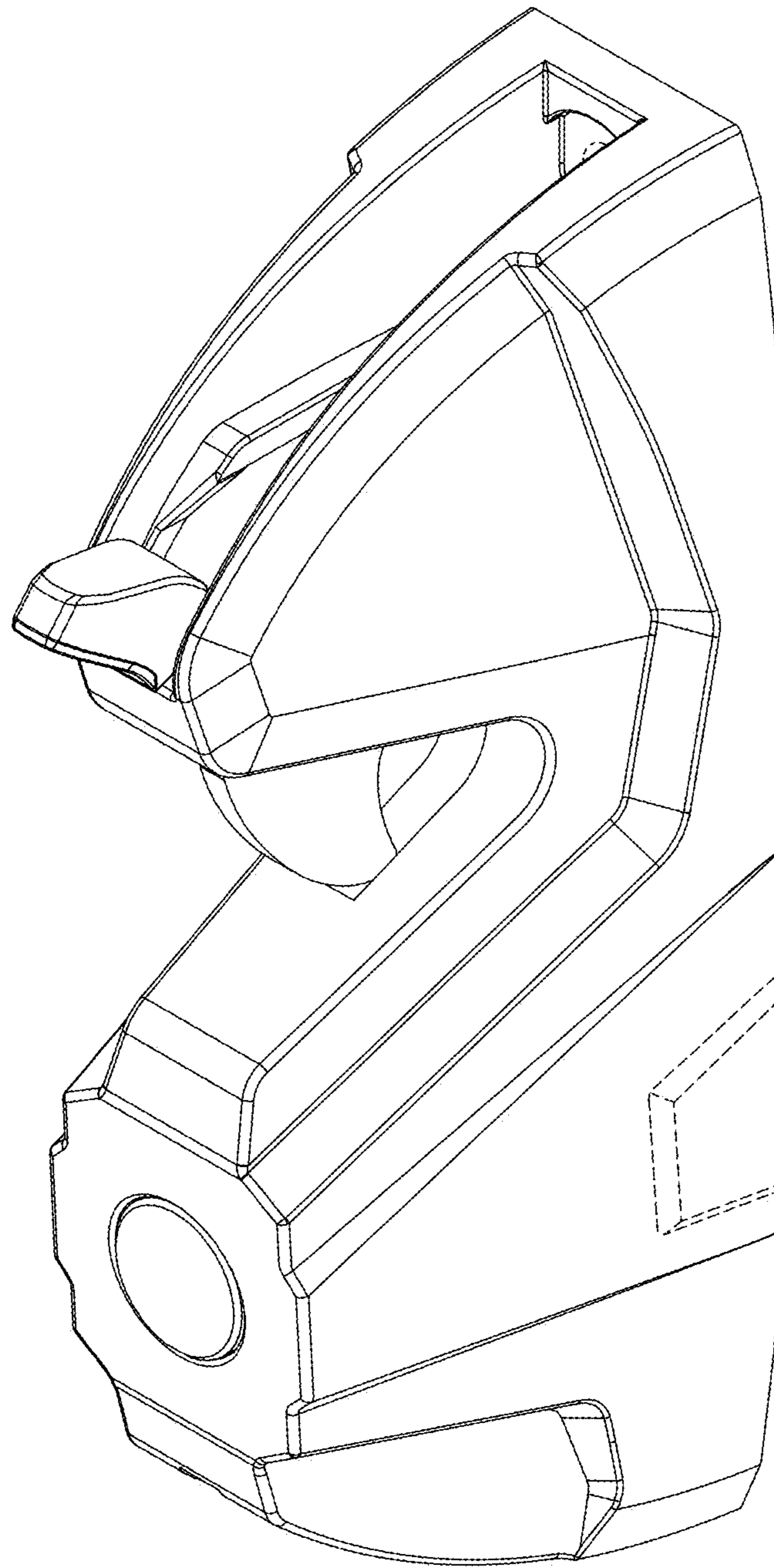


Fig. 7

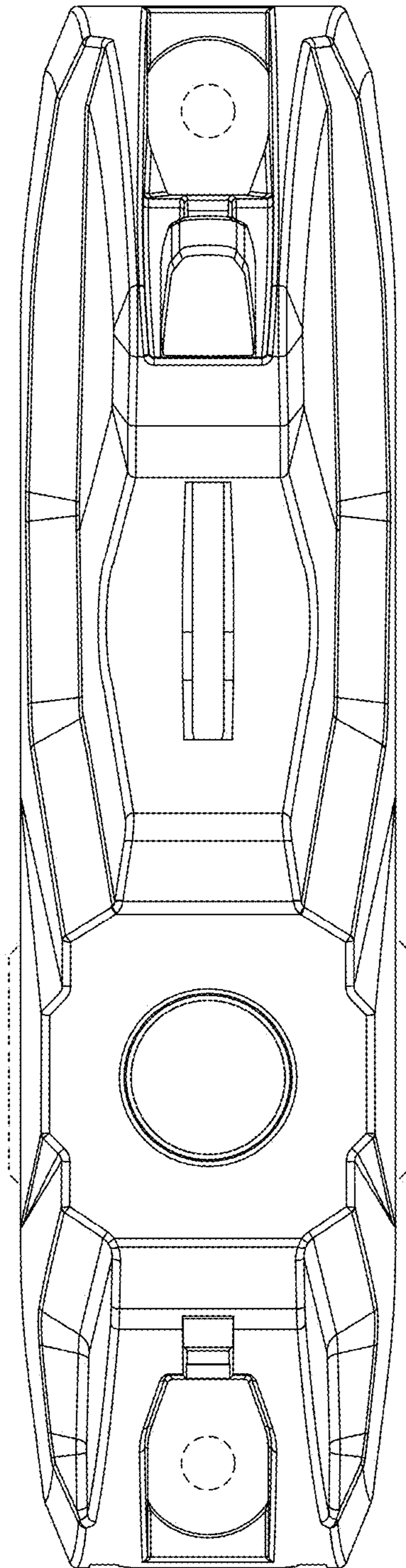


Fig. 8

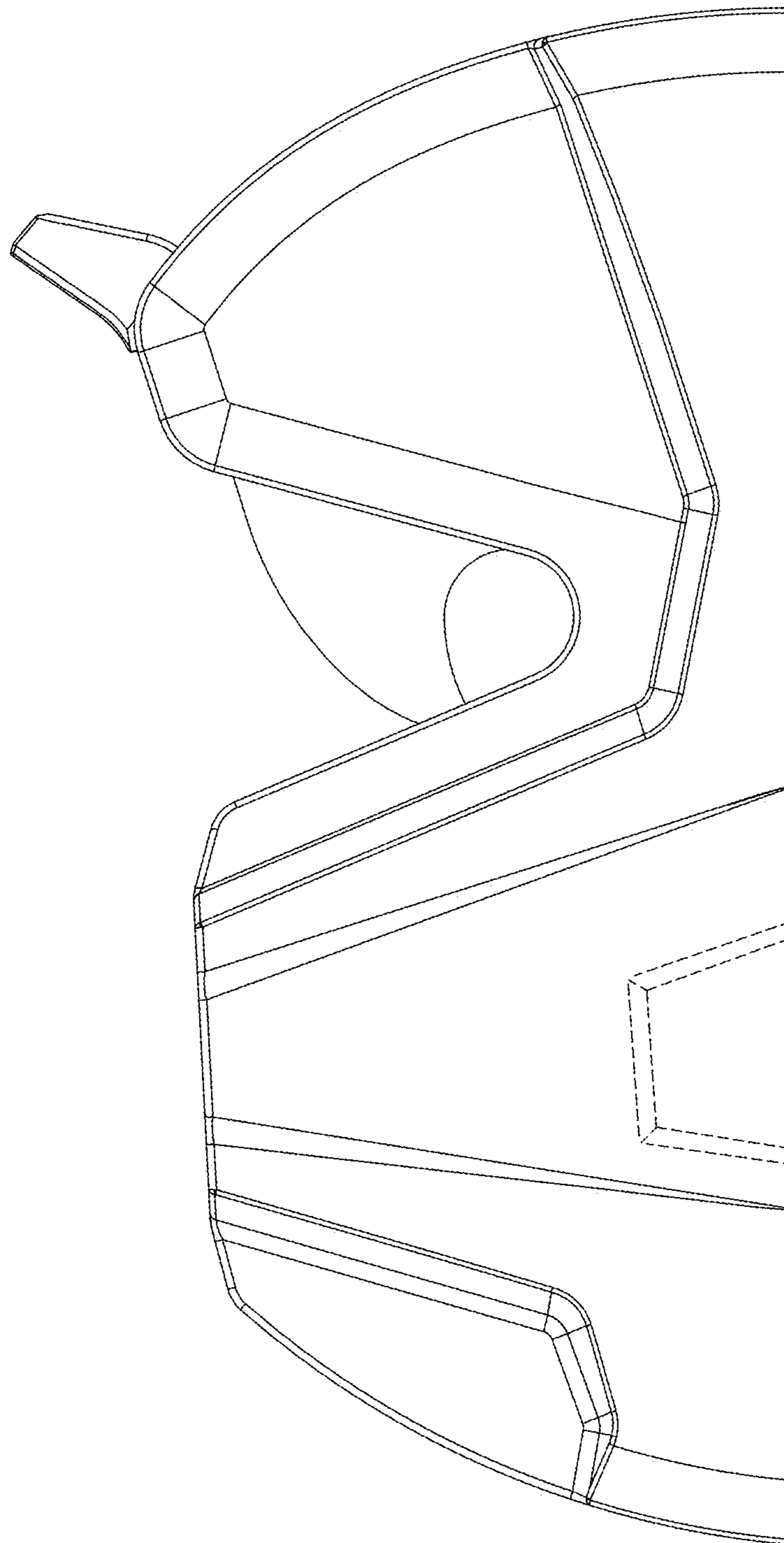


Fig. 9

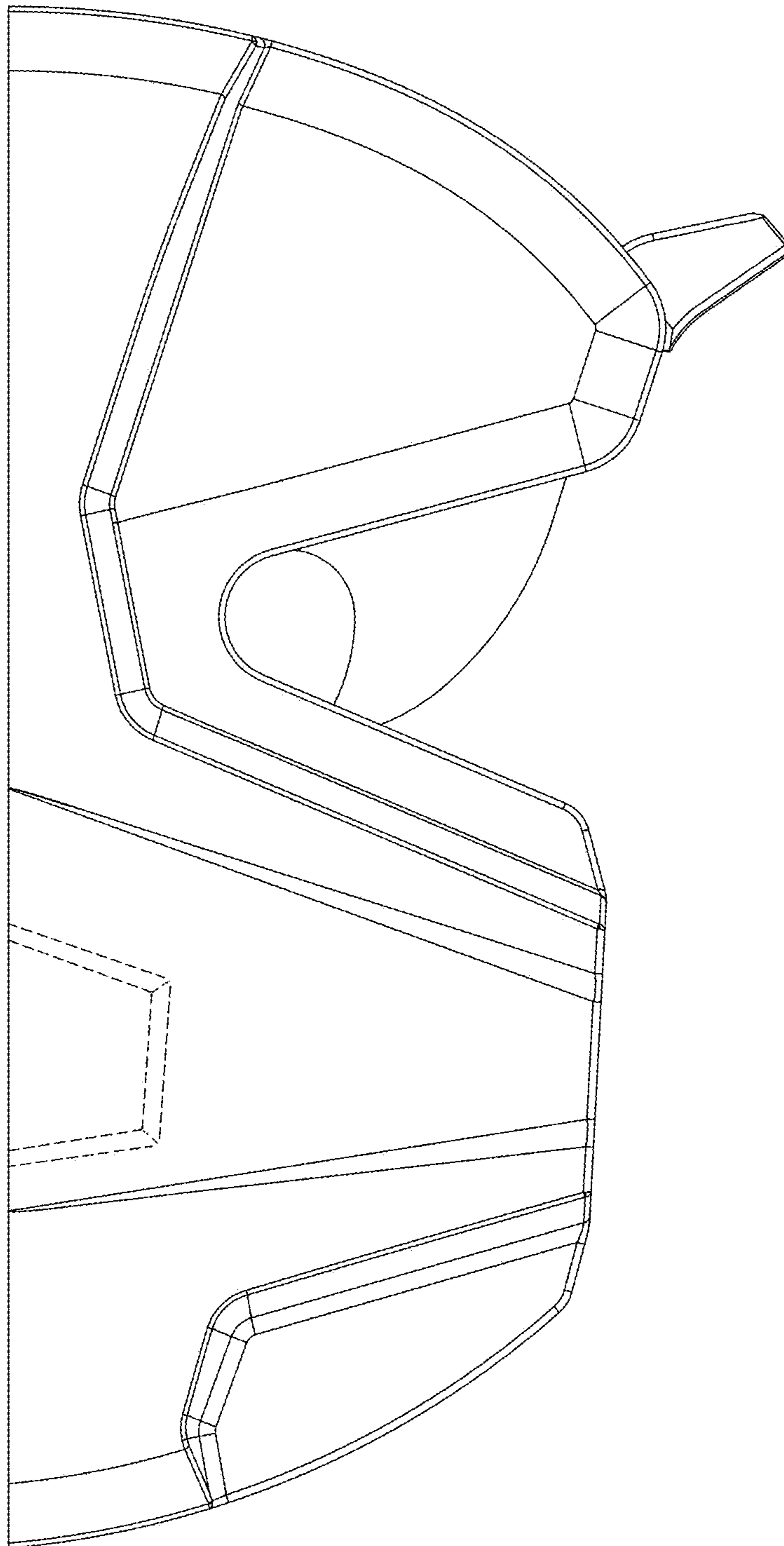


Fig. 10

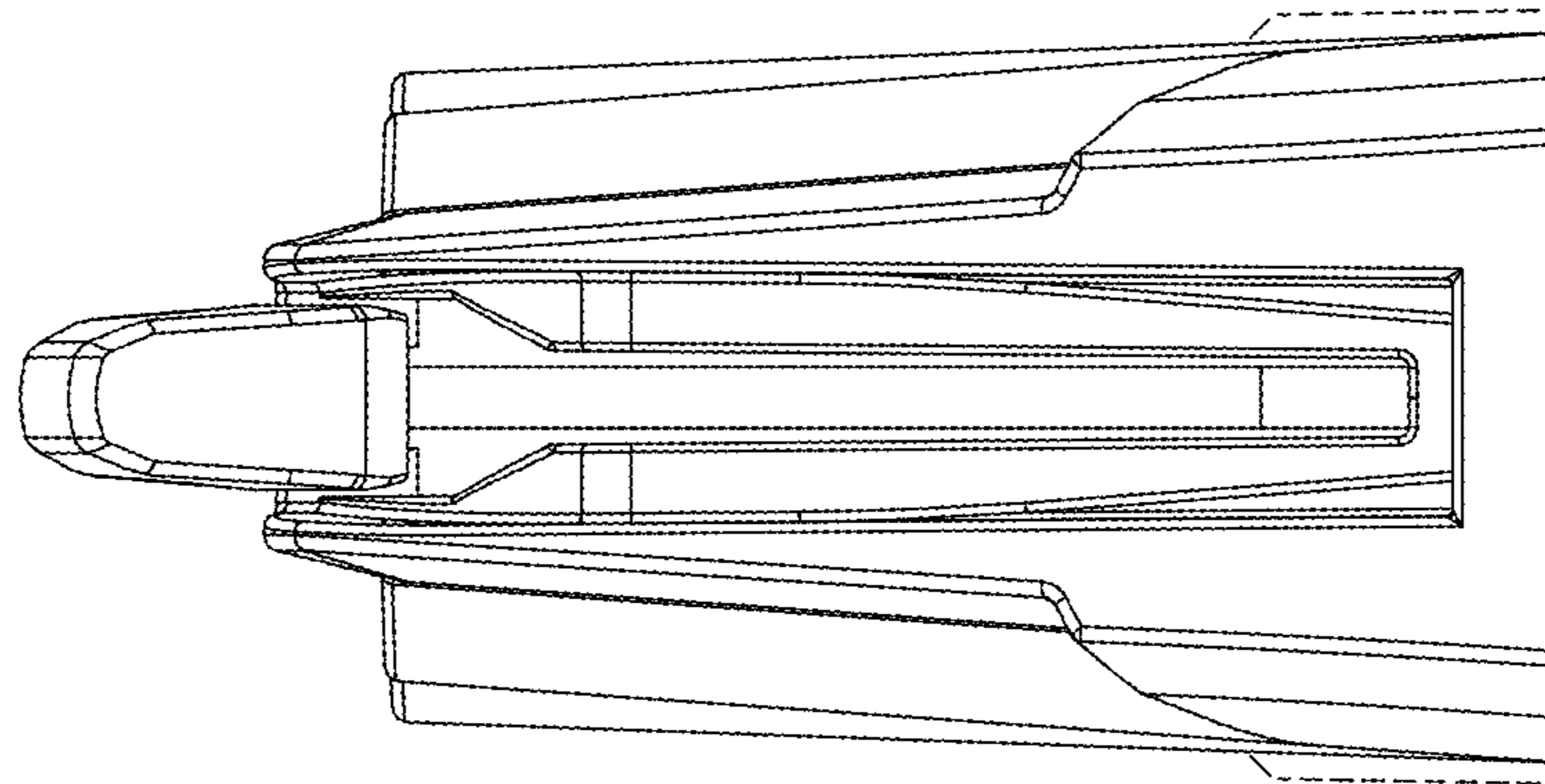


Fig. 11

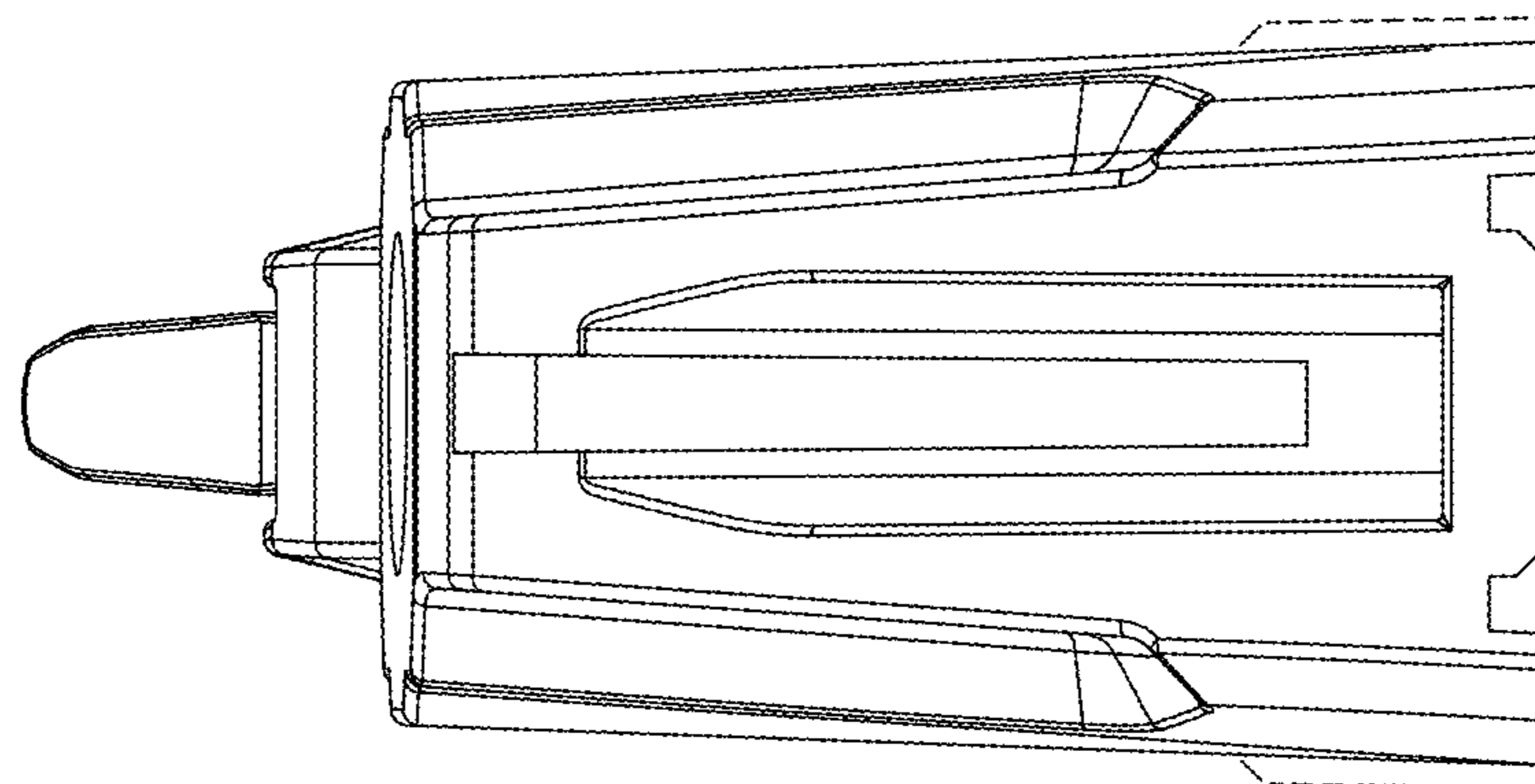


Fig. 12

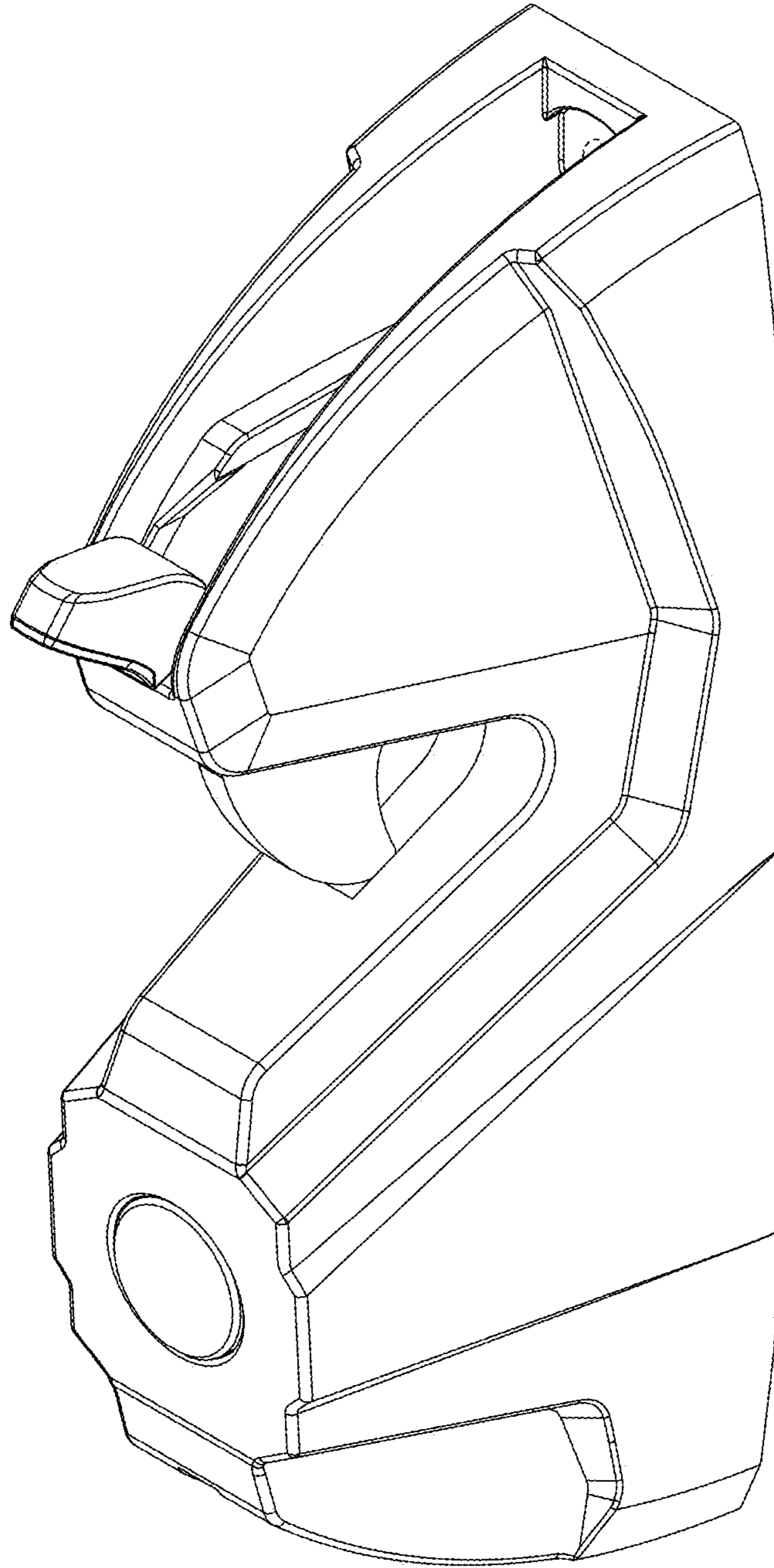


Fig. 13

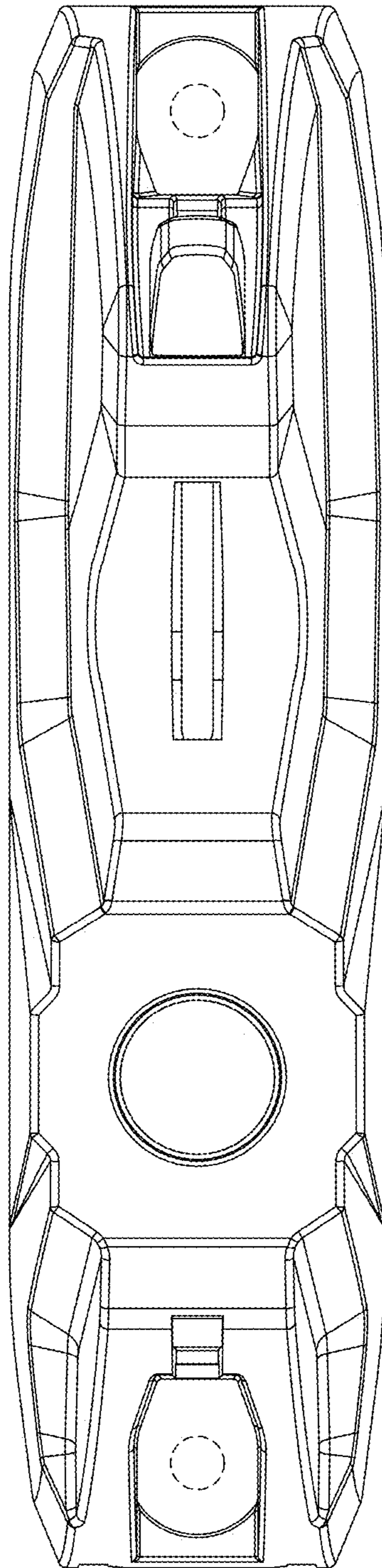


Fig. 14

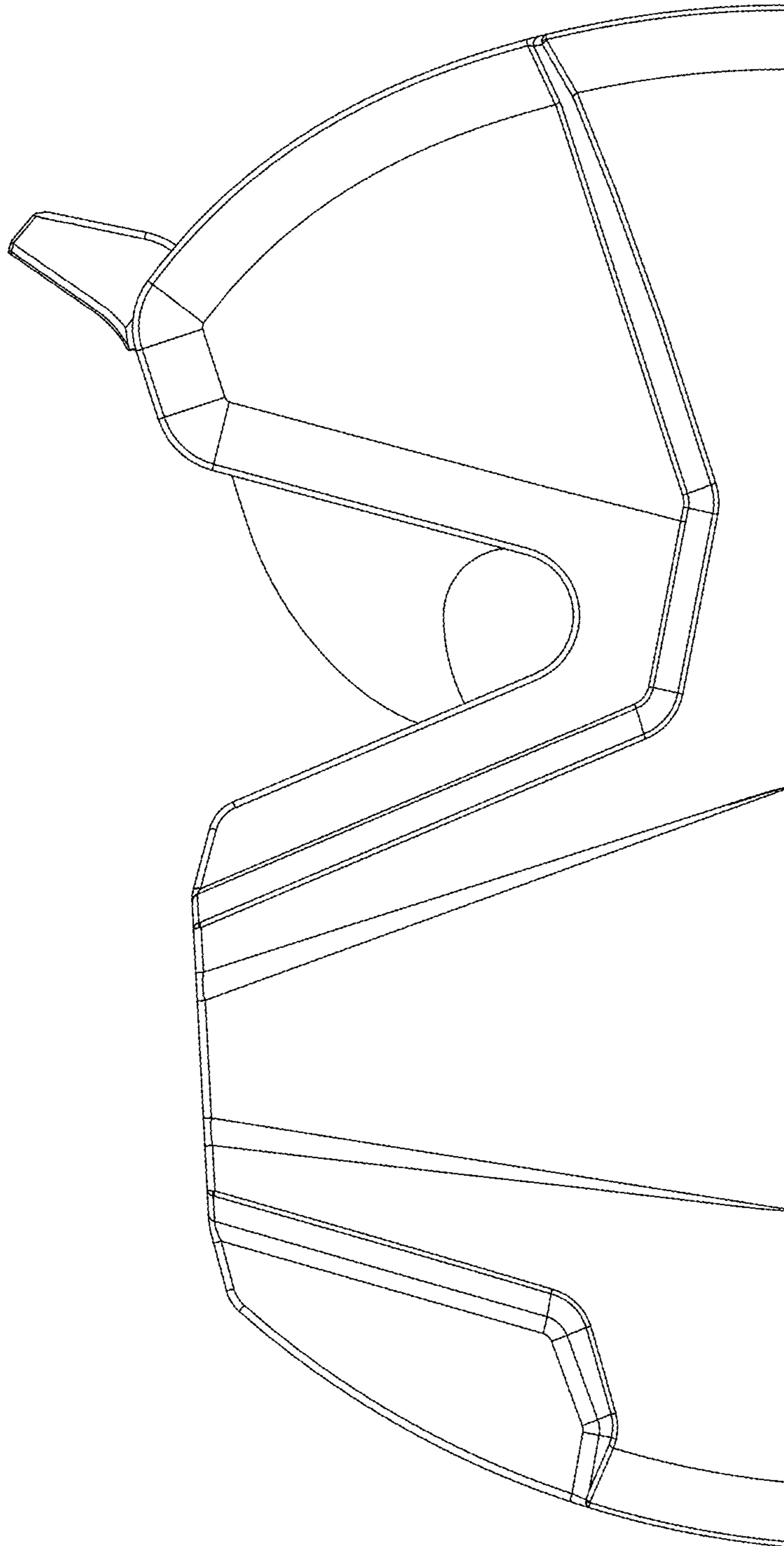


Fig. 15

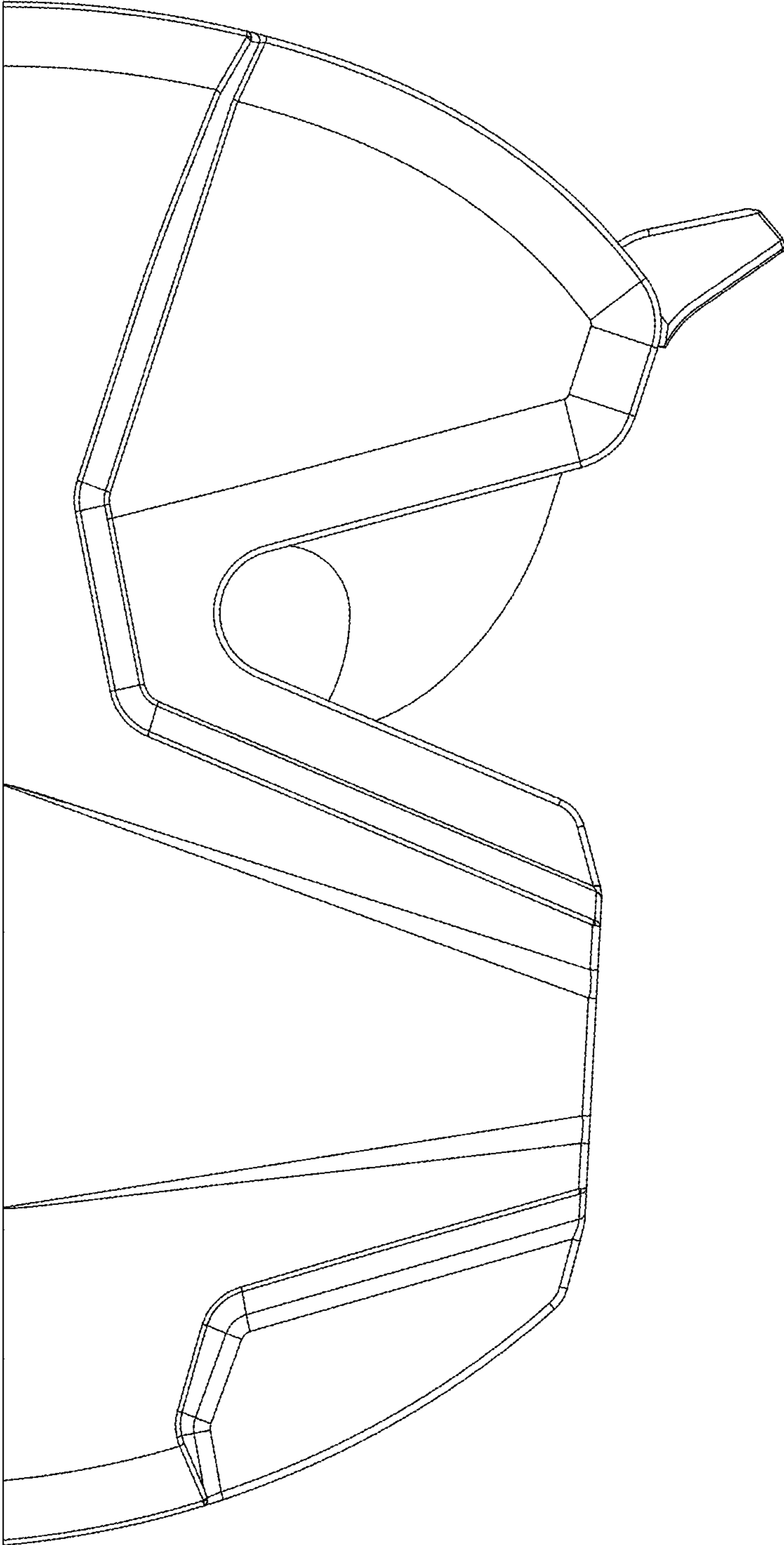


Fig. 16

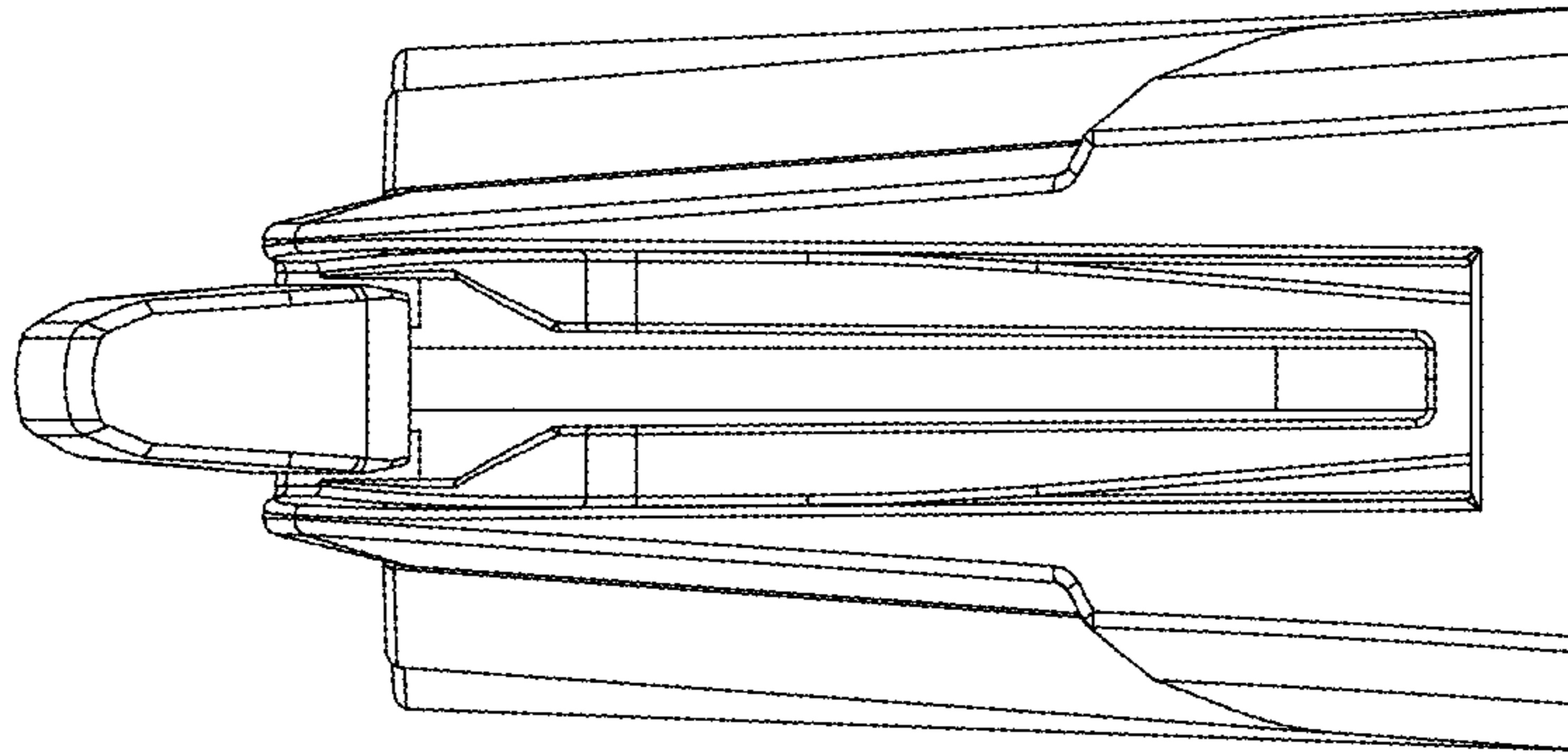


Fig. 17

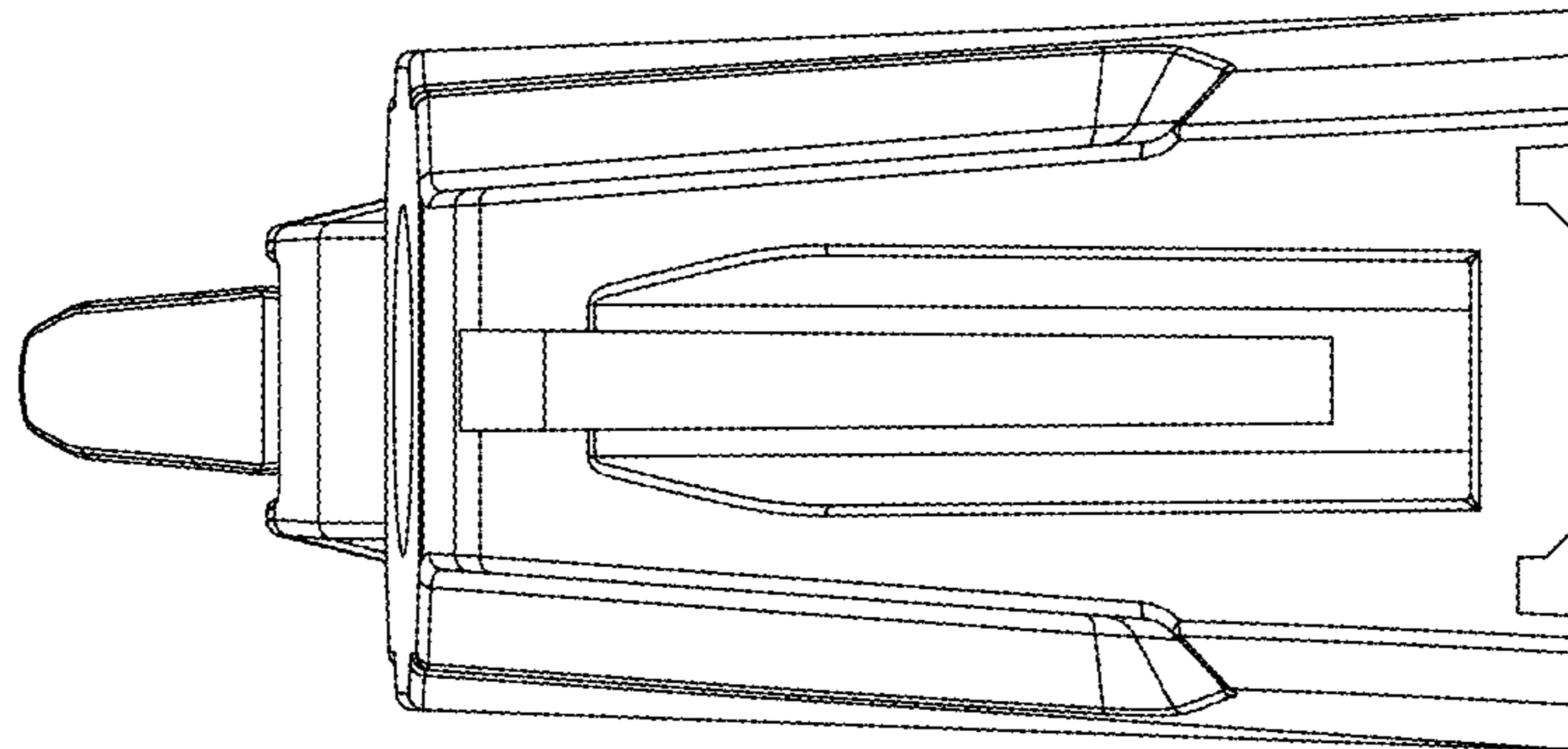


Fig. 18