



US00D984235S

(12) **United States Design Patent** (10) **Patent No.:** **US D984,235 S**  
**Lin** (45) **Date of Patent:** **\*\* Apr. 25, 2023**

(54) **CABLE STRIPPING TOOL**  
(71) Applicant: **Hanlong Industrial Co., Ltd.**, New Taipei (TW)  
(72) Inventor: **Pai-Wei Lin**, New Taipei (TW)  
(73) Assignee: **Hanlong Industrial Co., Ltd.**, New Taipei (TW)

2009/0100681 A1\* 4/2009 Tarpill ..... H02G 1/1224  
30/90.1  
2013/0111763 A1\* 5/2013 Steiner ..... H02G 1/1224  
30/91.2  
2013/0326882 A1\* 12/2013 Harvey ..... H02G 1/1214  
30/91.2  
2016/0036207 A1\* 2/2016 Burriss ..... H02G 1/1224  
30/91.2  
2016/0172828 A1\* 6/2016 Liao ..... H02G 1/1212  
30/91.2

(\*\*) Term: **15 Years**

**OTHER PUBLICATIONS**

(21) Appl. No.: **29/732,447**  
(22) Filed: **Apr. 24, 2020**  
(51) **LOC (14) Cl.** ..... **08-05**  
(52) **U.S. Cl.**  
USPC ..... **D8/52; D8/55; D8/56**  
(58) **Field of Classification Search**  
USPC ..... D8/51-60  
CPC ..... H02G 1/1204; H02G 1/1224  
See application file for complete search history.

“Jonard UST-500 Universal Cable Stripper for RG<sup>59</sup>/<sub>11</sub> Coax Cables” product listing on Amazon.com, listed as first available on Nov. 17, 2011. Retrieved on Jul. 1, 2022 from <https://a.co/d/dbyuyaP> (Year: 2011).\*

\* cited by examiner

*Primary Examiner* — Deanna L Pratt  
(74) *Attorney, Agent, or Firm* — Alan D. Kamrath; Karin L. Williams; Mayer & Williams PC

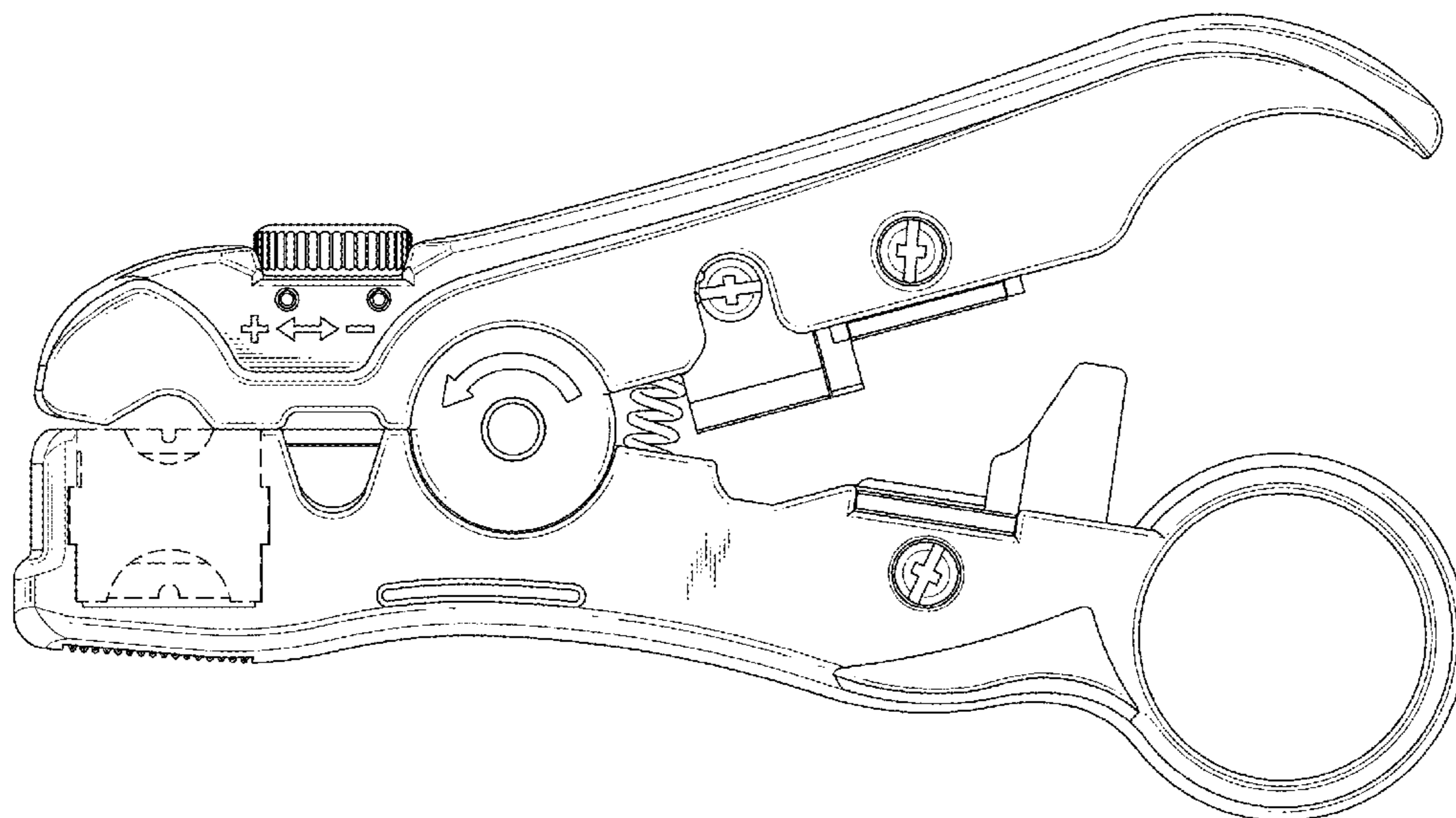
(56) **References Cited**  
**U.S. PATENT DOCUMENTS**  
D335,251 S \* 5/1993 Nilsson ..... D8/51  
D354,897 S \* 1/1995 Steiner ..... D8/51  
5,381,601 A \* 1/1995 Danter ..... H02G 1/1224  
30/90.1  
D359,214 S \* 6/1995 Carlson, Jr. .... D8/51  
5,435,029 A \* 7/1995 Carlson, Jr. .... H02G 1/1292  
140/123  
6,138,362 A \* 10/2000 Yoshimori ..... H02G 1/1239  
30/91.2  
6,526,661 B1 \* 3/2003 Shutts ..... H02G 1/1295  
30/91.2  
D703,506 S \* 4/2014 Steiner ..... D8/51  
D751,879 S \* 3/2016 Sutter ..... D8/51  
D759,453 S \* 6/2016 Payne ..... D8/56  
D819,424 S \* 6/2018 Graykowski ..... D8/98  
D891,889 S \* 8/2020 Tsai ..... D8/52  
2006/0179662 A1 \* 8/2006 Holliday ..... H02G 1/1224  
30/90.1

(57) **CLAIM**  
The ornamental design for a cable stripping tool, as shown and described.

**DESCRIPTION**

FIG. 1 is a perspective view of a cable stripping tool in accordance to embodiment of the design;  
FIG. 2 is a front view thereof;  
FIG. 3 is a rear view thereof;  
FIG. 4 is a left view thereof;  
FIG. 5 is a right view thereof;  
FIG. 6 is a top view thereof;  
FIG. 7 is a bottom view thereof; and,  
FIG. 8 is another perspective view thereof.  
The broken line is for illustrative purposes only and forms no part of the claimed design.

**1 Claim, 6 Drawing Sheets**



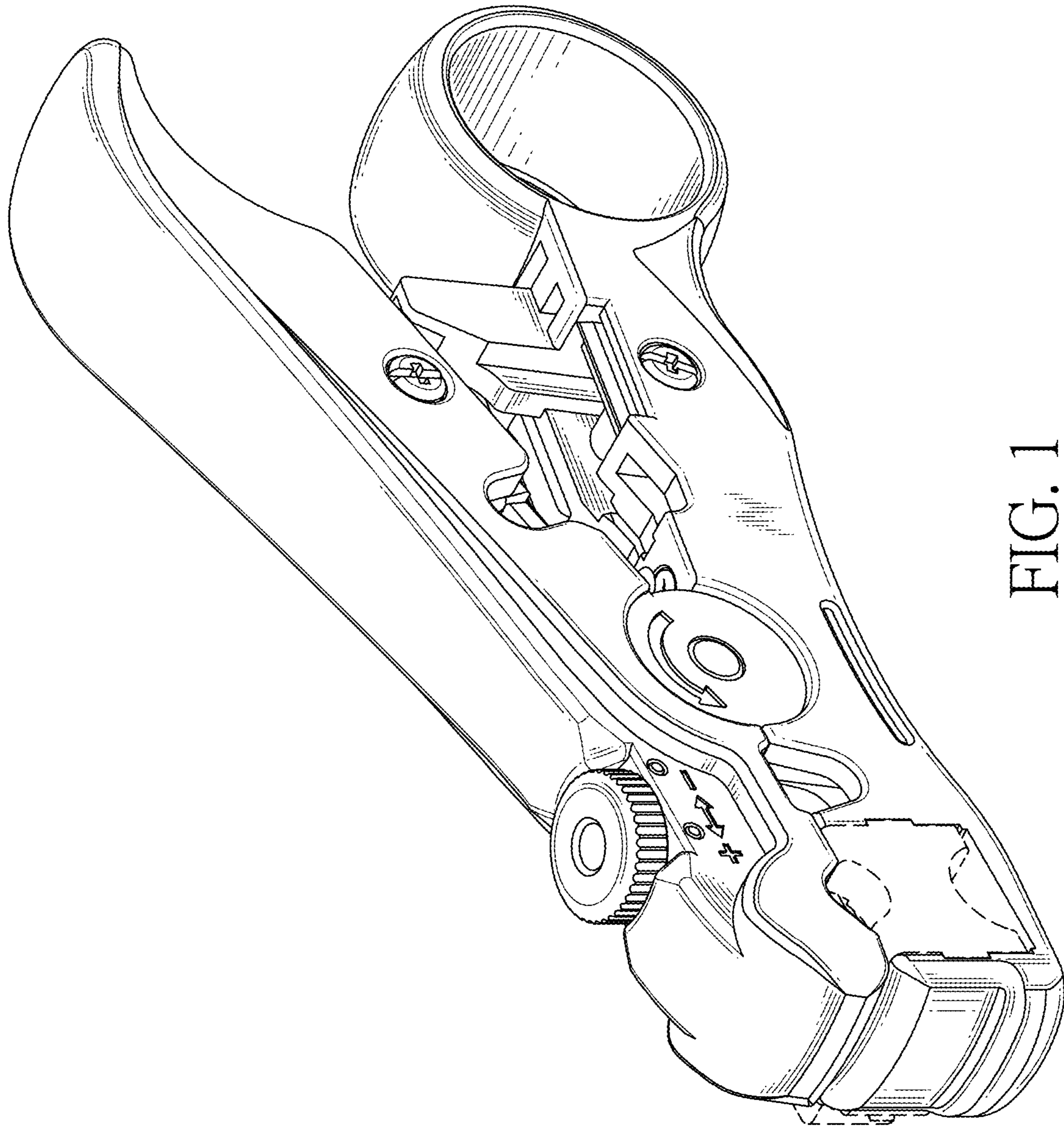


FIG. 1

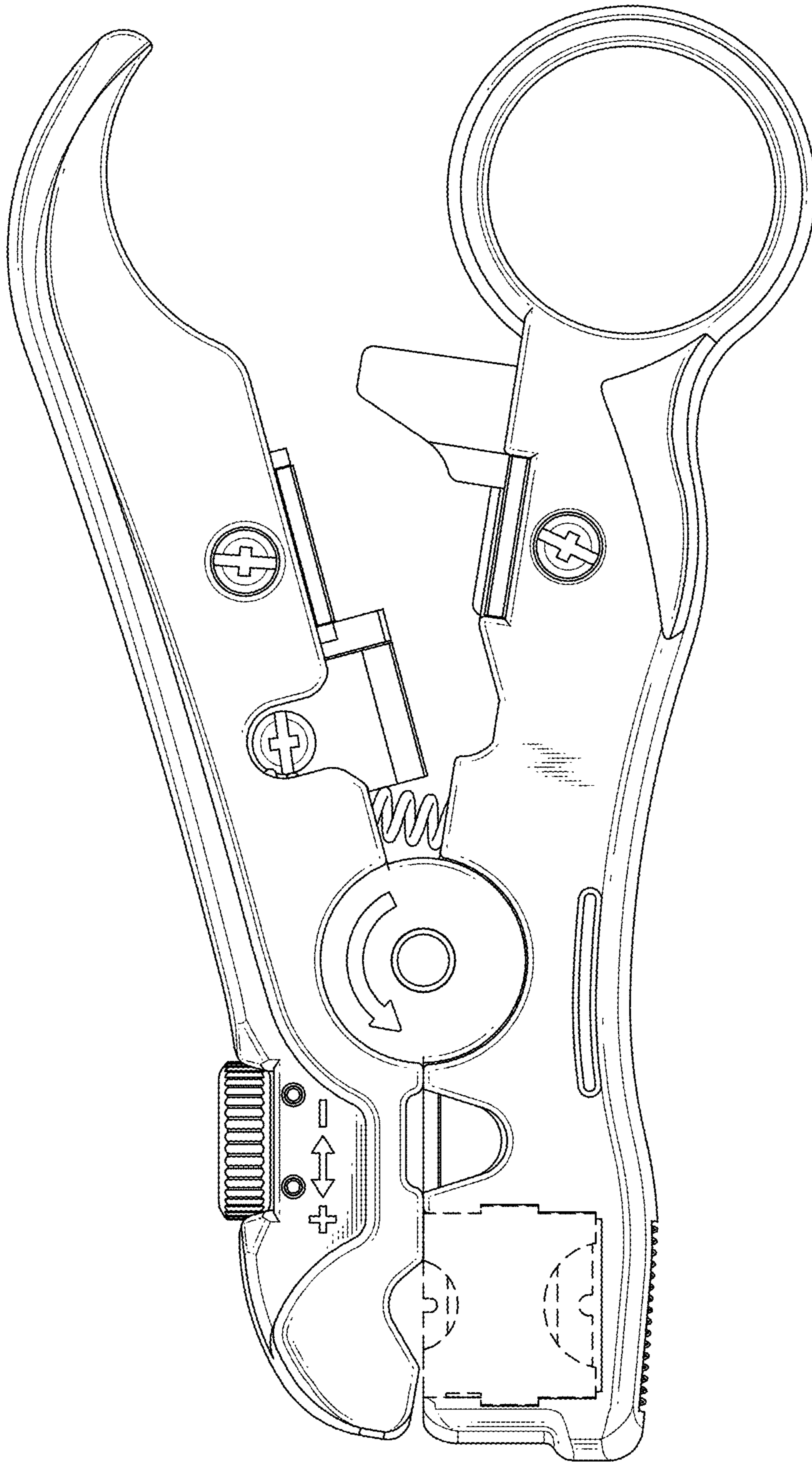


FIG. 2

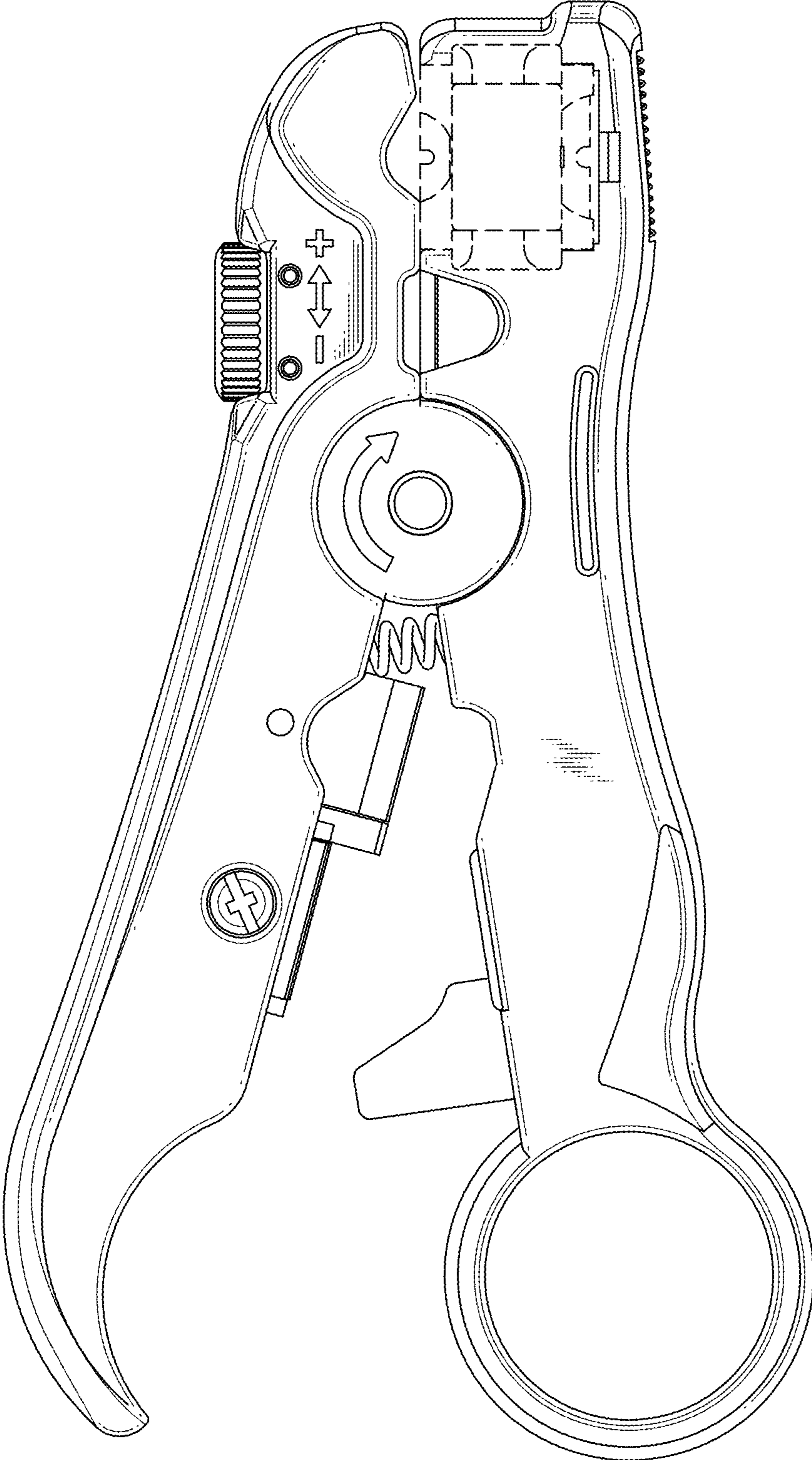


FIG. 3

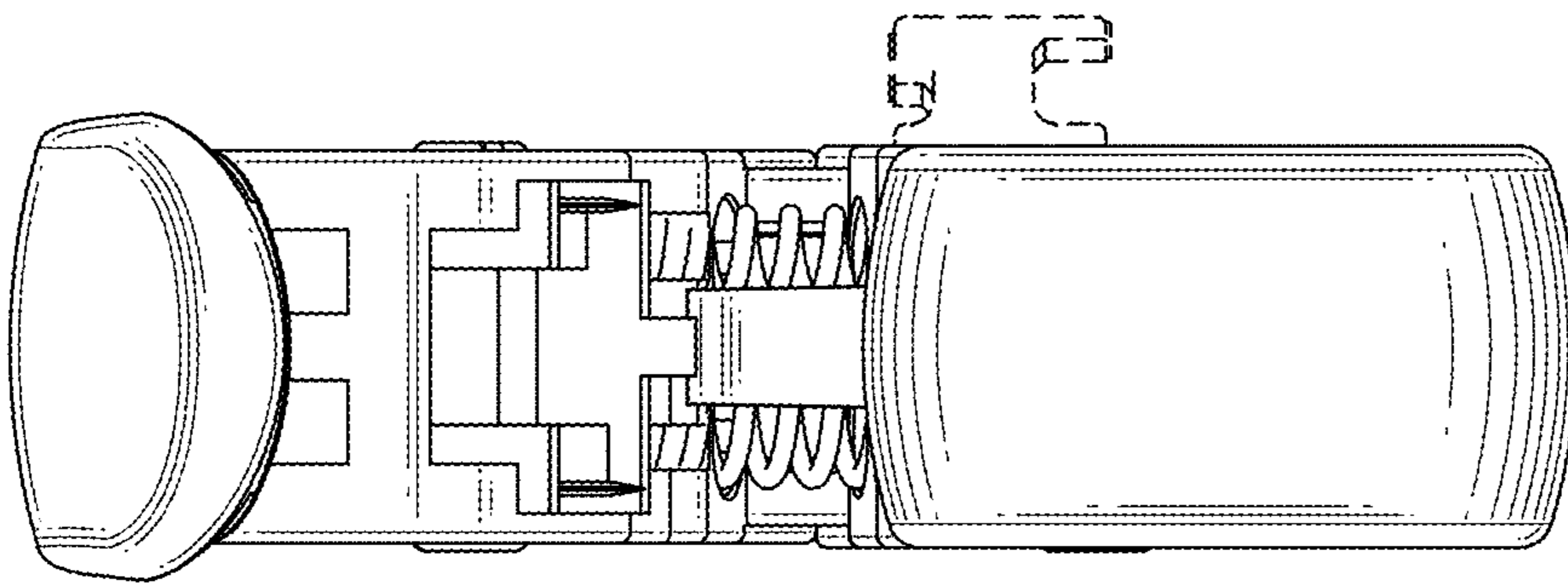


FIG. 5

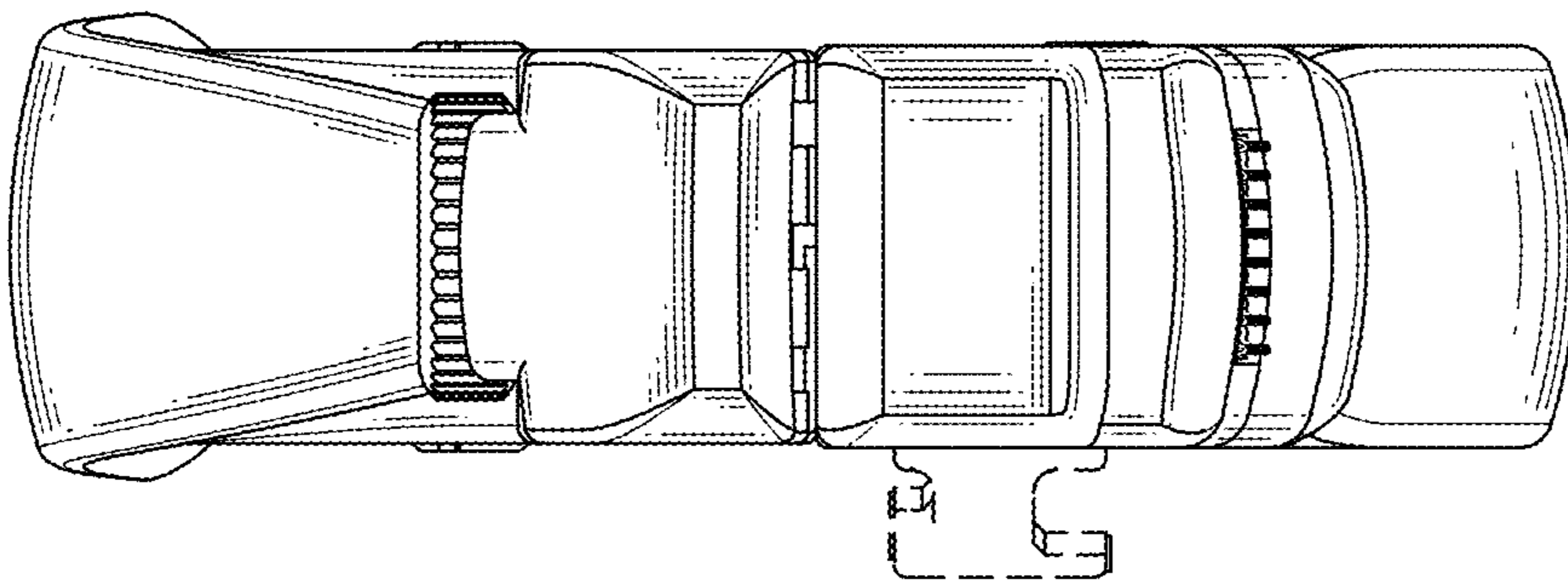


FIG. 4

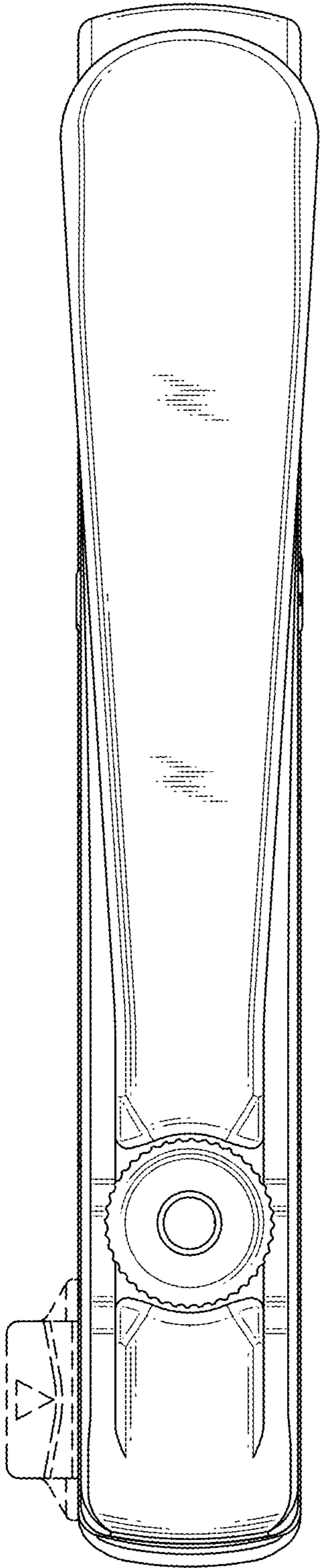


FIG. 6

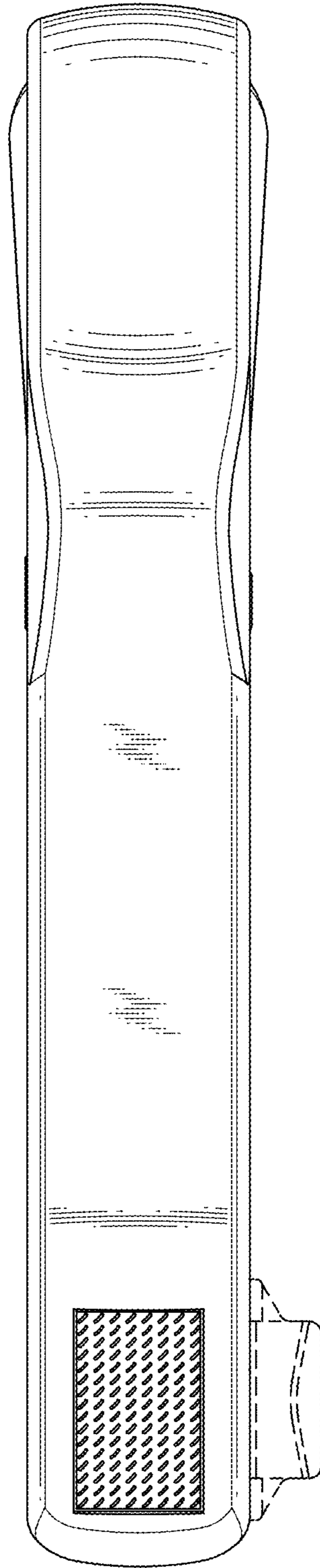


FIG. 7

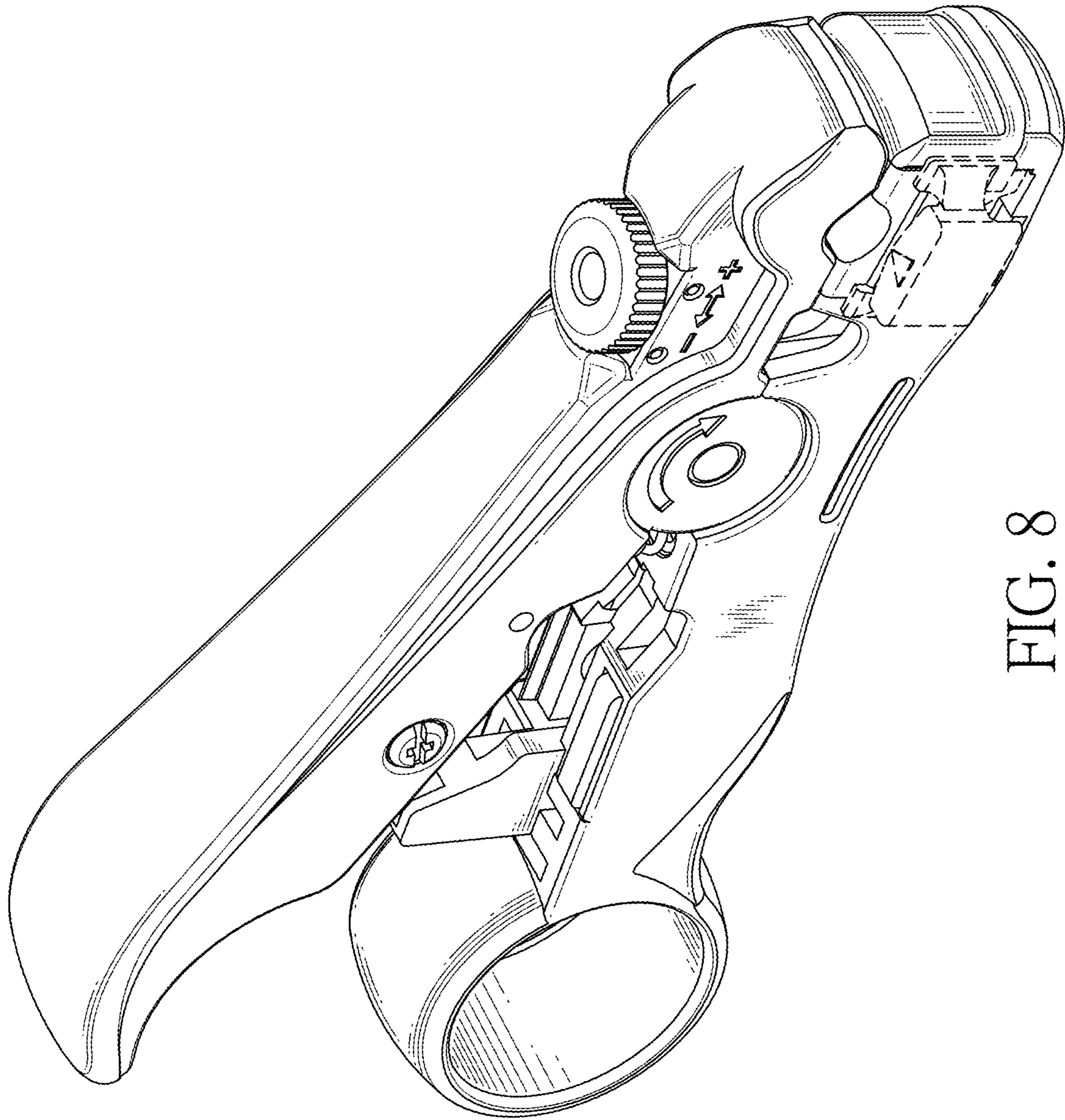


FIG. 8