



US00D984233S

(12) **United States Design Patent**
Liu

(10) **Patent No.:** **US D984,233 S**
(45) **Date of Patent:** **** Apr. 25, 2023**

(54) **AUTOMOBILE DENT REPAIR DEVICE**

FOREIGN PATENT DOCUMENTS

(71) Applicant: **Wenling Yiqi Hardware Co., Ltd.**,
Zhejiang (CN)

CN 208483045 U * 2/2019
DE 202012104782 U1 * 3/2013 B21D 1/12
GB 6164715 * 9/2021

(72) Inventor: **Chaoyong Liu**, Yunnan (CN)

* cited by examiner

(73) Assignee: **Wenling Yiqi Hardware Co., Ltd.**,
Zhejiang (CN)

Primary Examiner — Deanna L Pratt
(74) *Attorney, Agent, or Firm* — ScienBiziP, P.C.

(**) Term: **15 Years**

(21) Appl. No.: **29/809,204**

(22) Filed: **Sep. 27, 2021**

(51) **LOC (14) Cl.** **08-02**

(52) **U.S. Cl.**
USPC **D8/51**

(58) **Field of Classification Search**
USPC D8/14, 51
CPC B21D 1/12
See application file for complete search history.

(56) **References Cited**

U.S. PATENT DOCUMENTS

D351,543 S * 10/1994 Callahan D8/51
8,516,875 B1 * 8/2013 Chan B21D 1/06
72/457
10,099,269 B1 * 10/2018 Lin B25B 11/007
D860,741 S * 9/2019 Yang B21D 1/06
D8/51
D878,885 S * 3/2020 Lin D8/51
D891,894 S * 8/2020 Lin D8/51
D925,314 S * 7/2021 Müller B21D 1/12
D8/51
11,090,704 B2 * 8/2021 Sapnu B21D 1/06

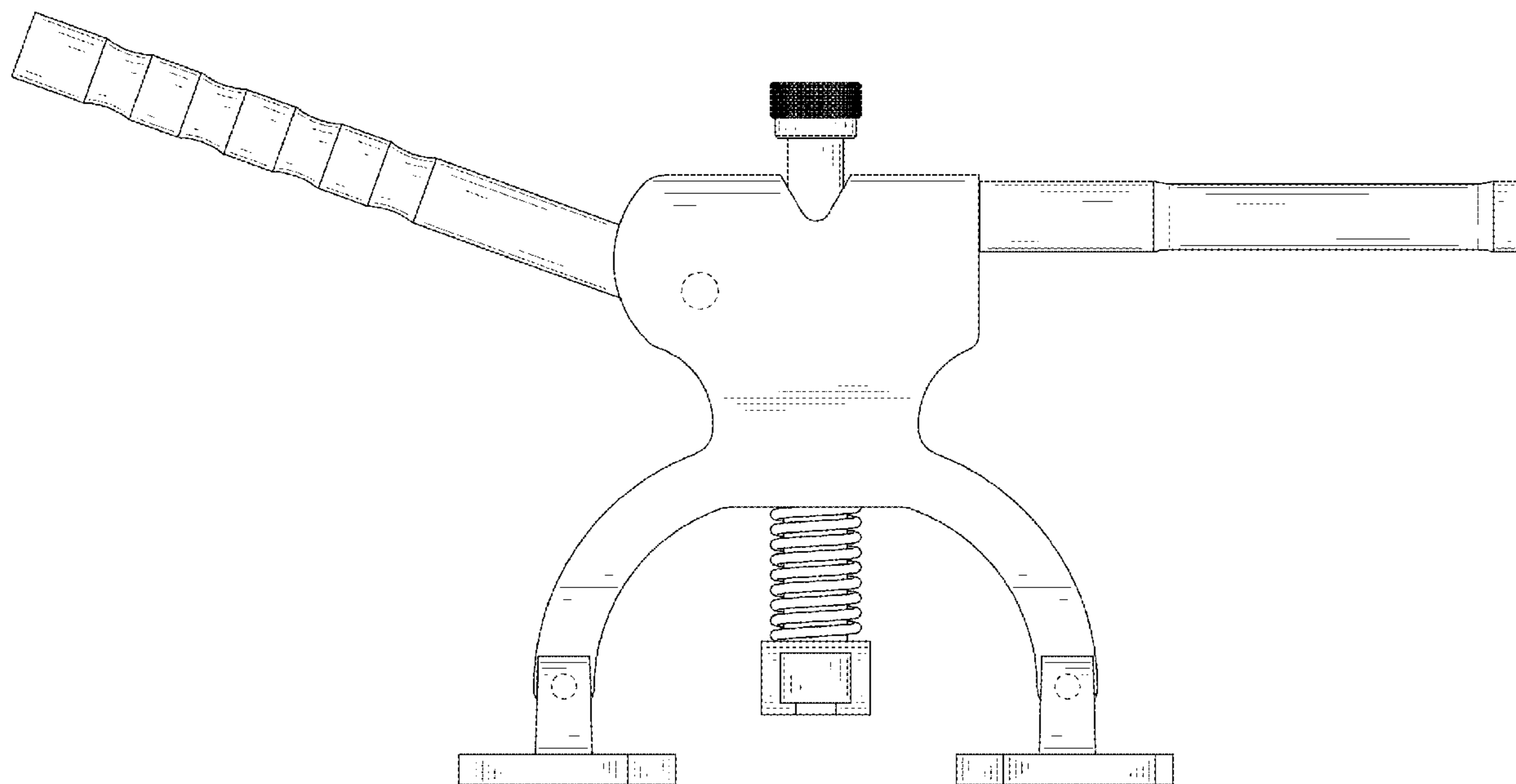
(57) **CLAIM**

The ornamental design for an automobile dent repair device,
as shown and described.

DESCRIPTION

FIG. 1 is a front, right, and top perspective view of an automobile dent repair device, showing my design.
FIG. 2 is a rear, left, and bottom perspective view thereof.
FIG. 3 is a front elevation view thereof.
FIG. 4 is a rear elevation view thereof.
FIG. 5 is a left side elevation view thereof.
FIG. 6 is a right side elevation view thereof.
FIG. 7 is a top plan view thereof.
FIG. 8 is a bottom plan view thereof.
FIG. 9 is a partial enlarged view of an area labeled 9 in FIG. 2 comprising an adjusting knob; and,
FIG. 10 is a partial enlarged view of an area labeled 10 in FIG. 2 comprising a stand bar.
The broken lines shown in the drawings are included for the purpose of illustrating portions of the automobile dent repair device that form no part of the claimed design.

1 Claim, 10 Drawing Sheets



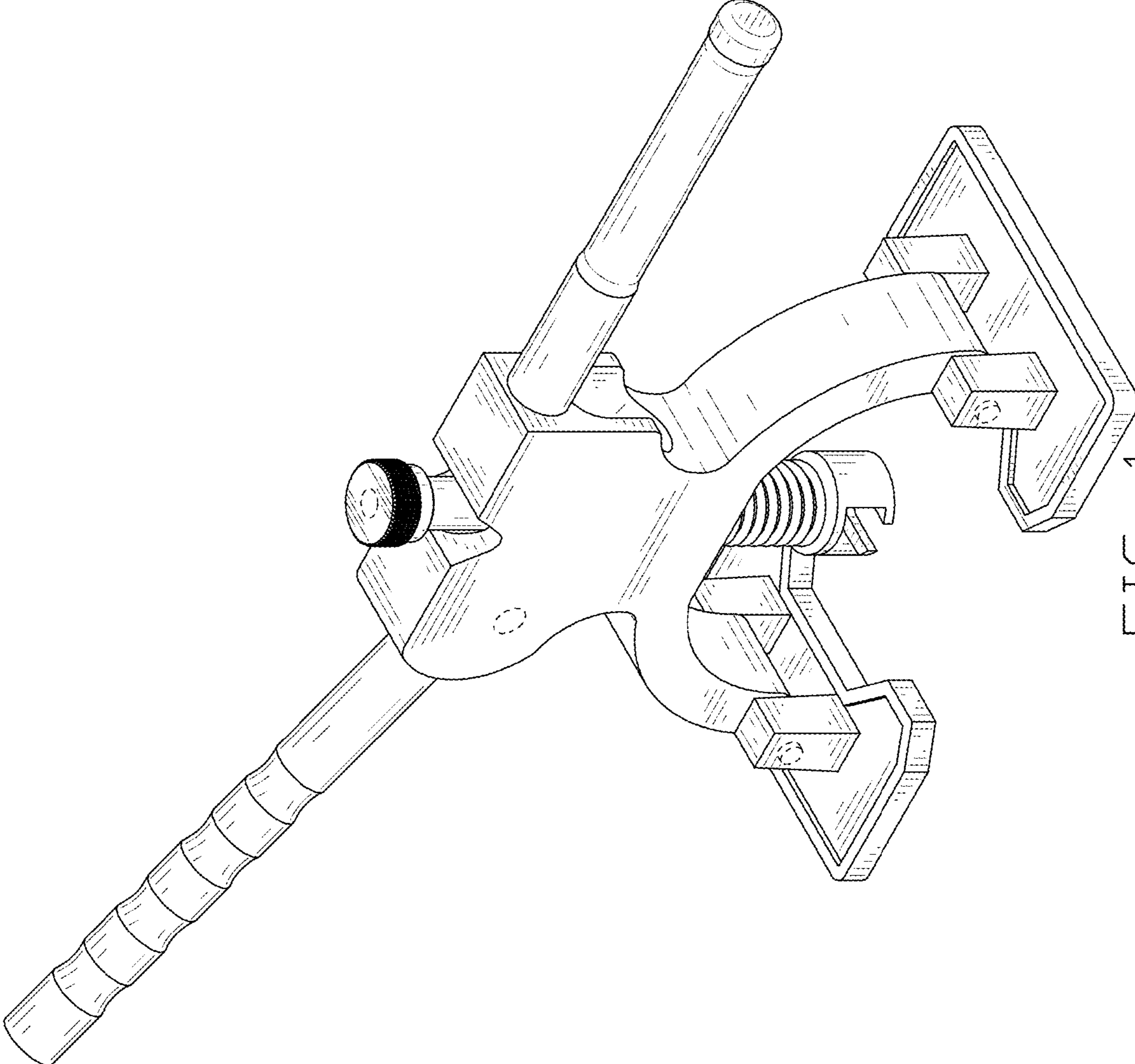


FIG. 1

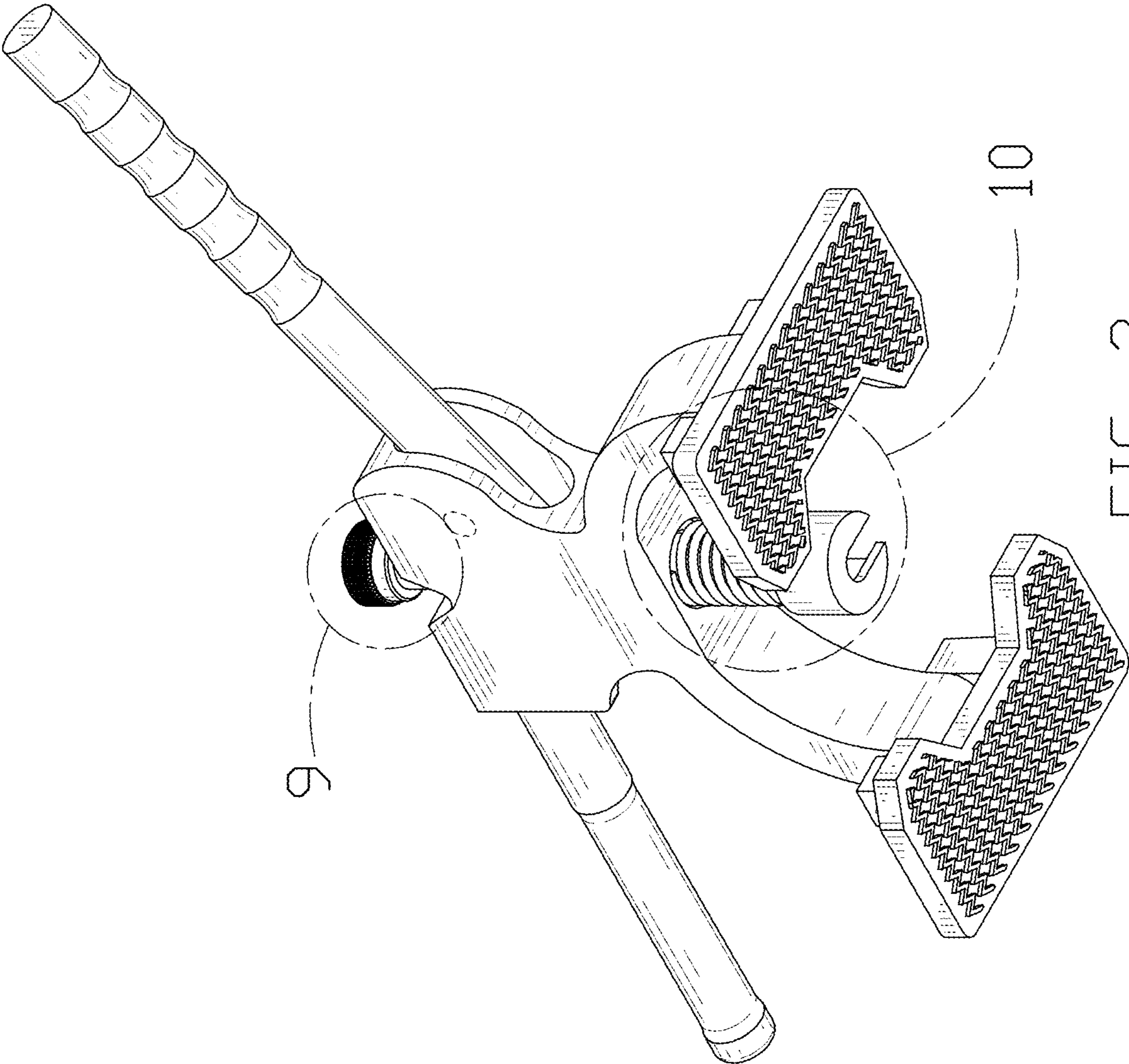


FIG. 2

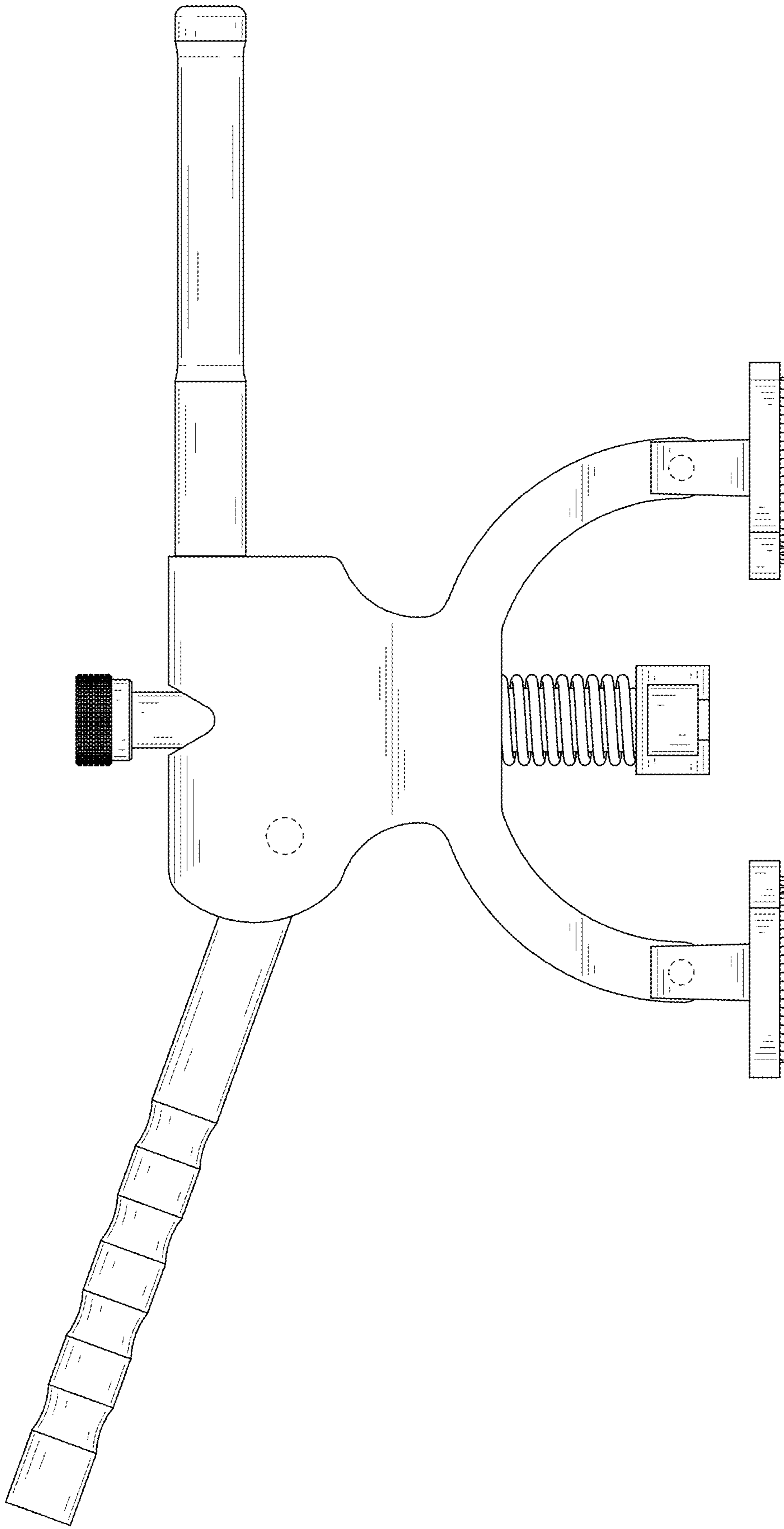


FIG. 3

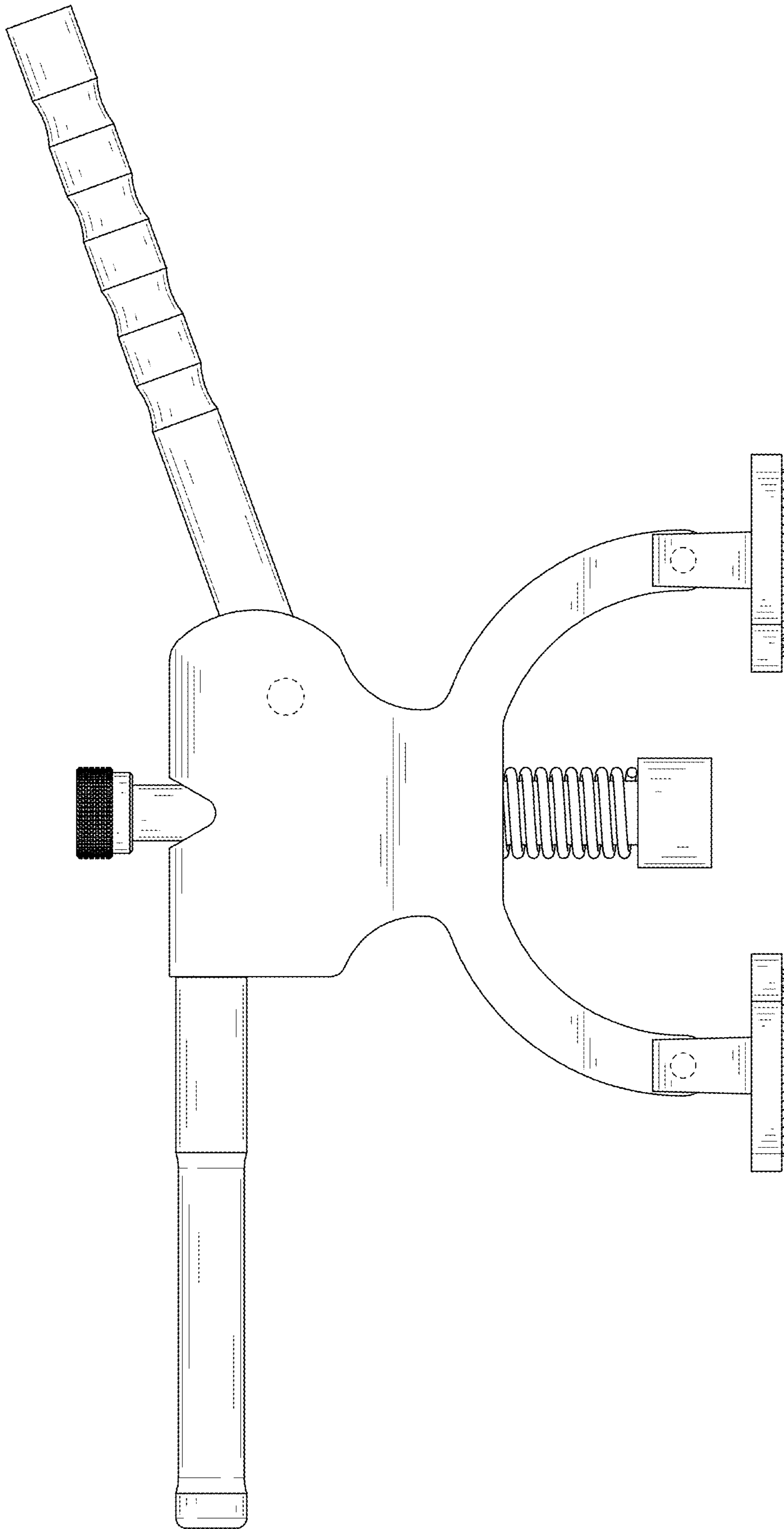


FIG. 4

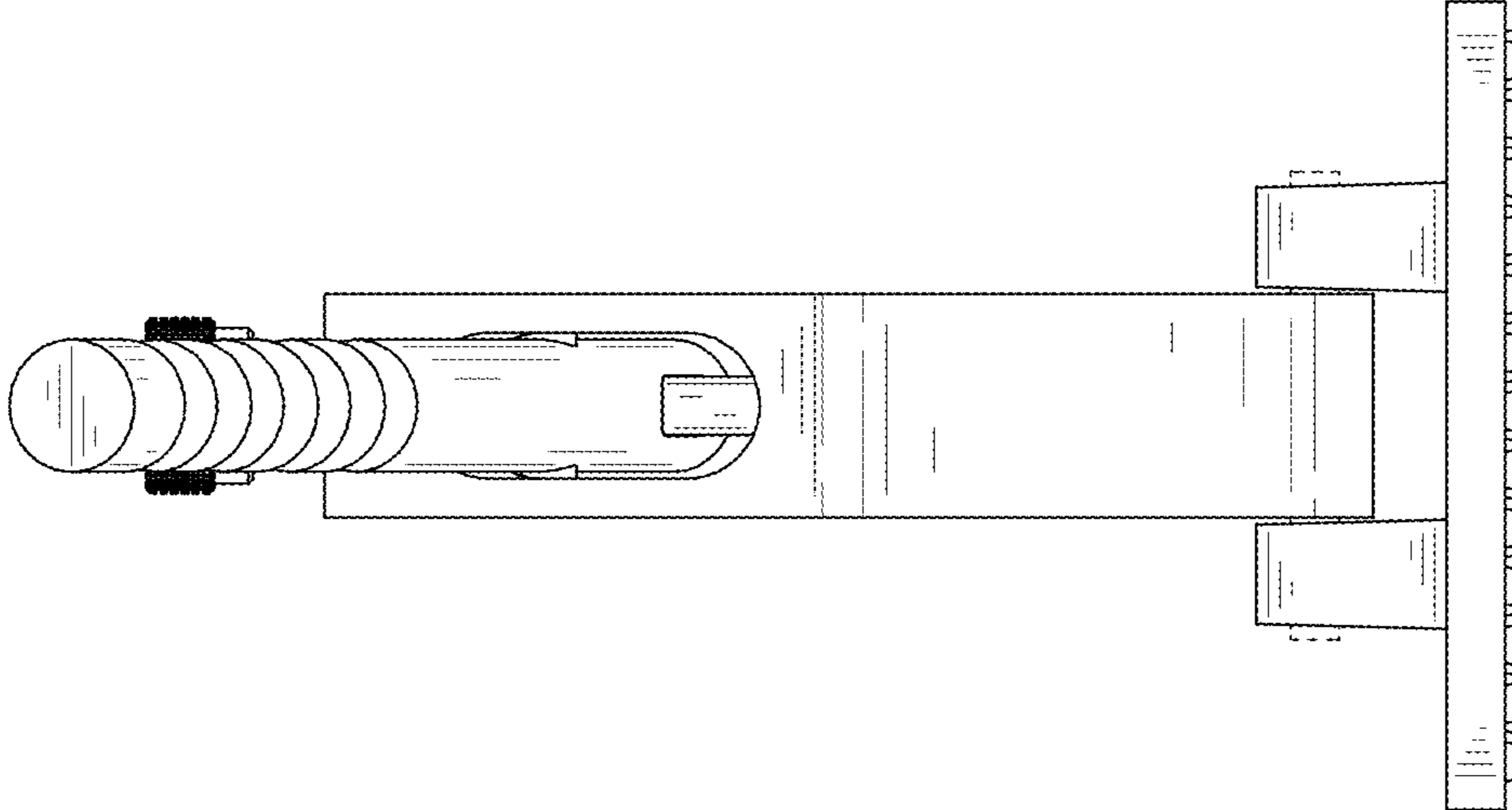


FIG. 5

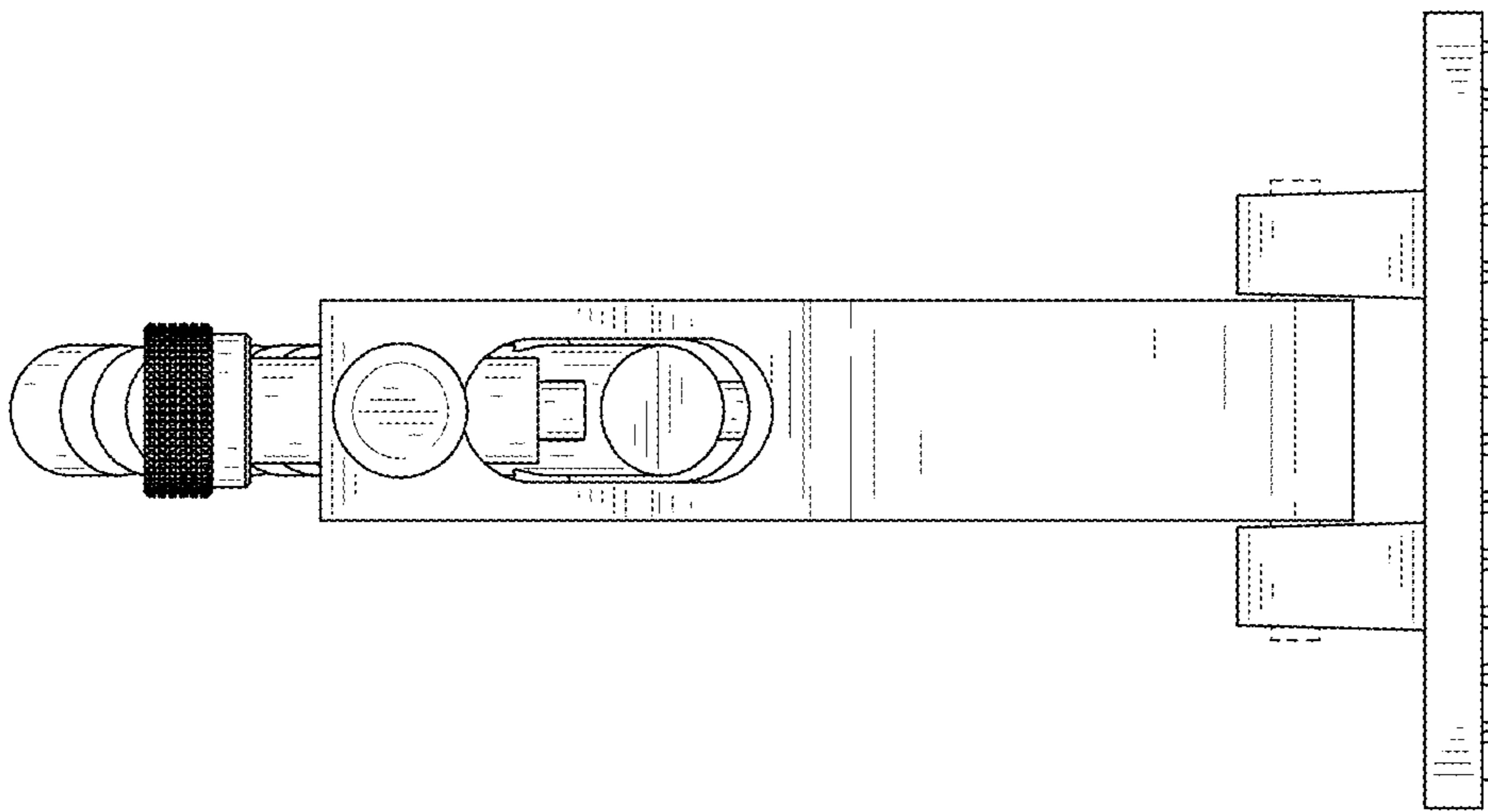


FIG. 6

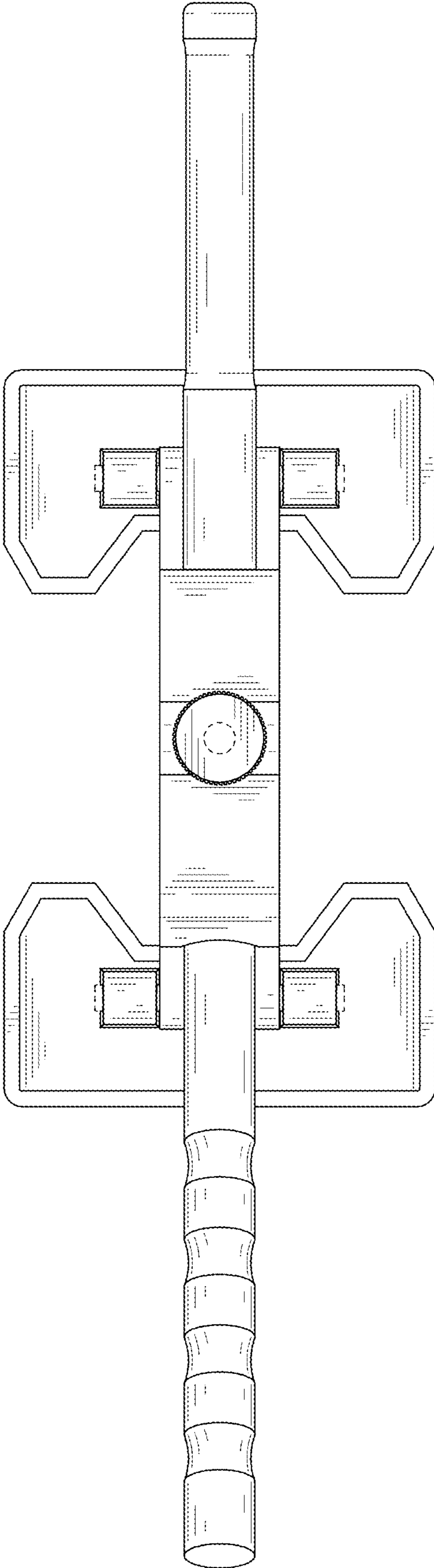


FIG. 7

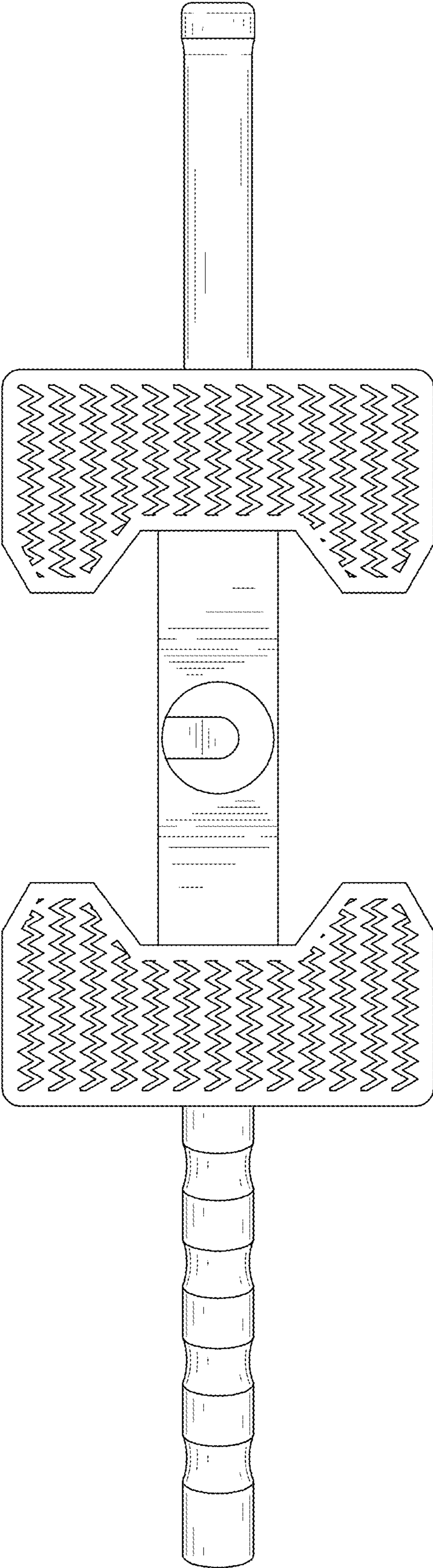


FIG. 8

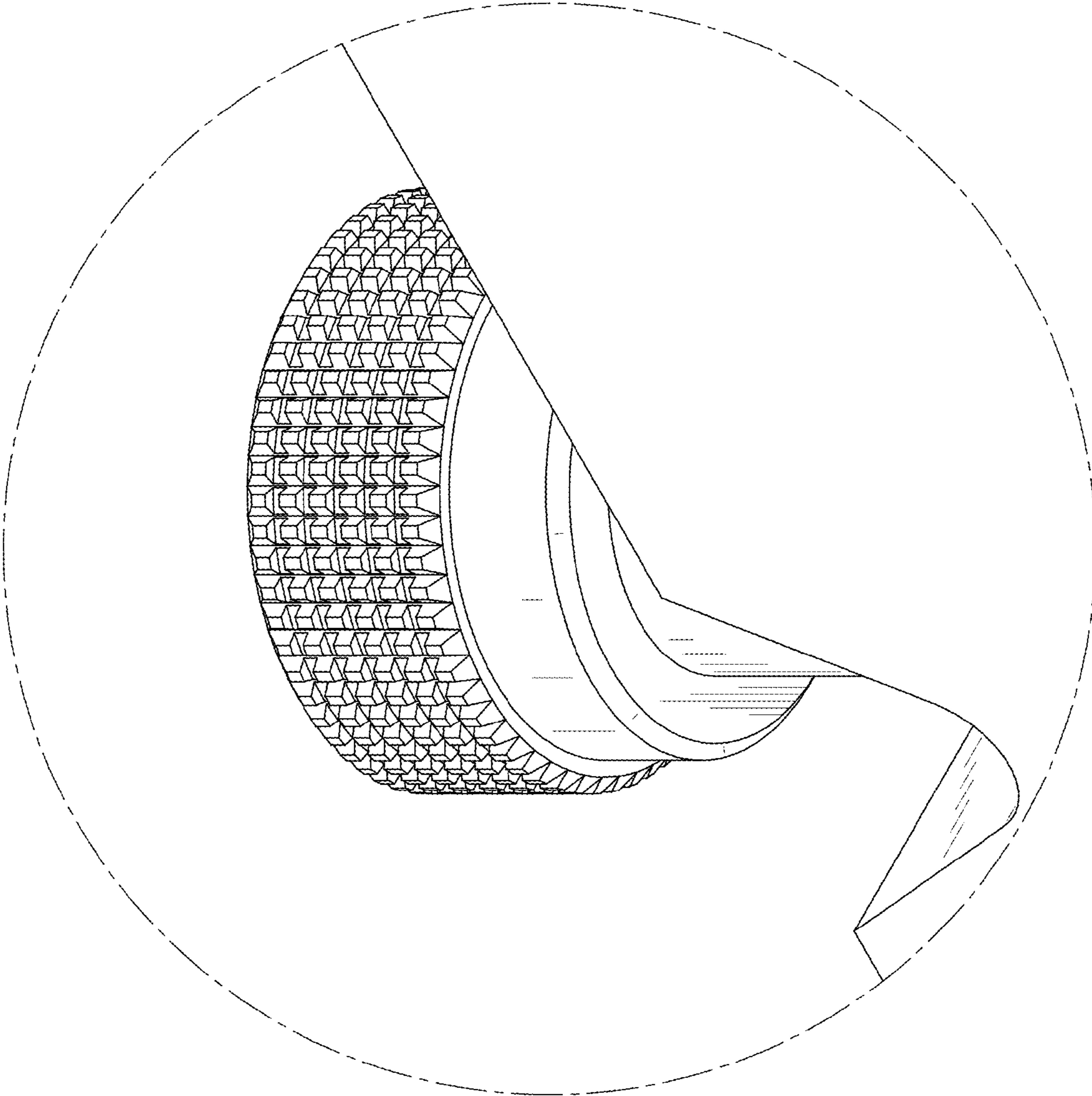


FIG. 9

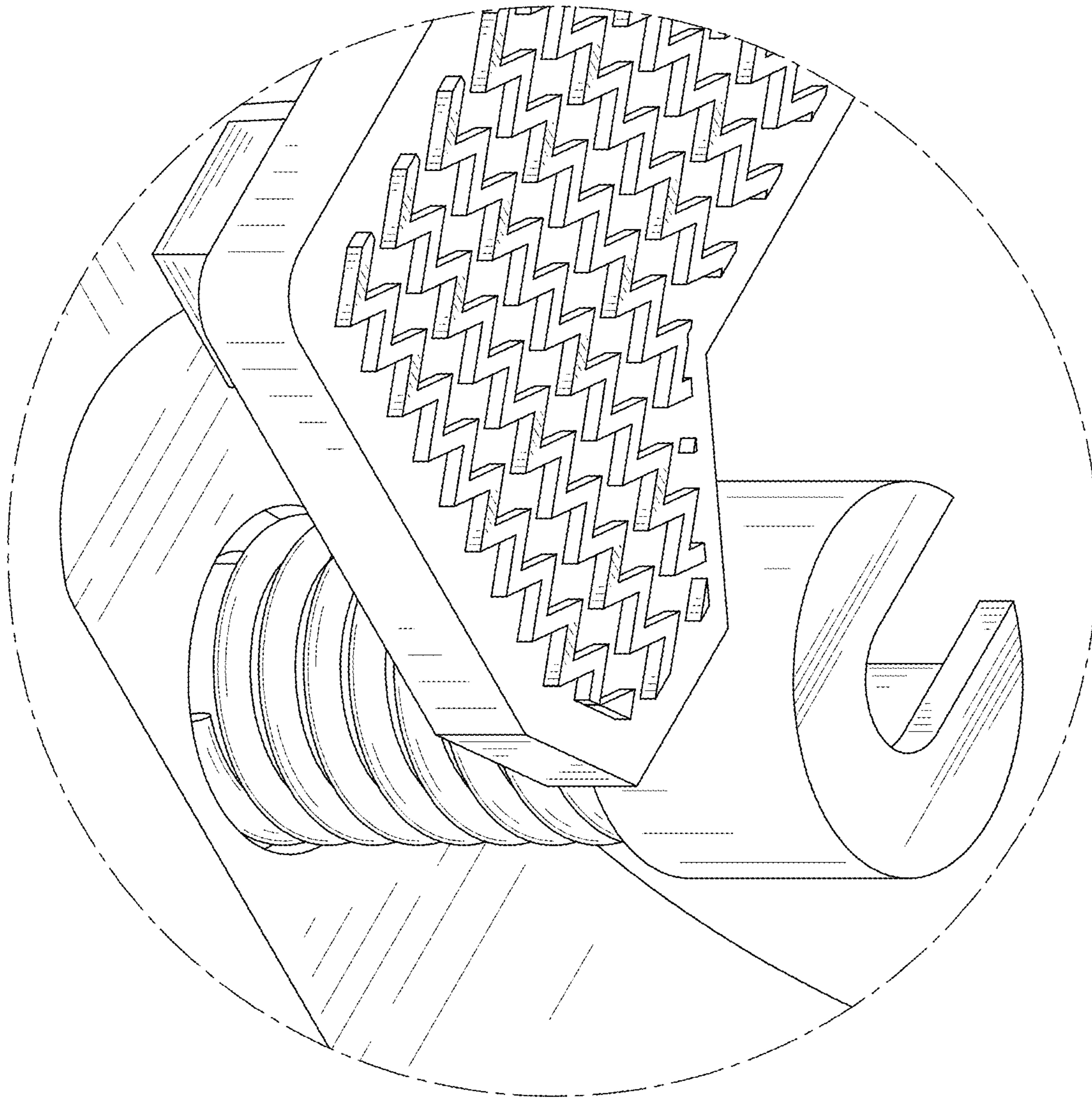


FIG. 10