



US00D984231S

(12) **United States Design Patent**
Zhang

(10) **Patent No.:** **US D984,231 S**
(45) **Date of Patent:** **** Apr. 25, 2023**

- (54) **GLUE GUN**
- (71) Applicant: **Qi Zhang**, Guangdong (CN)
- (72) Inventor: **Qi Zhang**, Guangdong (CN)
- (**) Term: **15 Years**
- (21) Appl. No.: **29/809,559**
- (22) Filed: **Sep. 29, 2021**
- (51) **LOC (14) Cl.** **08-05**
- (52) **U.S. Cl.**
USPC **D8/30**
- (58) **Field of Classification Search**
USPC D8/14.1, 29.1, 29.2, 30, 51, 68
CPC B05C 17/0053; B05C 17/00546; B05C
17/00526; B05C 17/01
See application file for complete search history.

- D879,568 S * 3/2020 Wang D8/30
- D897,796 S * 10/2020 Wang D8/30
- D935,292 S * 11/2021 Albri D8/30
- D948,300 S * 4/2022 Wang D8/30
- D958,623 S * 7/2022 Qing B05C 17/00546
D8/30
- D970,323 S * 11/2022 Wang B05C 17/0053
D8/30
- 2007/0045345 A1 * 3/2007 Monfeli B05C 17/00526
222/173
- 2017/0080449 A1 * 3/2017 Lee B05C 17/0053
- 2017/0128977 A1 * 5/2017 Hsu B05C 17/0052
- 2021/0268538 A1 * 9/2021 Lu B05C 17/00546

* cited by examiner

Primary Examiner — Philip S Hyder

(57) **CLAIM**

The ornamental design for a glue gun, as shown and described.

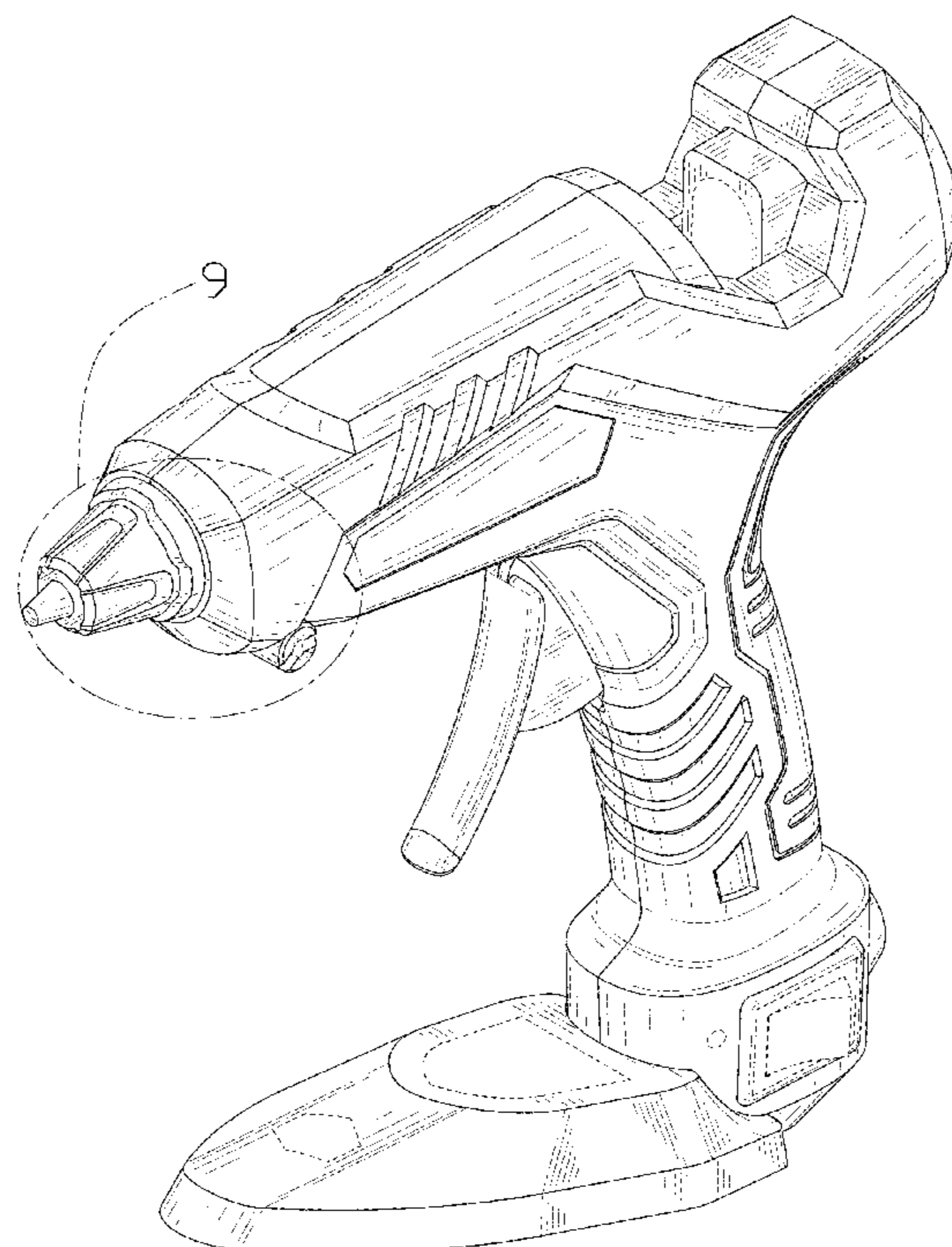
DESCRIPTION

FIG. 1 is a top, front and left side perspective view of a glue gun showing my new design;
 FIG. 2 is a bottom, rear and right side perspective view thereof;
 FIG. 3 is a front elevational view thereof;
 FIG. 4 is a rear elevational view thereof;
 FIG. 5 is a left side view thereof;
 FIG. 6 is a right side view thereof;
 FIG. 7 is a top plan view thereof;
 FIG. 8 is a bottom plan view thereof; and,
 FIG. 9 is an enlarged view of portion 9 in FIG. 1.
 The broken lines in the drawings illustrate portions of the glue gun which form no part of the claimed design.

(56) **References Cited**
U.S. PATENT DOCUMENTS

- D303,612 S * 9/1989 Knispel D8/30
- D404,622 S * 1/1999 Singleton D8/29.1
- 6,105,824 A * 8/2000 Singleton B05C 17/00546
219/229
- 6,170,709 B1 * 1/2001 Huang B05C 17/00546
222/146.5
- D510,243 S * 10/2005 Lee D8/30
- D514,406 S * 2/2006 Lee D8/30
- D535,167 S * 1/2007 Monfeli D8/30
- D541,121 S * 4/2007 Axinte D8/30
- D671,385 S * 11/2012 Yung-Kuan D8/30
- D793,193 S * 8/2017 Lee D8/30
- D809,884 S * 2/2018 Huang D8/30
- D870,525 S * 12/2019 Zhang B05C 17/00546
D8/30

1 Claim, 9 Drawing Sheets



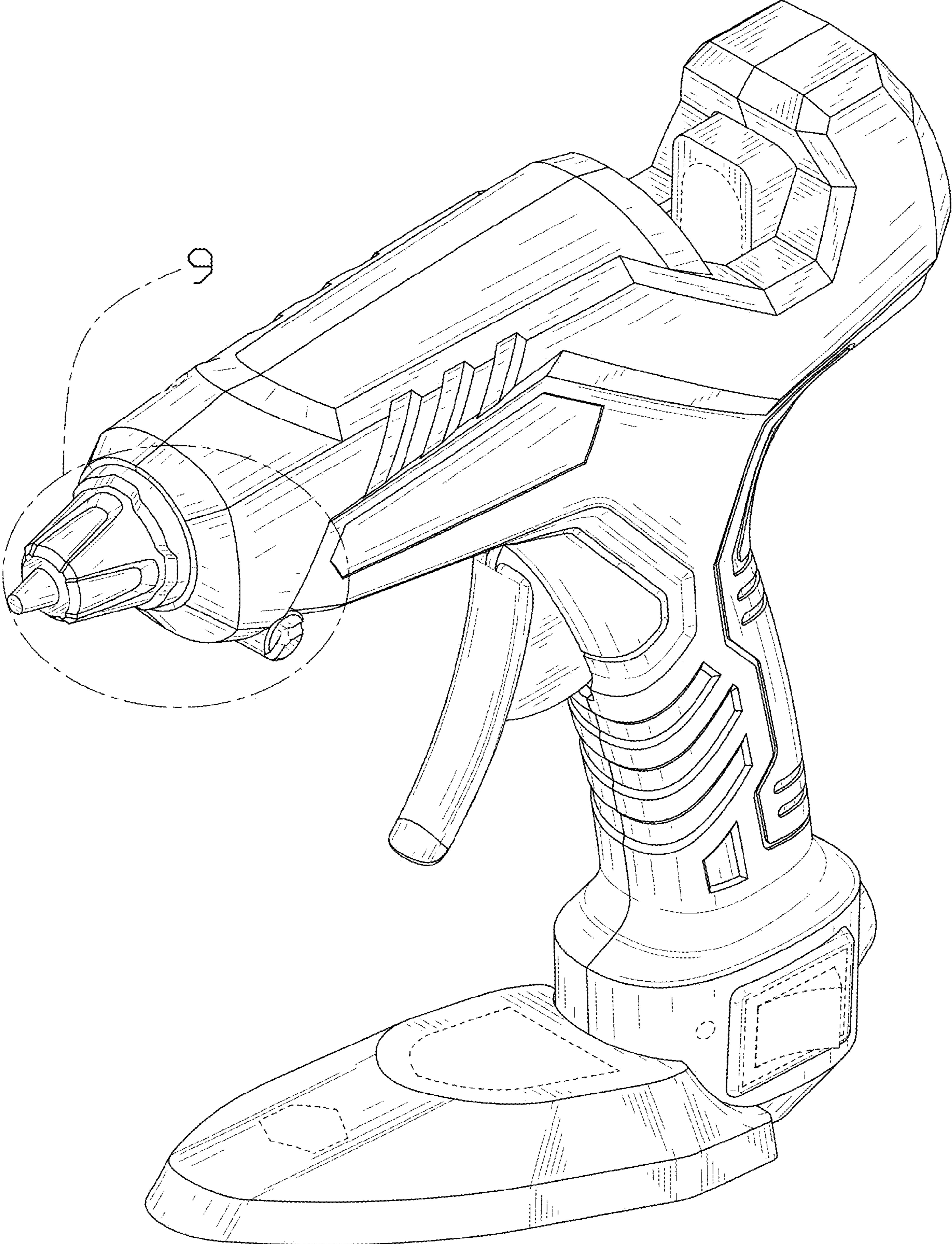


FIG. 1

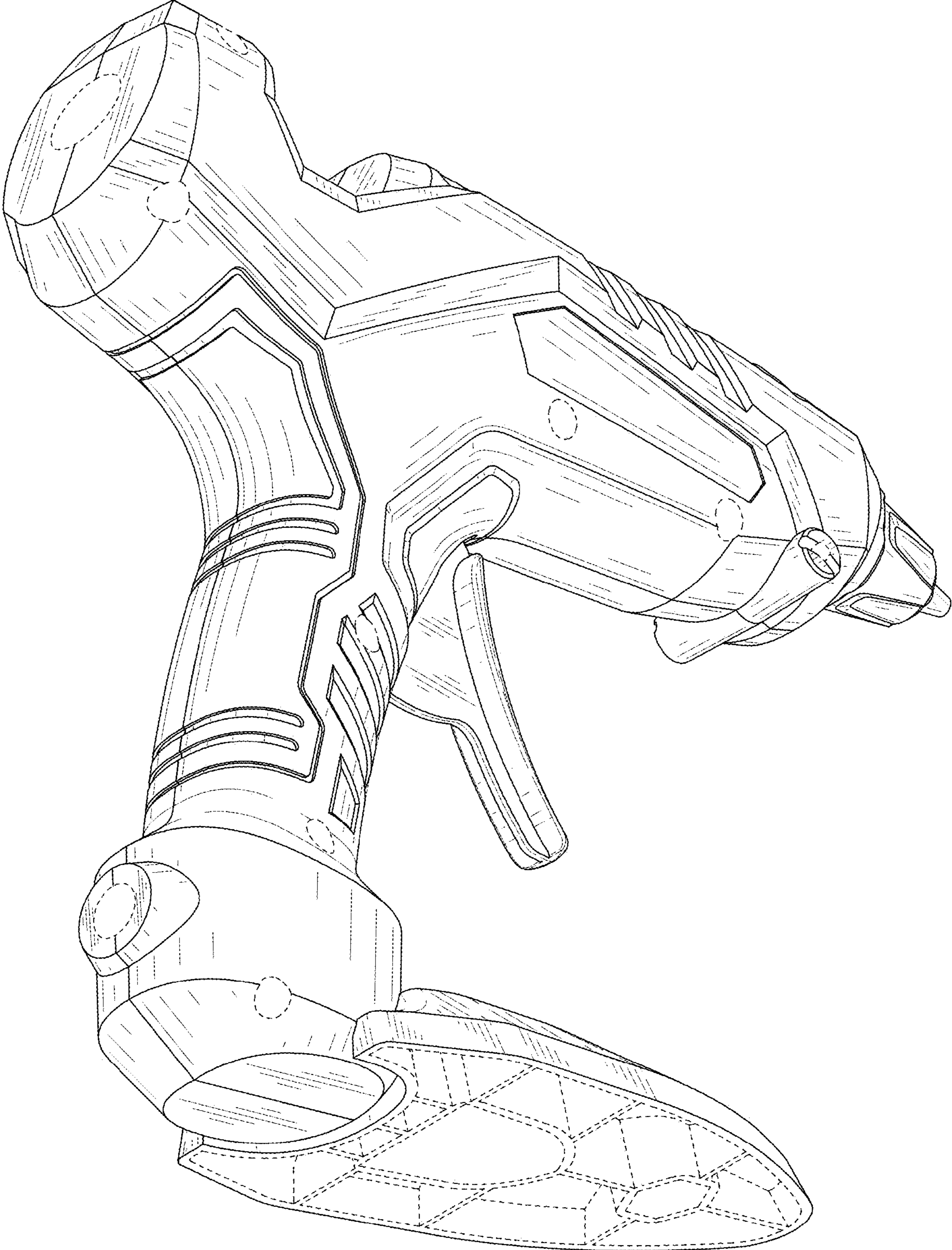


FIG. 2

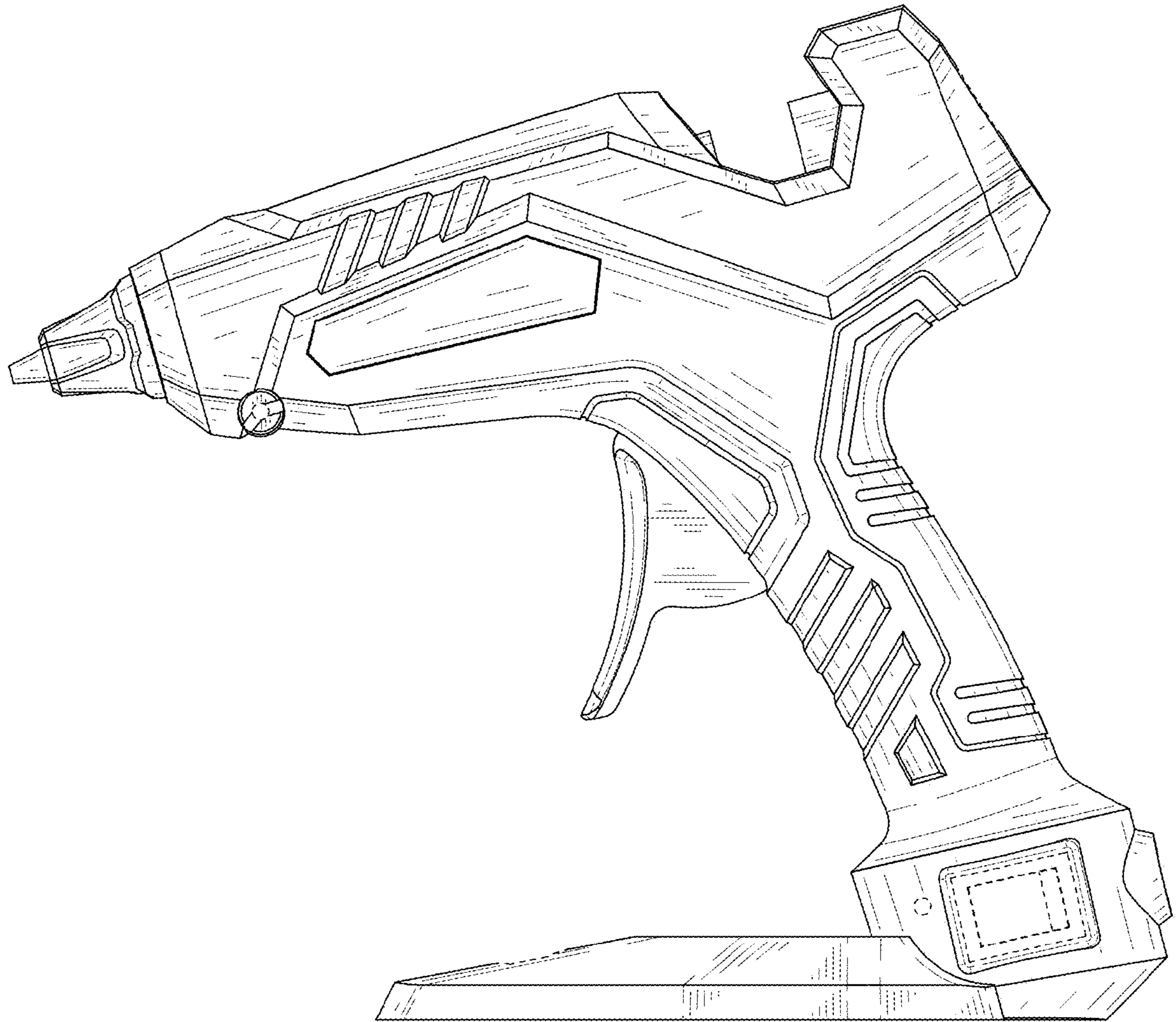


FIG. 3

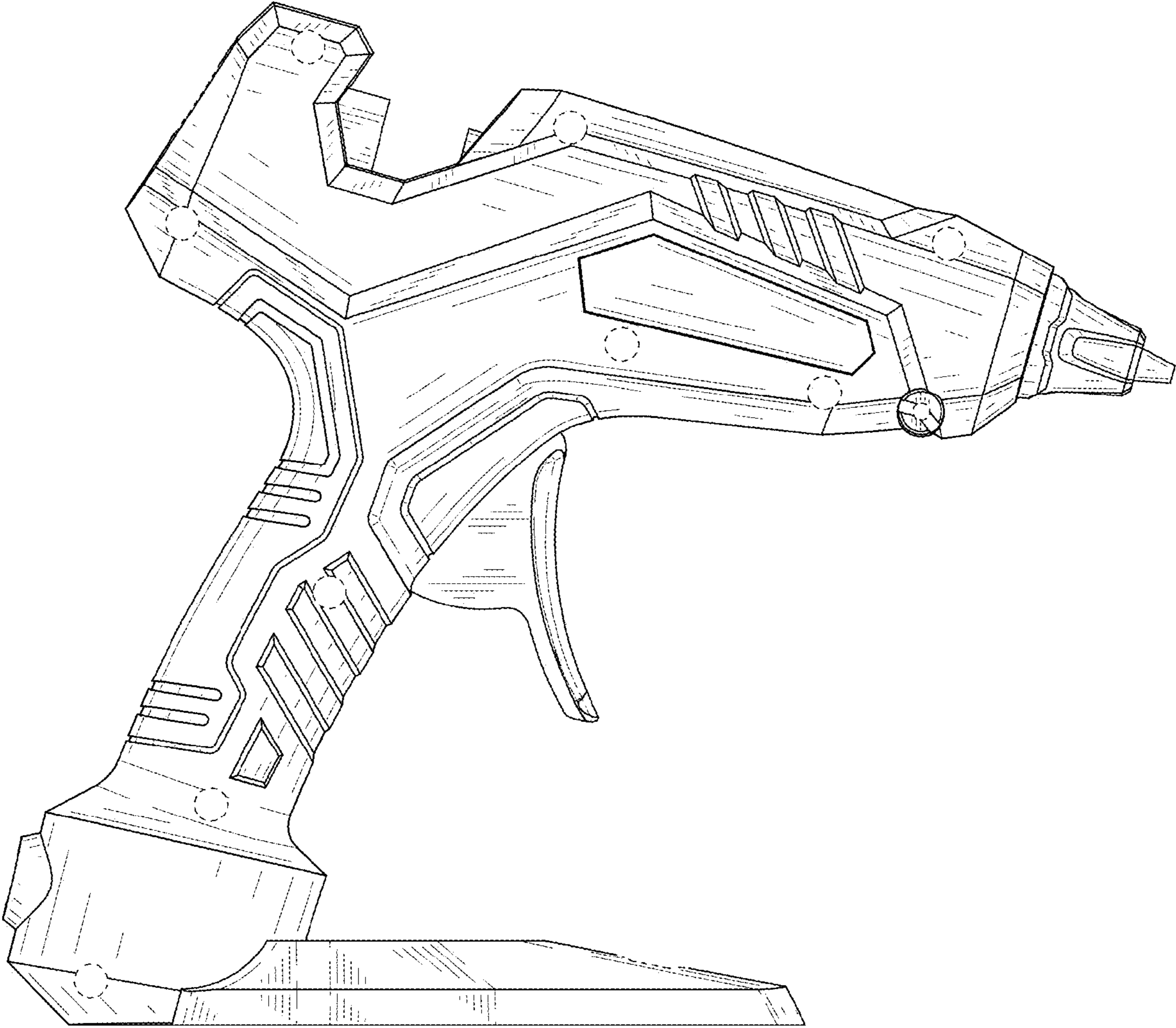


FIG. 4

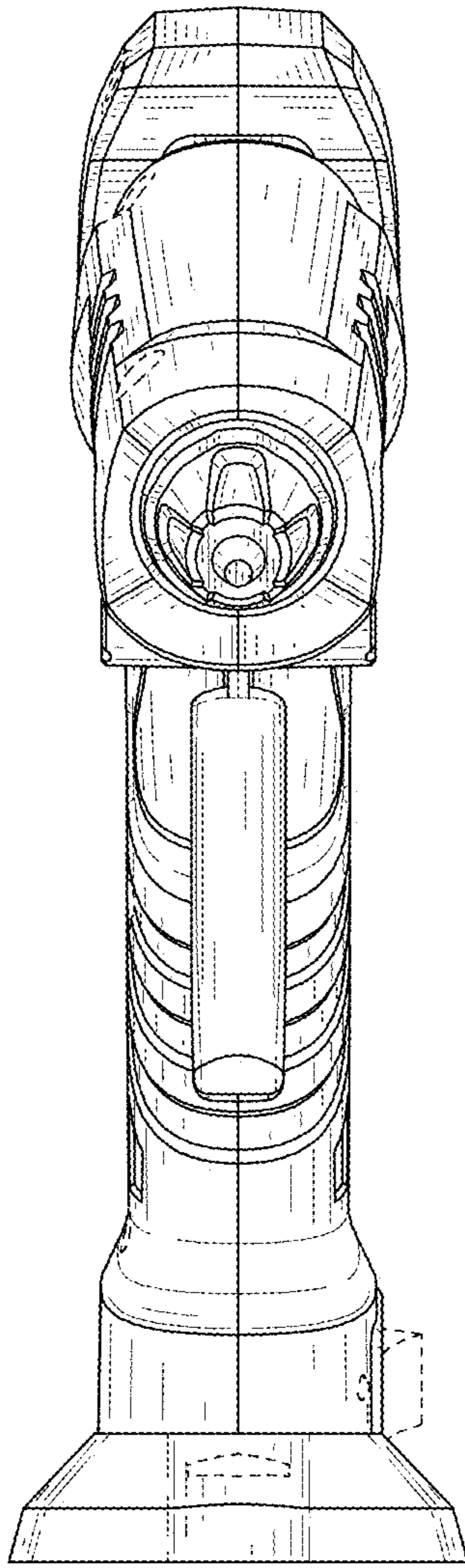


FIG. 5

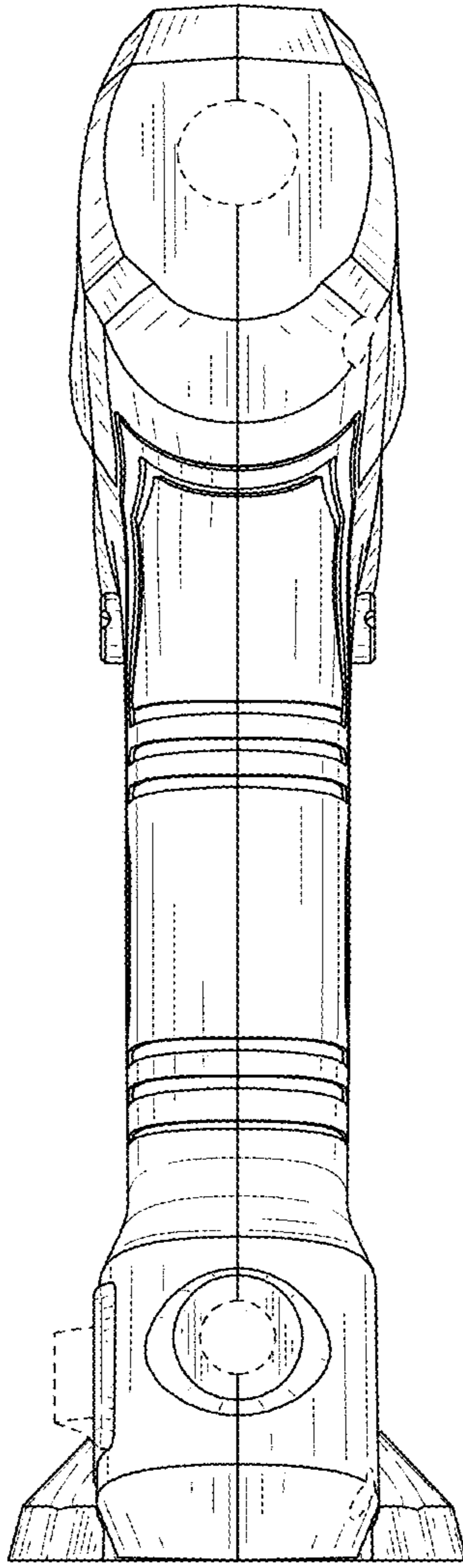


FIG. 6

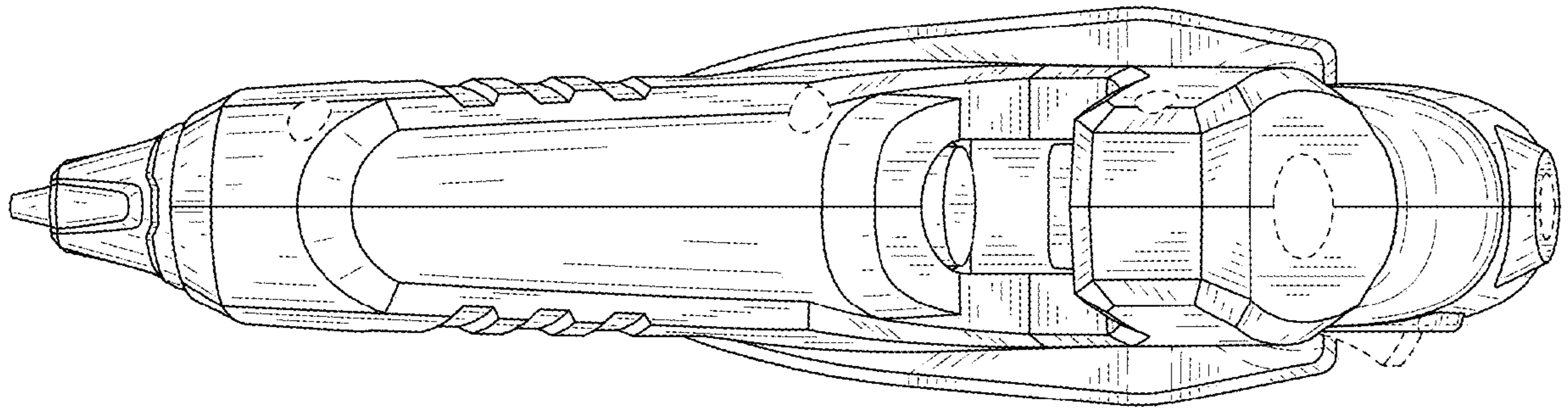


FIG. 7

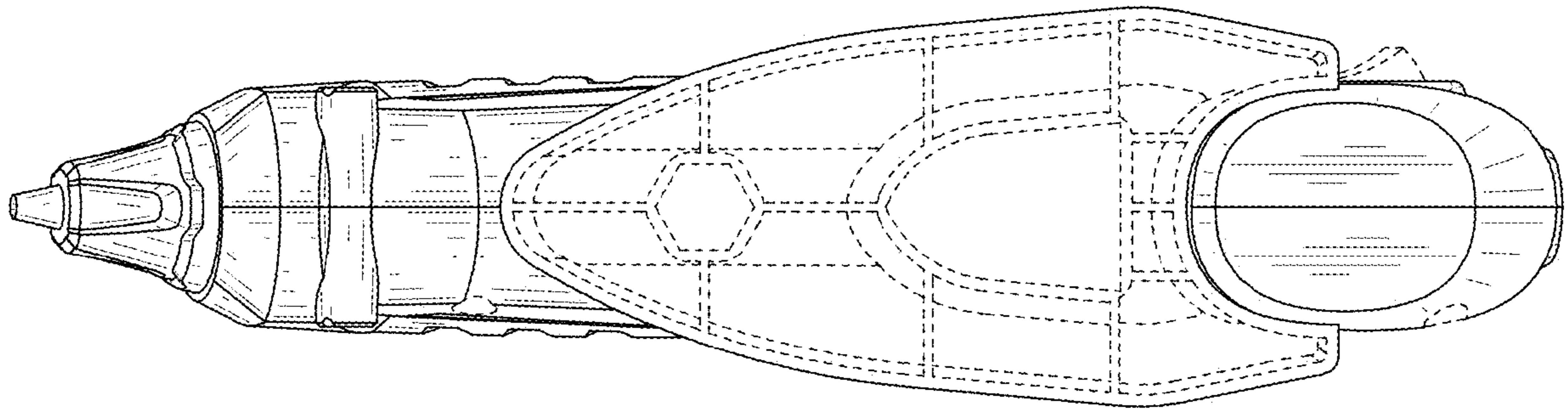


FIG. 8

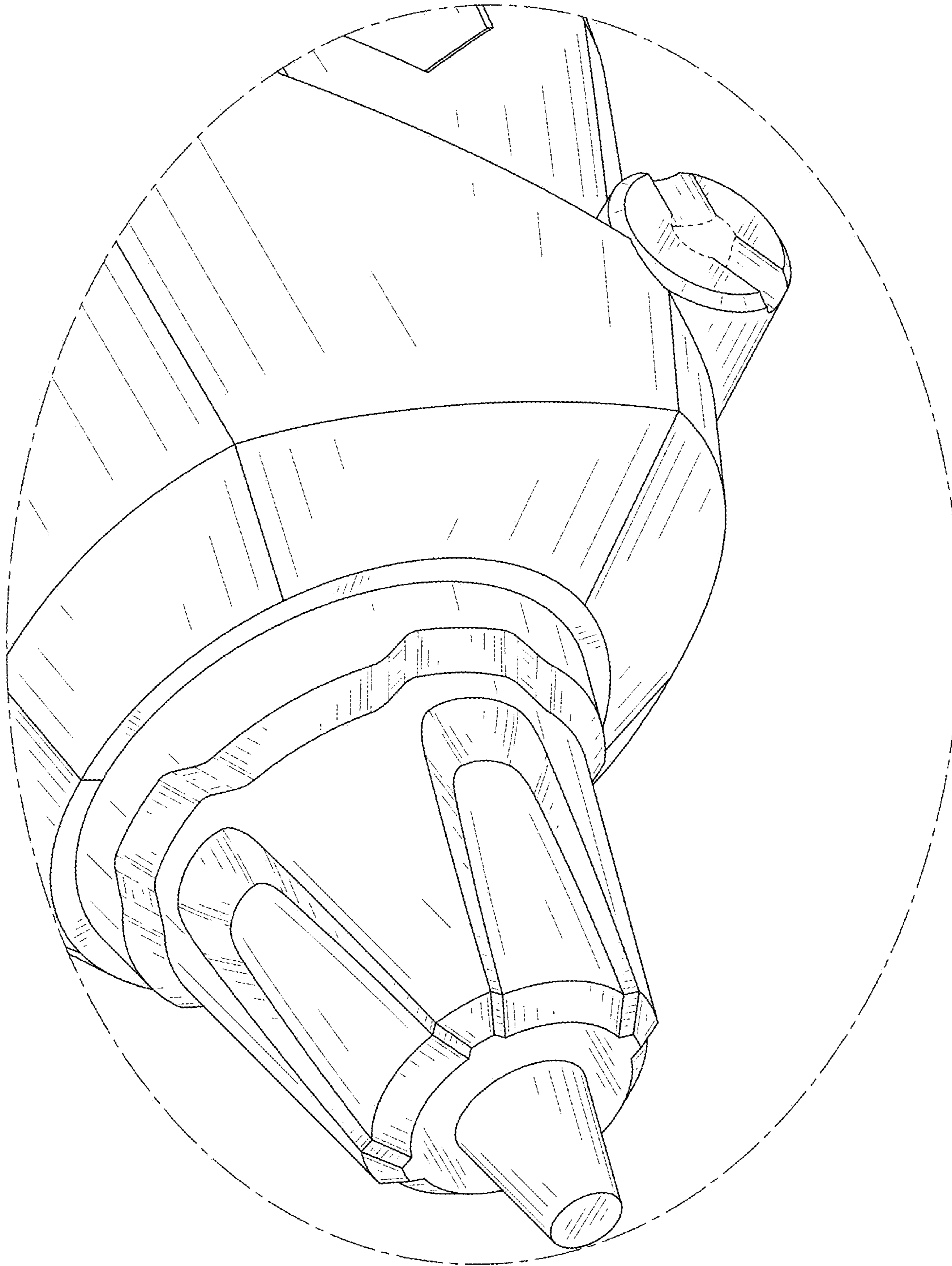


FIG. 9