



US00D984230S

(12) **United States Design Patent** (10) **Patent No.:** **US D984,230 S**  
**Li** (45) **Date of Patent:** **\*\* Apr. 25, 2023**

(54) **BRANCH CLIPPING MACHINE** 2005/0086813 A1\* 4/2005 Champlin ..... A01G 3/08  
30/296.1  
(71) Applicant: **Yagui Li**, Jinhua (CN) 2006/0048397 A1\* 3/2006 King ..... B25F 5/02  
30/296.1  
(72) Inventor: **Yagui Li**, Jinhua (CN) 2011/0107606 A1\* 5/2011 Shan ..... A01G 3/0255  
30/249  
(73) Assignee: **Yagui Li**, Jinhua (CN) 2017/0072584 A1\* 3/2017 Pellenc ..... B27B 17/02  
2017/0079215 A1\* 3/2017 Bian ..... B25G 1/04  
2018/0104809 A1\* 4/2018 Dyer ..... B27B 17/0016  
(\*\*) Term: **15 Years** 2020/0230798 A1\* 7/2020 Banholzer ..... B25F 5/02  
2020/0338711 A1\* 10/2020 Banholzer ..... F16C 3/03  
2021/0076572 A1\* 3/2021 Lam ..... A01G 3/0335  
(21) Appl. No.: **29/859,109** 2022/0161411 A1\* 5/2022 Sugiura ..... A01G 3/085

(22) Filed: **Nov. 7, 2022**  
(51) **LOC (14) Cl.** ..... **08-03**  
(52) **U.S. Cl.**  
USPC ..... **D8/7**  
(58) **Field of Classification Search**  
USPC ..... D8/1, 3, 6, 7, 9, 65  
CPC ..... A01G 3/08; A01G 3/085; A01G 3/037;  
A01G 3/053; A01G 3/033; A01G 3/06;  
A01G 3/0255; A01G 3/083  
See application file for complete search history.

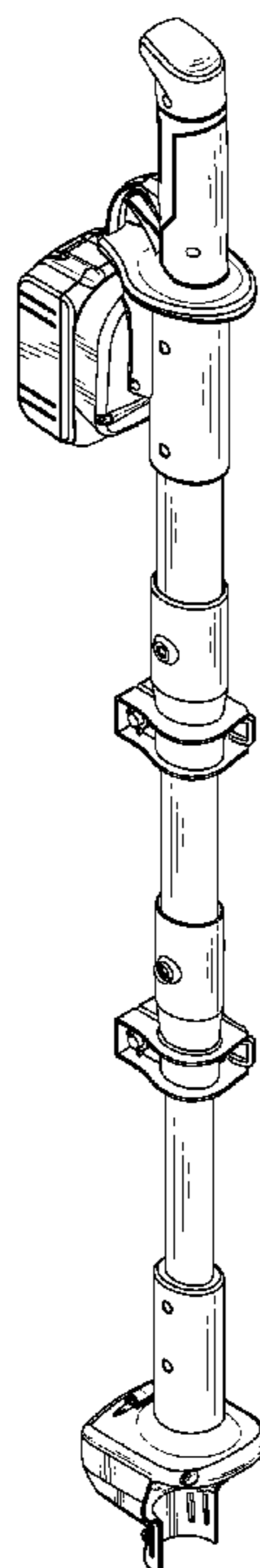
(56) **References Cited**  
**U.S. PATENT DOCUMENTS**  
4,654,971 A \* 4/1987 Fettes ..... B27B 17/0008  
30/296.1  
D321,816 S \* 11/1991 Fushiya ..... D8/7  
D600,517 S \* 9/2009 Tinius  
D732,358 S \* 6/2015 Tinius ..... D8/9  
9,198,347 B2 \* 12/2015 Nagahama ..... A01D 34/78  
D883,049 S \* 5/2020 Heine ..... D8/7  
2002/0017023 A1 \* 2/2002 Uhl ..... B27B 17/00  
30/123.4  
2002/0042997 A1 \* 4/2002 Uhl ..... B27B 17/00  
30/296.1

\* cited by examiner  
*Primary Examiner* — Lauren R Calve  
(74) *Attorney, Agent, or Firm* — Nitin Kaushik

(57) **CLAIM**  
The ornamental design for a branch clipping machine, as shown and described.

**DESCRIPTION**  
FIG. 1 is a front perspective view of a branch clipping machine, showing my new design;  
FIG. 2 is a rear perspective view thereof;  
FIG. 3 is a front view thereof;  
FIG. 4 is a rear view thereof;  
FIG. 5 is a left side view thereof;  
FIG. 6 is a right side view thereof;  
FIG. 7 is a top view thereof; and,  
FIG. 8 is a bottom view thereof.  
The broken lines in the drawings illustrate the portions of the branch clipping machine, which form no part of the claimed design.

**1 Claim, 8 Drawing Sheets**



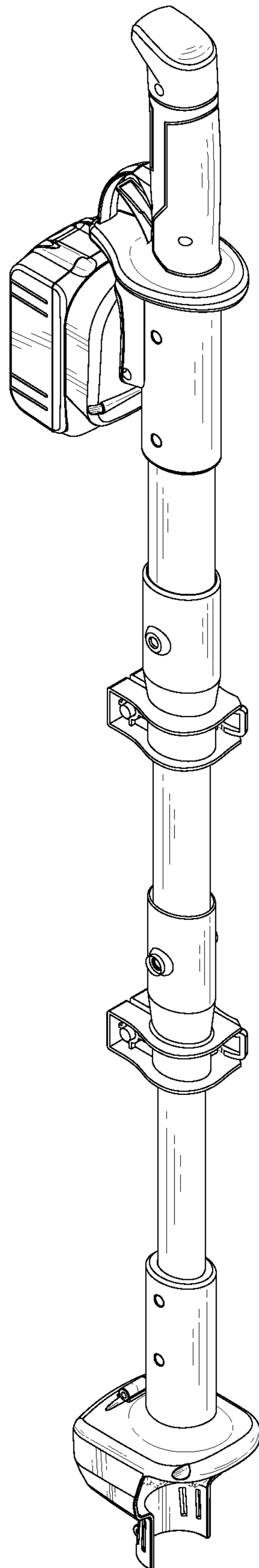


FIG. 1

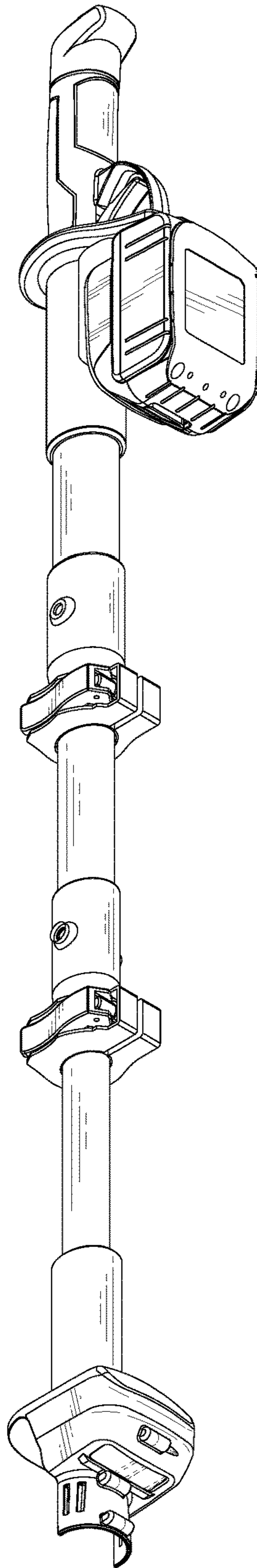


FIG. 2

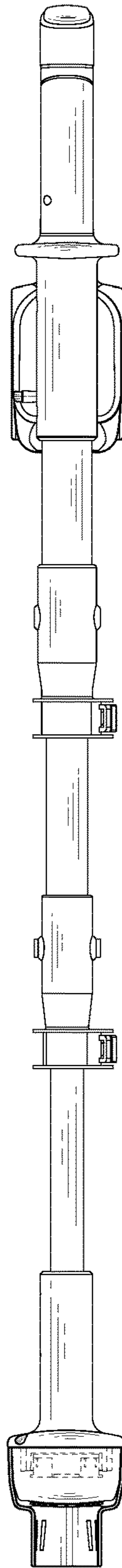


FIG. 3

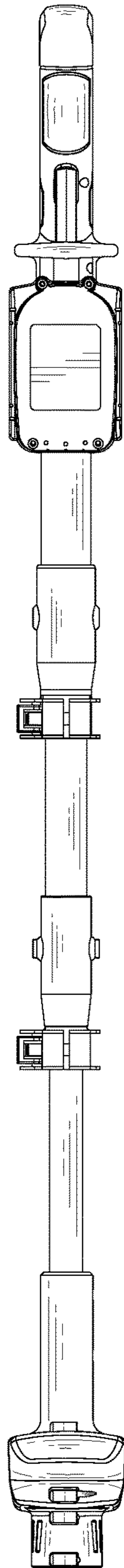


FIG. 4

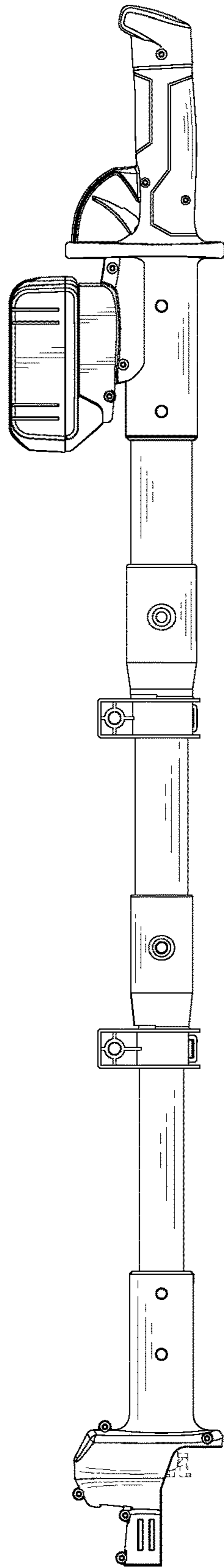


FIG. 5

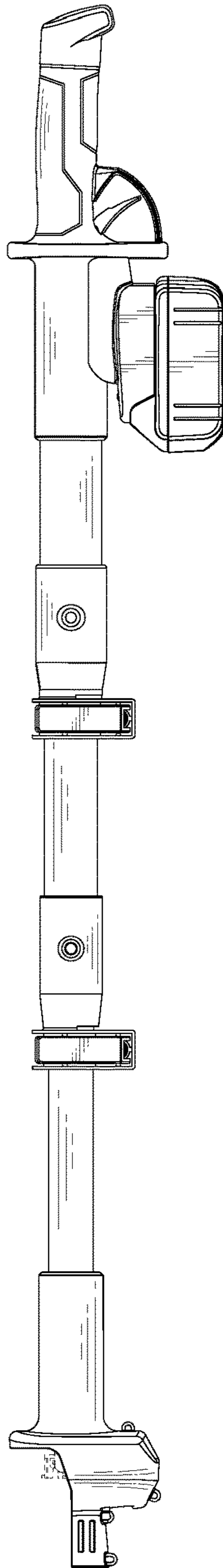


FIG. 6

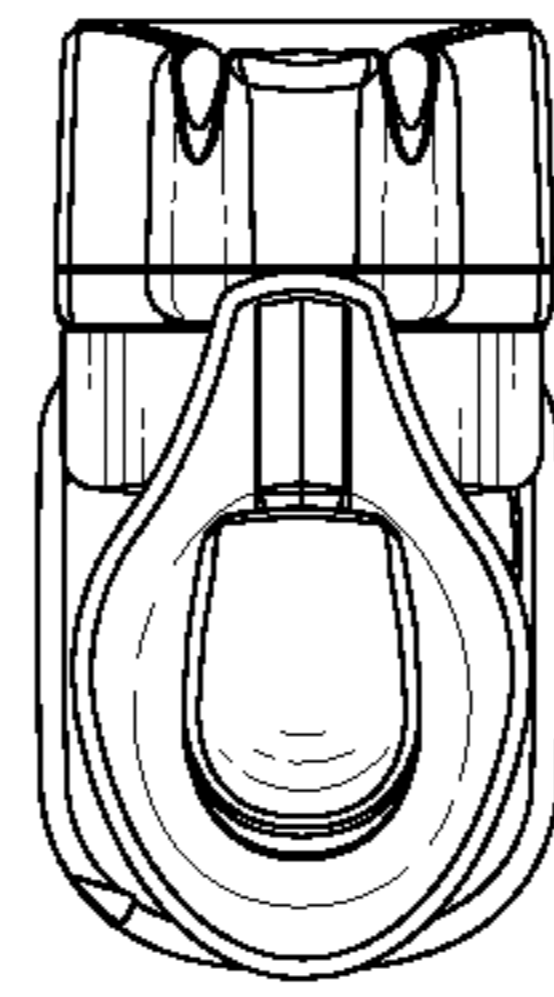


FIG. 7



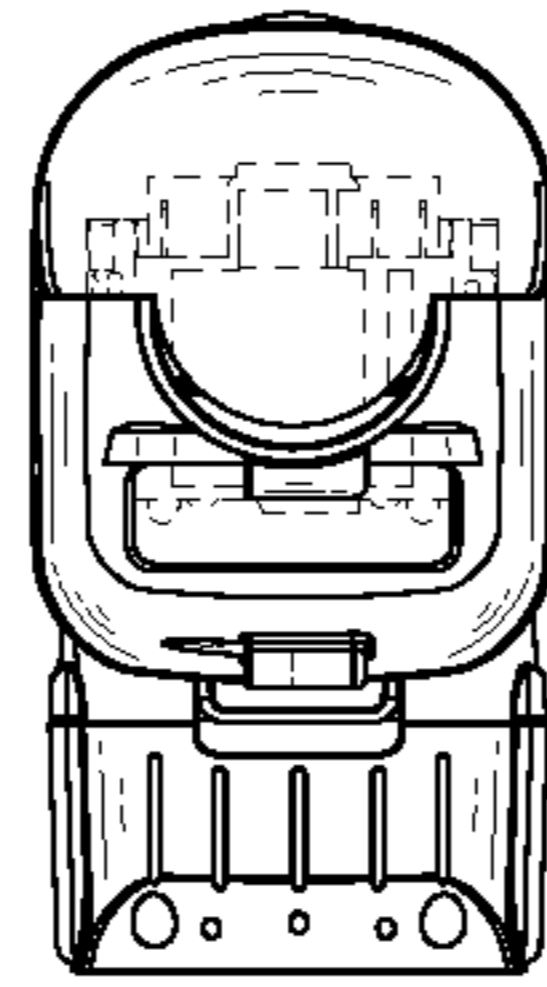


FIG. 8