



US00D984229S

(12) **United States Design Patent**
Smith, Sr.

(10) **Patent No.:** **US D984,229 S**

(45) **Date of Patent:** **** Apr. 25, 2023**

- (54) **CHRISTMAS TREE WATERING DEVICE**
- (71) Applicant: **Russell S. Smith, Sr.**, Bonita Springs, FL (US)
- (72) Inventor: **Russell S. Smith, Sr.**, Bonita Springs, FL (US)
- (**) Term: **15 Years**
- (21) Appl. No.: **29/692,863**
- (22) Filed: **May 29, 2019**
- (51) **LOC (14) Cl.** **08-01**
- (52) **U.S. Cl.**
USPC **D8/1**
- (58) **Field of Classification Search**
USPC D8/1; D9/711, 713; D11/121, 143, 149, D11/152, 155, 164; D25/100, 48.8; D6/675.2; D26/85
CPC .. A01G 13/04; A01G 13/043; A01G 13/0243; A01G 13/0281; A01G 27/02; A47G 7/085
See application file for complete search history.

- D680,827 S * 4/2013 Cetera A47G 33/0881 D7/700
- D715,606 S * 10/2014 West A01G 27/006 D8/1
- D800,519 S * 10/2017 Muriithi D8/1
- D804,918 S * 12/2017 Lipford A47G 33/0881 D8/1
- D834,299 S * 11/2018 Van Langen D11/152

* cited by examiner

Primary Examiner — Calvin E Vansant

(74) *Attorney, Agent, or Firm* — Andrew S. Rapacke

(57) **CLAIM**

The ornamental design for a Christmas tree watering device, as shown and described.

DESCRIPTION

FIG. 1 is a perspective view of the Christmas tree watering device, showing the new design;

FIG. 2 is a front elevational view of the Christmas tree watering device thereof;

FIG. 3 is a bottom plan view of the Christmas tree watering device thereof;

FIG. 4 is a top plan view of the Christmas tree watering device thereof; and,

FIG. 5 is an environmental view of the Christmas tree watering device thereof.

The rear elevational view of the Christmas tree watering device is a mirror image of the front elevational view of the Christmas tree watering device shown in FIG. 2.

The right side elevational view of the Christmas tree watering device is a mirror image of the front elevational view of the Christmas tree watering device shown in FIG. 2.

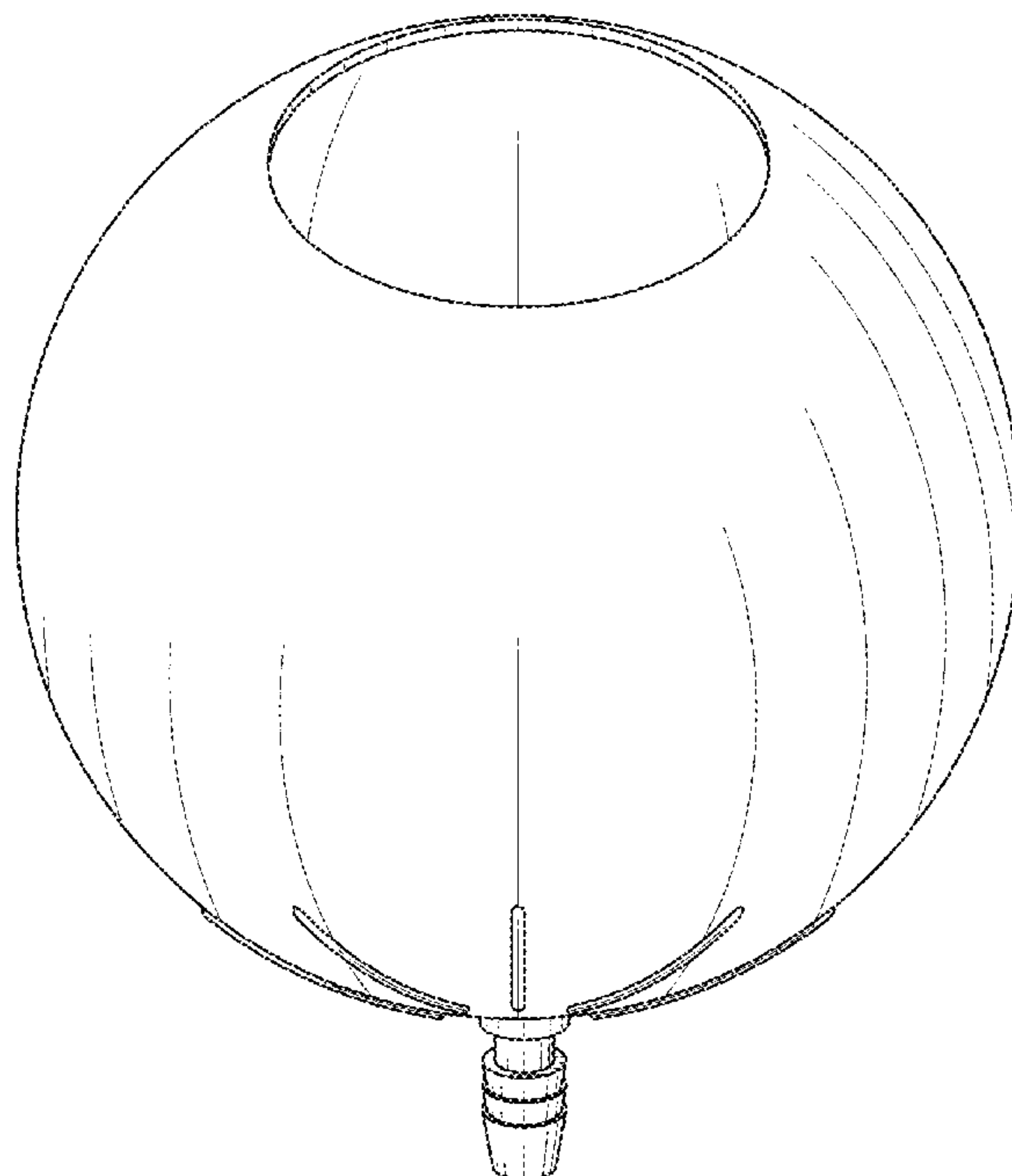
The broken lines depict portions of the Christmas tree watering device that form no part of the claim design.

(56) **References Cited**

U.S. PATENT DOCUMENTS

- D375,878 S * 11/1996 Morris D7/700
- 5,615,516 A * 4/1997 Brown A47G 33/0881 428/11
- D379,908 S * 6/1997 Thaler D8/1
- 5,867,929 A * 2/1999 Jung A01G 27/006 47/79
- D427,028 S * 6/2000 Zinger D8/1
- 6,073,390 A * 6/2000 Baudier A47G 33/0881 47/40.5
- 6,167,651 B1 * 1/2001 Luddy A01G 27/005 47/40.5
- D465,388 S * 11/2002 Rhea D8/1

1 Claim, 4 Drawing Sheets



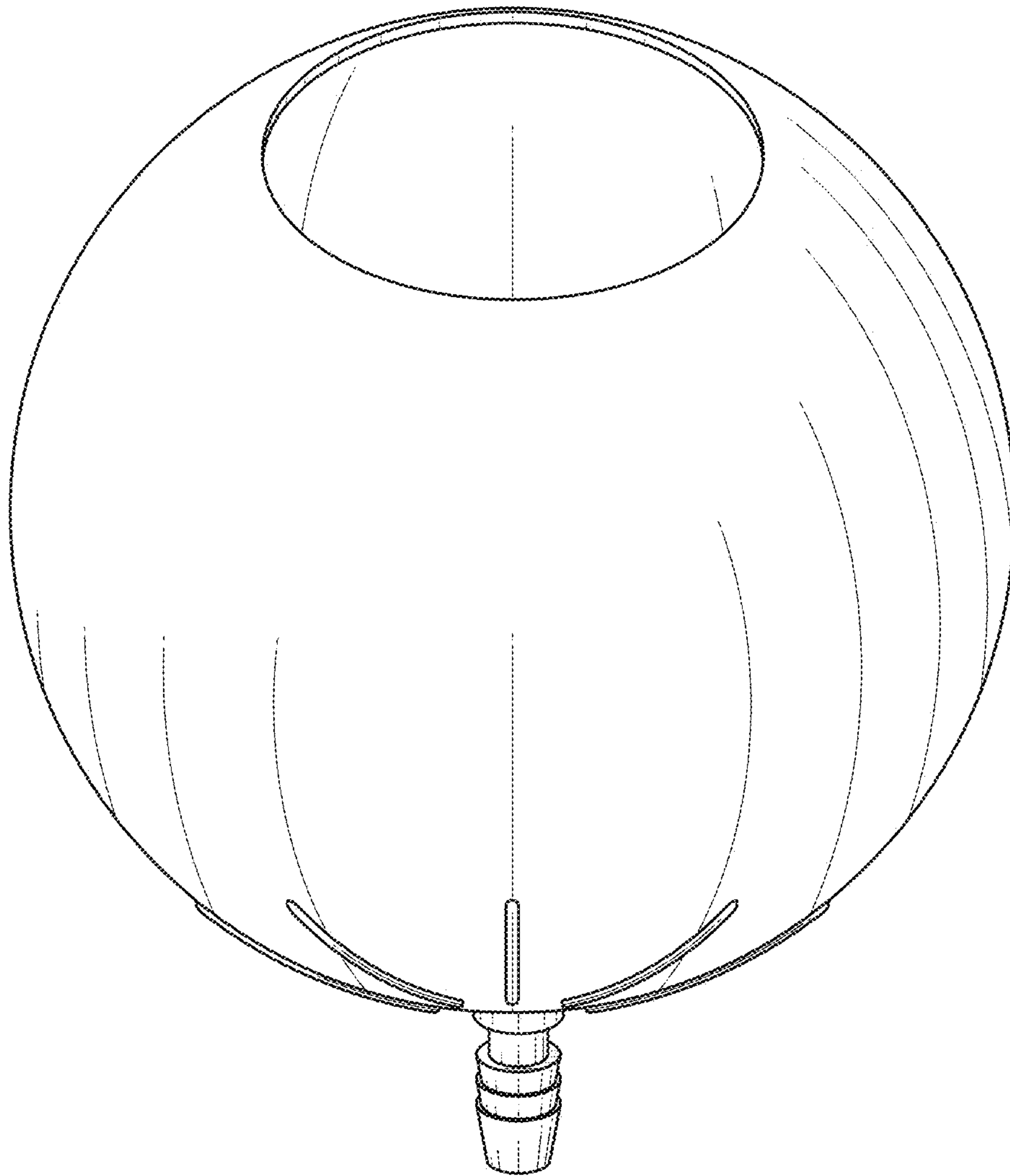


FIG. 1

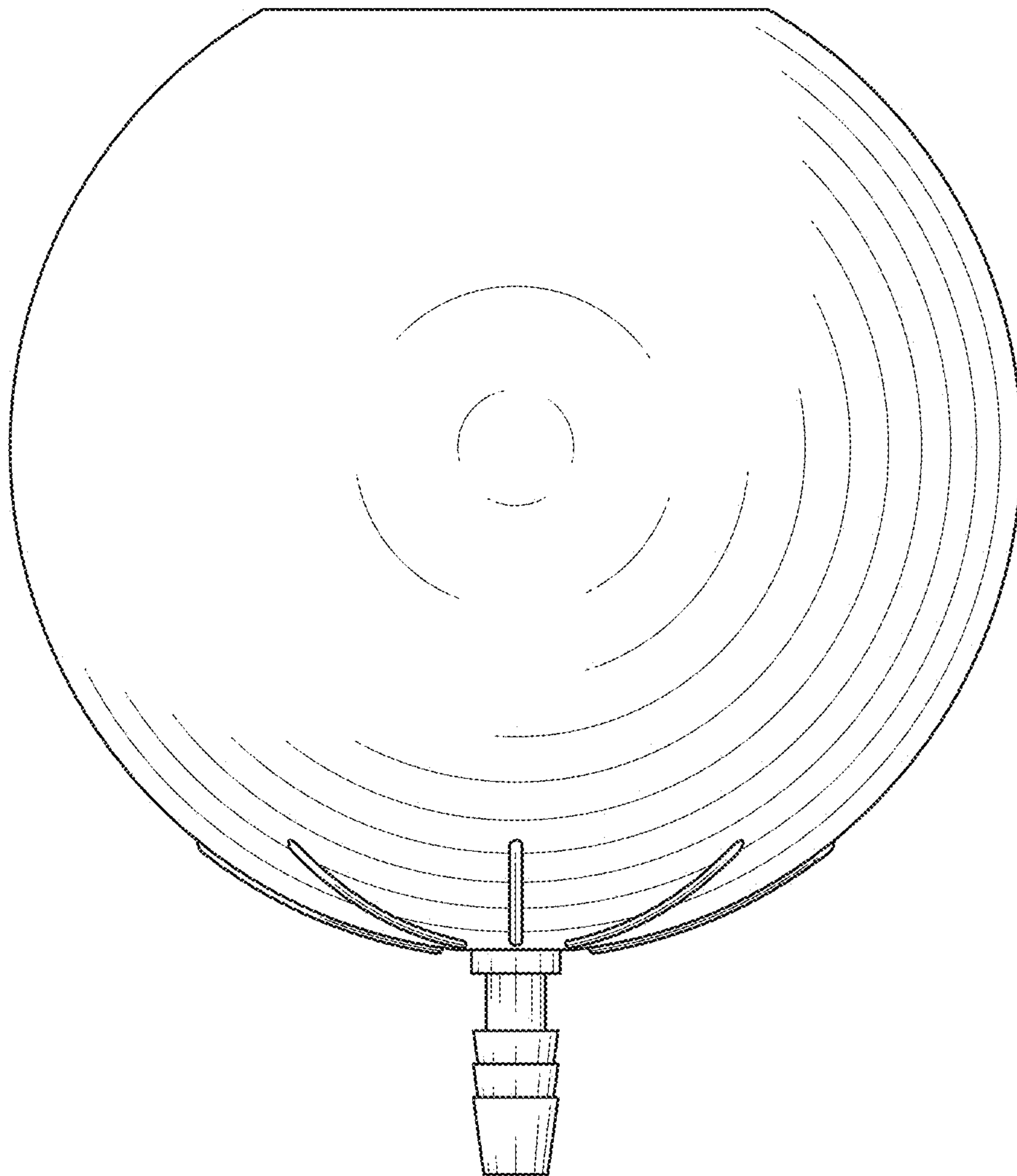


FIG. 2

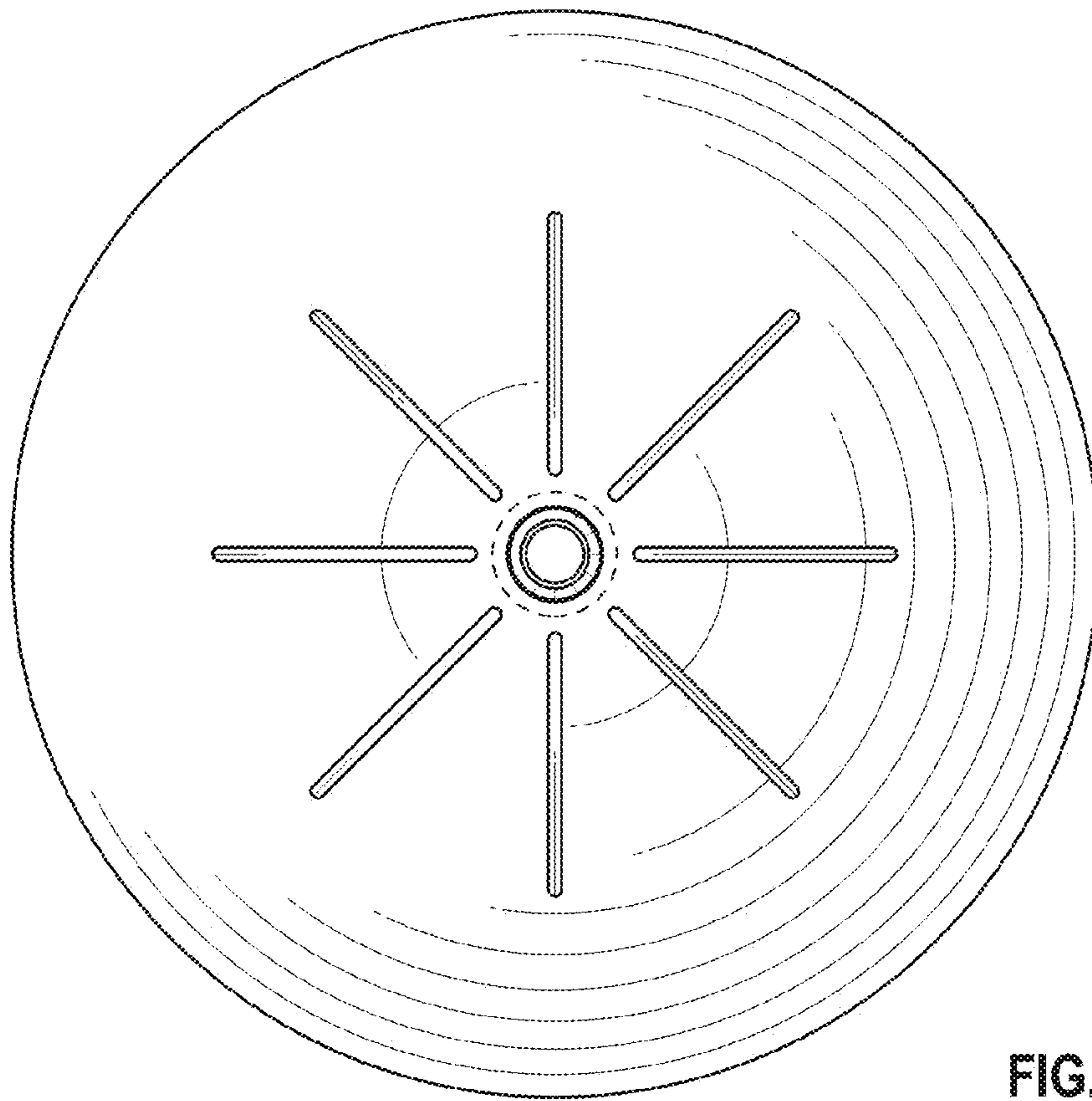


FIG. 3

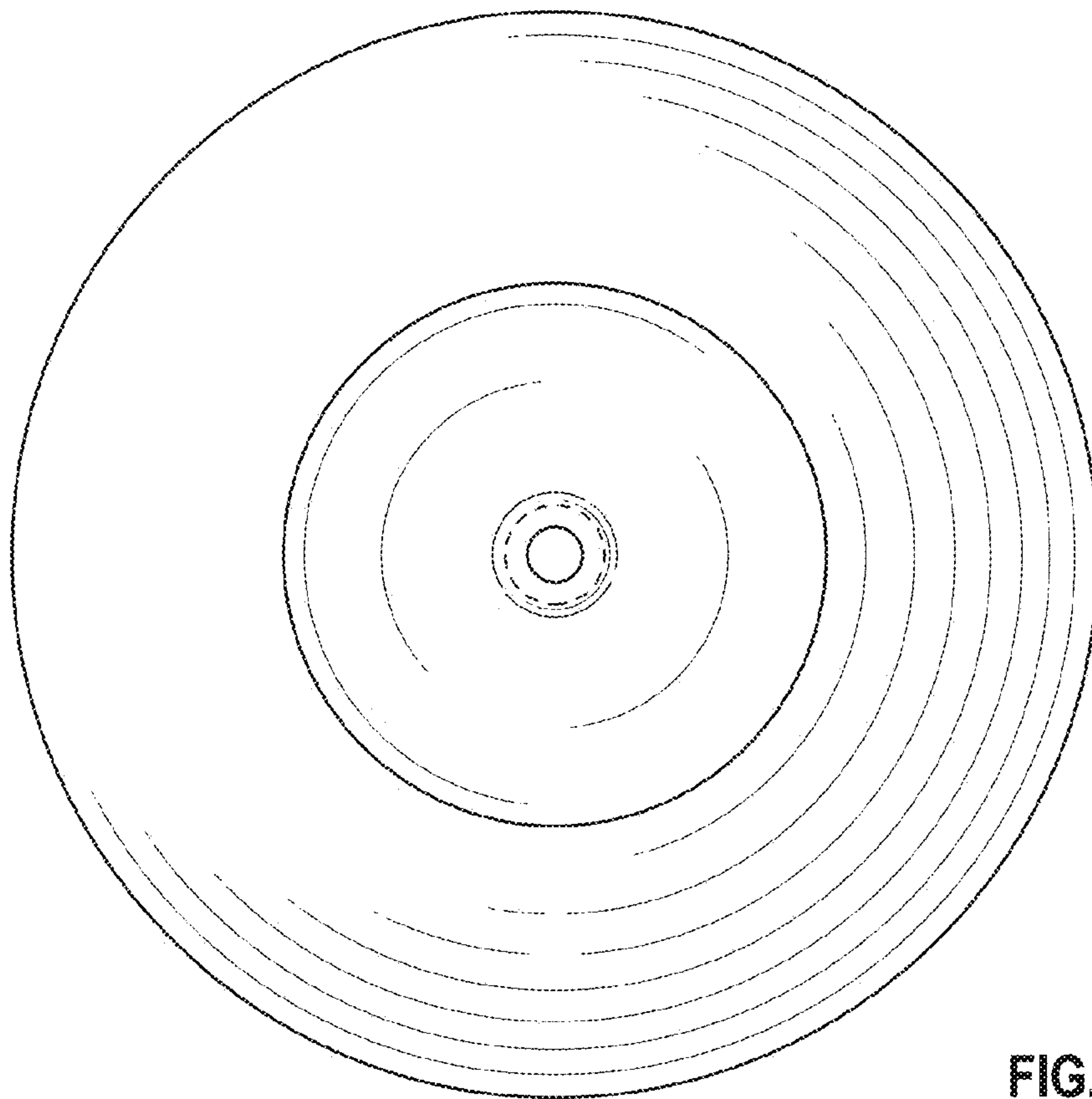


FIG. 4

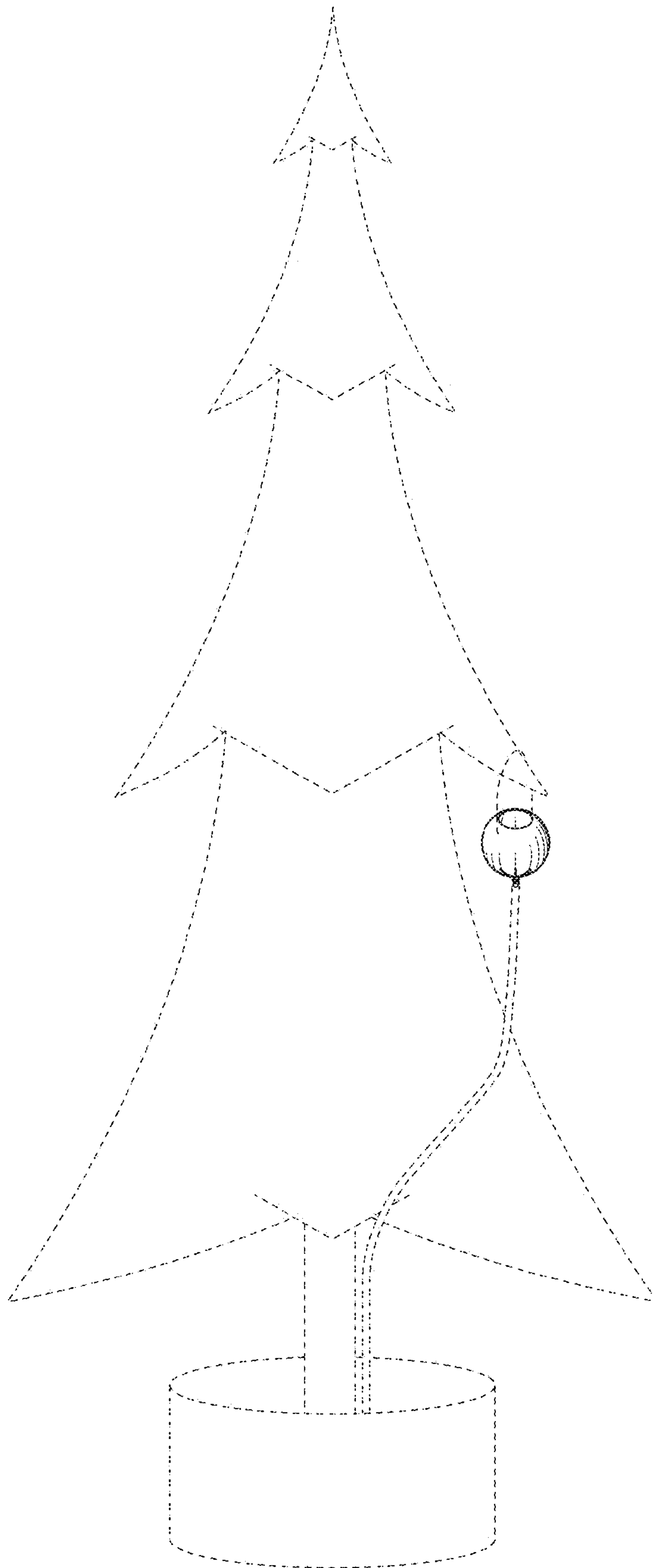


FIG. 5