



US00D984228S

(12) **United States Design Patent** (10) **Patent No.:** **US D984,228 S**  
**Cai** (45) **Date of Patent:** **\*\* Apr. 25, 2023**

(54) **LUNCH BOX FOR KIDS**

(71) Applicant: **Ni Cai**, Shantou (CN)

(72) Inventor: **Ni Cai**, Shantou (CN)

(73) Assignee: **Ni Cai**, Shantou (CN)

(\*\*) Term: **15 Years**

(21) Appl. No.: **29/851,394**

(22) Filed: **Aug. 29, 2022**

(51) **LOC (14) Cl.** ..... **07-01**

(52) **U.S. Cl.**  
USPC ..... **D7/709**; D7/629; D7/703

(58) **Field of Classification Search**  
USPC ..... D7/605, 607, 701, 703, 629, 630, 709;  
D3/287, 276, 289, 283, 272-274, 201,  
D3/203.1-203.8  
CPC ..... A45C 11/20; A45C 11/00; A45C 13/02;  
B65D 25/04; B65D 25/06; B65D 77/08;  
B65D 43/14; B65D 43/16; B65D 1/24;  
B65D 1/36; B65D 81/3813; B65D  
81/3825; A47G 23/04; A45F 3/46

See application file for complete search history.

(56) **References Cited**

**U.S. PATENT DOCUMENTS**

4,346,813	A *	8/1982	Cho	.....	B65D 25/04 220/660
D472,774	S *	4/2003	Pelstring	.....	D7/629
9,414,701	B1 *	8/2016	Yen	.....	B65D 43/16
D953,129	S	5/2022	Swartz et al.		
2010/0224531	A1 *	9/2010	Claffy	.....	A47G 23/06 206/561
2010/0308039	A1 *	12/2010	Miros	.....	B65D 45/16 220/553
2011/0114526	A1 *	5/2011	Neumann	.....	A45C 11/20 206/459.5
2013/0180217	A1 *	7/2013	Brubaker	.....	A45C 11/20 220/592.01

2014/0299505	A1 *	10/2014	Stahle	.....	A45C 11/00 53/473
2014/0345314	A1 *	11/2014	Cox	.....	A45F 3/46 220/592.2
2019/0375551	A1 *	12/2019	Bell	.....	B65D 25/06

**OTHER PUBLICATIONS**

Amazon.com, Mataidee Bento Box Lunch Box for Kids, ASIN: B09GVINFJC6, 14 pages, date first available Sep. 22, 2021 (Year: 2021).\*

Amazon.com, Lehoo Castle, Bento Lunch Box for Kids with 5 Compartments, ASIN: B0B4G5W1ZX, 12 pages, date first available Jun. 8, 2022 (Year: 2022).\*

\* cited by examiner

*Primary Examiner* — Terry A Wallace

(74) *Attorney, Agent, or Firm* — Nitin Kaushik

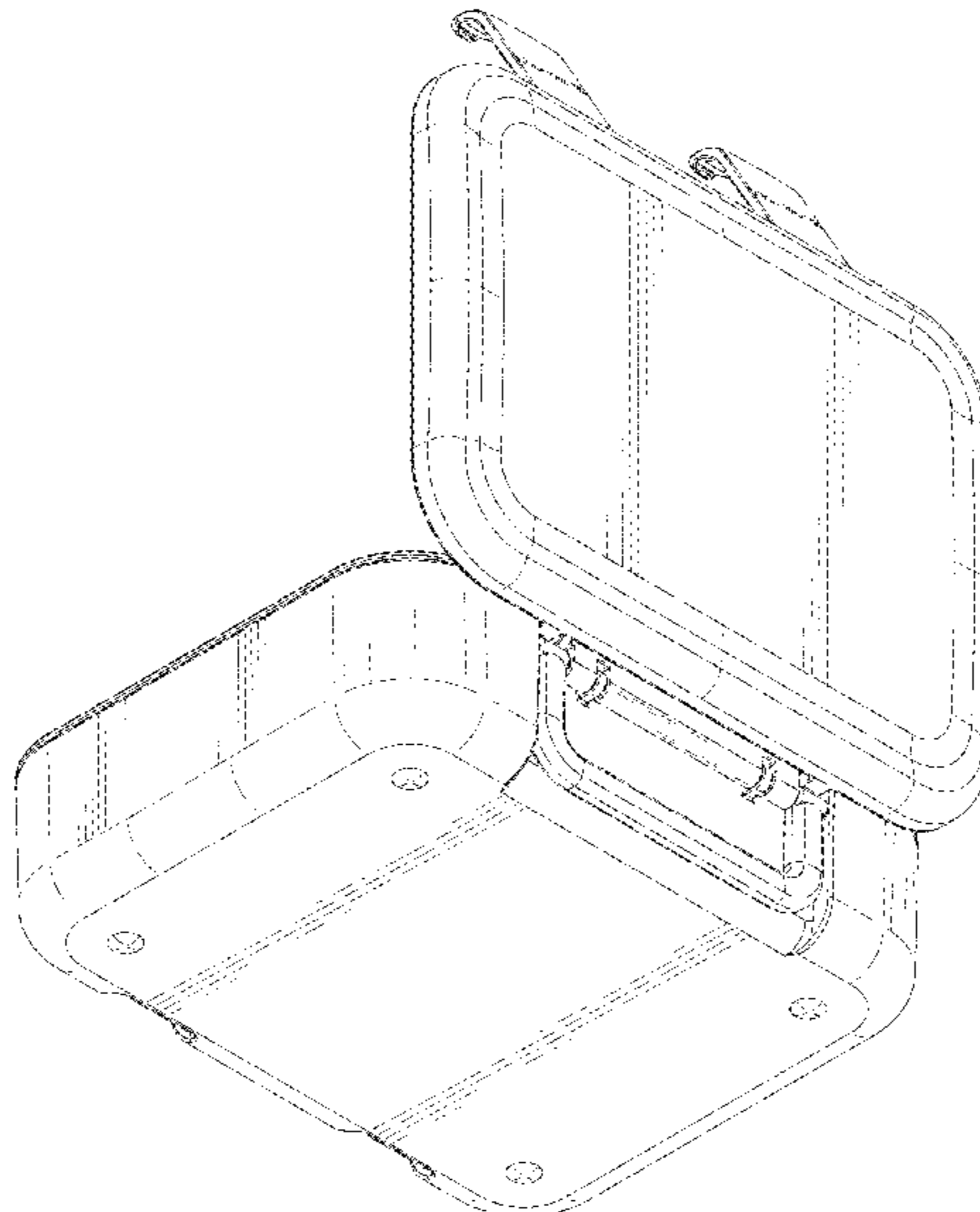
(57) **CLAIM**

The ornamental design for a lunch box for kids, as shown and described.

**DESCRIPTION**

FIG. 1 is a top perspective view of a lunch box for kids, showing my new design;  
FIG. 2 is a bottom perspective view thereof;  
FIG. 3 is the top perspective view of its folded state;  
FIG. 4 is the bottom perspective view of its folded state;  
FIG. 5 is a front view thereof;  
FIG. 6 is a rear view thereof;  
FIG. 7 is a left side view thereof;  
FIG. 8 is a right side view thereof;  
FIG. 9 is a top view thereof; and,  
FIG. 10 is a bottom view thereof.  
The broken lines in the drawings illustrate the portions of the lunch box for kids, which form no part of the claimed design.

**1 Claim, 10 Drawing Sheets**



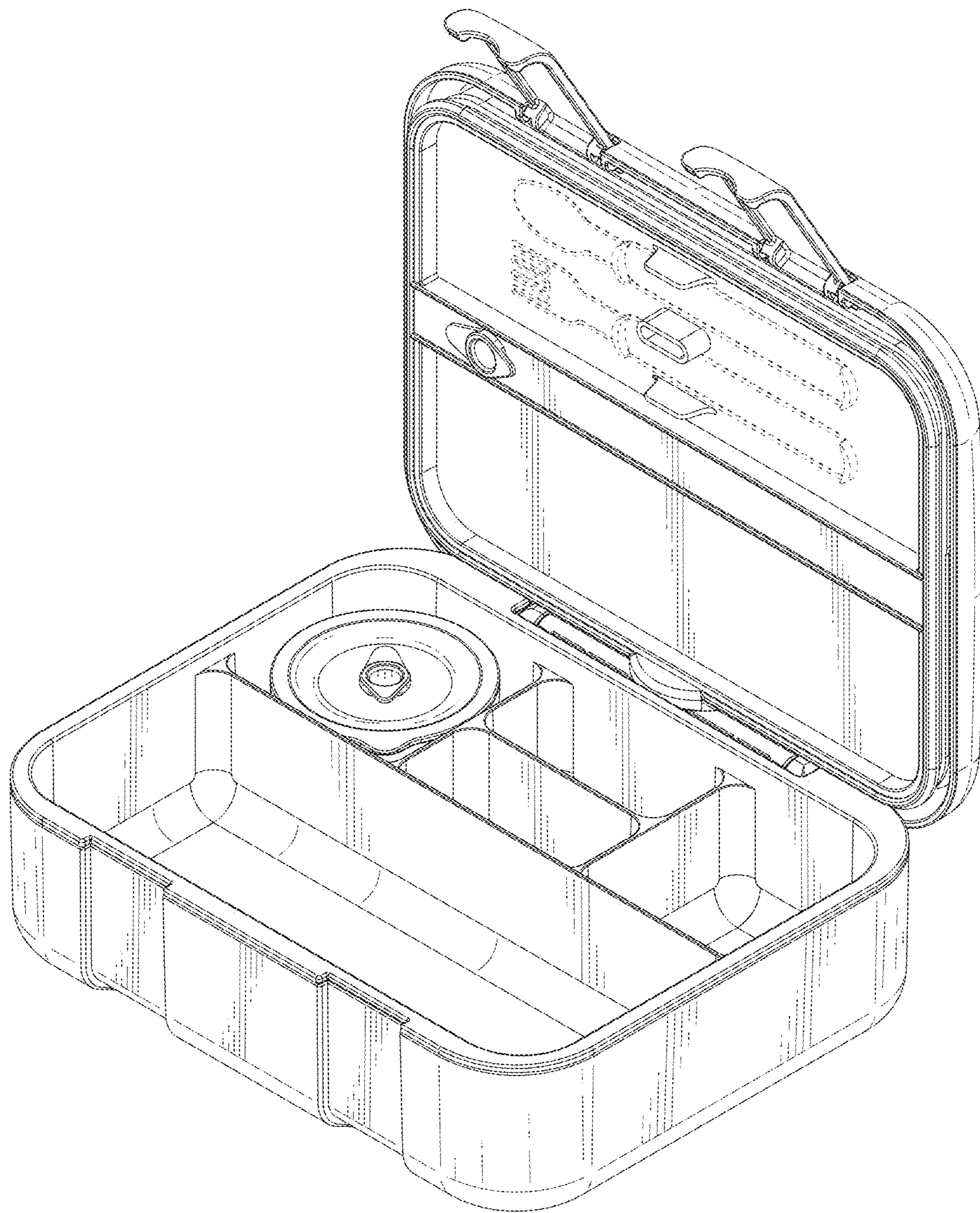


FIG. 1

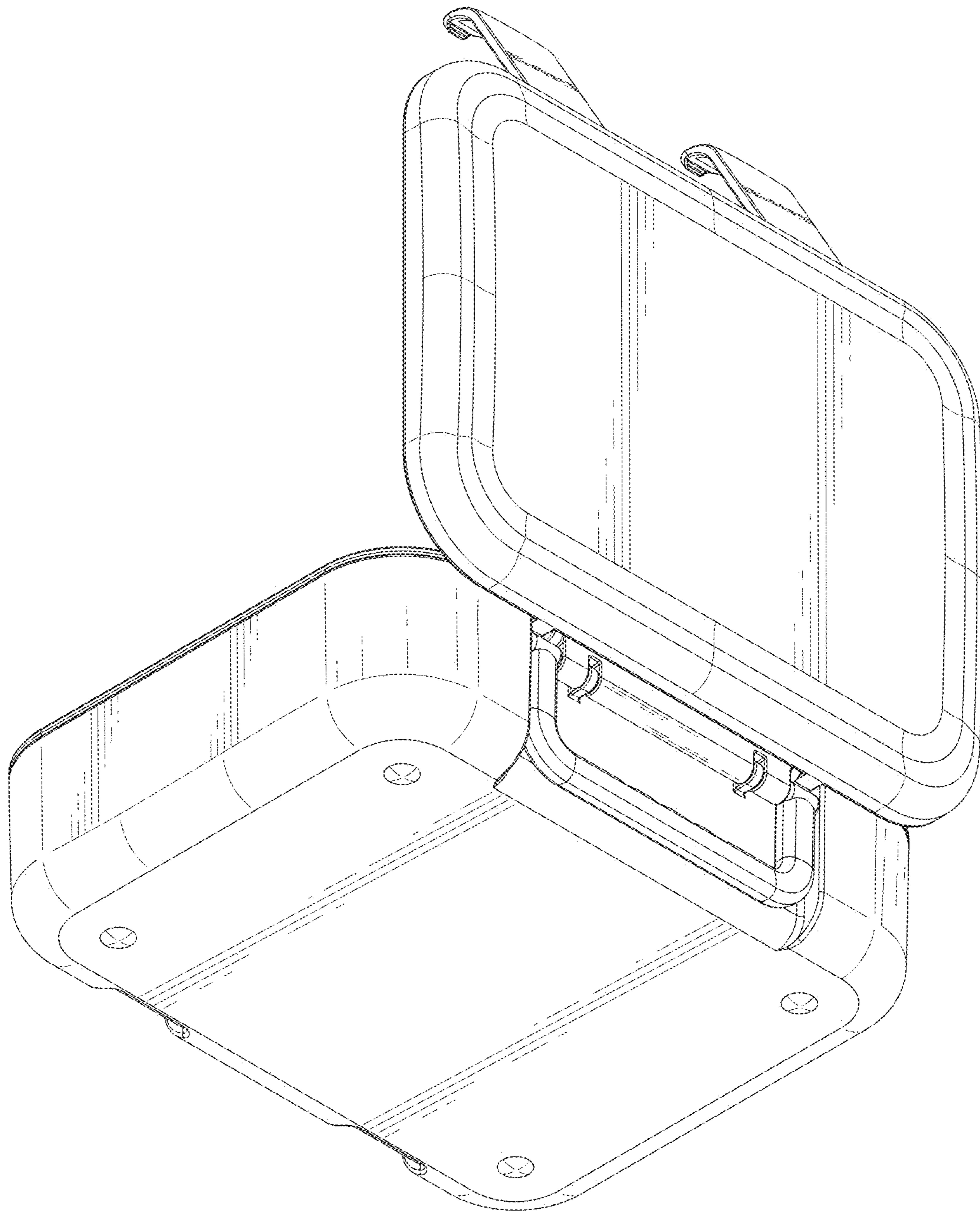


FIG. 2

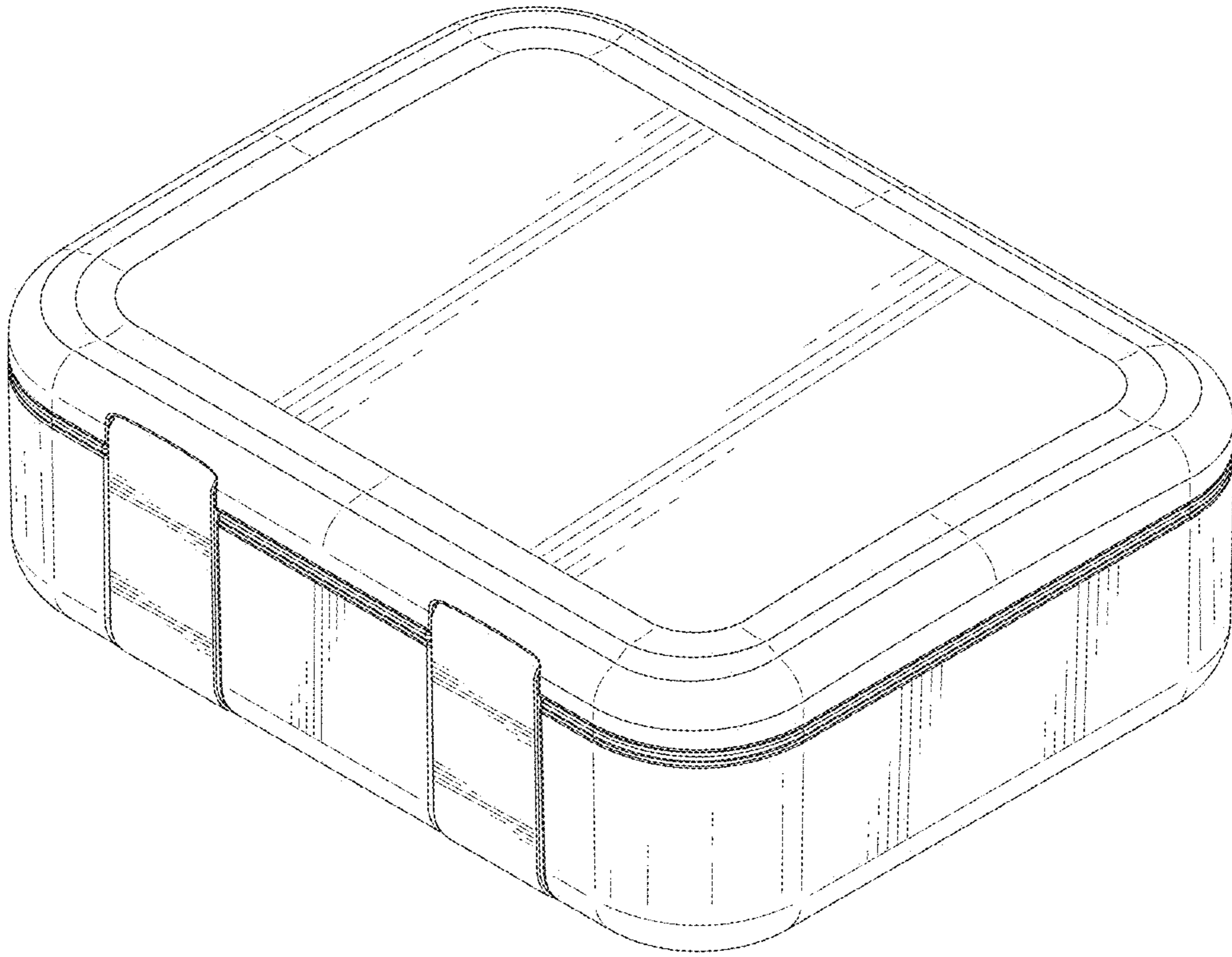


FIG. 3

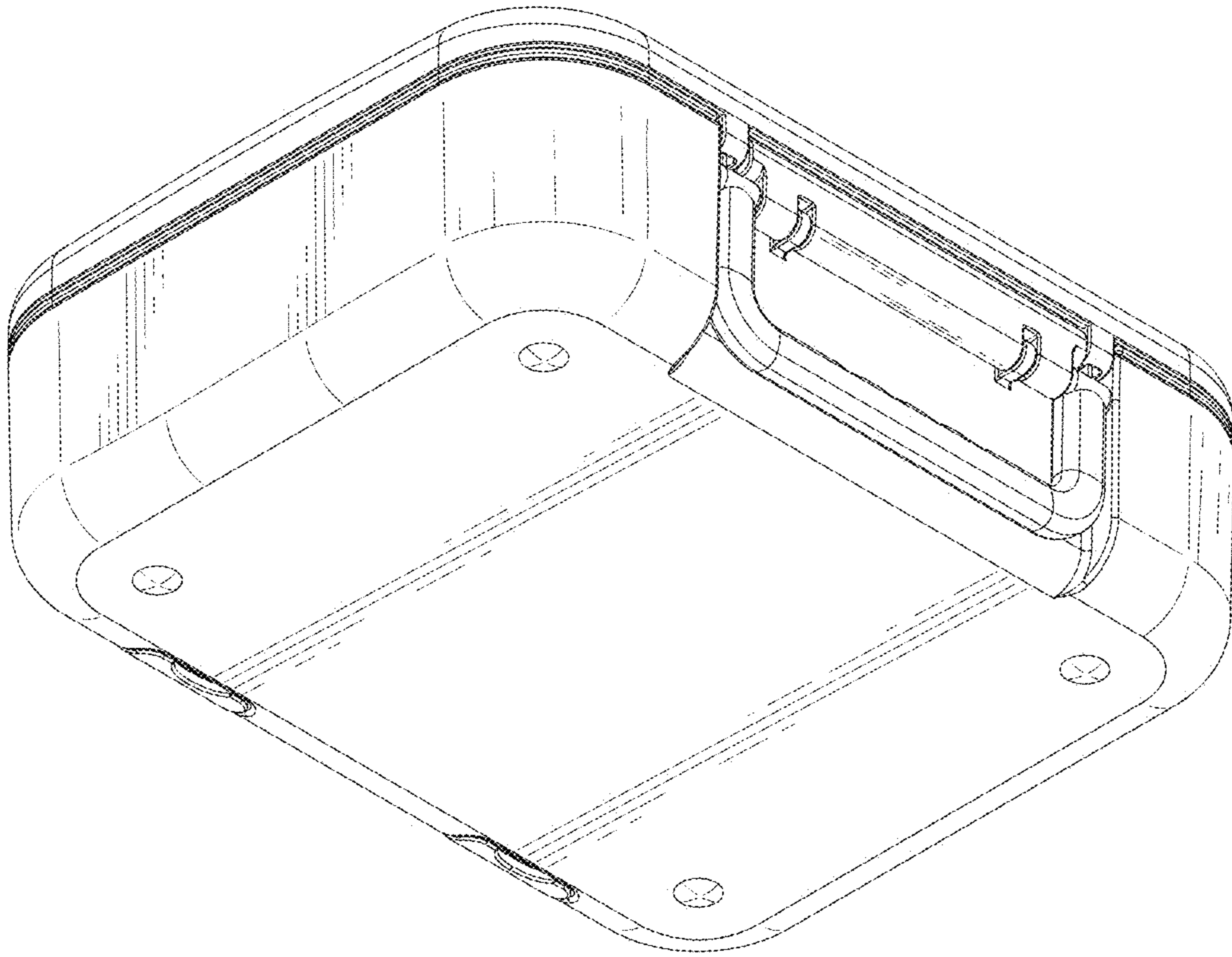


FIG. 4

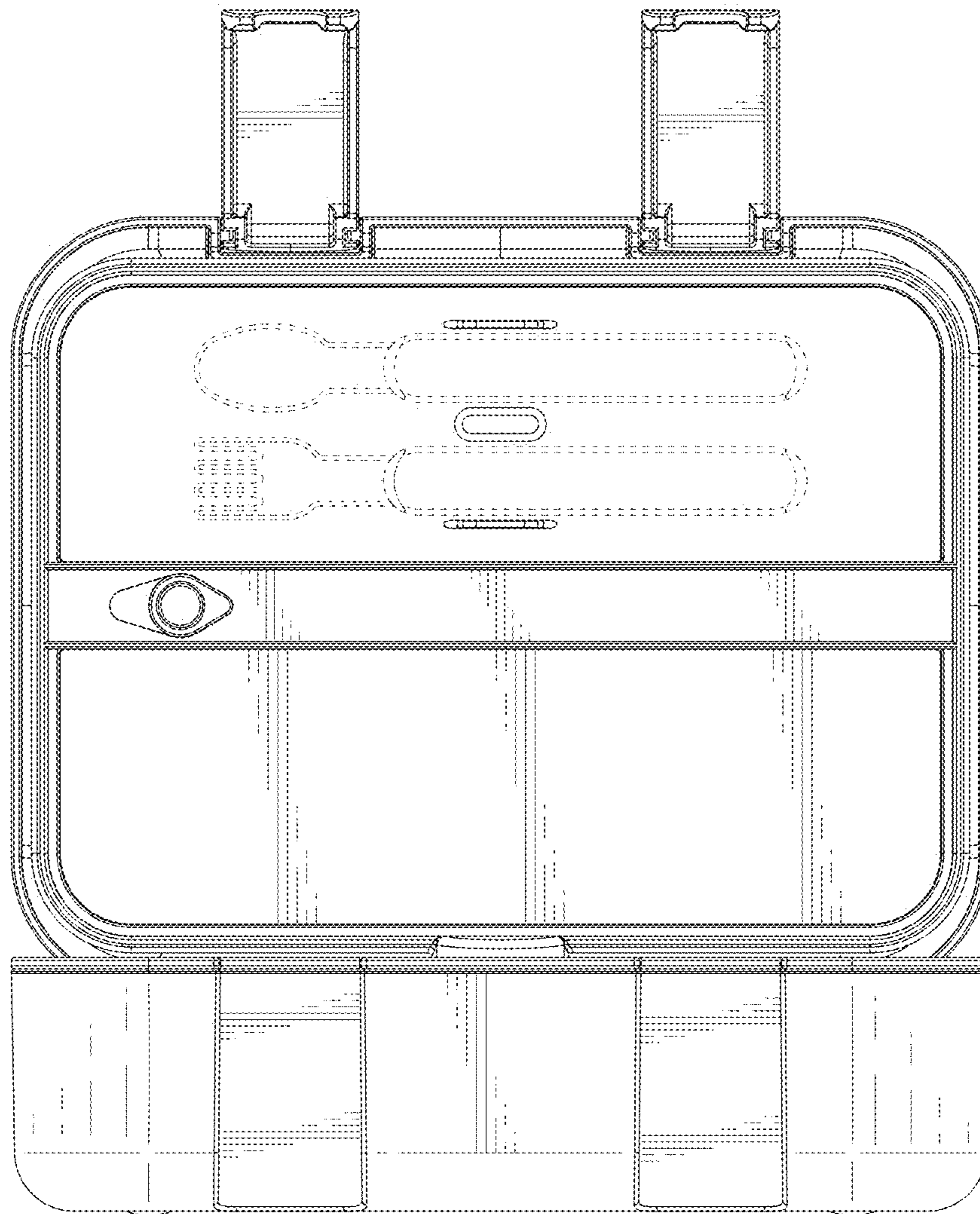


FIG. 5

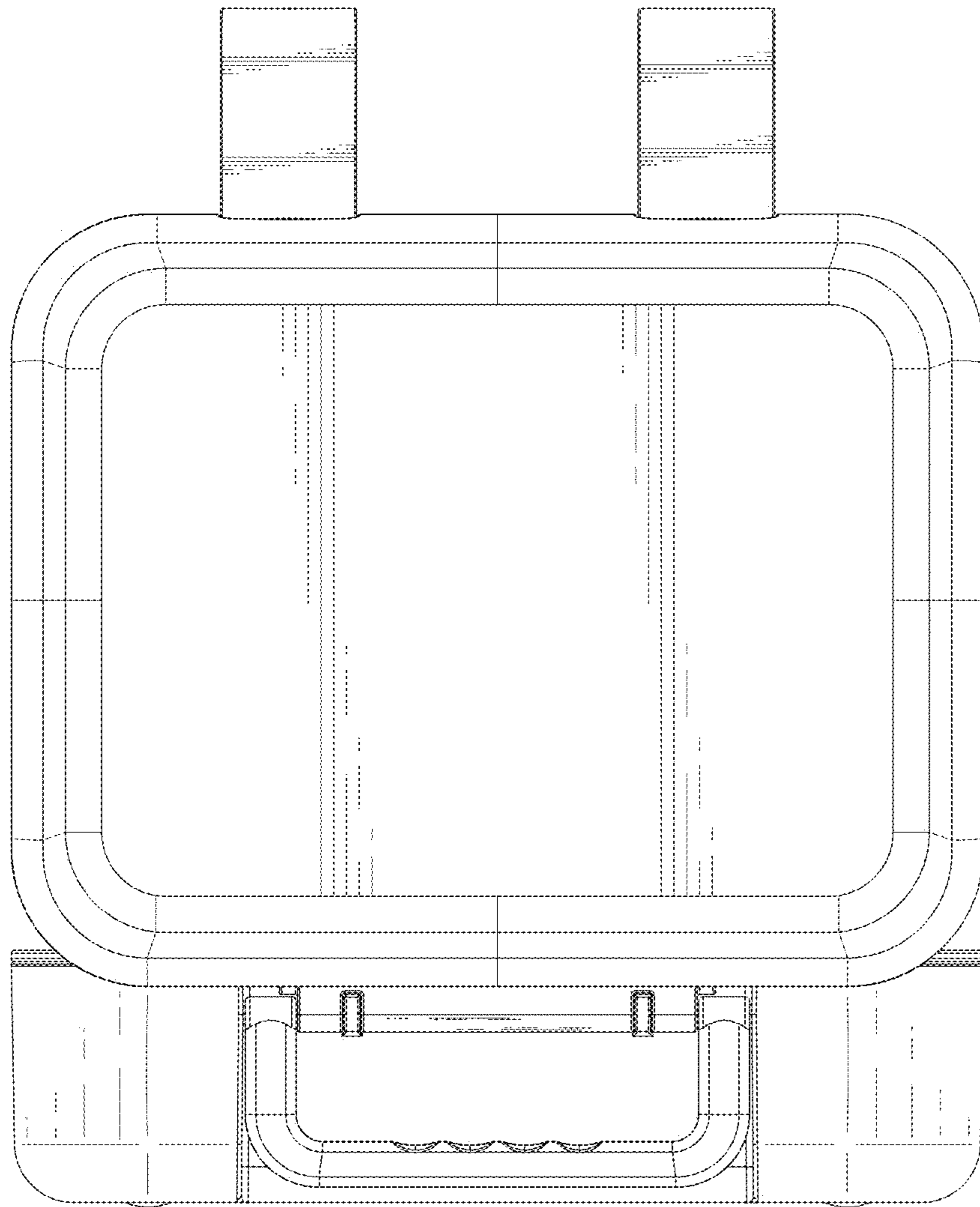


FIG. 6

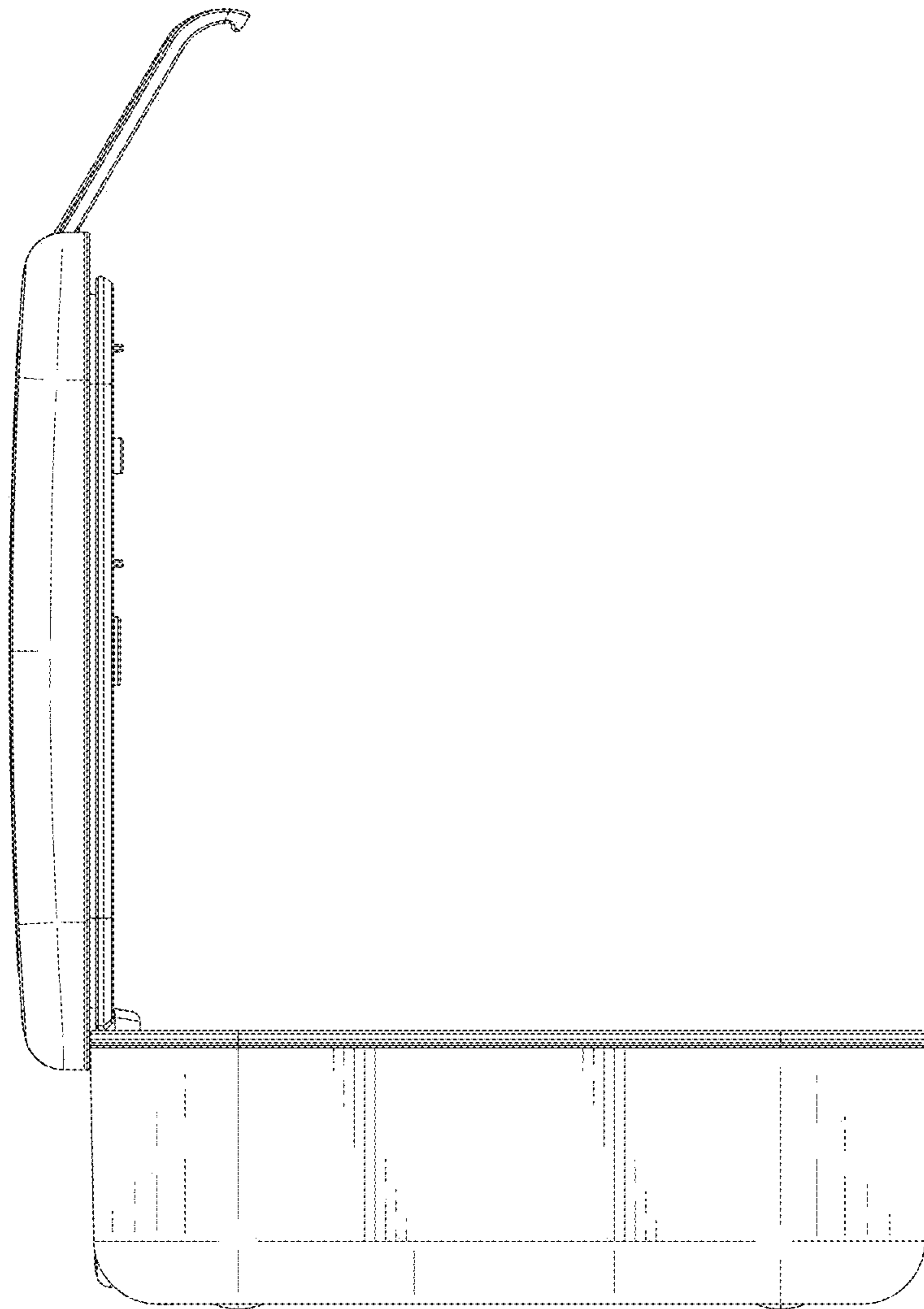


FIG. 7



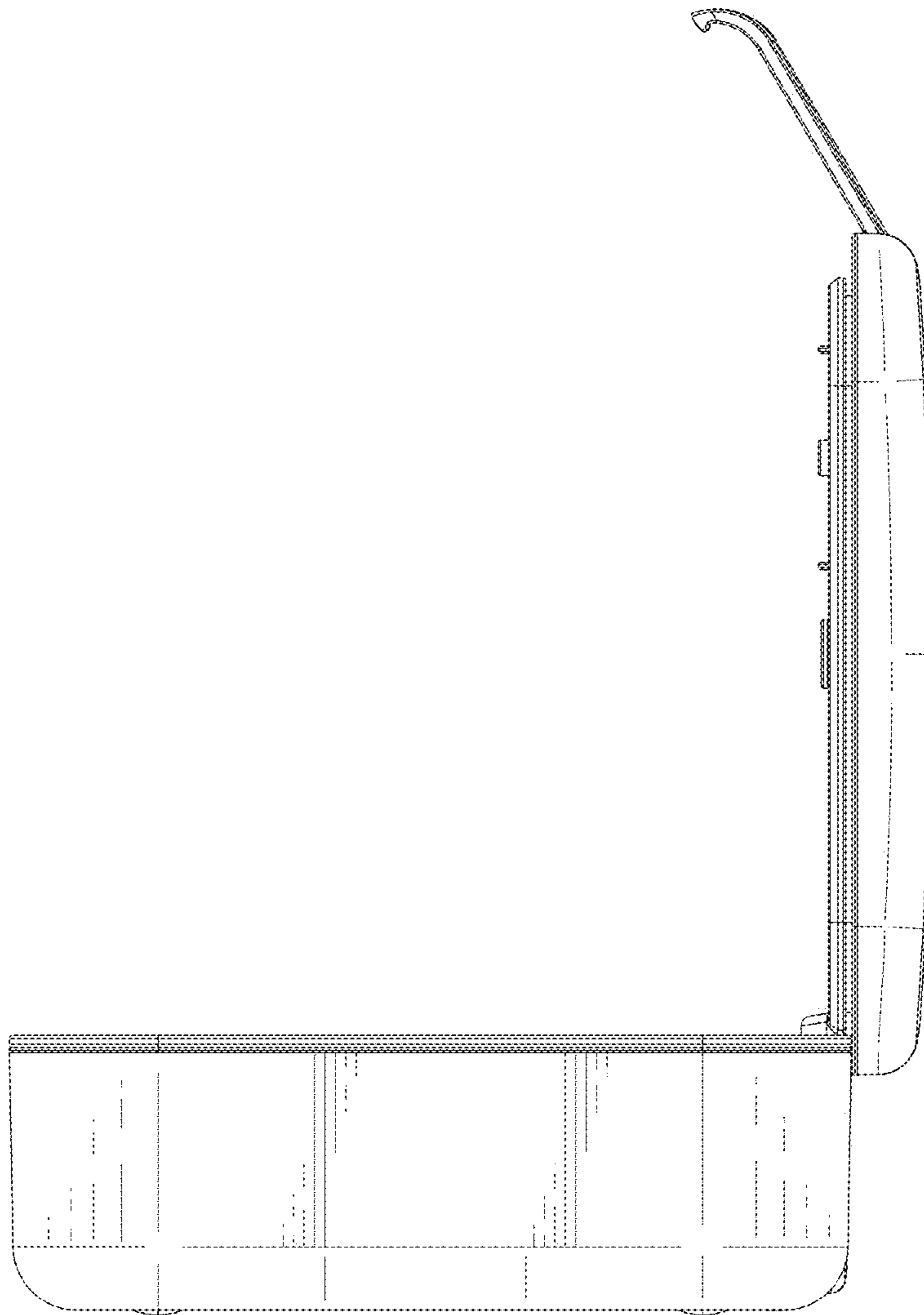


FIG. 8

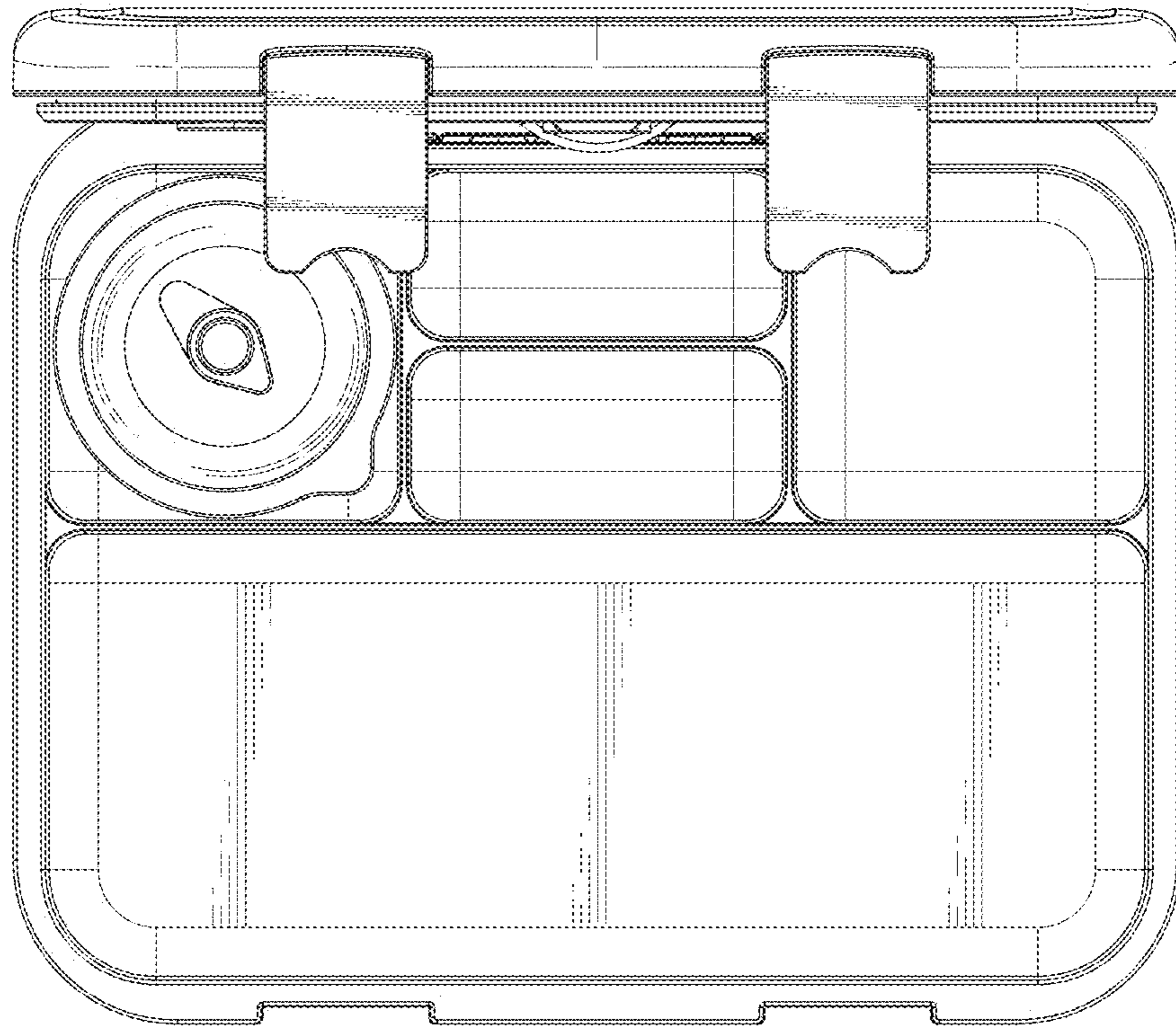


FIG. 9

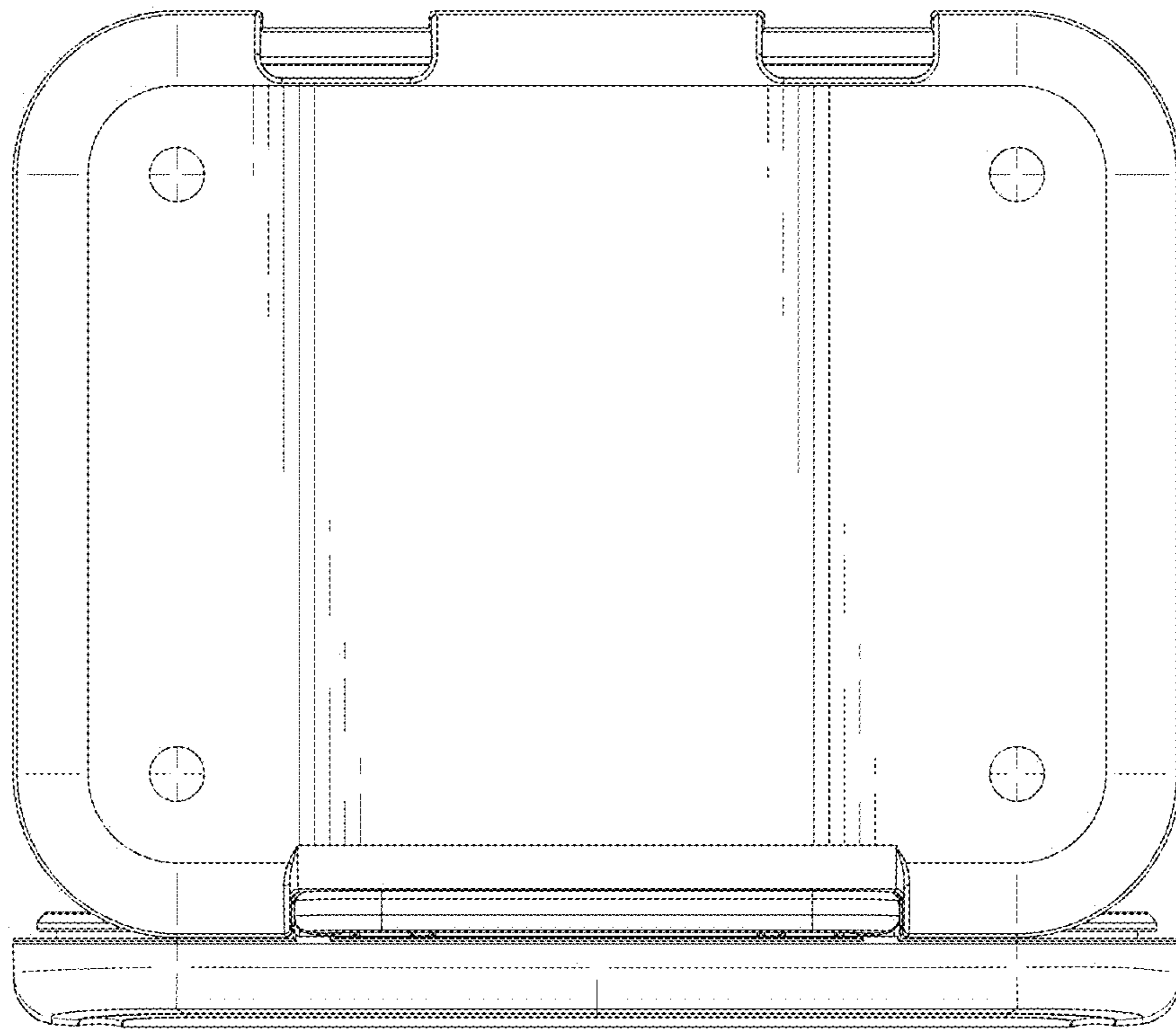


FIG. 10