



US00D984225S

(12) **United States Design Patent**  
**Taylor**

(10) **Patent No.:** **US D984,225 S**

(45) **Date of Patent:** **\*\* Apr. 25, 2023**

(54) **SPOON HOLDER**

(71) Applicant: **Shawn R. Taylor**, New Orleans, LA  
(US)

(72) Inventor: **Shawn R. Taylor**, New Orleans, LA  
(US)

(\*\*) Term: **15 Years**

(21) Appl. No.: **29/747,554**

(22) Filed: **Aug. 24, 2020**

**Related U.S. Application Data**

(63) Continuation-in-part of application No. 16/542,459,  
filed on Aug. 16, 2019.

(51) **LOC (14) Cl.** ..... **07-09**

(52) **U.S. Cl.**  
USPC ..... **D7/637**

(58) **Field of Classification Search**  
USPC ..... D3/201, 273, 274, 294; D7/354, 361,  
D7/393, 396.1, 401.2, 586, 601, 632, 637,  
D7/638, 639, 640, 641, 642, 653  
CPC ..... A45F 5/00; A47G 21/14; A47G 21/04;  
A47G 21/06; A47G 21/023; A47G 21/02;  
A47G 21/145; A47J 47/16; A47J 43/287;  
A47J 43/28; A47J 43/288; A47J 45/10;  
A47J 37/0786; A47J 45/02; A47J 43/281  
See application file for complete search history.

(56) **References Cited**

**U.S. PATENT DOCUMENTS**

- |           |     |         |            |                               |
|-----------|-----|---------|------------|-------------------------------|
| 1,041,315 | A   | 10/1912 | Mark       |                               |
| 1,657,968 | A * | 1/1928  | Linsemeyer | ..... A47G 21/145<br>248/37.3 |
| 1,869,753 | A   | 8/1932  | Richard    |                               |
| 4,802,576 | A   | 2/1989  | Kern       |                               |
| 5,076,460 | A   | 12/1991 | Hussell    |                               |
| 5,540,363 | A   | 7/1996  | Wilson     |                               |

- |           |     |         |             |                |
|-----------|-----|---------|-------------|----------------|
| D404,917  | S * | 2/1999  | Miller      | ..... D3/273   |
| D429,970  | S * | 8/2000  | Liu         | ..... D7/637   |
| D441,601  | S * | 5/2001  | Taylor      | ..... D7/401.2 |
| 6,530,470 | B2  | 3/2003  | Roundy      |                |
| D497,292  | S * | 10/2004 | Snell       | ..... D7/637   |
| D532,657  | S * | 11/2006 | Del Rosario | ..... D7/637   |
| 7,434,684 | B1  | 10/2008 | Mabra       |                |
| D582,159  | S * | 12/2008 | Gilbert     | ..... D7/391   |

(Continued)

**FOREIGN PATENT DOCUMENTS**

WO 0121034 A2 3/2001

*Primary Examiner* — Joseph Kukella

*Assistant Examiner* — Darryl J Dardenne

(74) *Attorney, Agent, or Firm* — Hanrahan Law Firm,  
P.A.; Benjamin M. Hanrahan

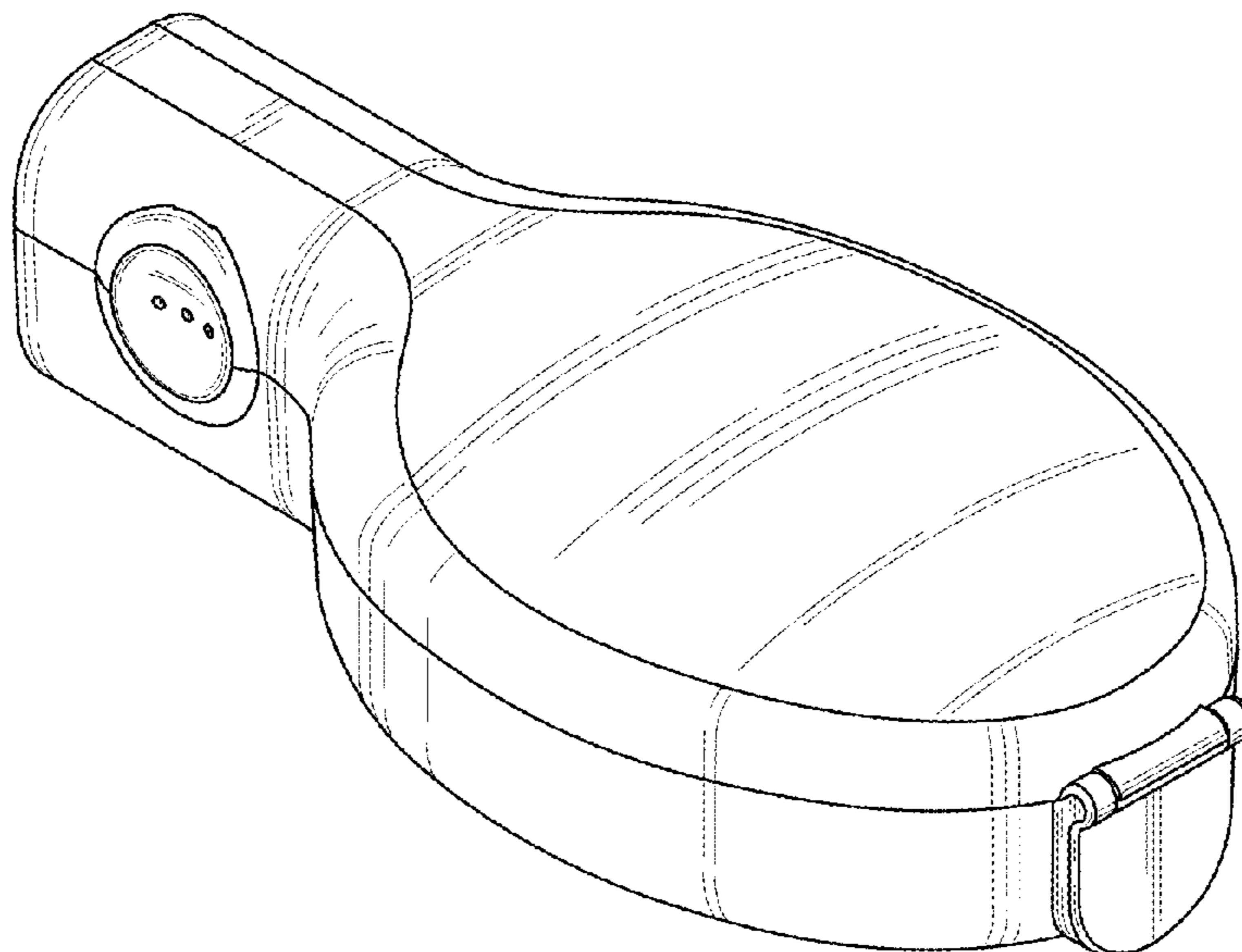
(57) **CLAIM**

The ornamental design for a spoon holder, as shown and described.

**DESCRIPTION**

FIG. 1 is a perspective view illustrating my/our design for a spoon holder.  
 FIG. 2 is another perspective view thereof.  
 FIG. 3 is a left side view thereof.  
 FIG. 4 is a front view thereof.  
 FIG. 5 is a right side view thereof.  
 FIG. 6 is a rear view thereof.  
 FIG. 7 is a top view thereof.  
 FIG. 8 is a bottom view thereof.  
 FIG. 9 is another perspective view thereof with the lid open.  
 FIG. 10 is another perspective view thereof with the lid open; and,  
 FIG. 11 is another right side view thereof with the lid open.  
 The broken lines shown in FIG. 10 are for the purpose of illustrating environment and form no part of the claimed design.

**1 Claim, 11 Drawing Sheets**





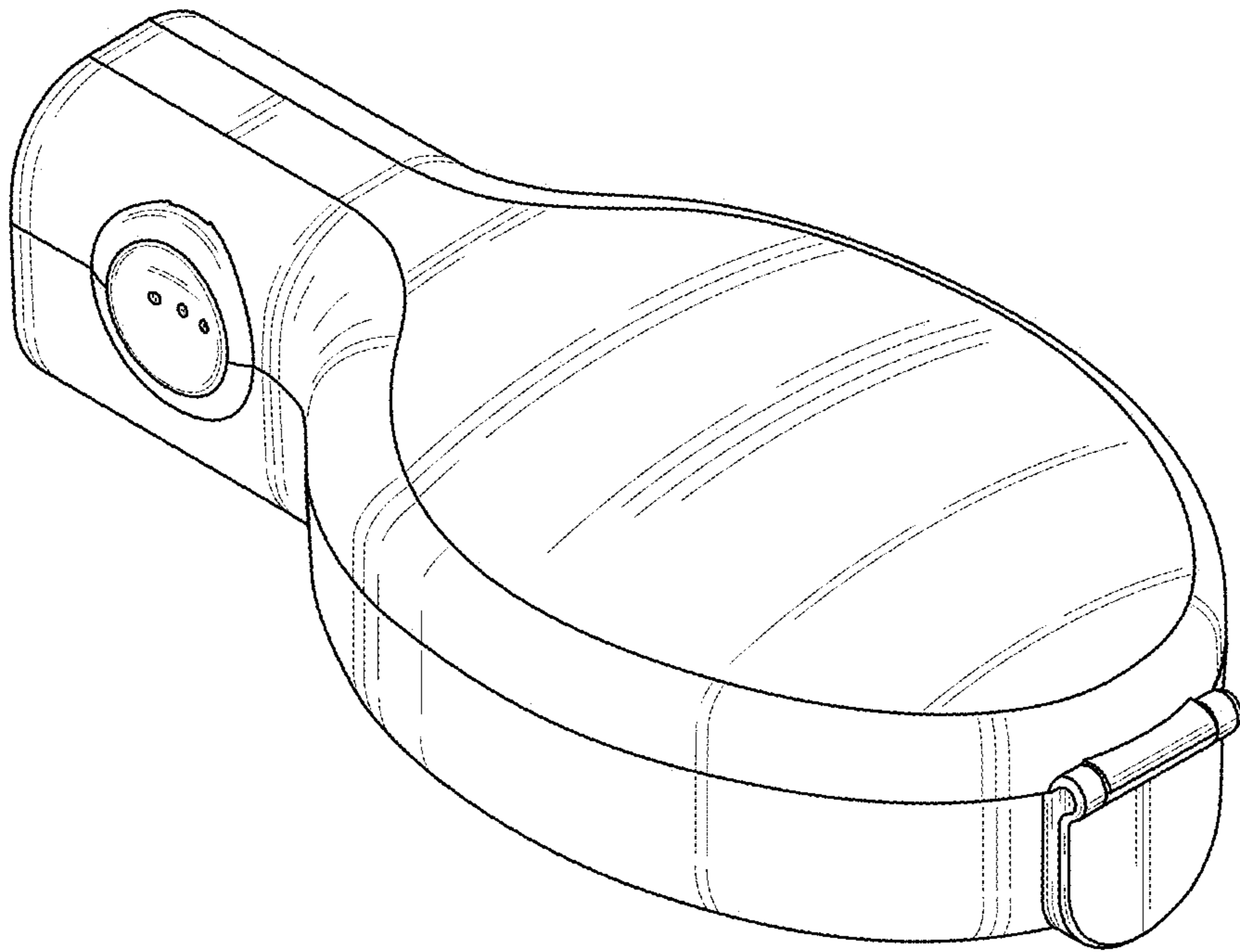


FIG. 1

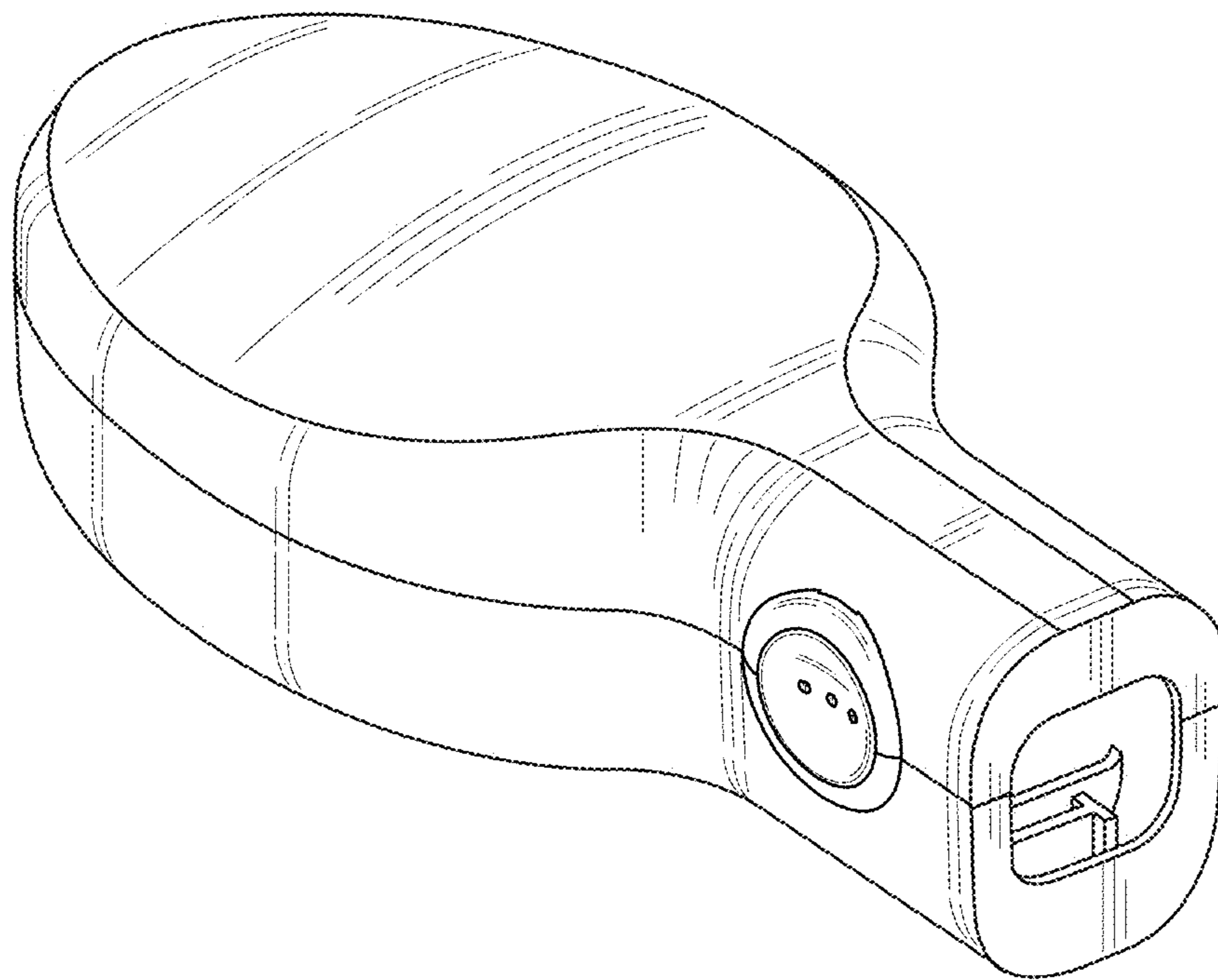


FIG. 2

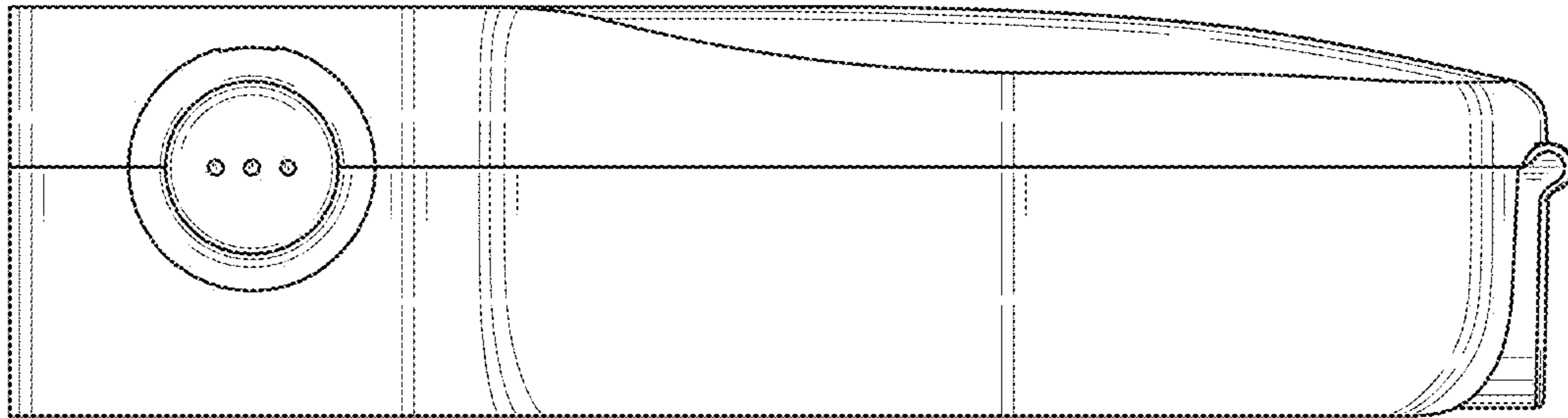


FIG. 3

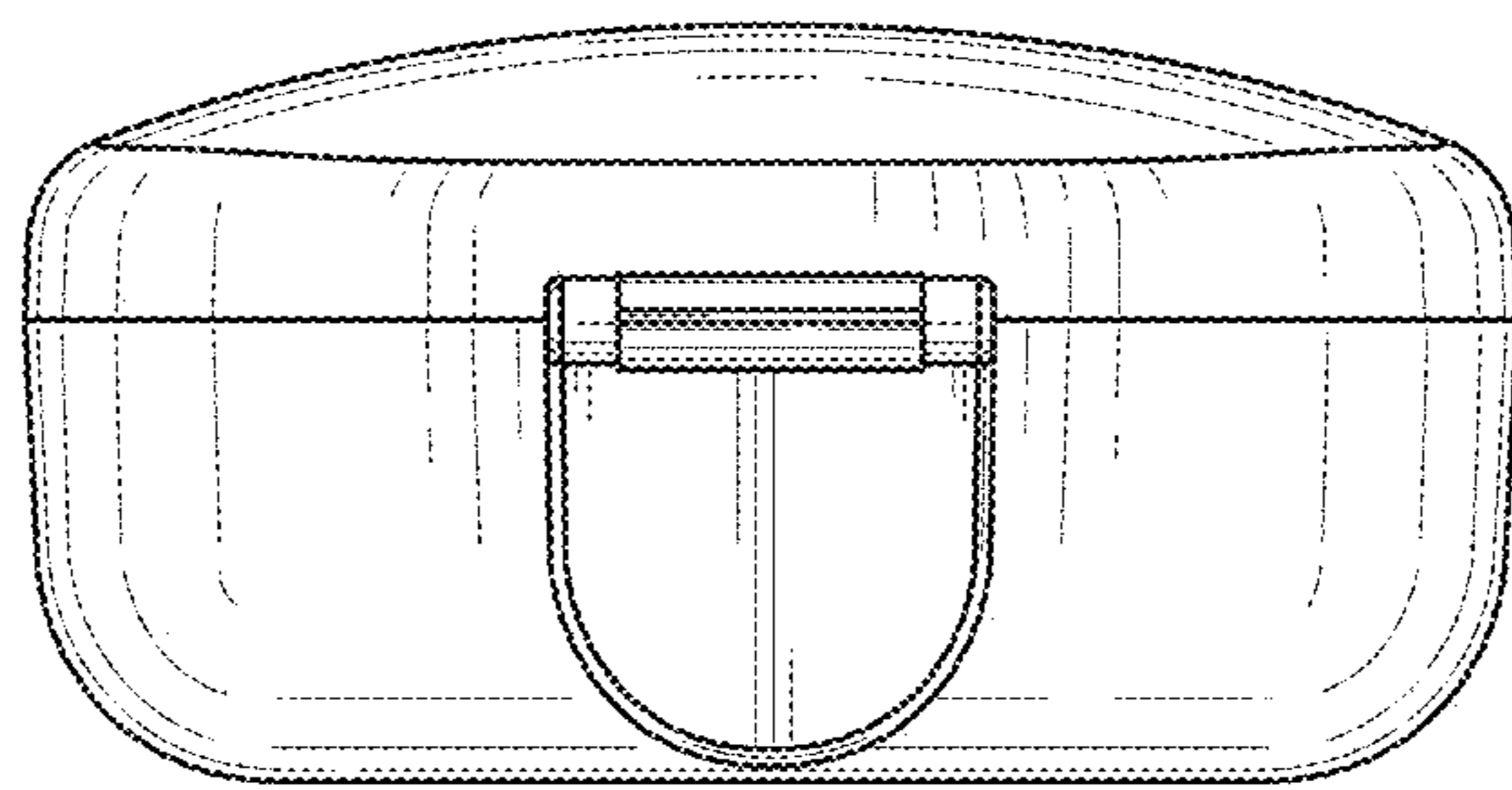


FIG. 4



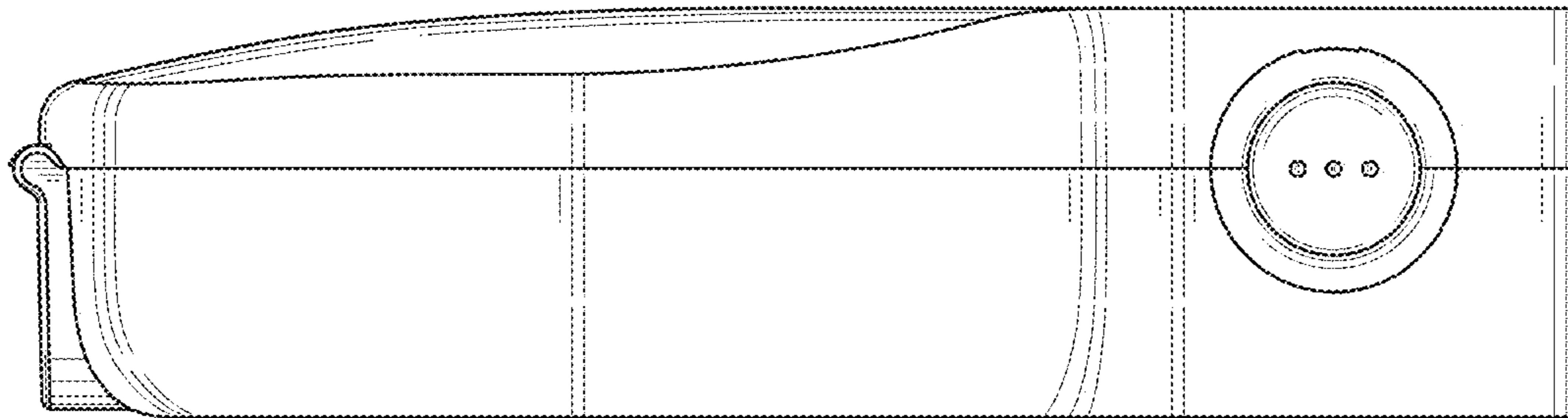


FIG. 5

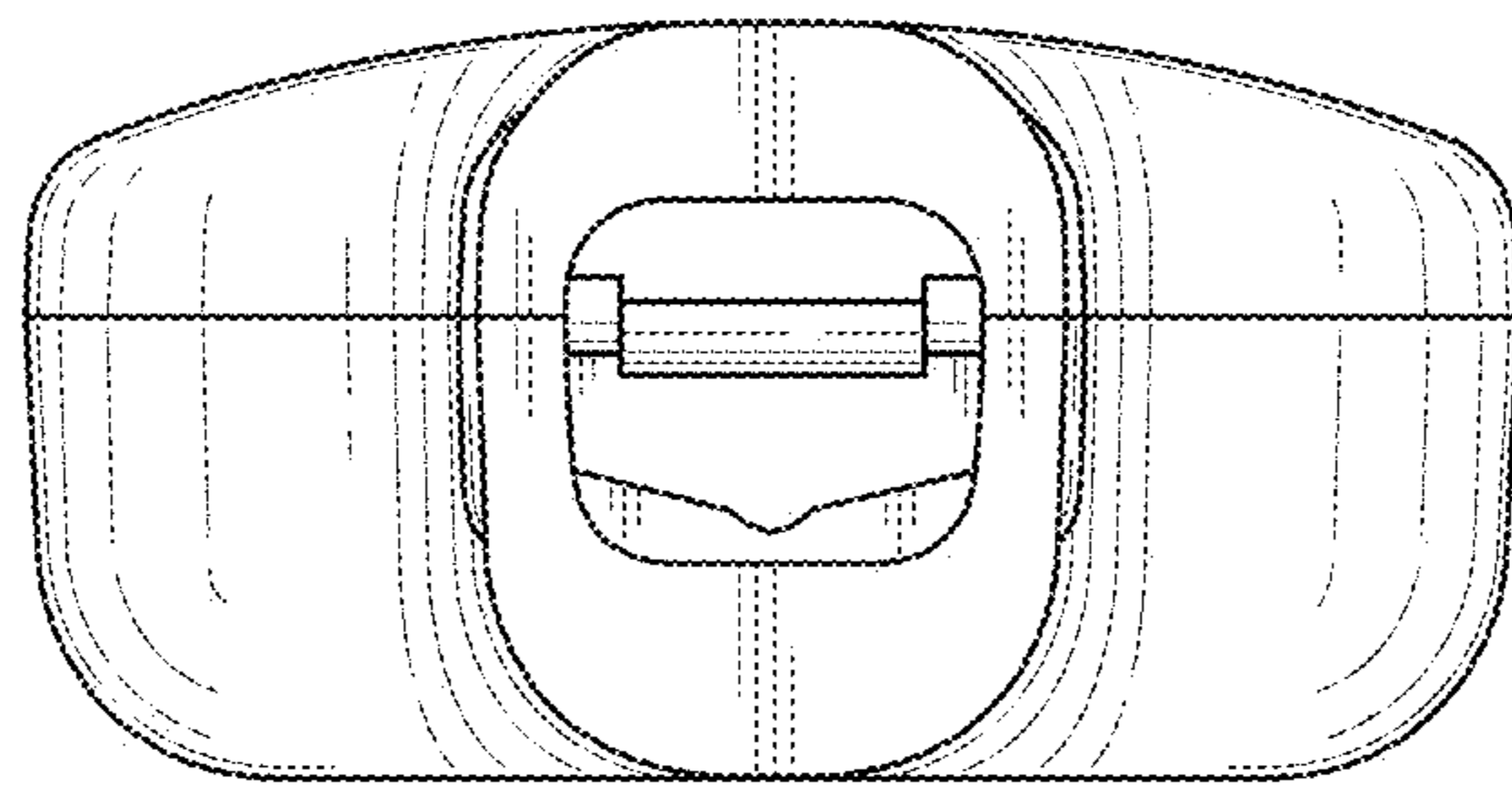


FIG. 6



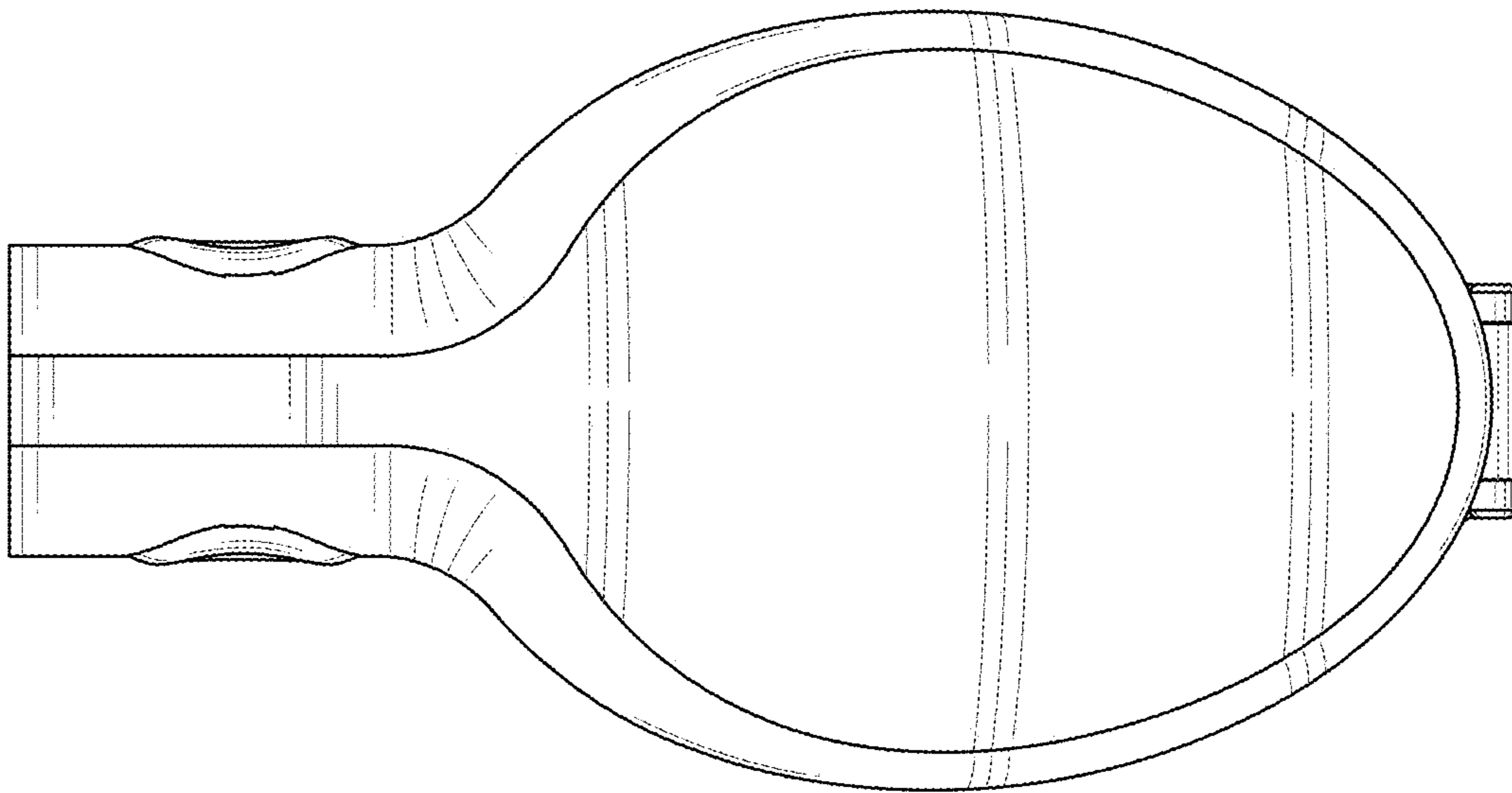


FIG. 7

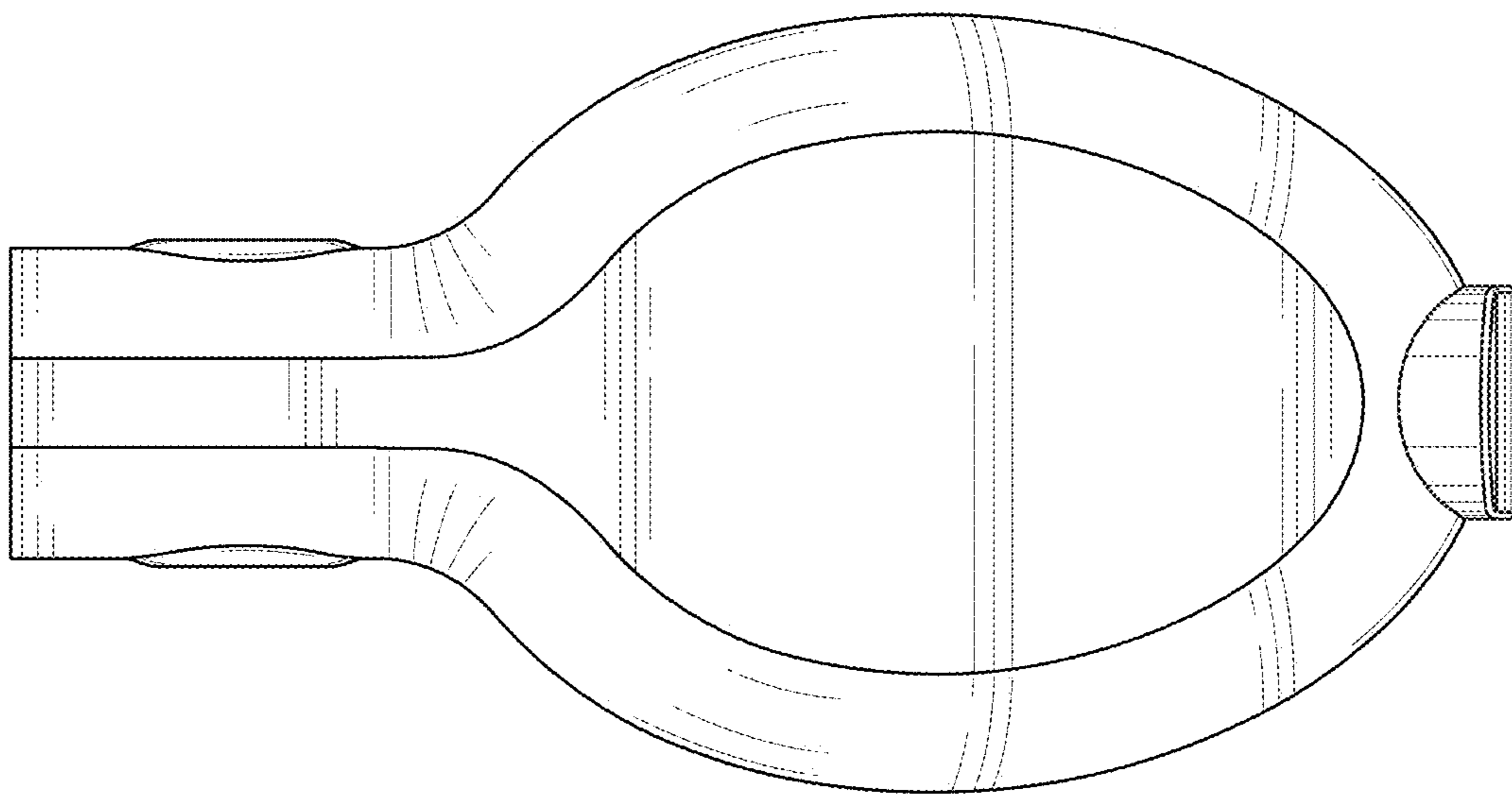


FIG. 8

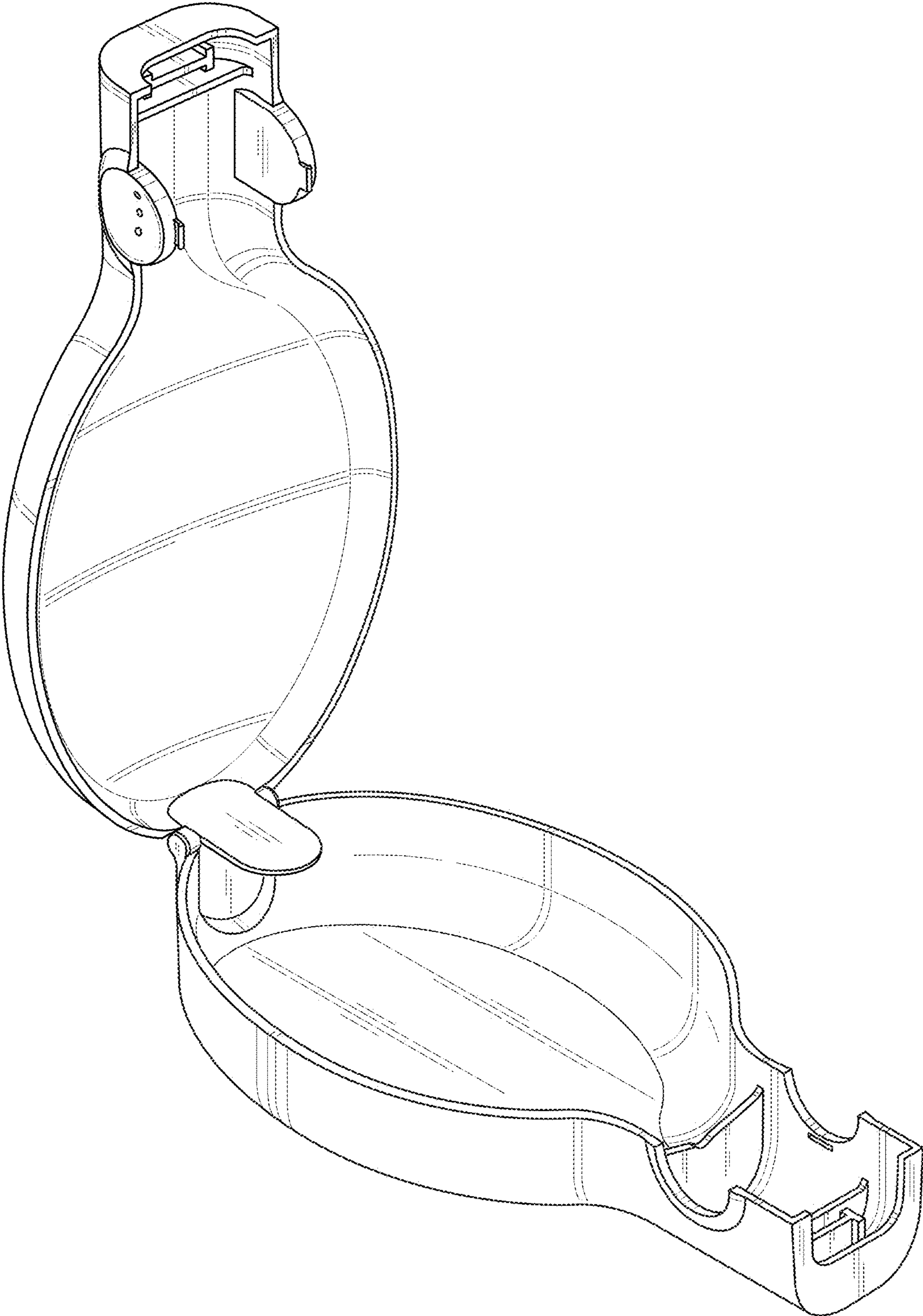


FIG. 9

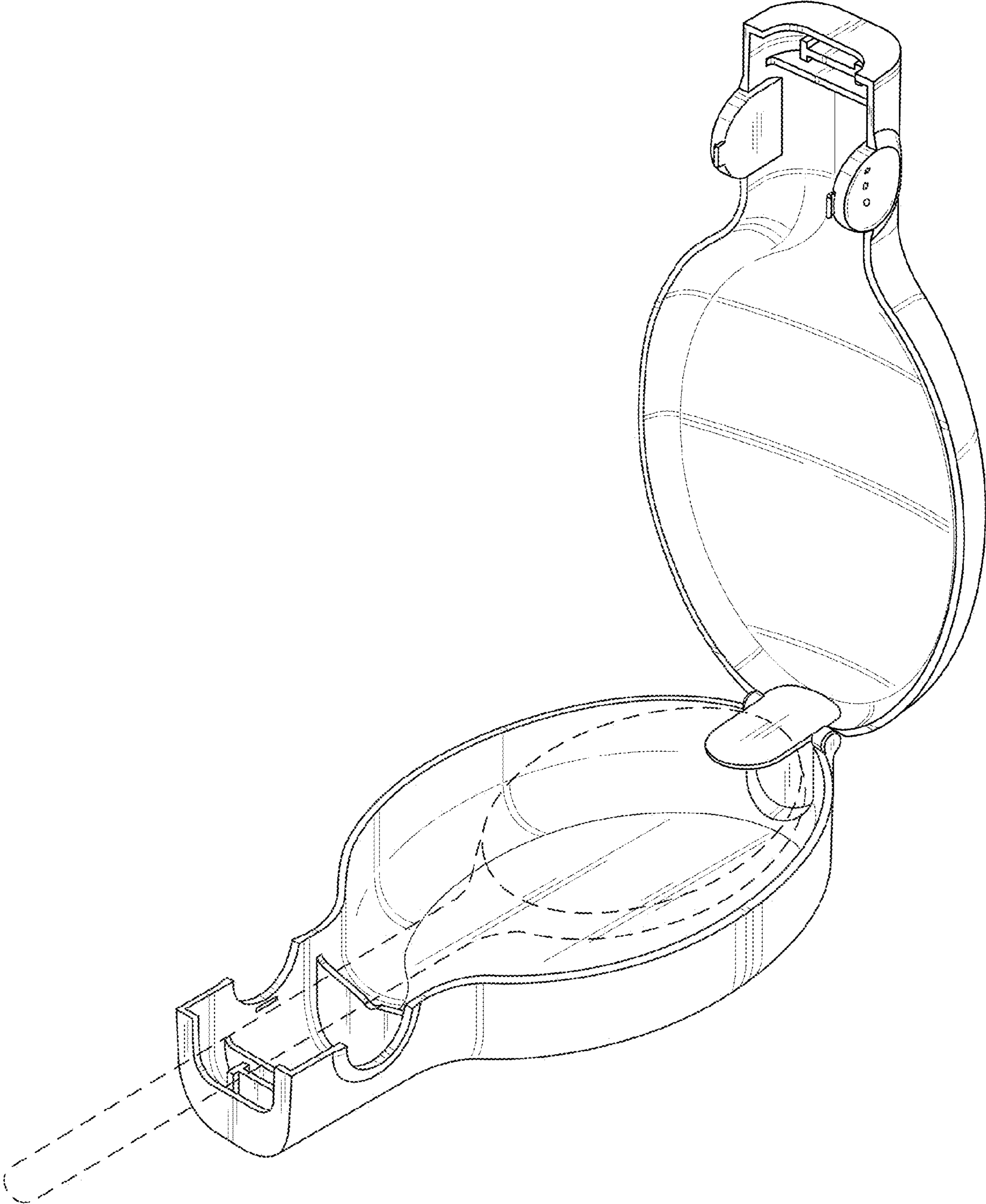


FIG. 10

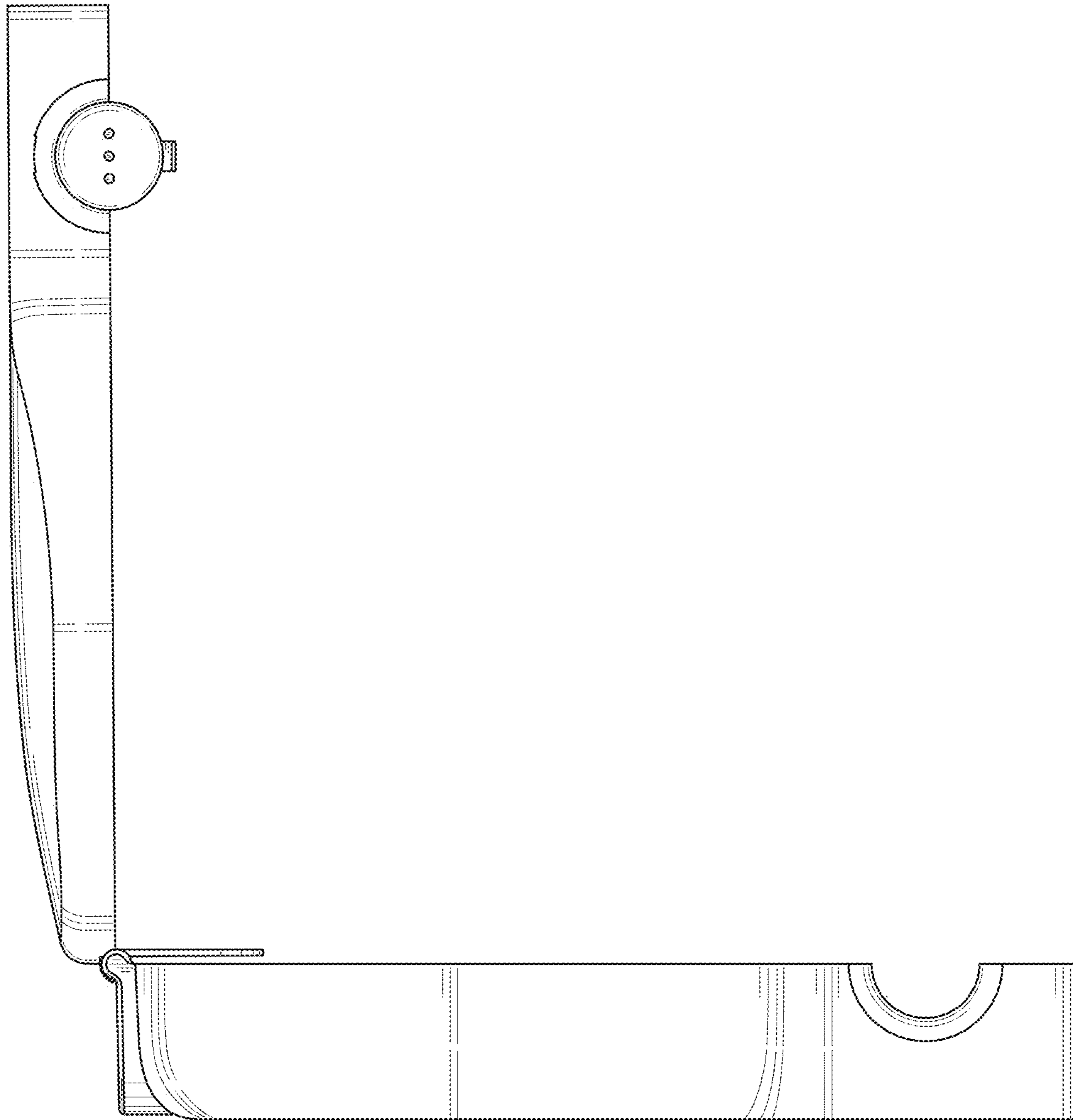


FIG. 11