



US00D984223S

(12) **United States Design Patent** (10) **Patent No.:** **US D984,223 S**
Xu (45) **Date of Patent:** **** Apr. 25, 2023**

(54) **LUNCH BOX**
(71) Applicant: **Dongguan Oumeng Houseware Products Co., Ltd, Guangdong (CN)**
(72) Inventor: **Jingsheng Xu, Hunan (CN)**
(73) Assignee: **Dongguan Oumeng Houseware Products Co., Ltd, Dongguan (CN)**
(**) Term: **15 Years**
(21) Appl. No.: **29/746,531**
(22) Filed: **Aug. 14, 2020**
(51) **LOC (14) Cl.** **09-07**
(52) **U.S. Cl.**
USPC **D7/629; D7/701; D7/703**
(58) **Field of Classification Search**
USPC D7/538, 549, 629, 601, 602, 709, 703,
D7/590, 630, 554.1, 551.1, 553.1, 553.3,
D7/553.5, 701, 541; D9/761, 425, 737
CPC A45C 11/20; B65D 45/16; B65D 43/0212;
B65D 1/36; B65D 77/2024; B65B 7/26;
B65B 7/16
See application file for complete search history.

D552,487 S * 10/2007 Chou D9/761
D578,387 S * 10/2008 Lovett D9/737
D596,499 S * 7/2009 Willis D9/425
D616,258 S * 5/2010 Miros D7/629
D655,988 S * 3/2012 Miros D7/629
(Continued)

FOREIGN PATENT DOCUMENTS

EM 008113286-0001 * 7/2020
GB 9008113286-0001 * 7/2020

OTHER PUBLICATIONS

[PlanetBox Rover Classic Stainless Steel Bento Lunch Box with 5 Compartments for Adults and Kids], available in Amazon.com, date first available Apr. 22, 2022 [online], [site visited Oct. 19, 2022], Available from the internet URL: <https://www.amazon.com/dp/B09YMX8TCV/> (Year: 2022).*

(Continued)

Primary Examiner — Jae Liang
Assistant Examiner — Ji Sun Yoon

(57) **CLAIM**

The ornamental design for a lunch box, as shown and described.

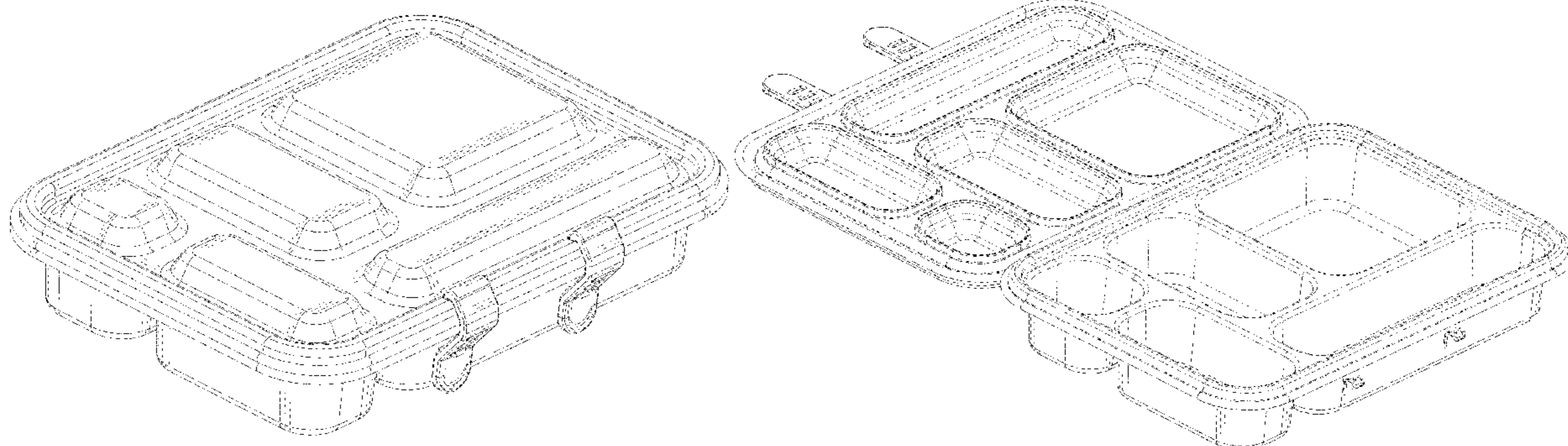
DESCRIPTION

FIG. 1 is a perspective view of a lunch box showing my new design;
FIG. 2 is a front elevation view thereof;
FIG. 3 is a back elevation view thereof;
FIG. 4 is a left side view thereof;
FIG. 5 is a right side view thereof;
FIG. 6 is a top plan view thereof;
FIG. 7 is a bottom plan view thereof; and,
FIG. 8 is a perspective view thereof in an open state.
The broken lines in the drawing depict portion of the lunch box only and form no part of the claimed design.

1 Claim, 8 Drawing Sheets

(56) **References Cited**
U.S. PATENT DOCUMENTS

D132,425 S * 5/1942 Erickson D7/553.5
D276,201 S * 11/1984 Wolff D9/425
D283,666 S * 5/1986 Holzkopf D9/425
D372,170 S * 7/1996 Ahern, Jr. D7/553.3
5,671,846 A * 9/1997 Frank A45C 11/20
206/541
D395,985 S * 7/1998 Krupa D7/541
D440,118 S * 4/2001 Claffy D7/553.1
D451,769 S * 12/2001 Stanos D7/629
D494,857 S * 8/2004 Chen D9/759
D515,880 S * 2/2006 Lerner D7/629
7,114,630 B2 * 10/2006 Dege B65D 43/0212
220/523
D539,666 S * 4/2007 Chou D9/425



(56)

References Cited

U.S. PATENT DOCUMENTS

D666,058 S * 8/2012 Liang D7/541
8,328,034 B2 * 12/2012 Miros B65B 7/16
220/23.88
D691,901 S * 10/2013 Epstein D9/425
D733,962 S * 7/2015 Sunder D9/425
D769,080 S * 10/2016 Wiggins D7/629
10,005,573 B2 * 6/2018 Miros B65B 7/26
D830,796 S * 10/2018 Chen D7/703
D891,918 S * 8/2020 Chen D9/425
D905,572 S * 12/2020 Flanagan D9/425
D905,573 S * 12/2020 Flanagan D9/425
D905,574 S * 12/2020 Flanagan D7/703
D960,663 S * 8/2022 Chung D9/761
D963,436 S * 9/2022 Chen D7/703
2002/0108955 A1 * 8/2002 Erb B65D 77/2024
220/359.4
2004/0031799 A1 * 2/2004 Dege B65D 1/36
220/523
2006/0201950 A1 * 9/2006 Liu B65D 1/36
220/521
2010/0308039 A1 * 12/2010 Miros B65D 45/16
220/553

OTHER PUBLICATIONS

[Aohea Stainless Bento Lunch Box for Kids], available in Amazon.com, date first available Jun. 6, 2022 [online], [site visited Oct. 19, 2022], Available from the internet URL: <https://www.amazon.com/dp/B0B3992CDC/> (Year: 2022).*

* cited by examiner

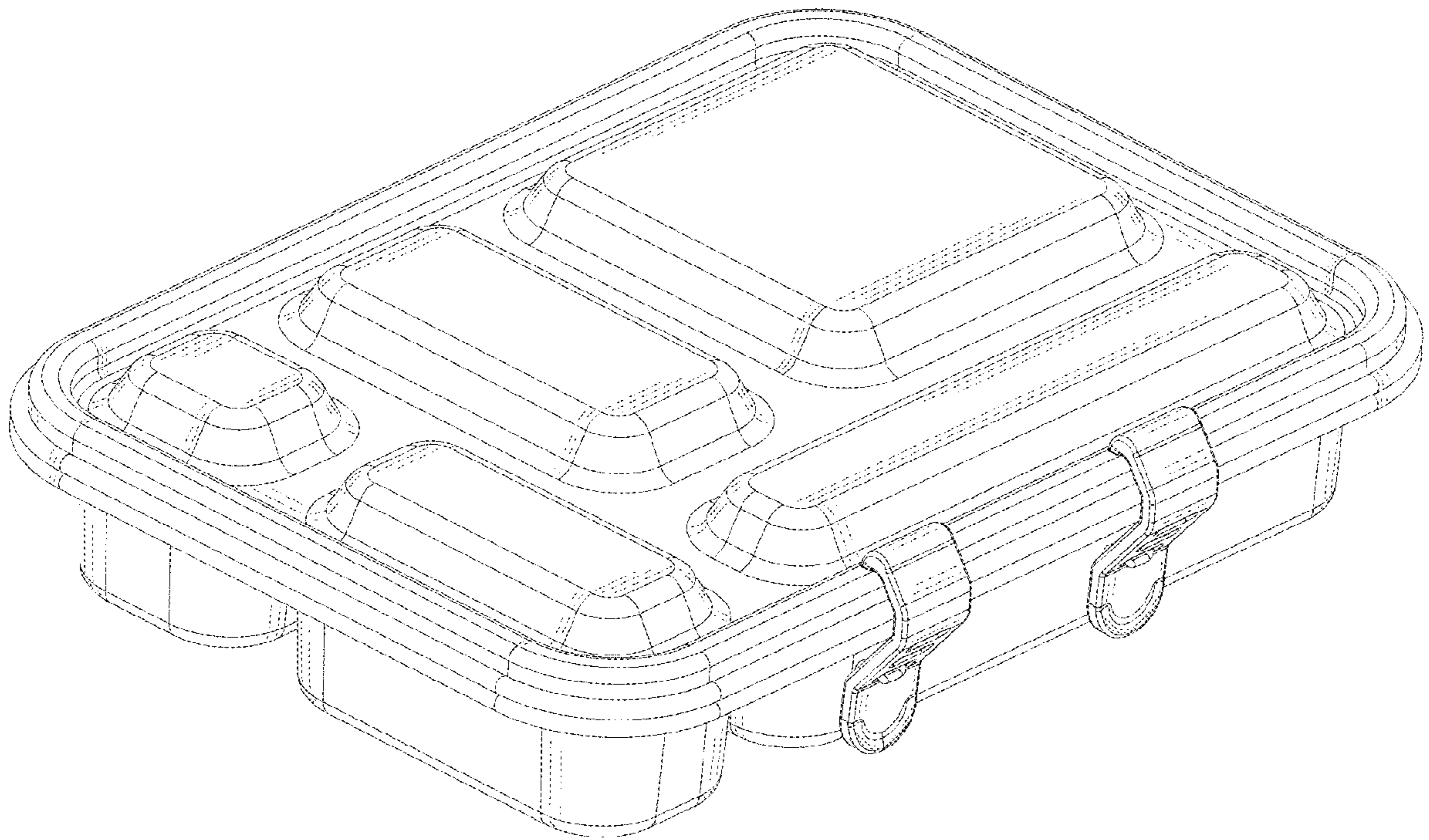


FIG. 1

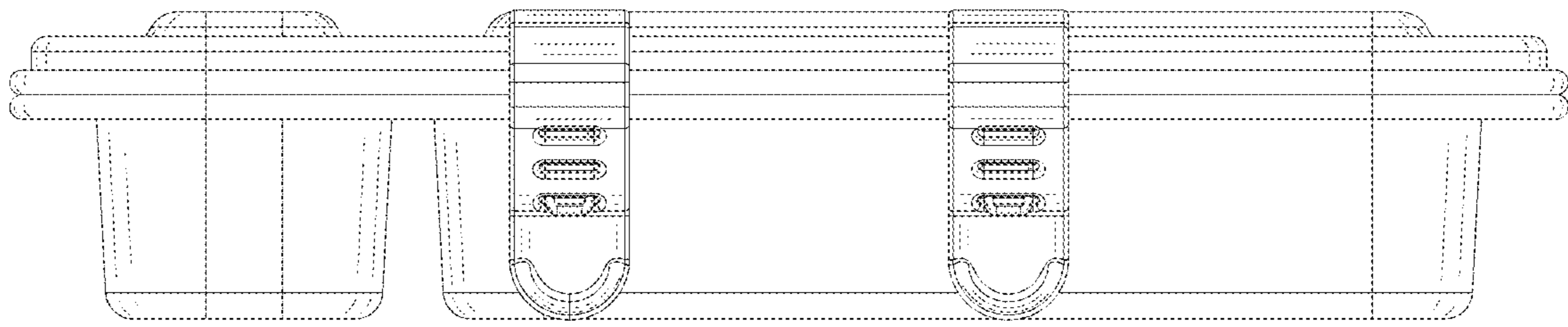


FIG. 2

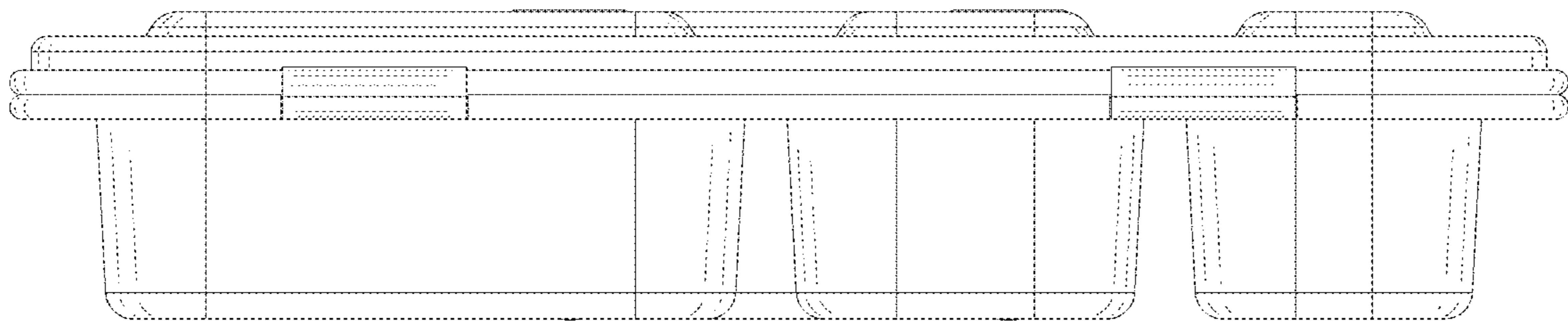


FIG. 3

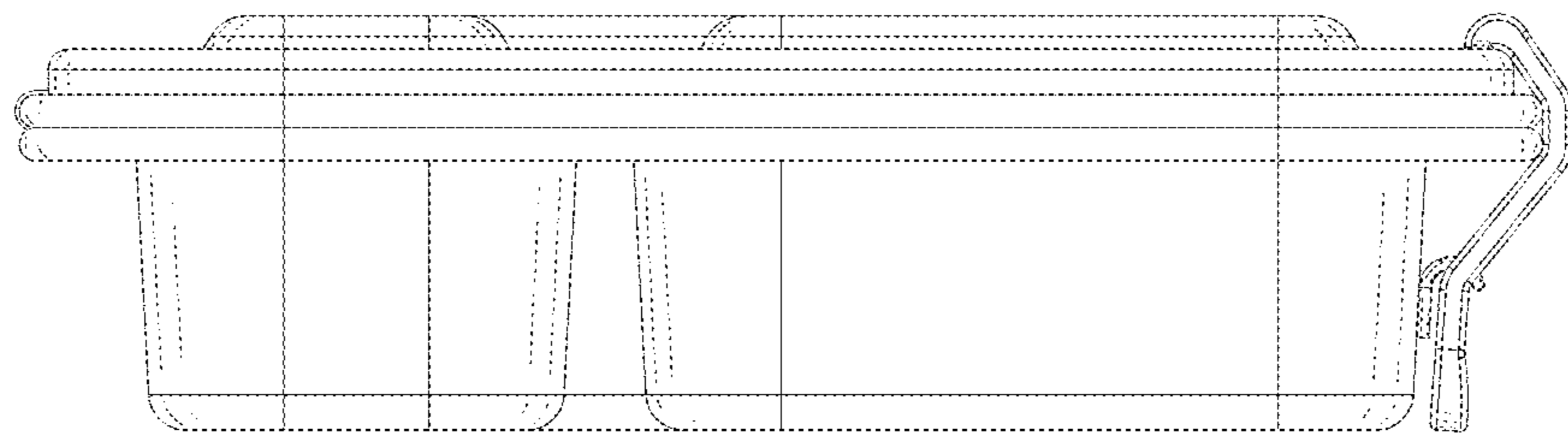


FIG. 4

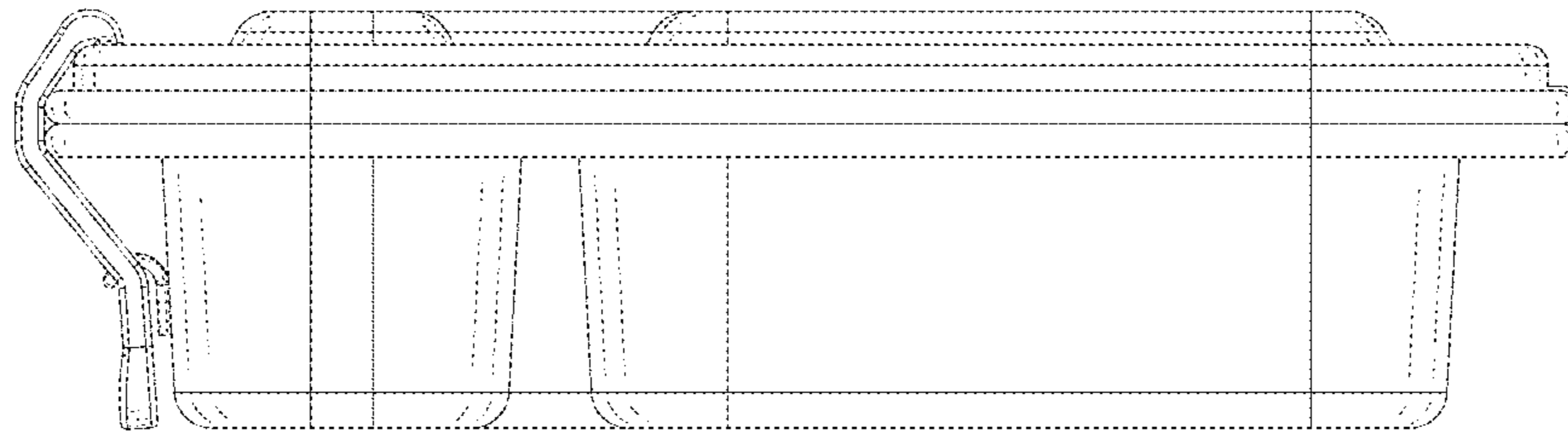


FIG. 5

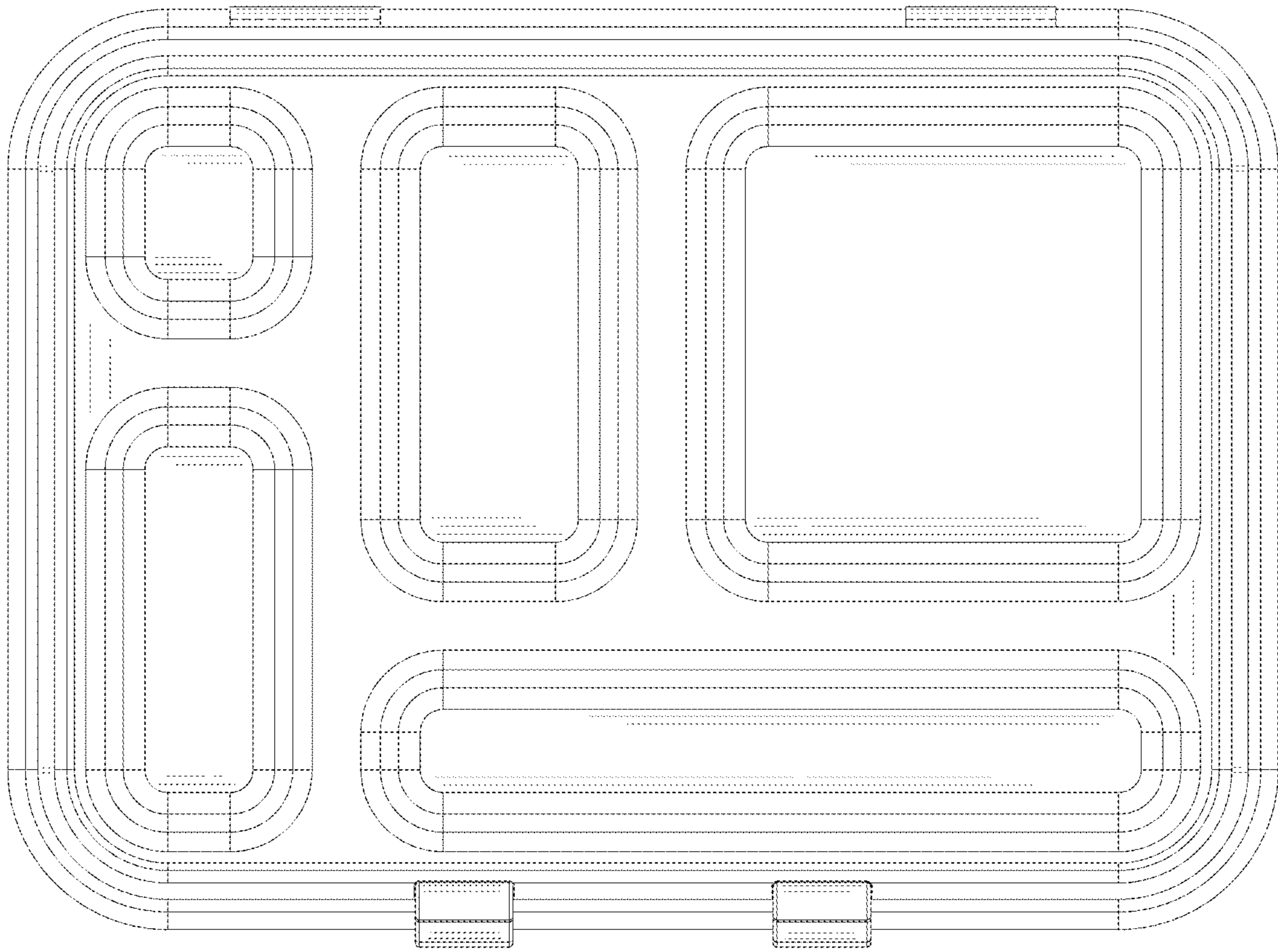


FIG. 6

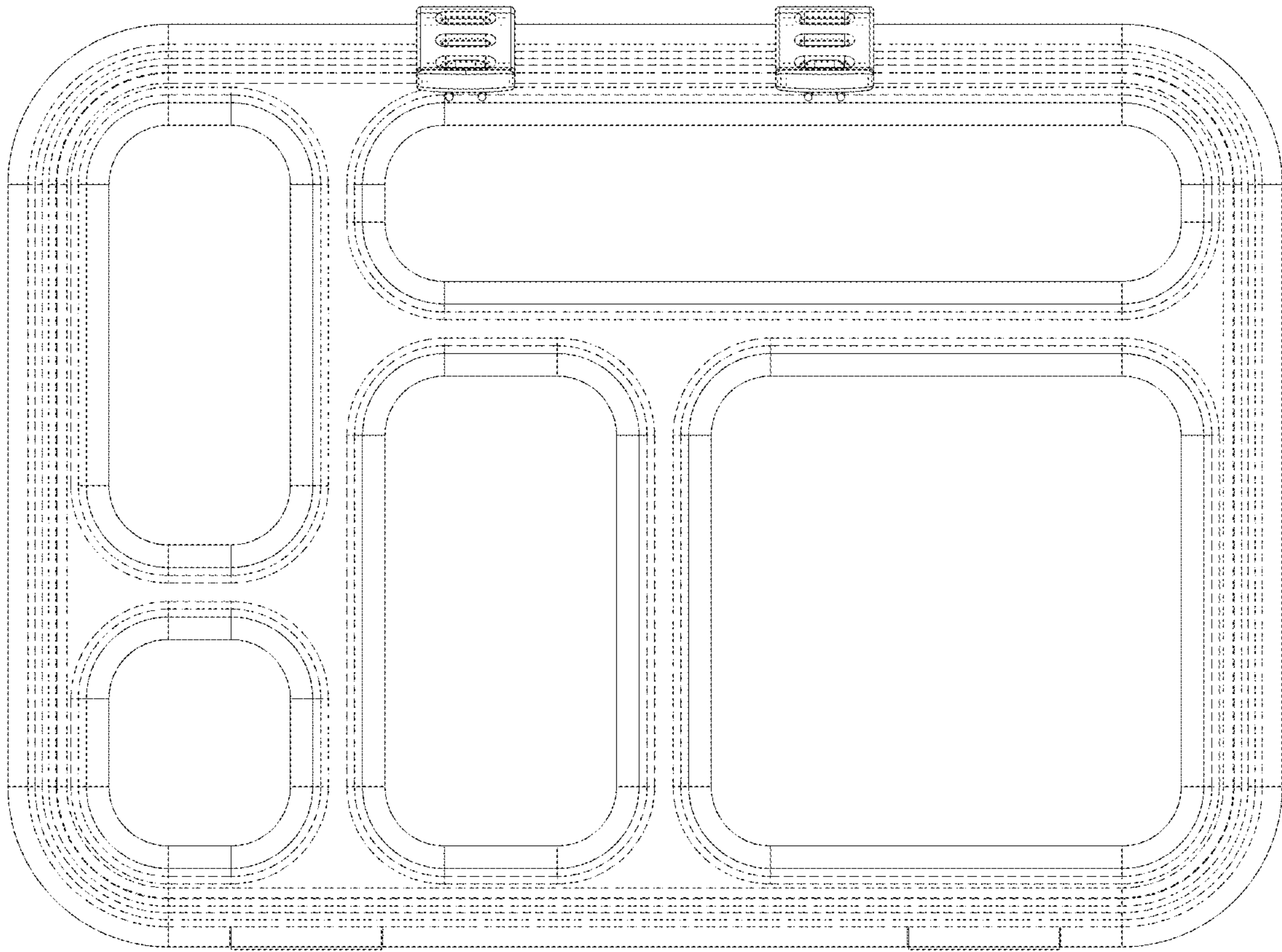


FIG. 7

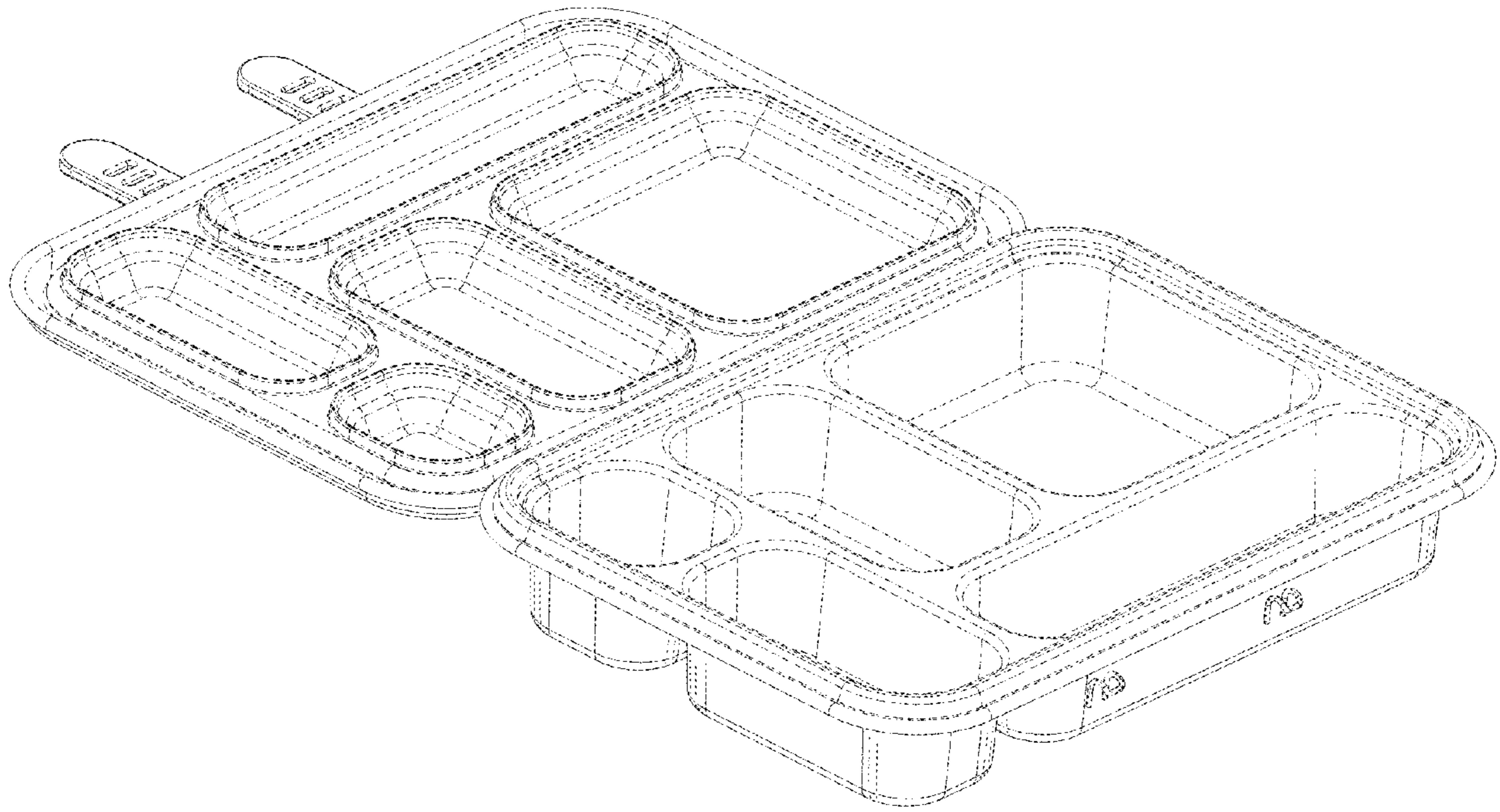


FIG. 8