



US00D984222S

(12) **United States Design Patent**
Wang

(10) **Patent No.:** **US D984,222 S**
(45) **Date of Patent:** **** Apr. 25, 2023**

(54) **PROTECTIVE FRAME FOR CUP COASTERS**

(71) Applicant: **Wei-Cheng Wang**, Taipei (TW)

(72) Inventor: **Wei-Cheng Wang**, Taipei (TW)

(**) Term: **15 Years**

(21) Appl. No.: **29/746,476**

(22) Filed: **Aug. 14, 2020**

(51) **LOC (14) Cl.** **07-09**

(52) **U.S. Cl.**
USPC **D7/624.1**

(58) **Field of Classification Search**

USPC D23/213, 223, 233, 249, 250, 253,
D23/259-269, 323, 333, 386; D7/300.1,
D7/313, 509, 510, 523, 624.1, 624.2,
D7/624.3; D14/188, 194, 195, 204, 221,
D14/228; D26/26, 37, 40, 46, 49, 93,
D26/104, 105; D15/7; D24/108, 110.6,
D24/112, 129; D11/152, 155, 164, 143,
D11/144; D8/382

CPC F16L 1/00; F16L 9/00; F16L 13/00; F16L
13/146; F16L 2101/00; F16L 17/035;
F16L 37/10; F16L 41/06; F16L 41/12;
F16L 41/14; F16L 41/082; F16L 47/30;
F16L 21/08; A47L 9/02; A47L 9/24;
A47L 9/242; A47L 9/244; A47L 9/248;
A61M 16/08; A61M 16/0816; A61M
16/0833; A61M 29/00; A61M 39/223;
A01G 9/02; A01G 9/04; A01G 9/042;
A47K 1/14; E03C 1/23; E03C 1/262;
H01R 13/65912; A47G 23/03; A47G
23/14; A47G 23/0309; A47G 7/00; A47G
7/02; A47G 7/04; A47G 7/041; B65D
51/20

See application file for complete search history.

(56) **References Cited**

U.S. PATENT DOCUMENTS

264,163 A * 9/1882 Hurlbut A47G 23/03
215/393
1,979,706 A * 11/1934 Reamy B65D 51/20
220/796

D244,533 S * 5/1977 Eidelberg D23/269
4,089,498 A * 5/1978 Woodruff A47G 23/03
248/346.11
4,531,805 A * 7/1985 Werth H01R 13/65912
439/607.52
D347,885 S * 6/1994 Gustafsson D23/269
D351,459 S * 10/1994 Andersson D23/269
5,385,326 A * 1/1995 Bidwell A47G 23/03
248/908
D364,431 S * 11/1995 Diecidue D21/444
D374,710 S * 10/1996 Gustafsson D23/269
D514,671 S * 2/2006 Jones D23/269
D557,771 S * 12/2007 Darce D23/269
D631,142 S * 1/2011 Angell D23/262

(Continued)

Primary Examiner — Gino Colan

Assistant Examiner — David OBrien

(74) *Attorney, Agent, or Firm* — Leong C. Lei

(57) **CLAIM**

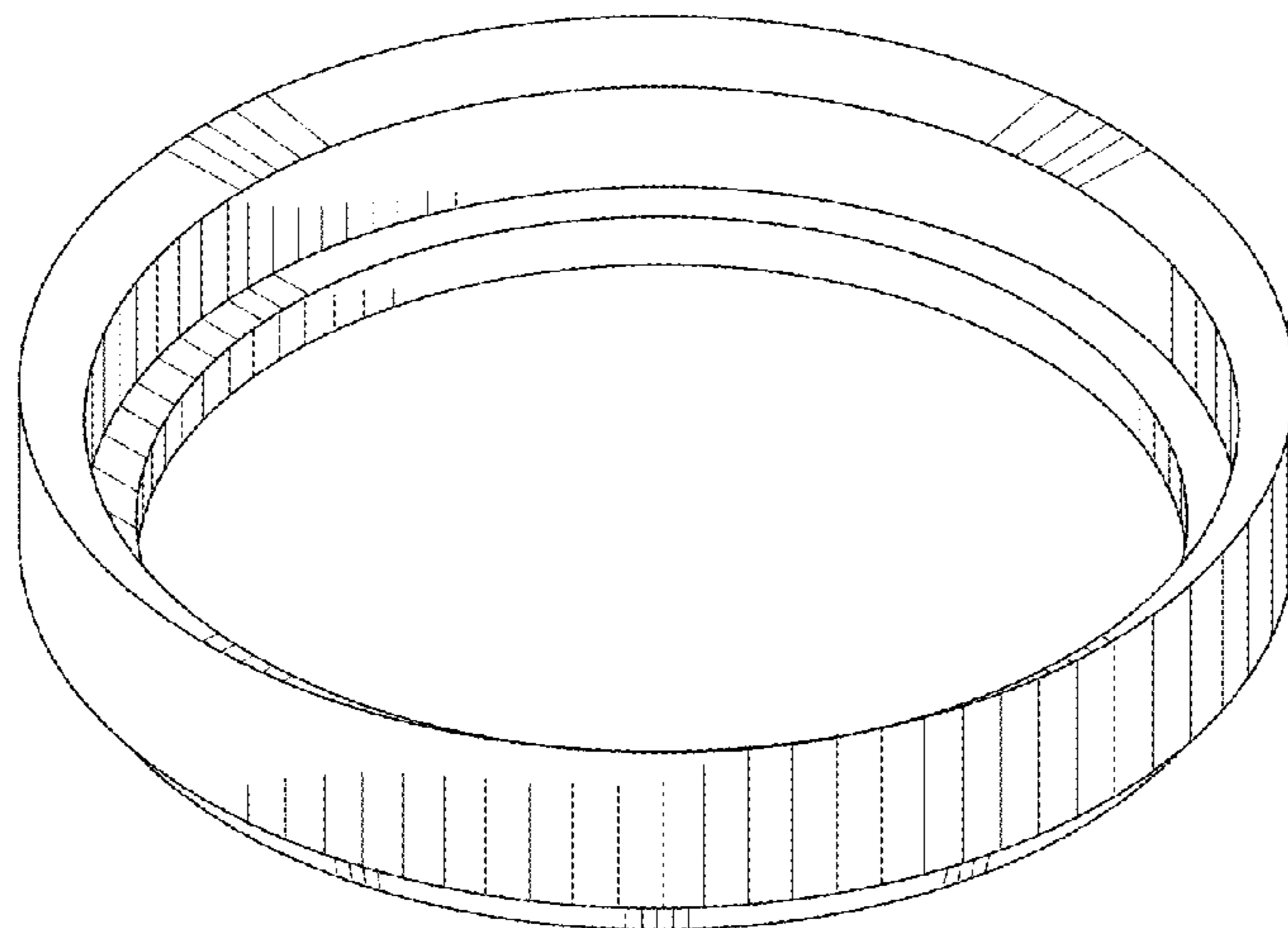
The ornamental design for a protective frame for cup coasters, as shown and described.

DESCRIPTION

FIG. 1 is a perspective view of a protective frame for cup coasters showing my new design;
FIG. 2 is a front elevational view thereof;
FIG. 3 is a rear elevational view thereof;
FIG. 4 is a left side elevational view thereof;
FIG. 5 is a right side elevational view thereof;
FIG. 6 is a top plan view thereof;
FIG. 7 is a bottom plan view thereof;
FIG. 8 is another perspective view thereof; and,
FIG. 9 is another perspective view thereof.

The broken lines shown in the figures are for the purpose of illustrating portions of the protective frame for cup coasters and form no part of the claimed design.

1 Claim, 6 Drawing Sheets



(56)

References Cited

U.S. PATENT DOCUMENTS

7,882,578	B2 *	2/2011	Li	E03C 1/23 4/689
D665,491	S *	8/2012	Goel	D23/386
D760,549	S *	7/2016	Haytayan	D7/624.1
D760,550	S *	7/2016	Haytayan	D7/624.1
D771,480	S *	11/2016	Lowitz	D8/382
D893,684	S *	8/2020	Matthys	D23/269
2005/0040645	A1 *	2/2005	Jones	F16L 21/08 285/374
2019/0145556	A1 *	5/2019	Kim	F16L 17/035 277/605

* cited by examiner

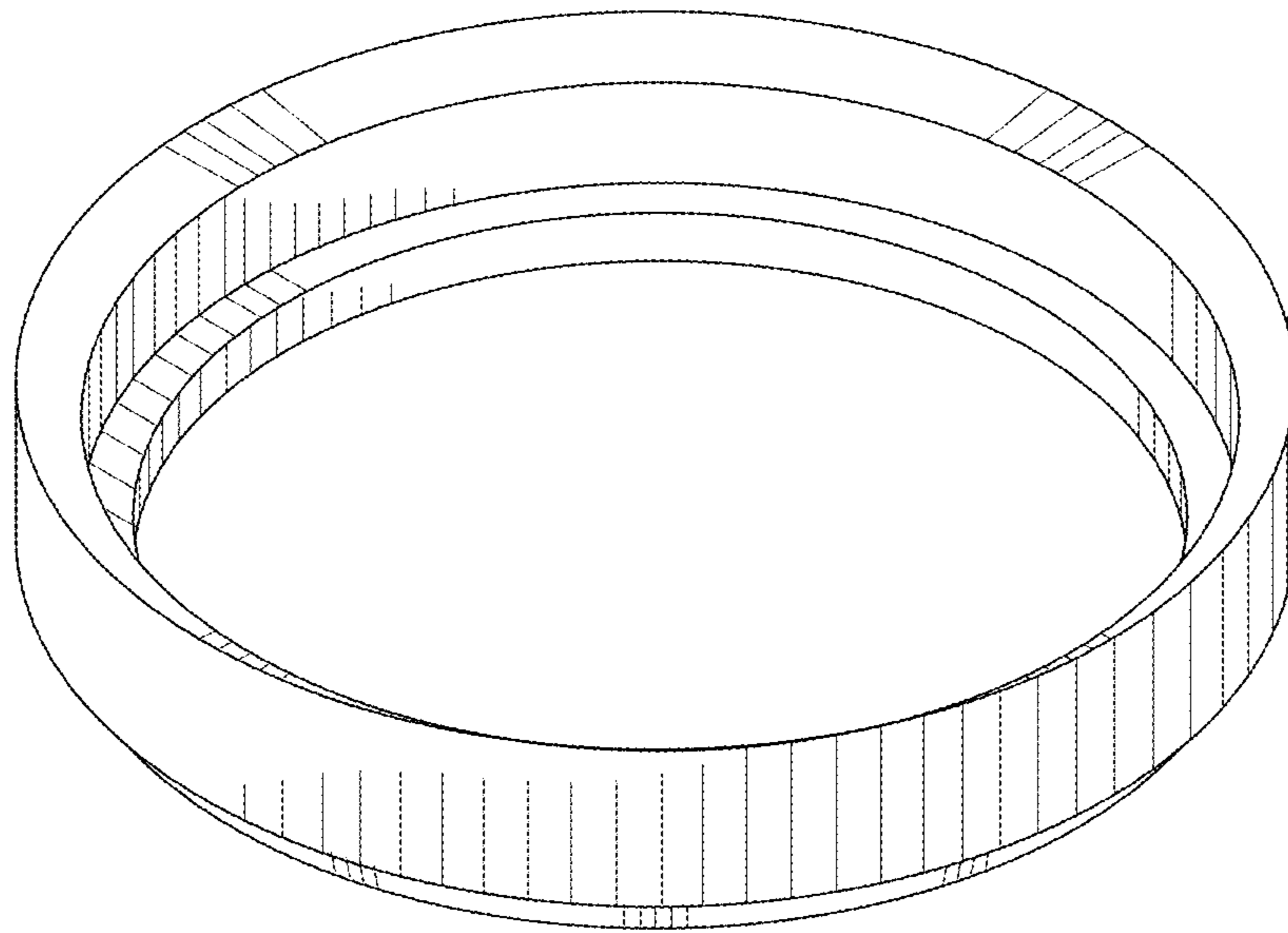


FIG. 1

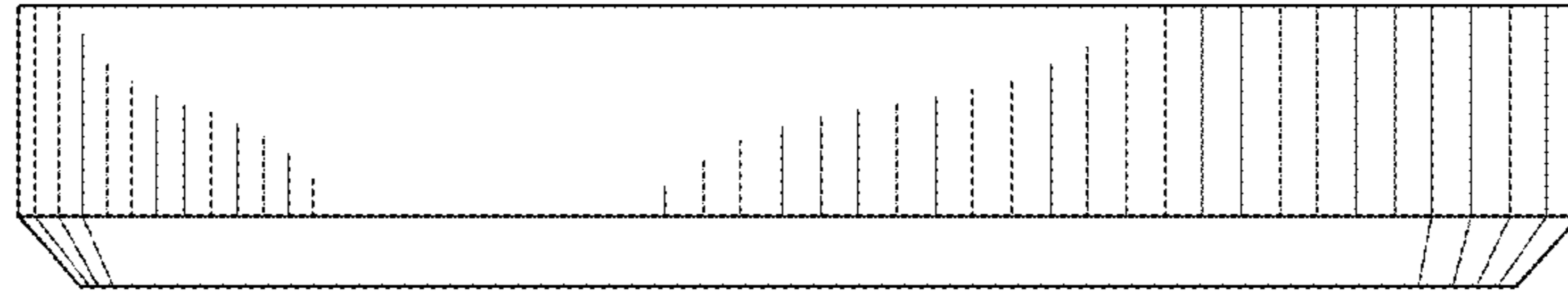


FIG. 2

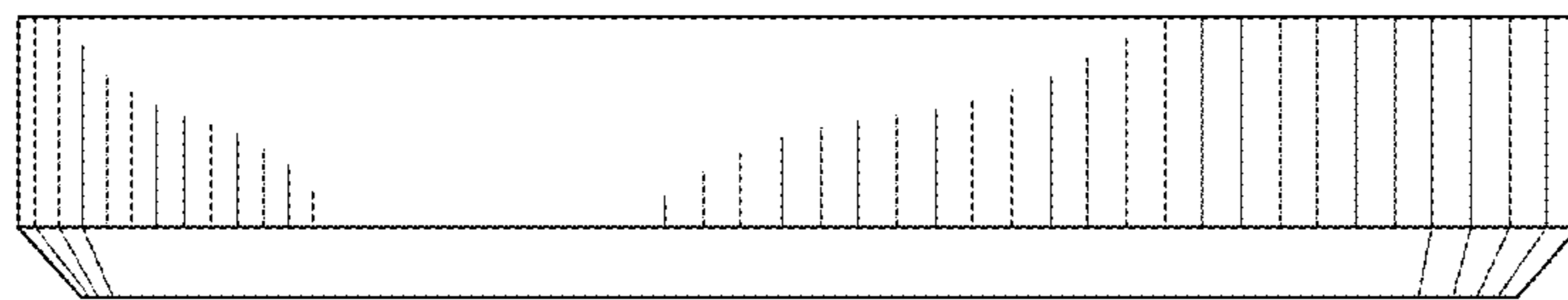


FIG. 3

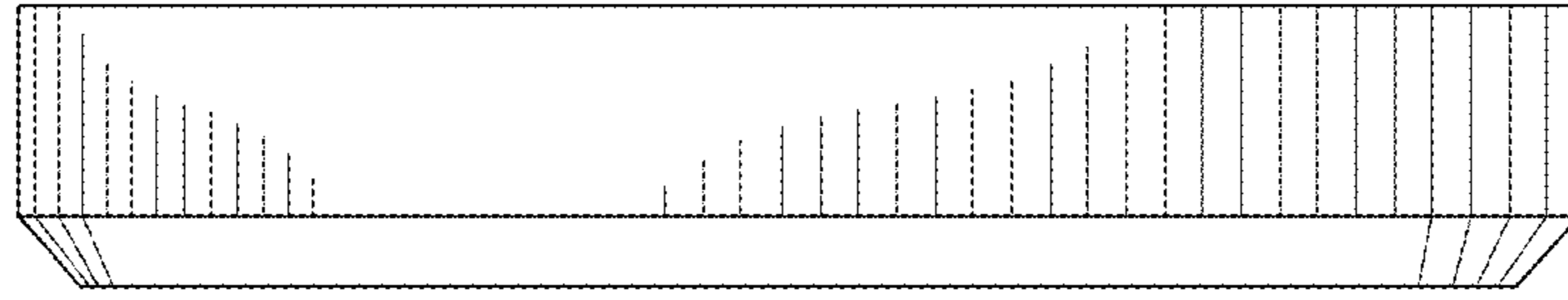


FIG. 4

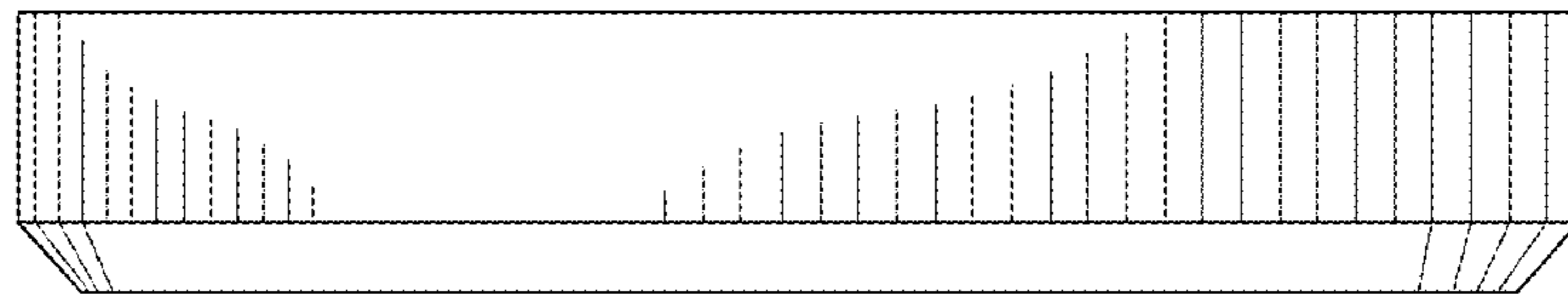


FIG. 5

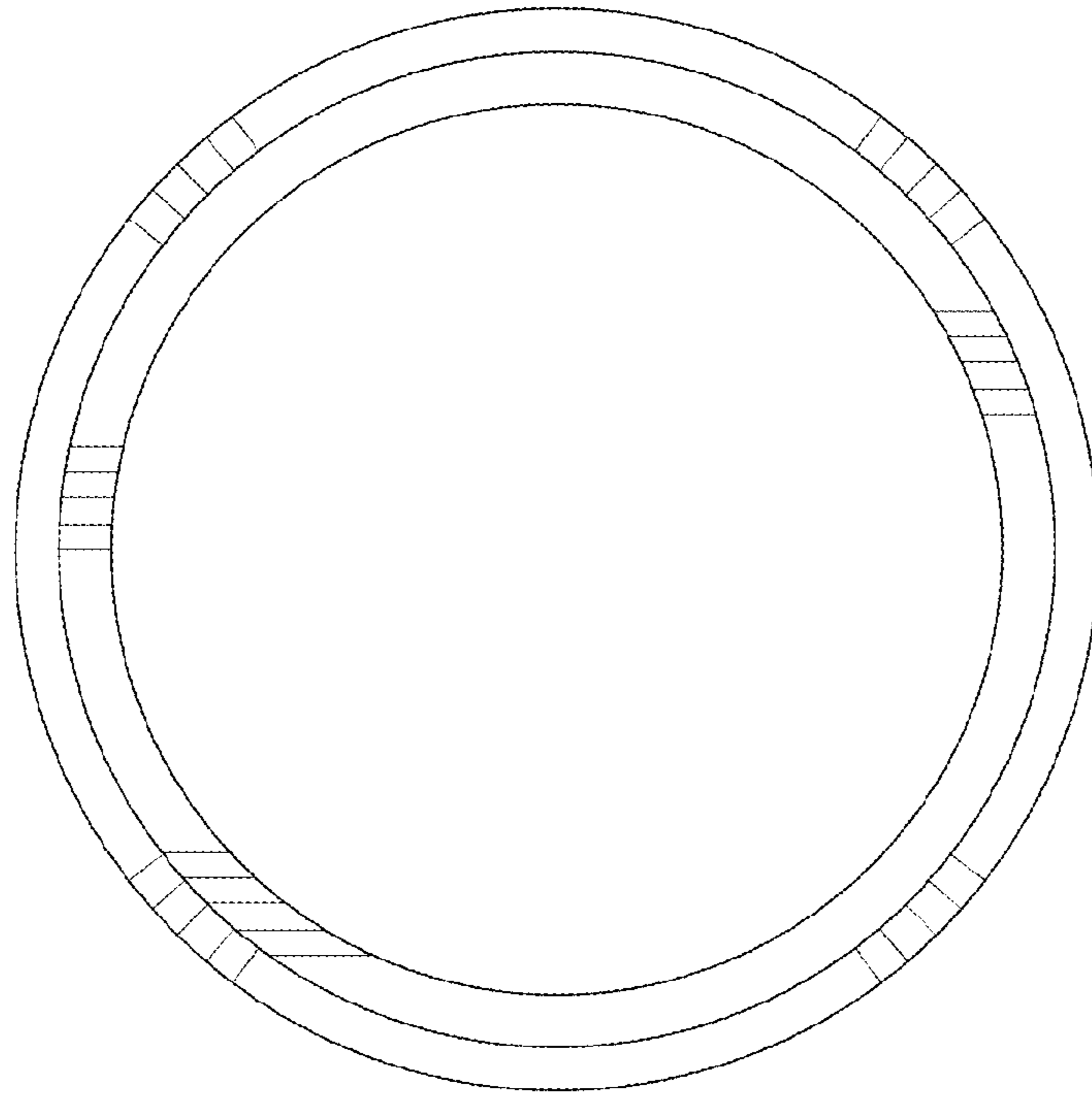


FIG. 6

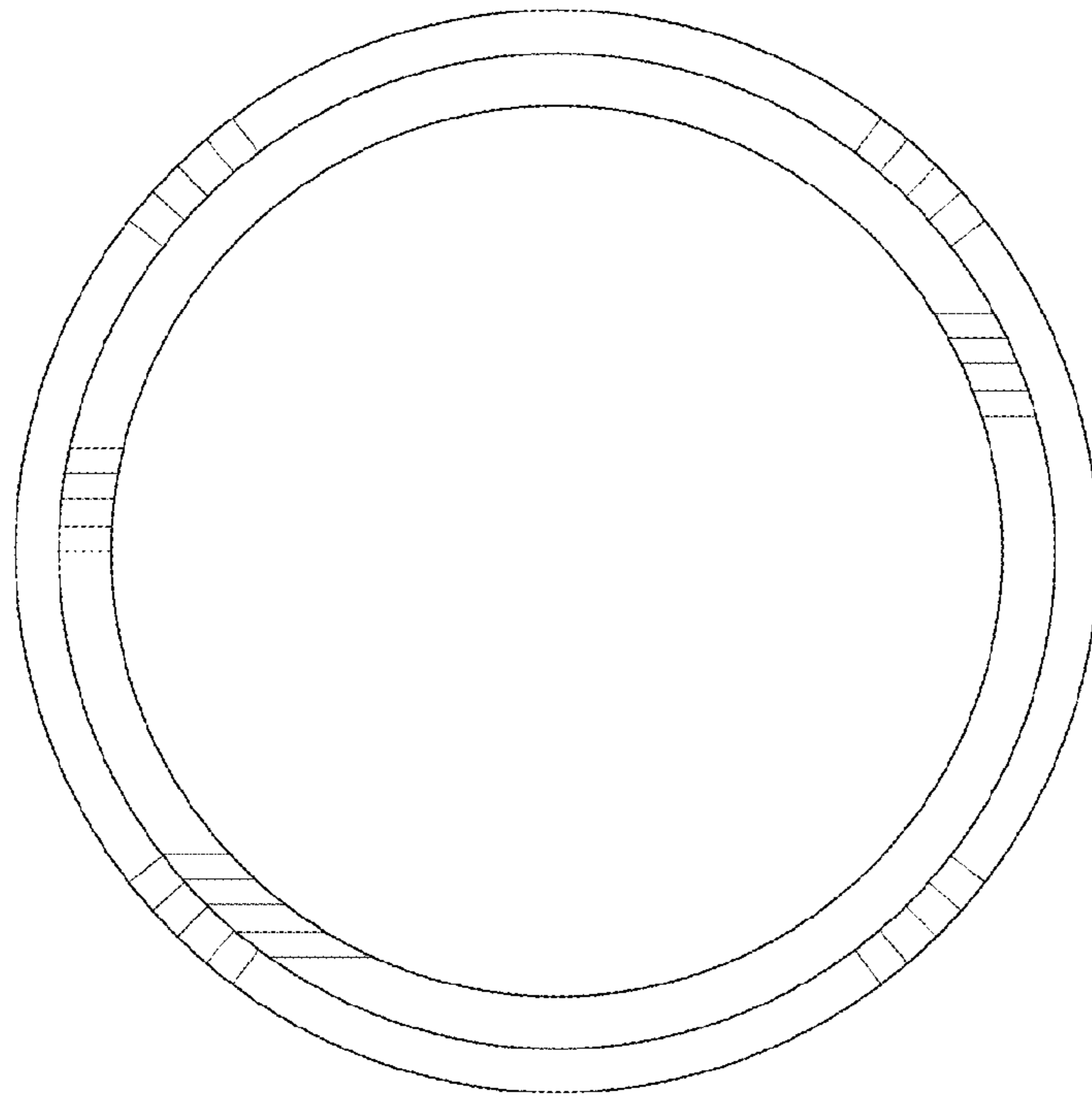


FIG. 7

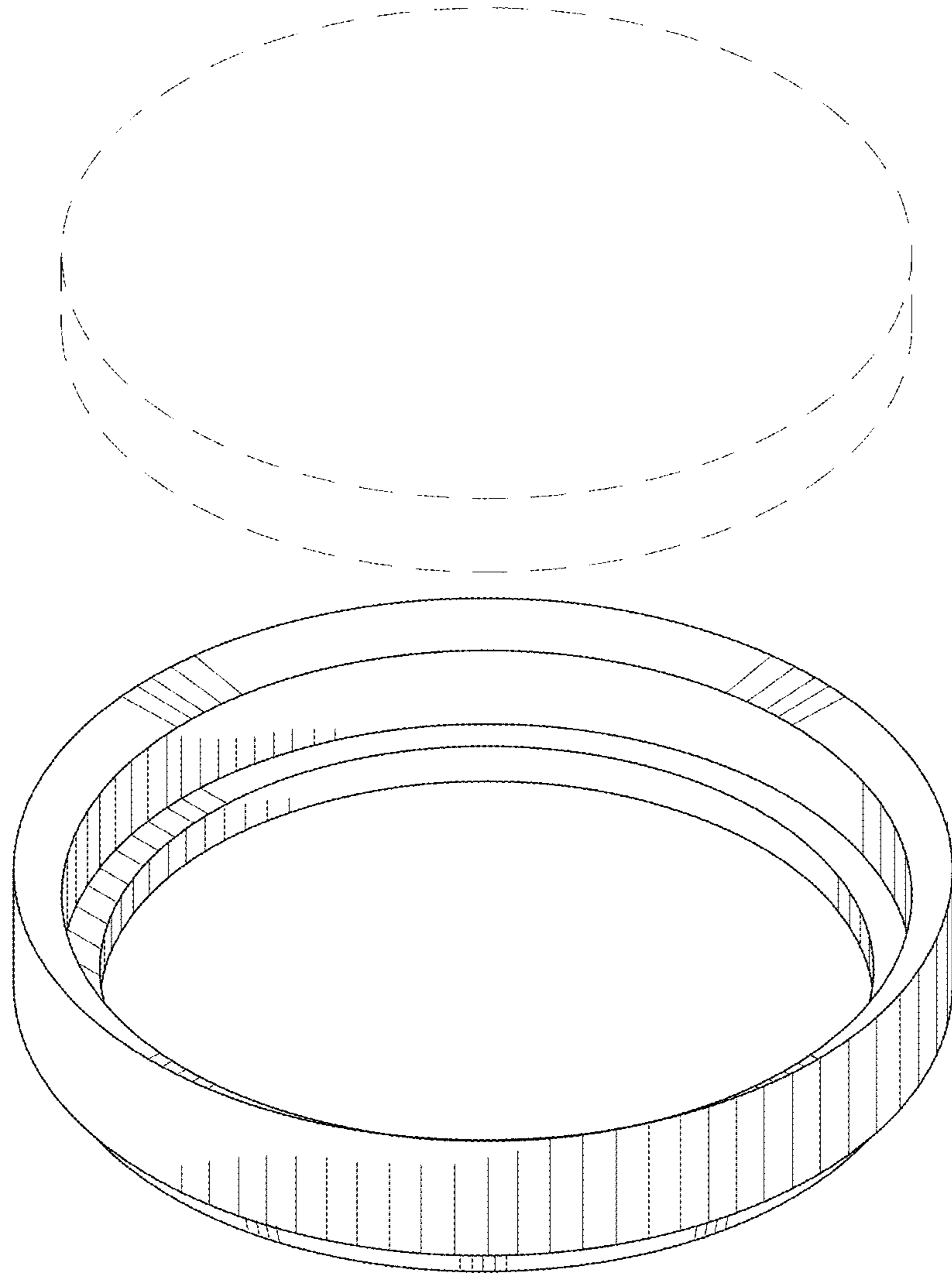


FIG. 8

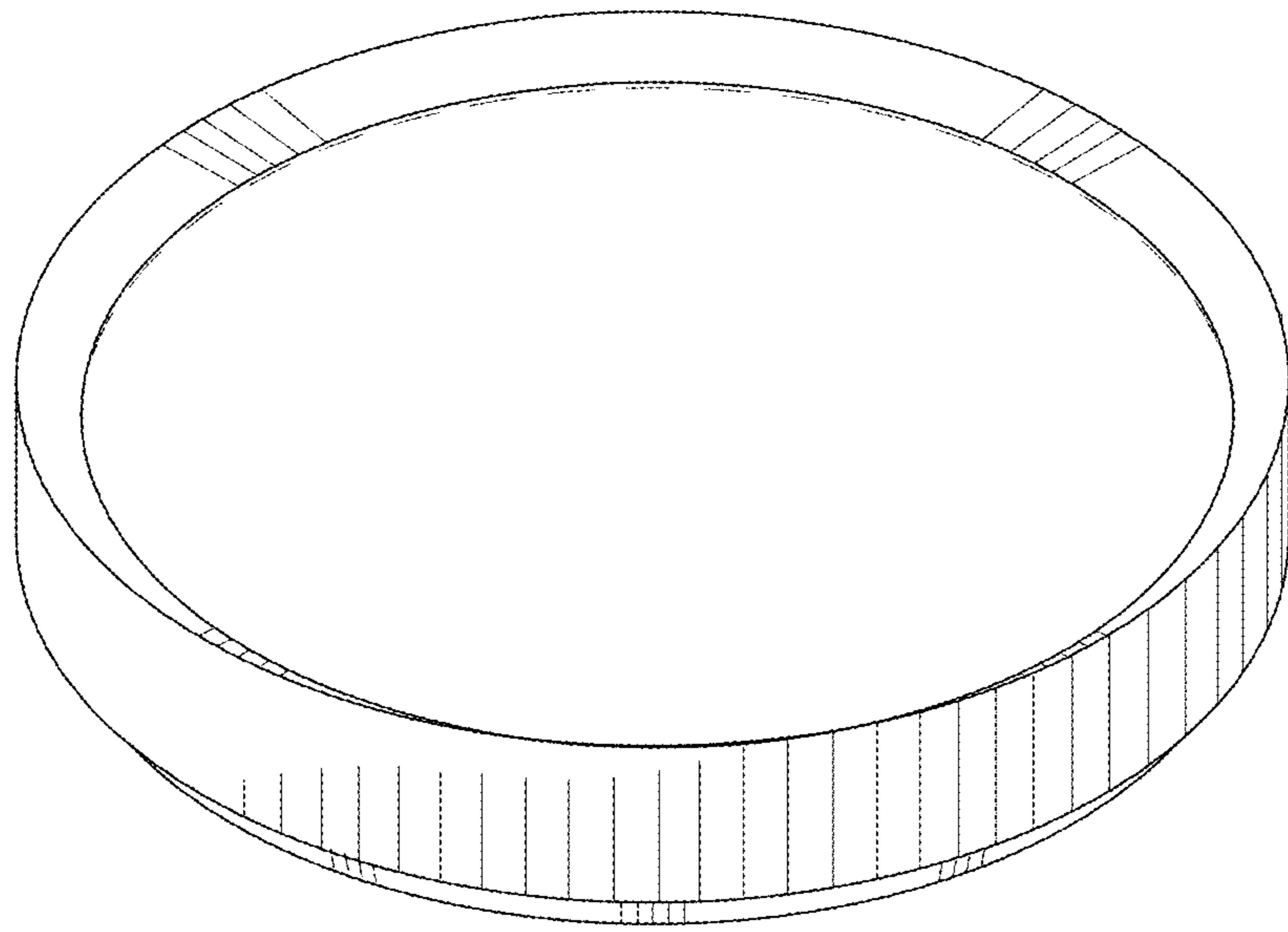


FIG. 9