



US00D984219S

(12) **United States Design Patent**  
**Sherwin et al.**

(10) **Patent No.:** **US D984,219 S**

(45) **Date of Patent:** **\*\* Apr. 25, 2023**

(54) **SOLAR AND BATTERY POWERED COOLER**

(71) Applicant: **Gosun Inc.**, Cincinnati, OH (US)

(72) Inventors: **Patrick Sherwin**, Cincinnati, OH (US);  
**Gary Starr**, Sausalito, CA (US)

(73) Assignee: **GOSUN INC.**, Cincinnati, OH (US)

(\*\*) Term: **15 Years**

(21) Appl. No.: **29/781,392**

(22) Filed: **Apr. 29, 2021**

(51) **LOC (14) Cl.** ..... **07-10**

(52) **U.S. Cl.**  
USPC ..... **D7/605**; D15/83

(58) **Field of Classification Search**  
USPC ..... D7/387, 601, 602, 605-608, 629, 709;  
D3/272-274, 276, 279, 283; D15/81, 83,  
D15/85, 86, 89  
CPC ..... B65D 81/38; B65D 81/3813; B65D  
81/3816; B65D 81/3818; B65D 81/382;  
B65D 81/3823; B65D 81/3825; B65D  
81/3827; B65D 81/383; B65D 81/3832;  
B65D 81/3834; F25D 3/02; F25D 3/06;  
F25D 3/08; F25D 3/105; F25D 3/107;  
F25D 3/125; F25D 3/14; F25D 11/00;  
F25D 11/003; A45C 11/20; A47G 23/04

See application file for complete search history.

(56) **References Cited**

**U.S. PATENT DOCUMENTS**

D416,447 S	*	11/1999	Levy	.....	D7/605
D429,606 S	*	8/2000	Israel	.....	D7/605
D502,059 S	*	2/2005	Bukowski	.....	D7/605
D527,225 S	*	8/2006	Krieger	.....	D7/605
D790,284 S	*	6/2017	Collins	.....	D7/605
D869,244 S	*	12/2019	Ellison	.....	D7/605

D908,442 S	*	1/2021	Bell	.....	D15/81
D917,977 S	*	5/2021	Brunner	.....	D7/605
D958,202 S	*	7/2022	Chen	.....	B65D 51/24 D15/79
D961,635 S	*	8/2022	Shi	.....	D15/83
D968,908 S	*	11/2022	Nomura	.....	D7/605
D969,176 S	*	11/2022	Zhao	.....	D15/79
2017/0245486 A1	*	8/2017	Larson	.....	B65D 51/24

**OTHER PUBLICATIONS**

GoSun Chillest Solar Cooler That Doesn't Need Ice, first available Jul. 2, 2021, Indiegogo, [online], [site visited Dec. 20, 2022], Available from internet URL: <https://www.indiegogo.com/projects/gosun-chillest-solar-cooler-that-doesn-t-need-ice#/> (Year: 2021).\*  
GoSun Chillest Electric Cooler Freezer, GoSun, [online], [site visited Dec. 20, 2022], Available from internet URL: <https://gosun.co/products/chillest> (Year: 2022).\*

\* cited by examiner

*Primary Examiner* — Mary Ann Calabrese  
*Assistant Examiner* — Natalya M Rapundalo

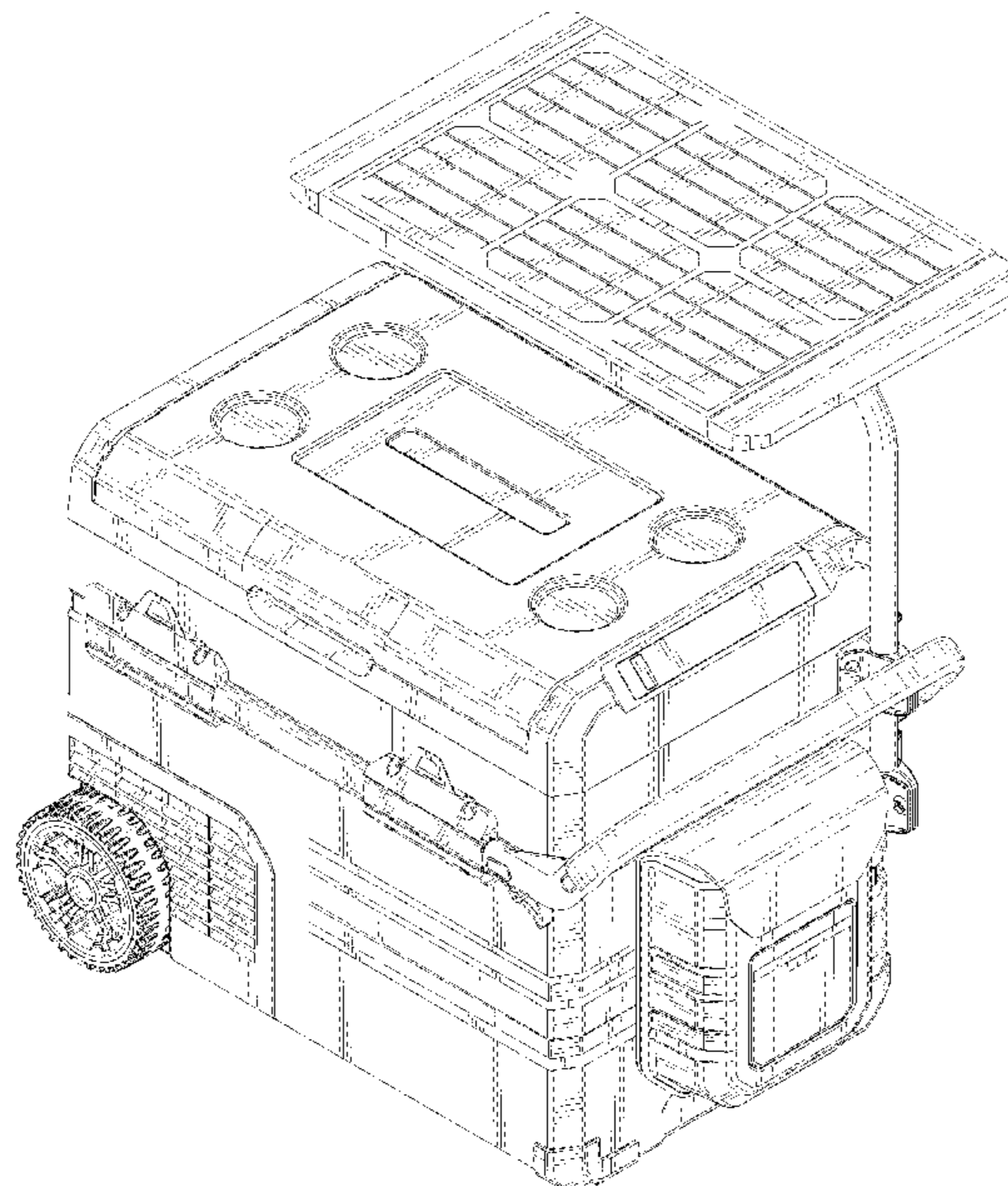
(57) **CLAIM**

The ornamental design for a solar and battery powered cooler, as shown and described.

**DESCRIPTION**

FIG. 1 is a top front perspective view of a solar and battery powered cooler showing my new design; FIG. 2 is a bottom rear perspective view thereof; FIG. 3 is a front elevational view thereof; FIG. 4 is a rear elevational view thereof; FIG. 5 is a top plan view thereof; FIG. 6 is a bottom plan view thereof; FIG. 7 is a right elevational view thereof; and, FIG. 8 is a left elevational view thereof.

**1 Claim, 8 Drawing Sheets**



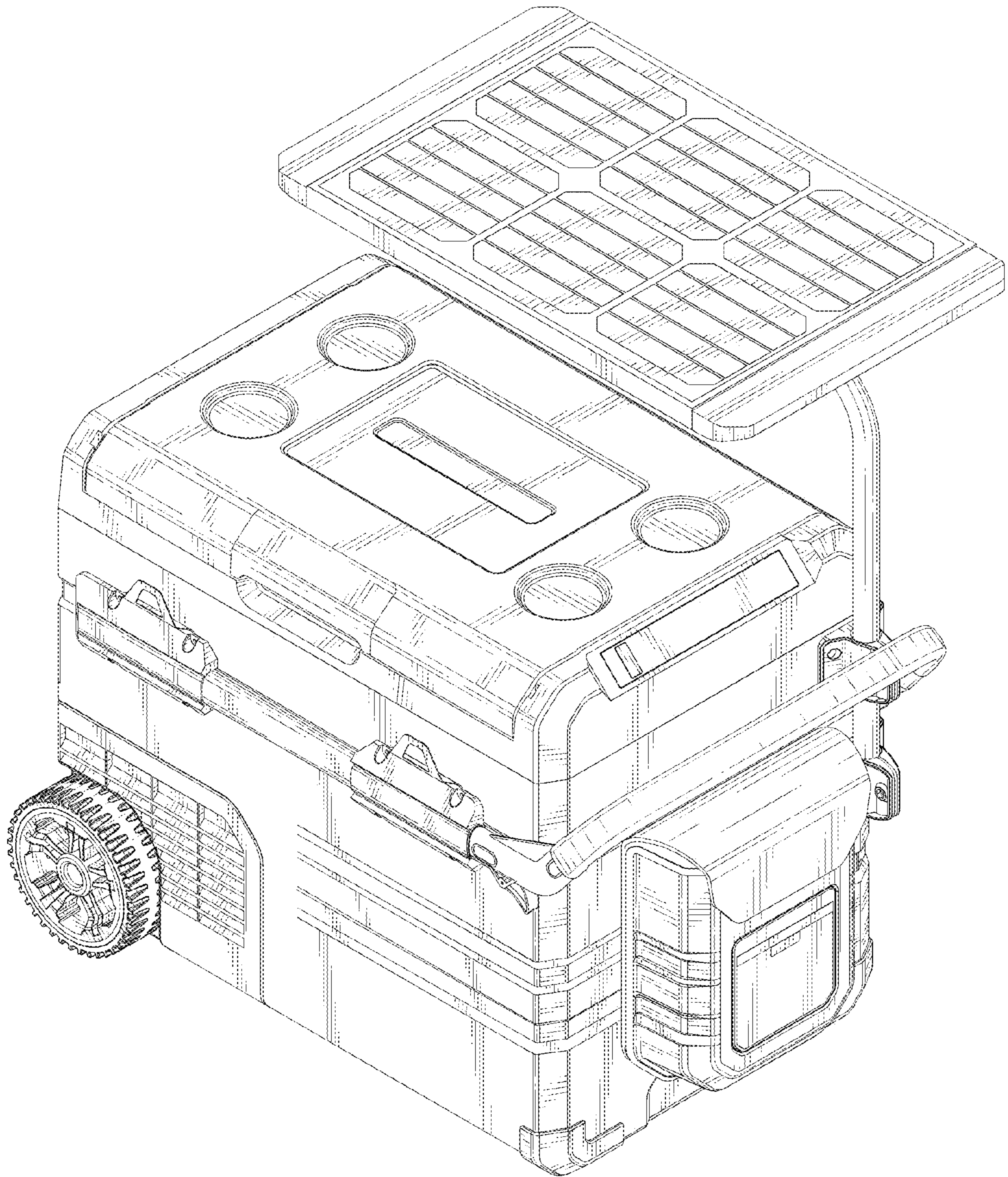


FIG. 1

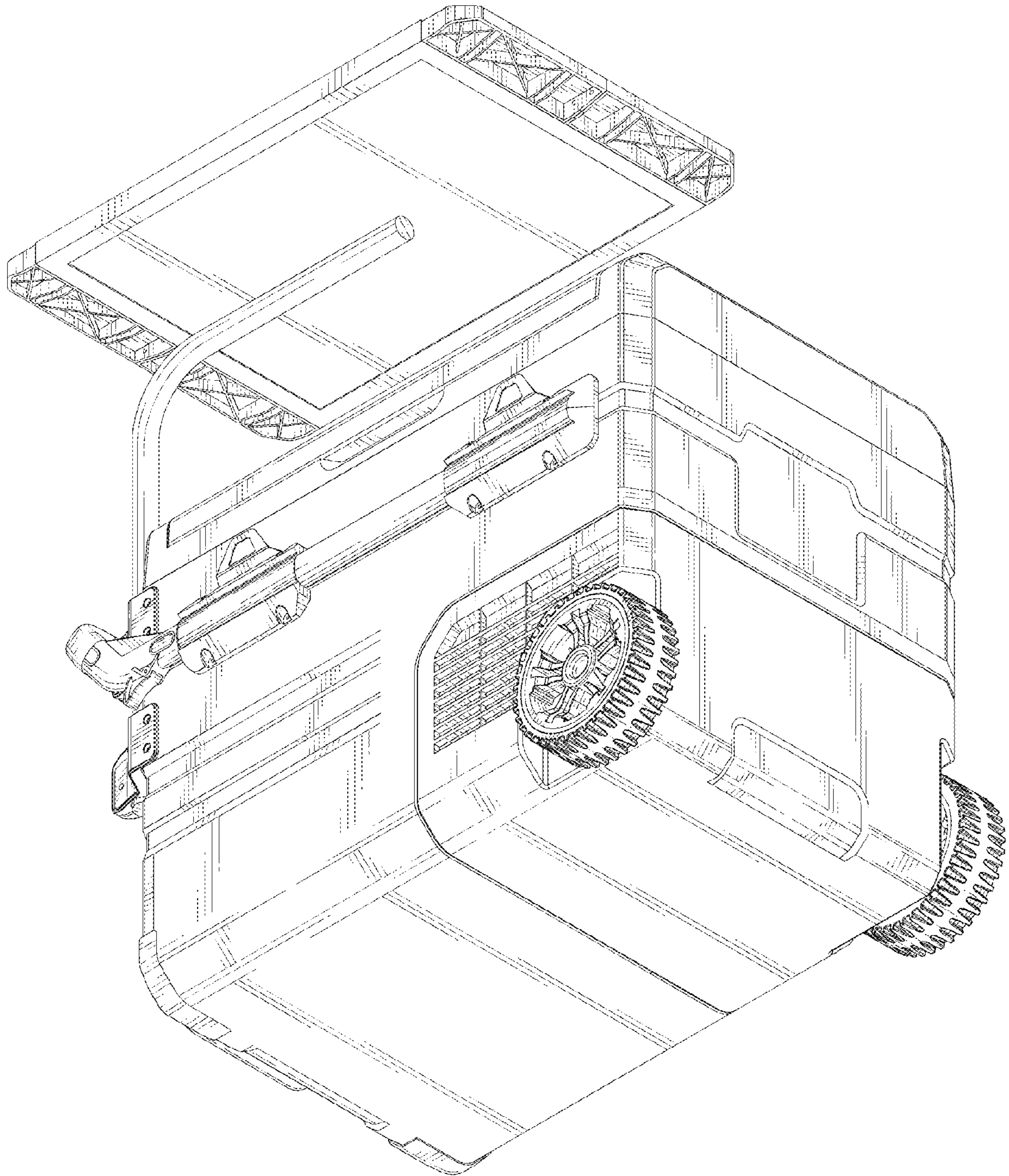


FIG. 2

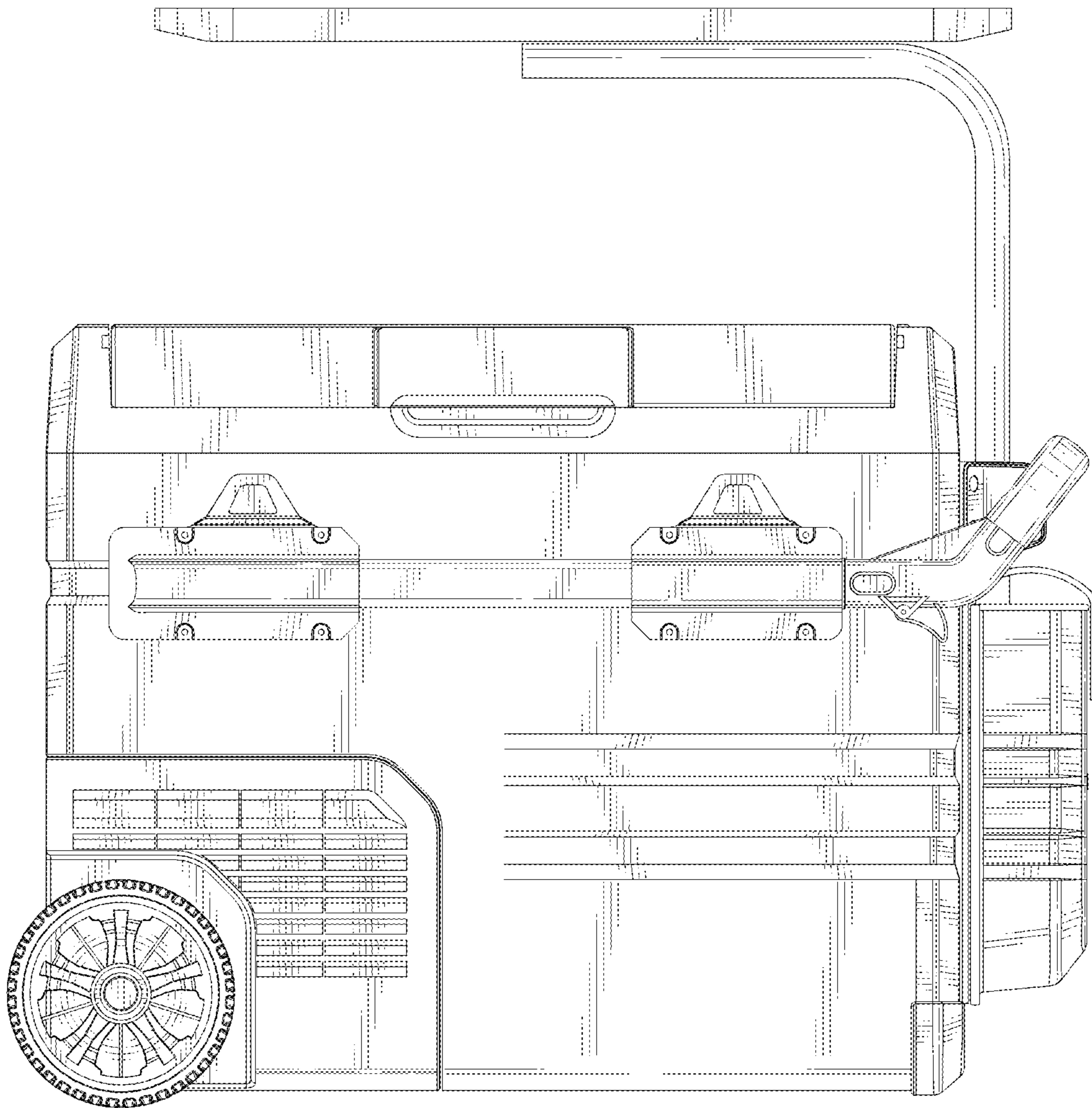


FIG. 3

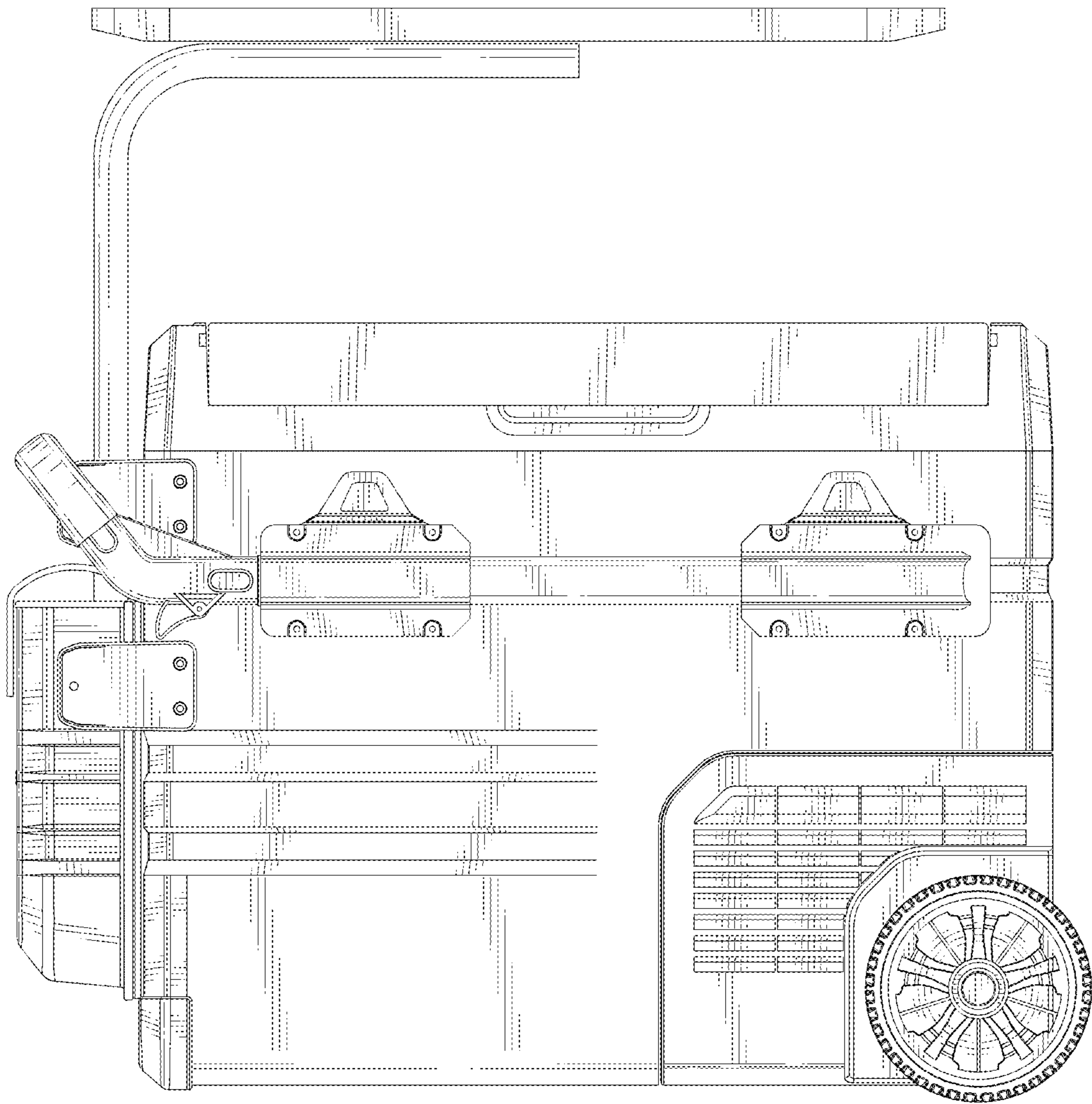


FIG. 4

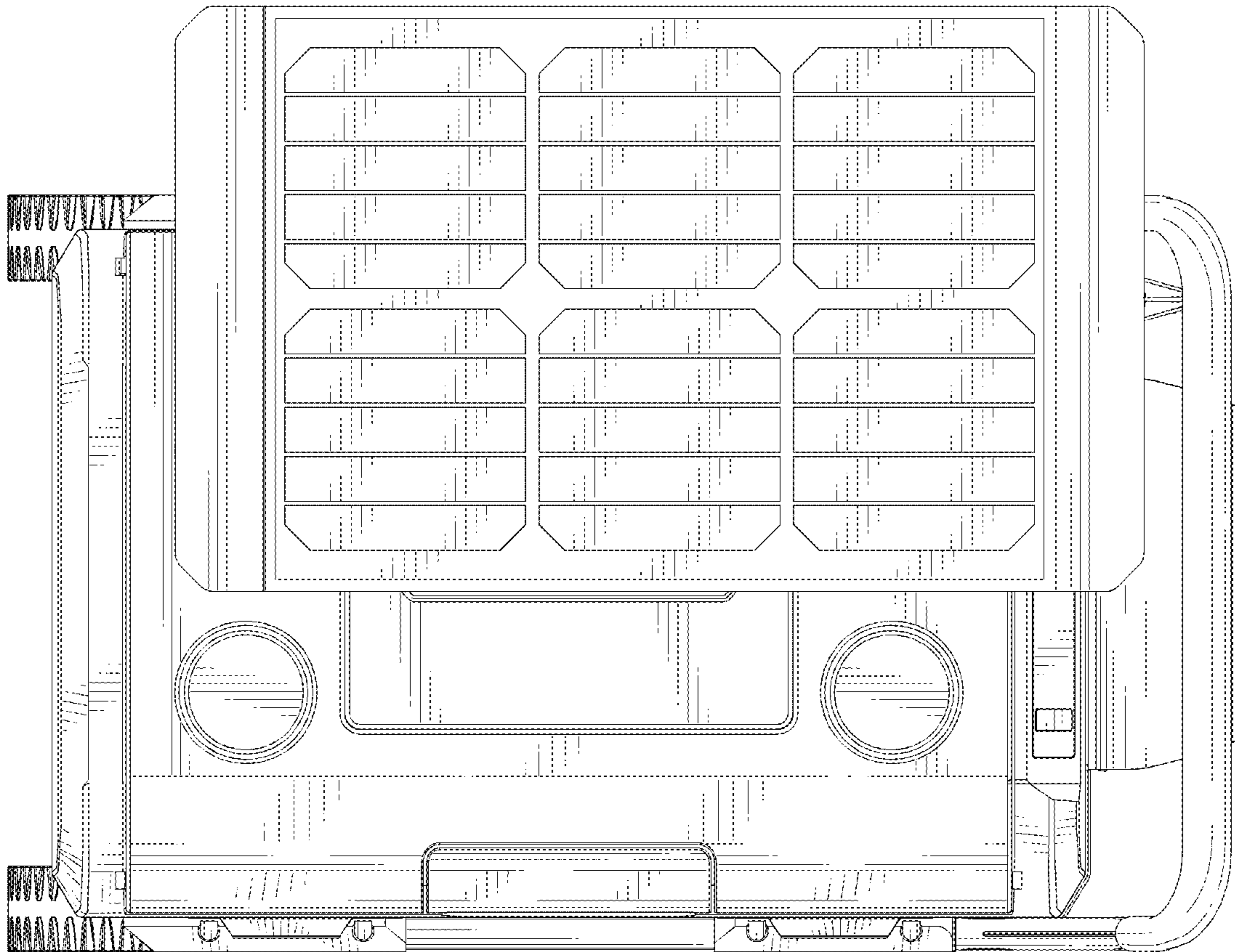


FIG. 5

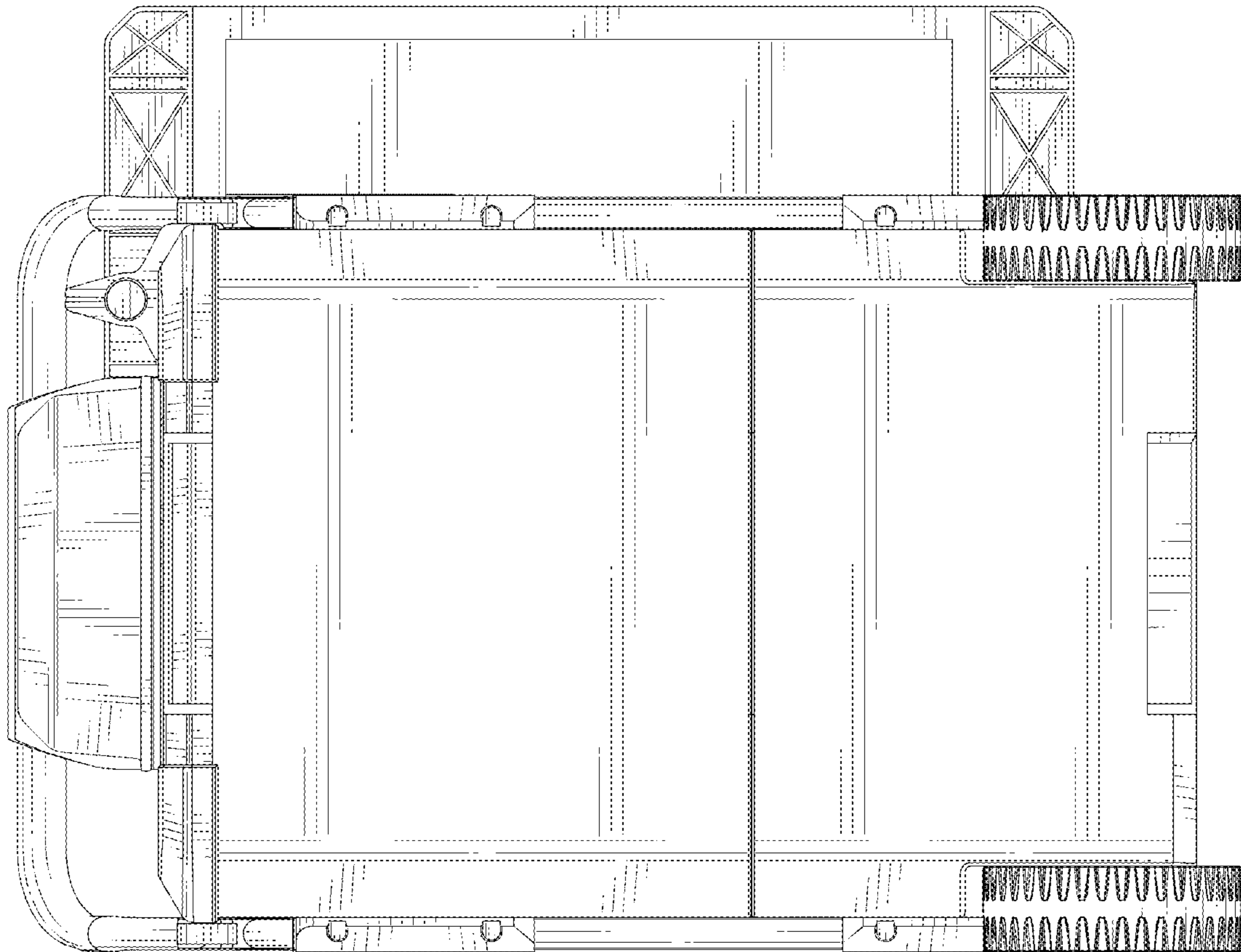


FIG. 6

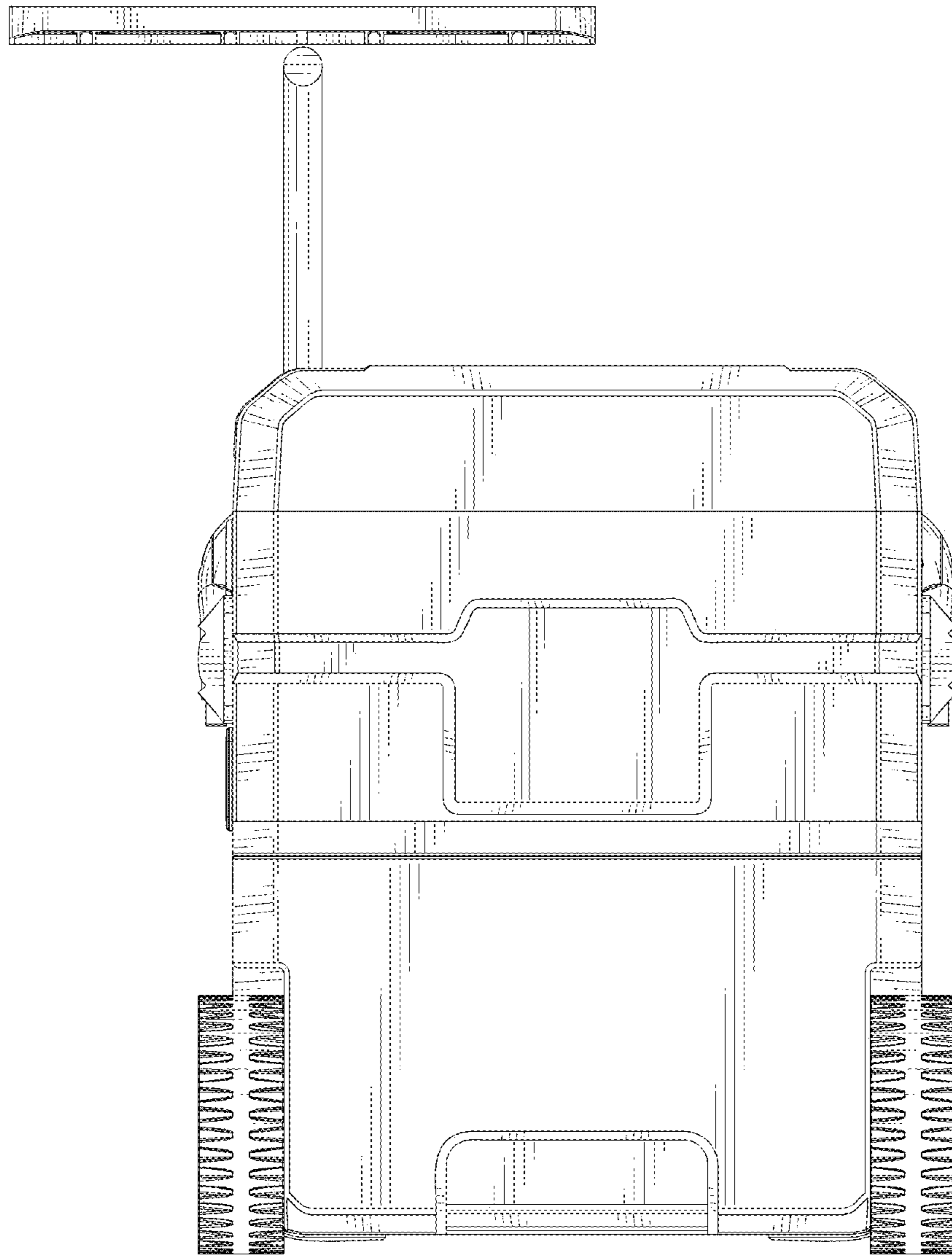


FIG. 7



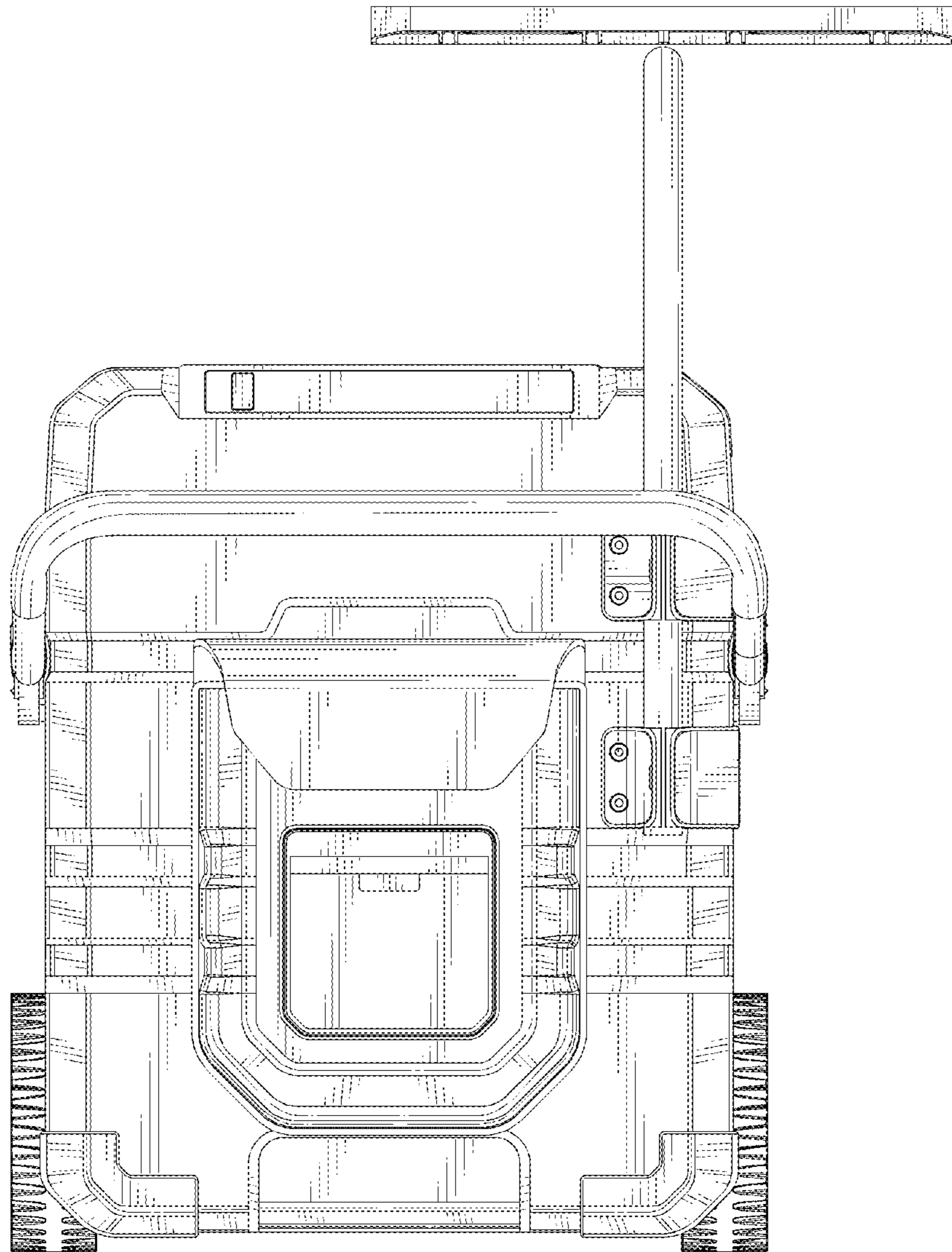


FIG. 8