



US00D984218S

(12) **United States Design Patent** (10) **Patent No.:** **US D984,218 S**
Yee et al. (45) **Date of Patent:** **** Apr. 25, 2023**

(54) **TUMBLER**

FOREIGN PATENT DOCUMENTS

(71) Applicant: **Dart Industries Inc.**, Orlando, FL (US)

CA 122658 * 6/2008
CN 307450708 * 7/2022

(72) Inventors: **Teo Sok Yee**, Singapore (SG); **João Moreira da Costa**, Wommel (BE); **Tijs Vanrijckeghem**, Zaffelare (BE)

(Continued)

(73) Assignee: **Dart Industries Inc.**, Orlando, FL (US)

OTHER PUBLICATIONS

(**) Term: **15 Years**

Huskee [online] URL: <https://www.amazon.com/Huskee-Cup-Natural-6-oz/dp/B07SRW6ZVS> (site visited: Dec. 22, 2022) (Year: 2020).*

(Continued)

(21) Appl. No.: **29/777,484**

Primary Examiner — Jae Liang

(22) Filed: **Apr. 6, 2021**

Assistant Examiner — Tia Ruth-Renee Polidori

(51) **LOC (14) Cl.** **07-01**

(74) *Attorney, Agent, or Firm* — Taylor J. Ross

(52) **U.S. Cl.**

USPC **D7/531**; D7/532

(58) **Field of Classification Search**

(57) **CLAIM**

USPC D7/507, 509, 510, 511, 513, 531, 532,
D7/523, 533, 392, 392.1, 396.1, 396.2,
D7/300.1, 608, 900, 536, 535, 548, 300,
D7/312, 314, 316, 318, 319, 320, 321,
D7/322, 300.2, 619.1, 622, 635; D3/202;
D9/716, 500, 531, 516, 549, 436, 440,
D9/447; D30/129, 130, 131, 162

The ornamental design for a tumbler, as shown and described.

CPC A47G 19/22; A47G 19/2288; A47G
19/2205; A47J 41/0077; A47J 41/0088

See application file for complete search history.

DESCRIPTION

(56) **References Cited**

U.S. PATENT DOCUMENTS

D130,857 S * 12/1941 Spence D7/531
D202,072 S * 8/1965 Hunter D7/608
D217,781 S * 6/1970 Stone D7/523
3,558,001 A * 1/1971 Fritz B65D 15/18
220/614
3,799,493 A * 3/1974 Beck A47J 43/20
249/134
D247,841 S * 5/1978 Seres D7/530
D248,358 S * 7/1978 Thomas D9/556
D265,462 S * 7/1982 Andrulionis D9/429

FIG. 1 is a bottom, front and left side isometric view of a tumbler showing our new design;

FIG. 2 is a top, front and right side isometric view thereof;

FIG. 3 is a bottom plan view thereof;

FIG. 4 is a top plan view thereof;

FIG. 5 is a front elevation view thereof, the rear elevation being identical thereto;

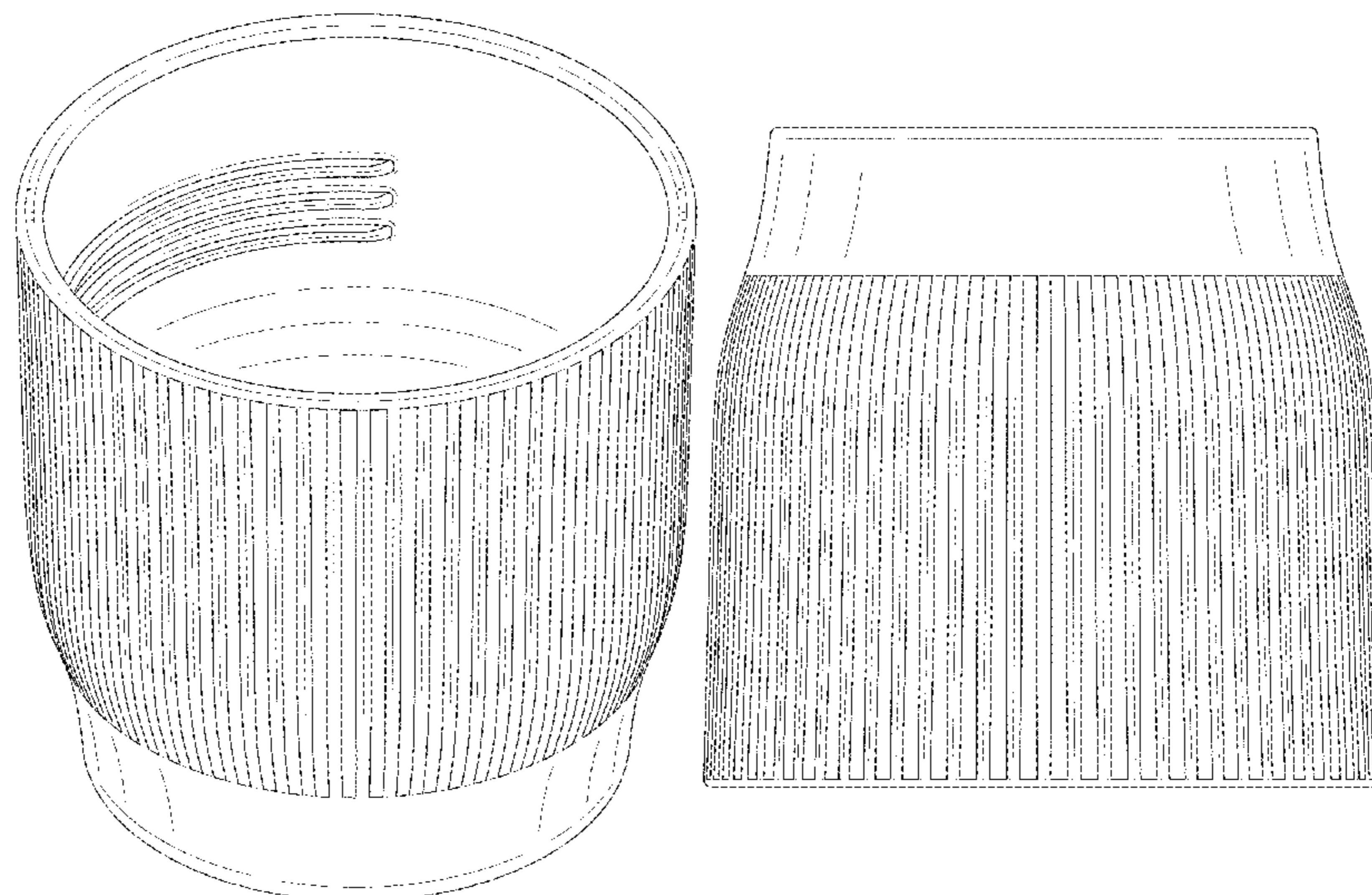
FIG. 6 is a left side elevation view, the right side being identical thereto;

FIG. 7 is a cross-sectional view taken along line 7-7 of FIG. 3; and,

FIG. 8 is a cross-sectional view taken along line 8-8 of FIG. 3.

The broken line arrows in FIG. 3 depict cross-sectional view indicia and form no part of the claimed design.

1 Claim, 8 Drawing Sheets



(56)

References Cited

U.S. PATENT DOCUMENTS

D276,115 S * 10/1984 Wiedeman D7/523
 D286,725 S * 11/1986 Zieff D7/531
 D323,097 S * 1/1992 Picozza D7/565
 D338,302 S * 8/1993 Shafer D34/1
 D390,422 S * 2/1998 Daenen D7/629
 D410,364 S * 6/1999 Ramirez D7/511
 D453,445 S * 2/2002 Sokolski D7/533
 D473,426 S * 4/2003 Jalet D7/545
 D493,668 S * 8/2004 Hsu D7/531
 D496,559 S * 9/2004 Bodum D7/510
 D522,805 S * 6/2006 Cheng D7/532
 D533,404 S * 12/2006 Mansfield D7/532
 D544,307 S * 6/2007 Ablo D7/542
 D573,390 S * 7/2008 Ablo D7/509
 D574,191 S 8/2008 Ablo
 D612,688 S * 3/2010 Bardolet D7/509
 D616,705 S * 6/2010 DuBois D7/510
 D621,666 S * 8/2010 Wahl D7/608
 D675,479 S * 2/2013 Phillips D7/509
 D718,577 S * 12/2014 Gonzales D7/531
 D757,536 S * 5/2016 Norton D9/429
 D780,526 S * 3/2017 Liljedahl D9/551
 D819,405 S * 6/2018 Li D7/531
 D821,138 S * 6/2018 Silsby D7/300.1
 D834,373 S * 11/2018 Spivey D7/532
 D871,849 S * 1/2020 Ko D7/530
 D925,289 S * 7/2021 Hume D7/532
 D932,065 S * 9/2021 Mecker D26/9
 D972,367 S * 12/2022 Ko D7/530

FOREIGN PATENT DOCUMENTS

CN 307844491 * 2/2023
 EM 015008433-0002 * 1/2023
 JP D1533674 * 9/2015
 JP D1734952 * 1/2023
 JP D1736444 * 2/2023
 WO WOD219192-001 * 2/2023

OTHER PUBLICATIONS

Night and Day [online] URL: <https://fromourplace.com/products/night-day-glasses> (site visited: Dec. 22, 2022) (Year: 2020).*

Spinning Helix [online] URL: <https://www.hammacher.com/product/spinning-helix-whiskey-aerating-glass> (site visited: Dec. 22, 2022) (Year: 2020).*

Cambro [online] URL: https://www.katom.com/144-NT9152.html?gclid=EAIaIQobChMI9J3ymbSO_AIVGYTIC3pngGxEAkYDCABEGLaZfD_BwE (site visited: Dec. 22, 2022) (Year: 2022).*

Hotel Collection [online] URL: <https://www.macys.com/shop/product/hotel-collection-fluted-glassware-collection?ID=13868945> (site visited: Dec. 22, 2022) (Year: 2022).*

Pillar [online] URL: <https://www.agustinabottoni.com/shop/p/pillar-tumbler-glass> (site visited: Dec. 22, 2022) (Year: 2022).*

Studio 3B [online] URL: <https://www.bedbathandbeyond.com/store/product/studio-3b-textured-double-old-fashioned-glass-in-grey/5635703> (site visited: Dec. 22, 2022) (Year: 2022).*

* cited by examiner

FIG. 1

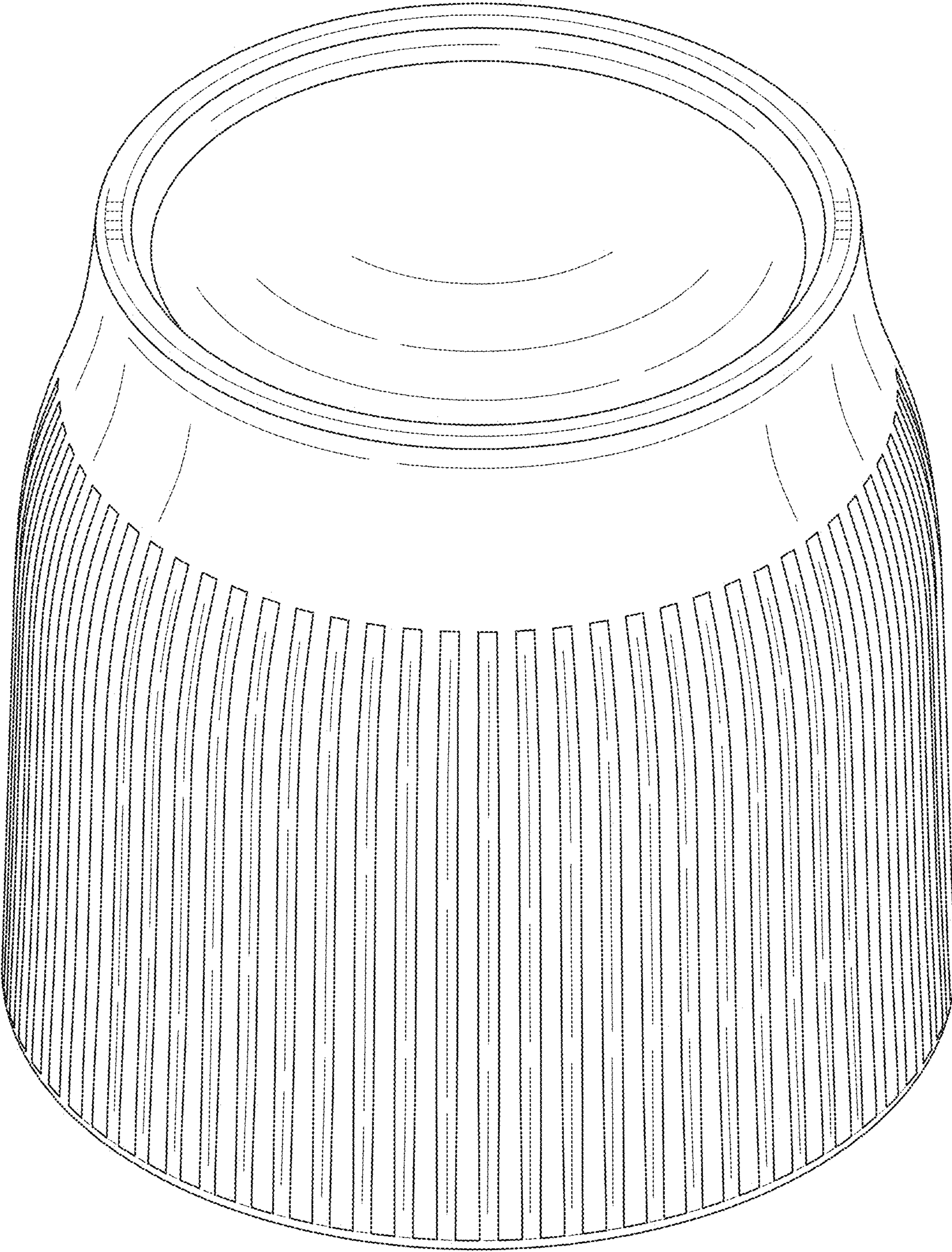


FIG. 2

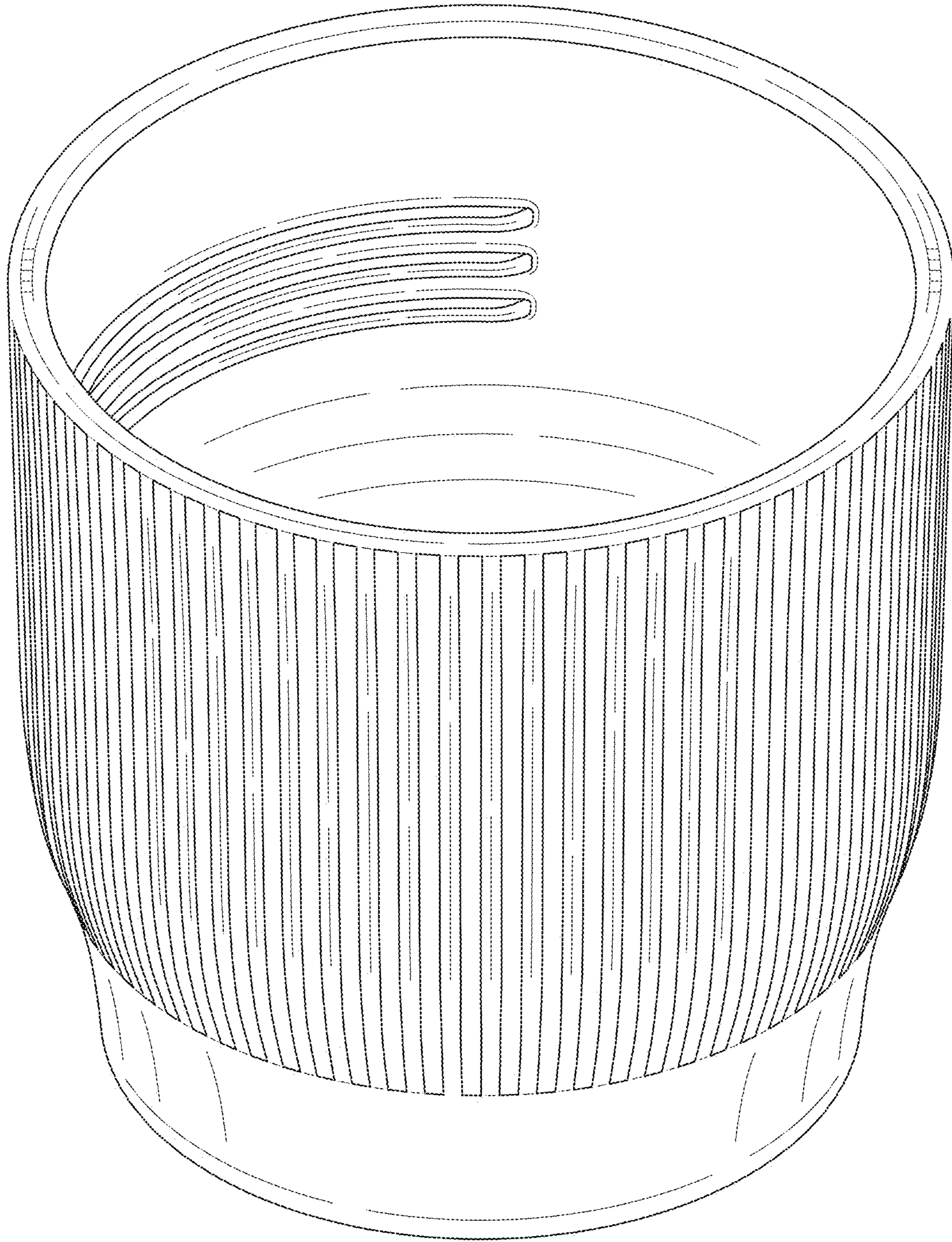


FIG. 3

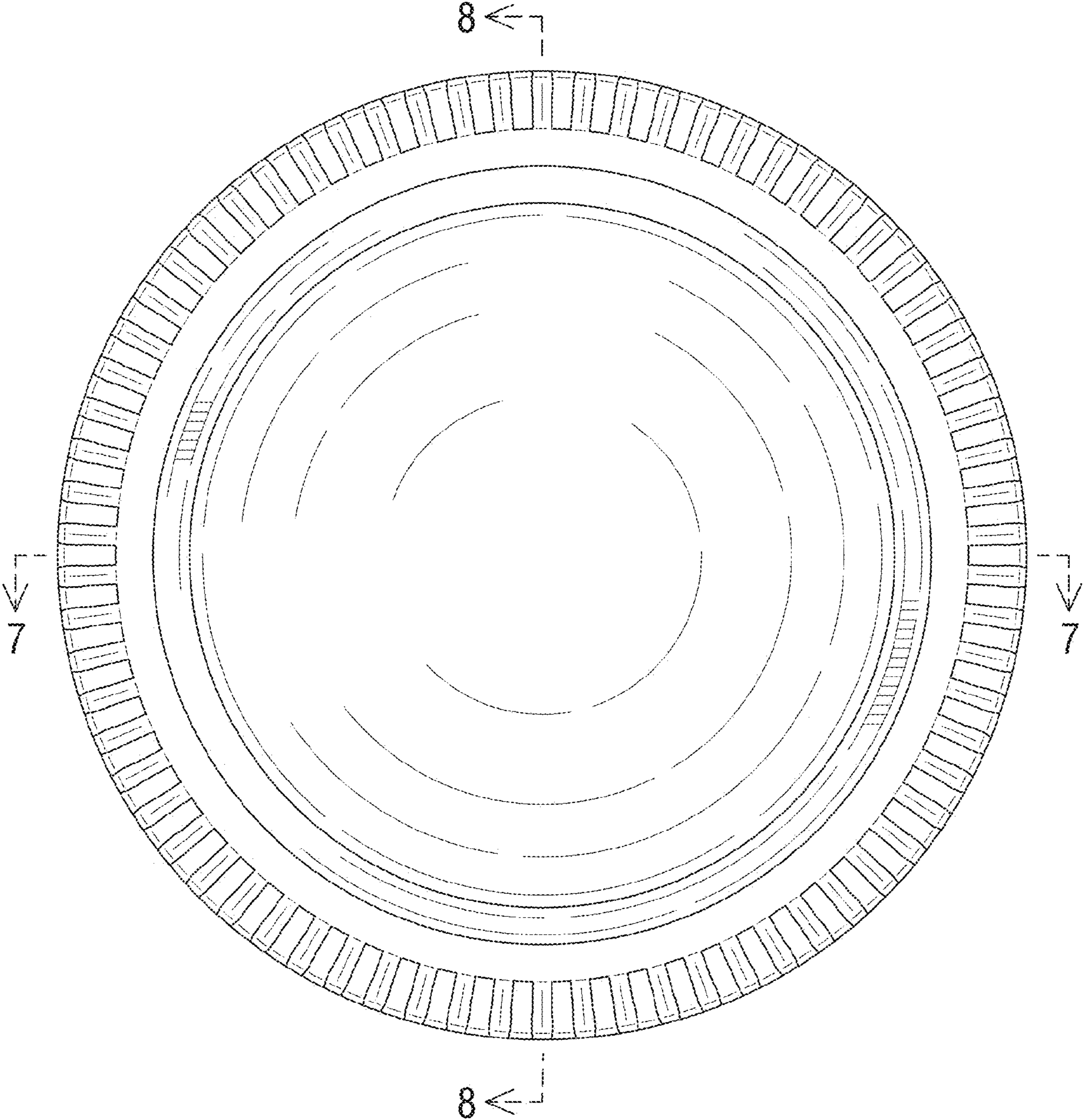


FIG. 4

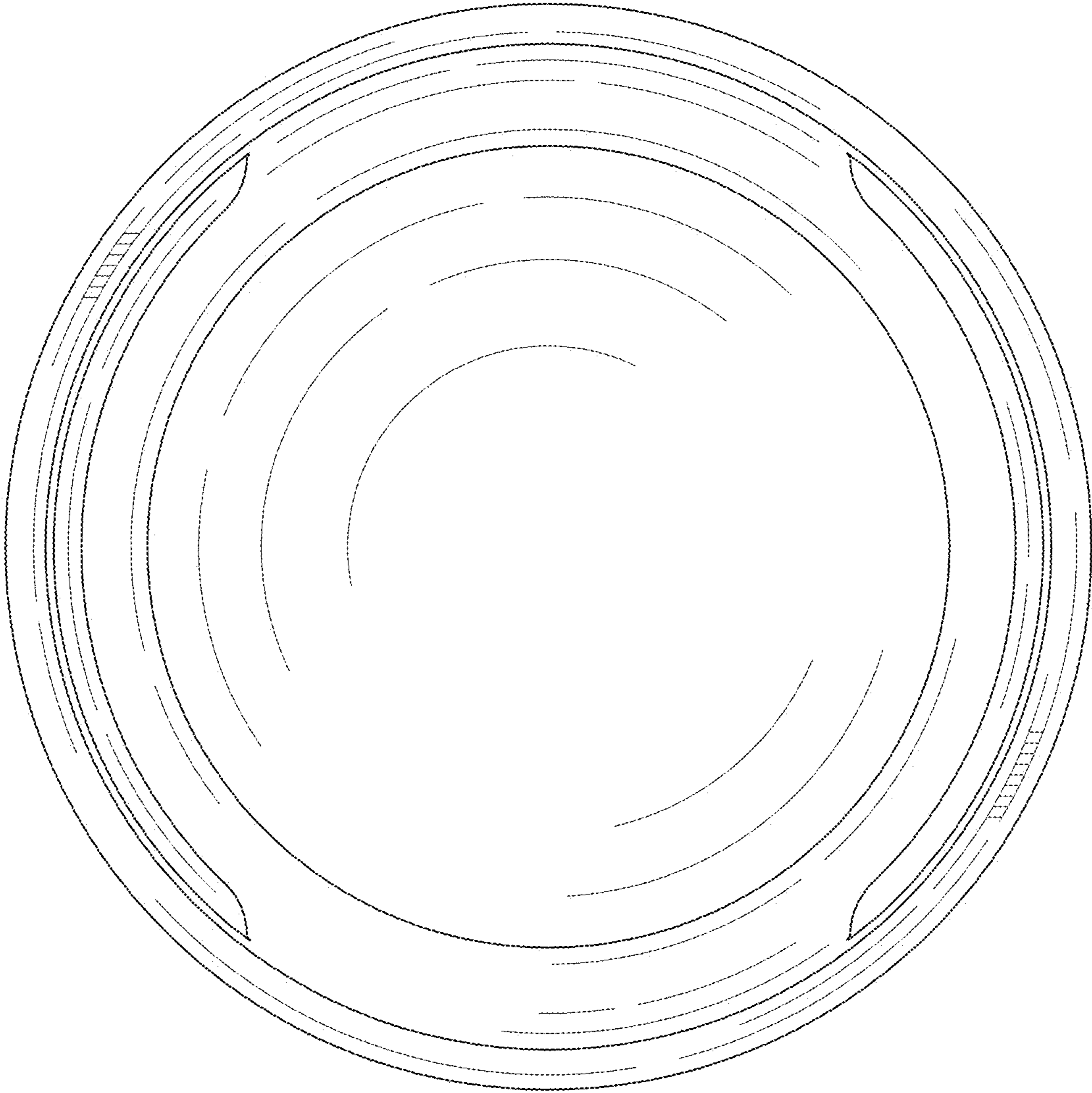


FIG. 5

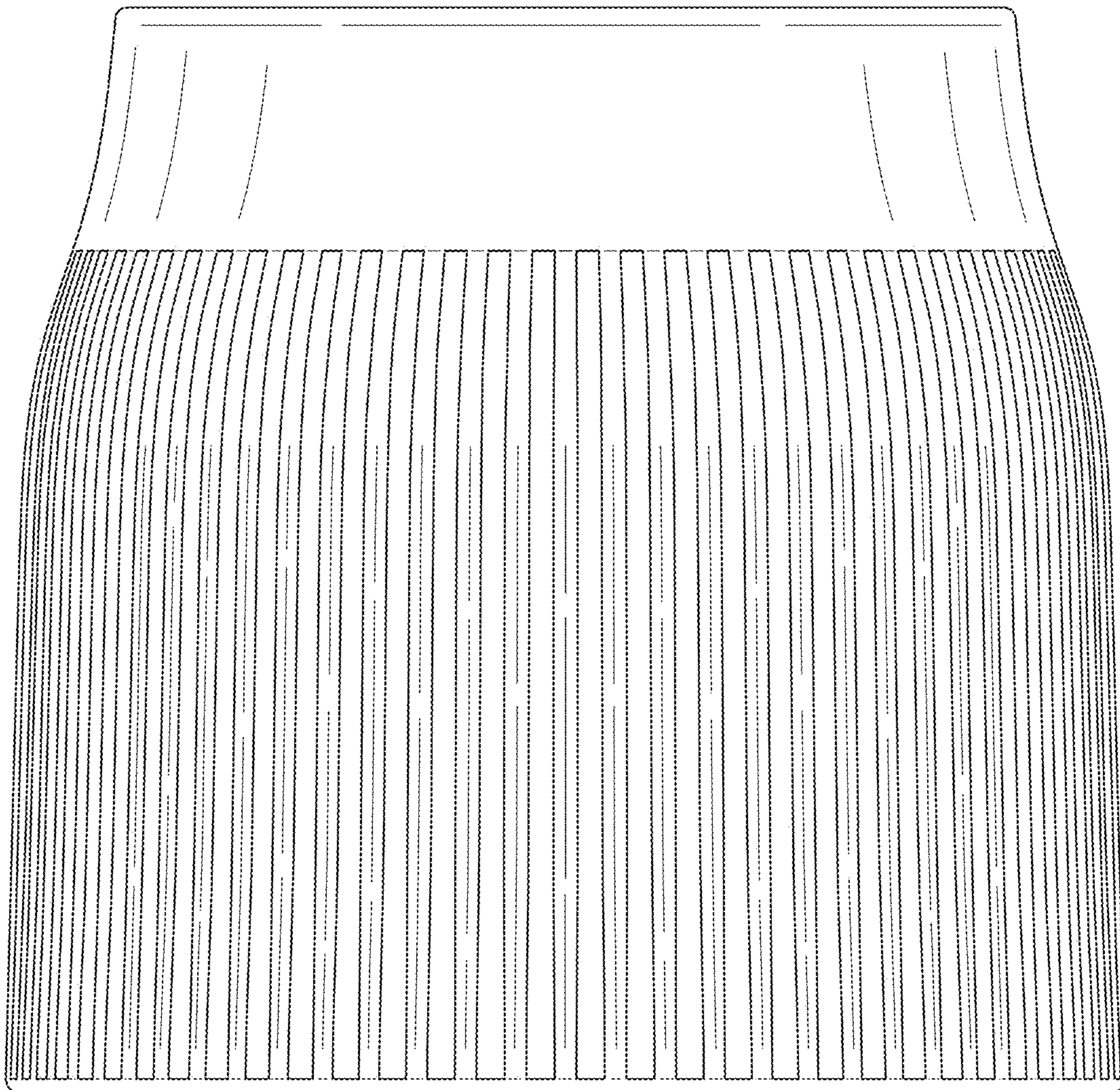


FIG. 6

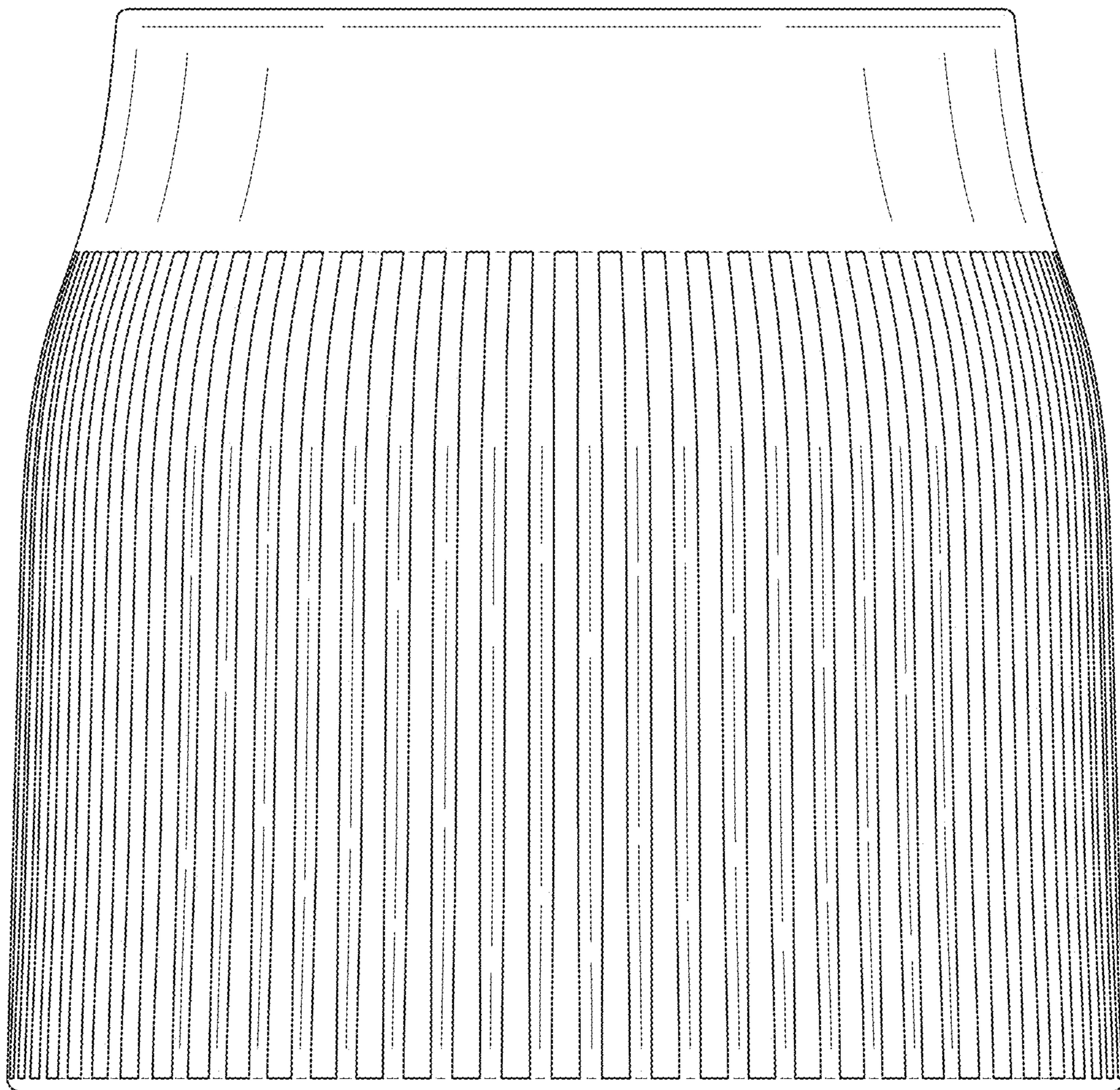


FIG. 7

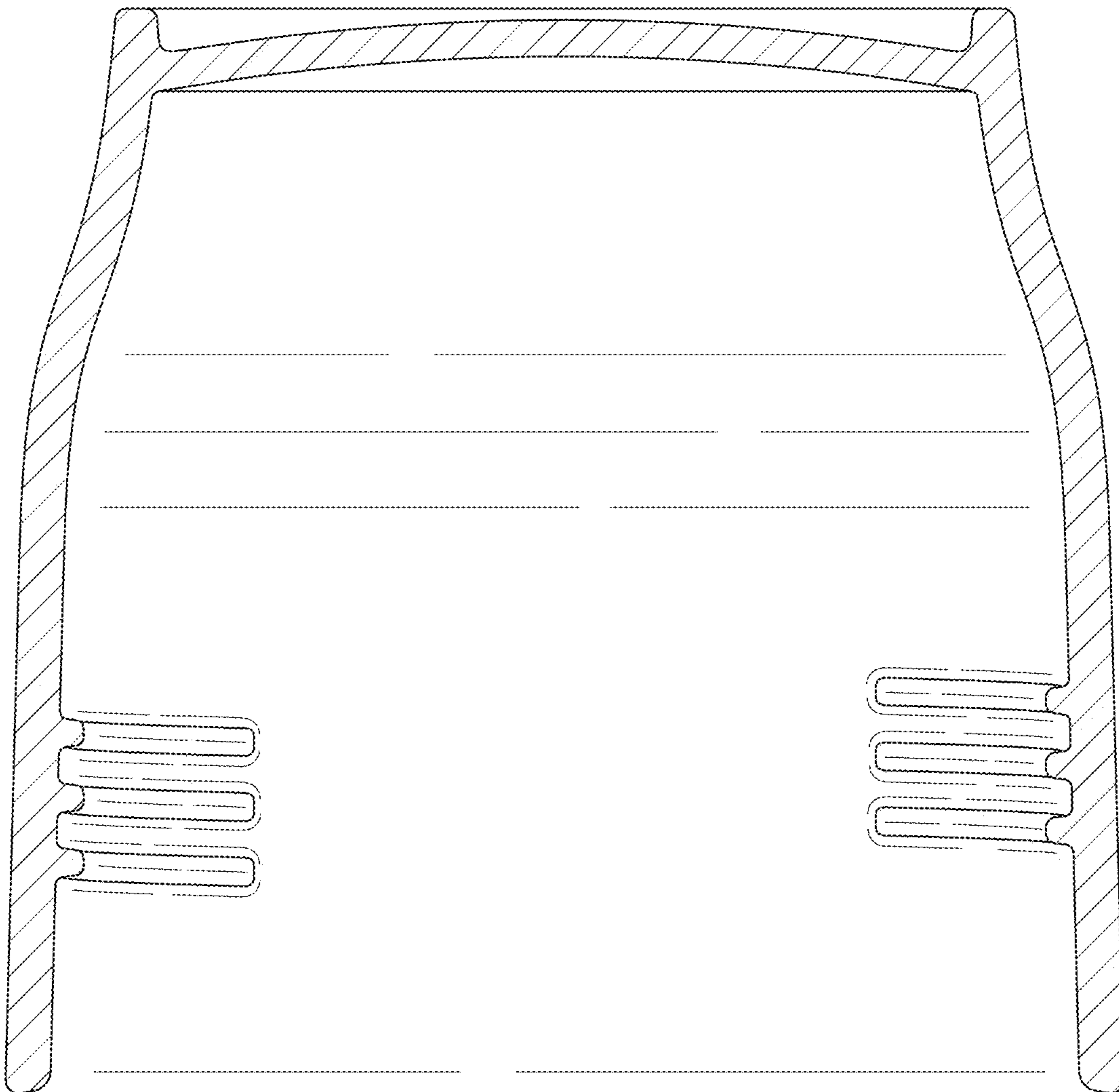


FIG. 8

