



US00D984216S

(12) **United States Design Patent** (10) **Patent No.:** **US D984,216 S**
Wahl et al. (45) **Date of Patent:** **** *Apr. 25, 2023**

(54) **BEVERAGE CONTAINER**

FOREIGN PATENT DOCUMENTS

(71) Applicant: **Pacific Market International, LLC**,
Seattle, WA (US)

CA 180105 S 12/2018
CA 185598 S 1/2020

(Continued)

(72) Inventors: **Andrew C. F. Wahl**, Seattle, WA (US);
Matthew Kenneth Dolph, Seattle, WA
(US)

OTHER PUBLICATIONS

Coleman, "Coleman Company 0.5-Gallon Jug," Jul. 23, 2014,
Amazon.com, www.amazon.com/dp/BOOM1SB3DW (Year: 2014).

(Continued)

(73) Assignee: **Pacific Market International, LLC**,
Seattle, WA (US)

(*) Notice: This patent is subject to a terminal dis-
claimer.

Primary Examiner — Joseph Kukella

Assistant Examiner — Arva P Adams

(74) *Attorney, Agent, or Firm* — Merchant & Gould, P.C.

(**) Term: **15 Years**

(57) **CLAIM**

The ornamental design for a beverage container, as shown
and described.

(21) Appl. No.: **29/802,546**

DESCRIPTION

(22) Filed: **Aug. 5, 2021**

FIG. 1 is a top perspective view of a beverage container
showing our new design.

FIG. 2 is a bottom perspective view thereof.

FIG. 3 is a right side elevational view thereof.

FIG. 4 is a front elevational view thereof.

FIG. 5 is a rear elevational view thereof.

FIG. 6 is a left side elevational view thereof.

FIG. 7 is a top plan view thereof.

FIG. 8 is a bottom plan view thereof.

FIG. 9 is a top perspective view of a second embodiment
thereof.

FIG. 10 is a bottom perspective view thereof.

FIG. 11 is a right side elevational view thereof.

FIG. 12 is a front elevational view thereof.

FIG. 13 is a rear elevational view thereof.

FIG. 14 is a left side elevational view thereof.

FIG. 15 is a top plan view thereof; and,

FIG. 16 is a bottom plan view thereof.

The broken lines depict portions of the beverage container
that form no part of the claimed design.

Related U.S. Application Data

(62) Division of application No. 29/713,505, filed on Nov.
15, 2019, now Pat. No. Des. 929,184.

(51) **LOC (14) Cl.** **07-01**

(52) **U.S. Cl.**

USPC **D7/511**; D7/608; D9/532

(58) **Field of Classification Search**

USPC D3/202; D7/300, 300.1, 392.1, 396.2,
D7/500–505, 507, 509–511, 532, 533,
(Continued)

(56) **References Cited**

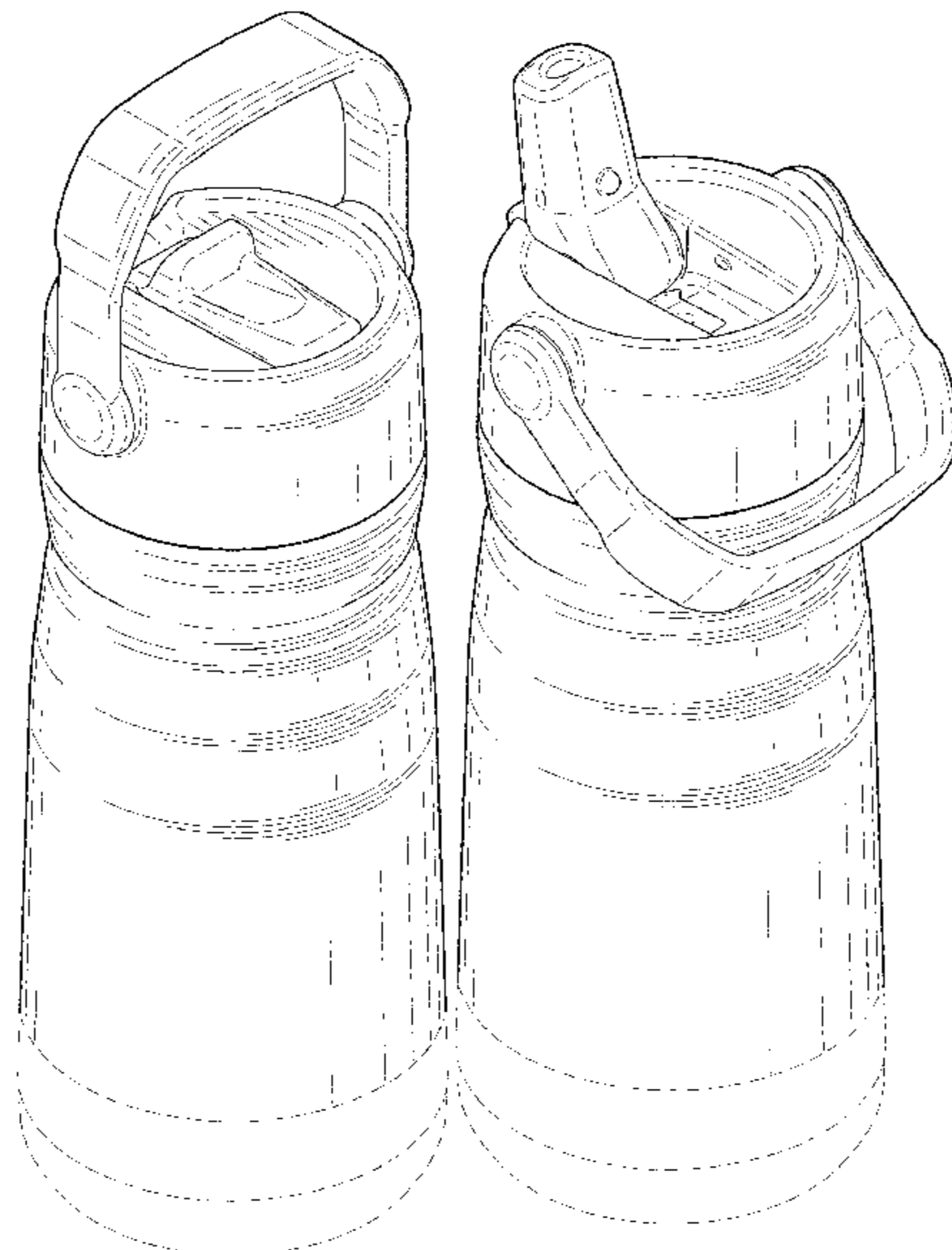
U.S. PATENT DOCUMENTS

D233,641 S * 11/1974 Roche D9/532

D262,856 S * 2/1982 MacTavish D7/320

(Continued)

1 Claim, 14 Drawing Sheets



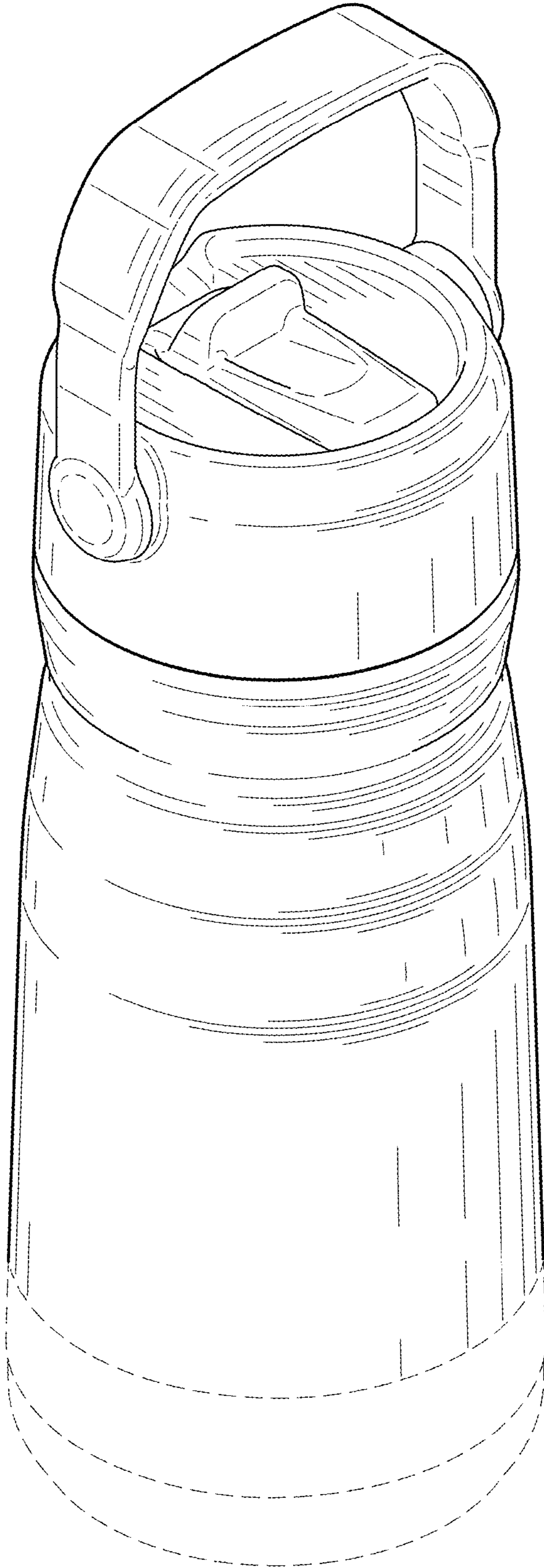


FIG. 1

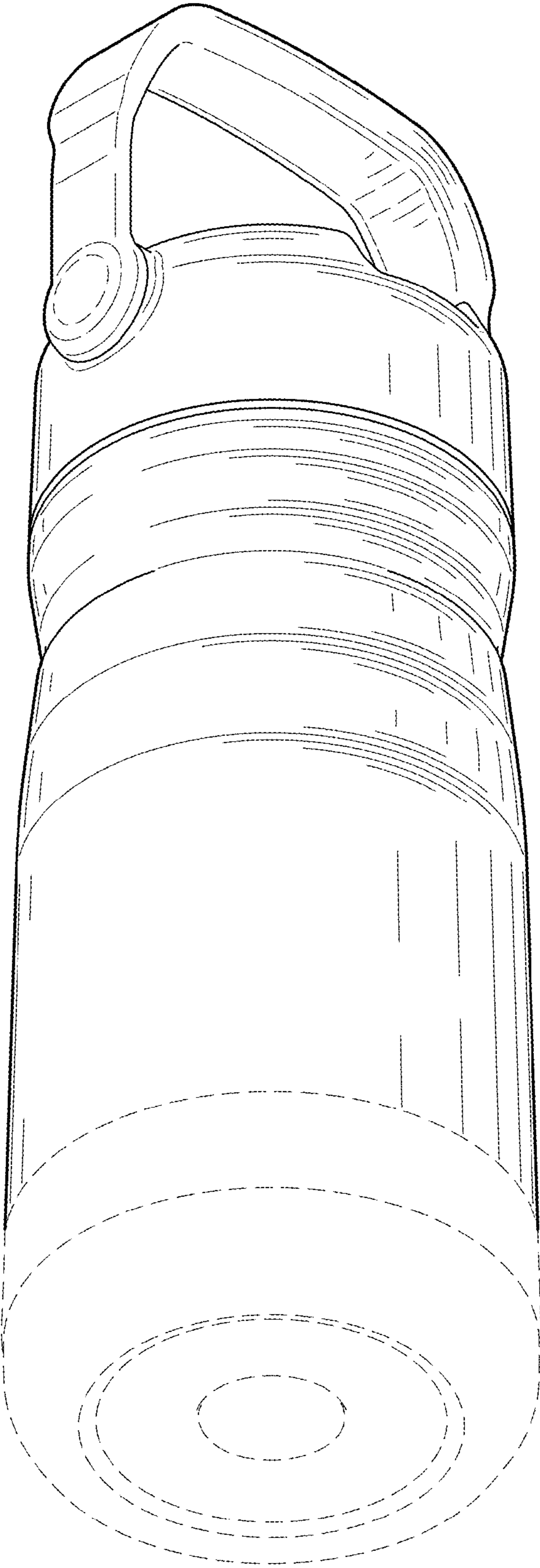


FIG. 2

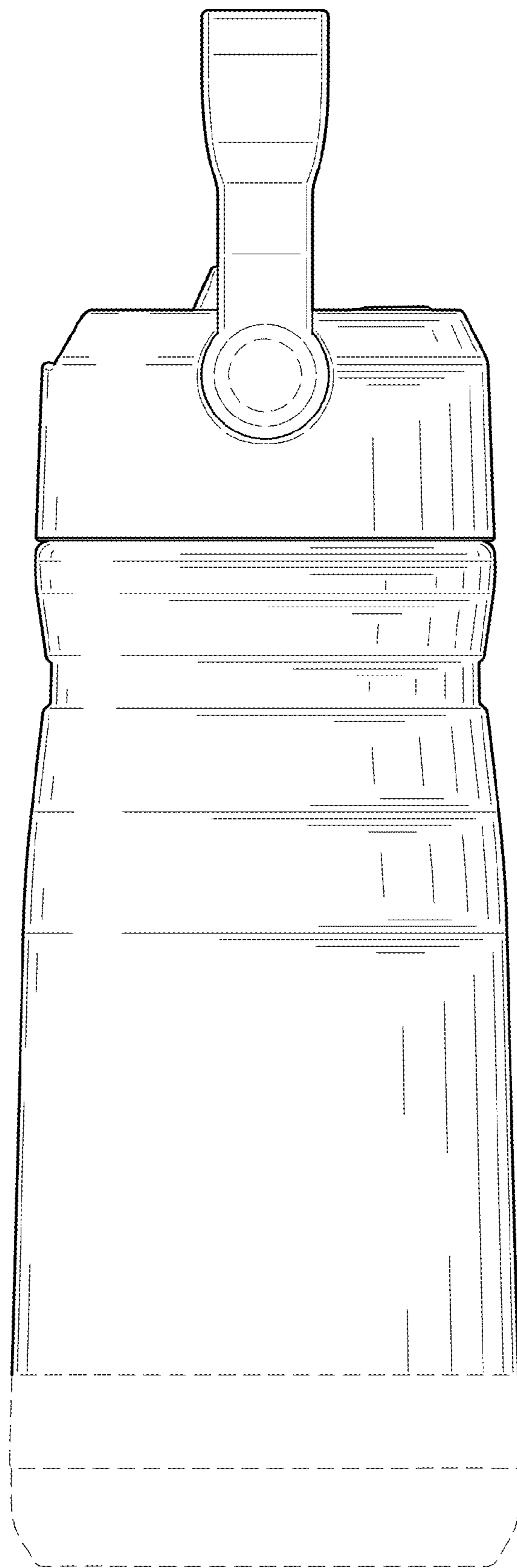


FIG. 3

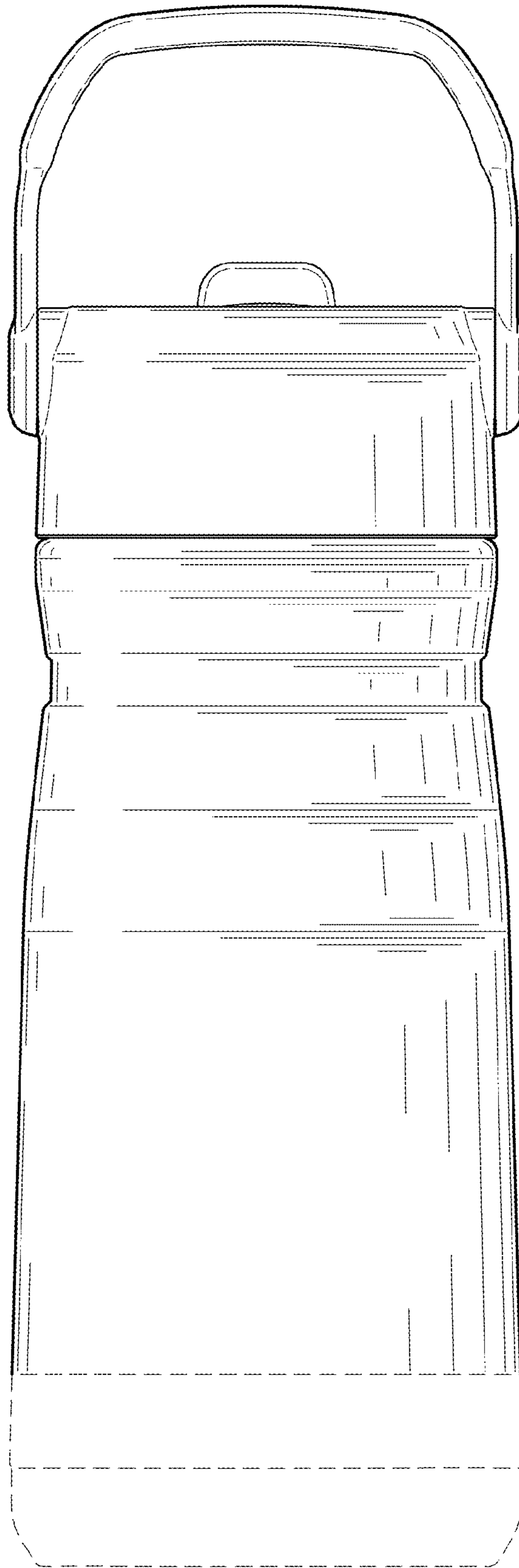


FIG. 4

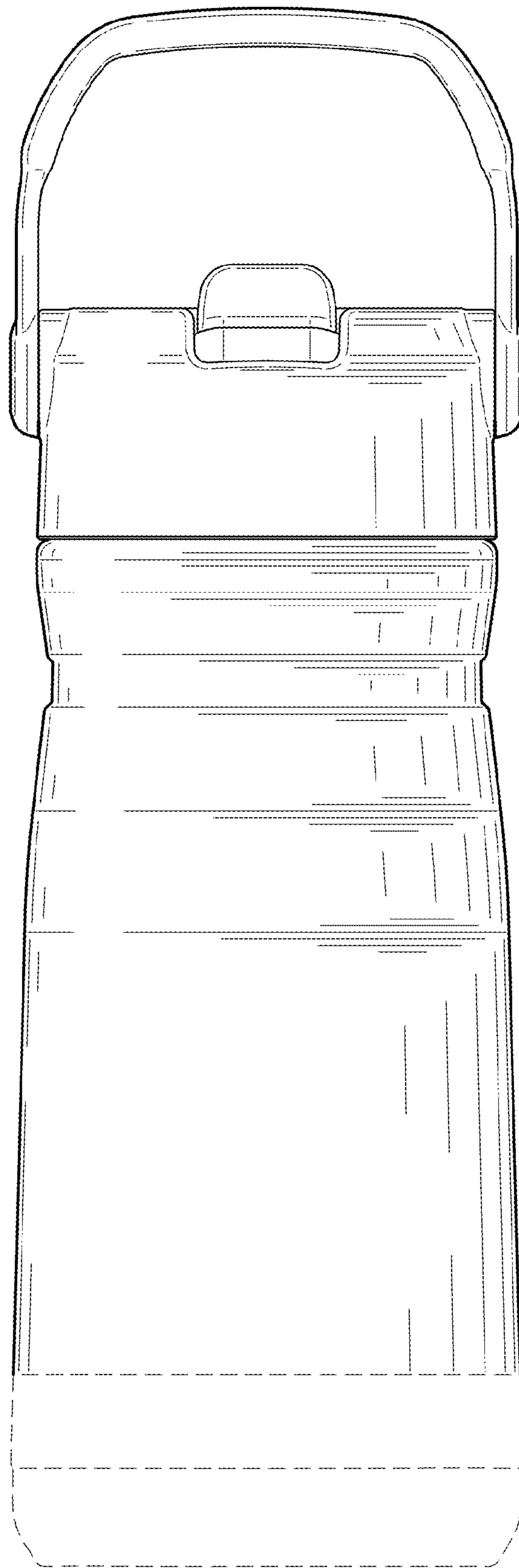


FIG. 5

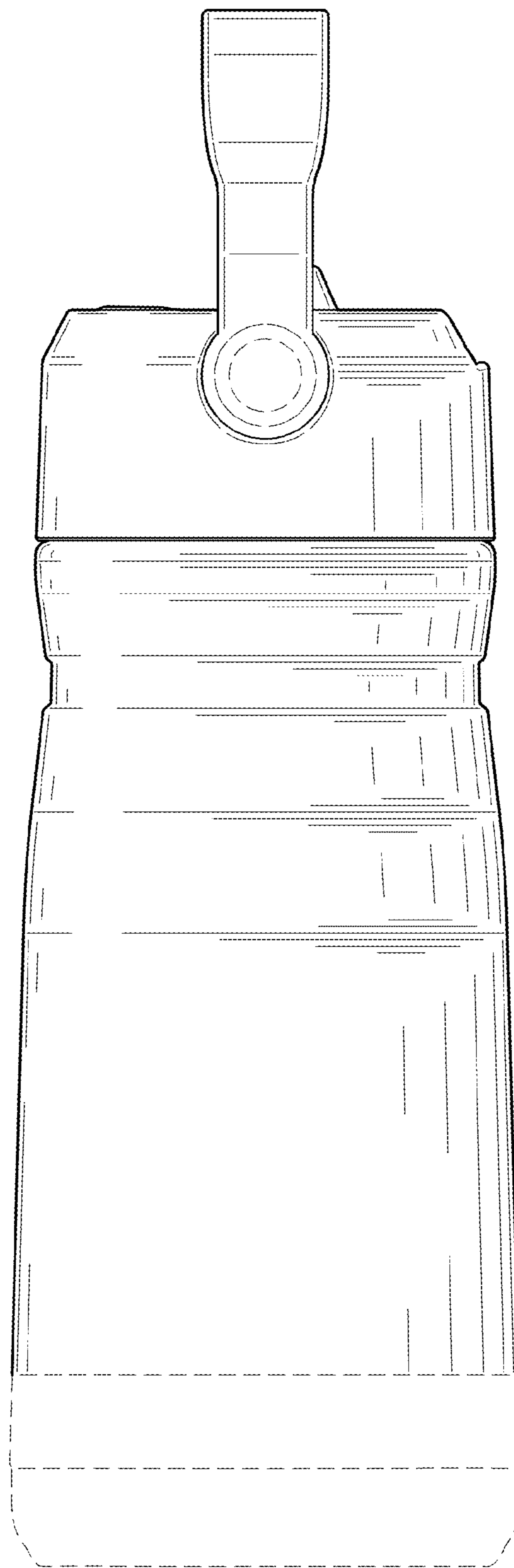


FIG. 6

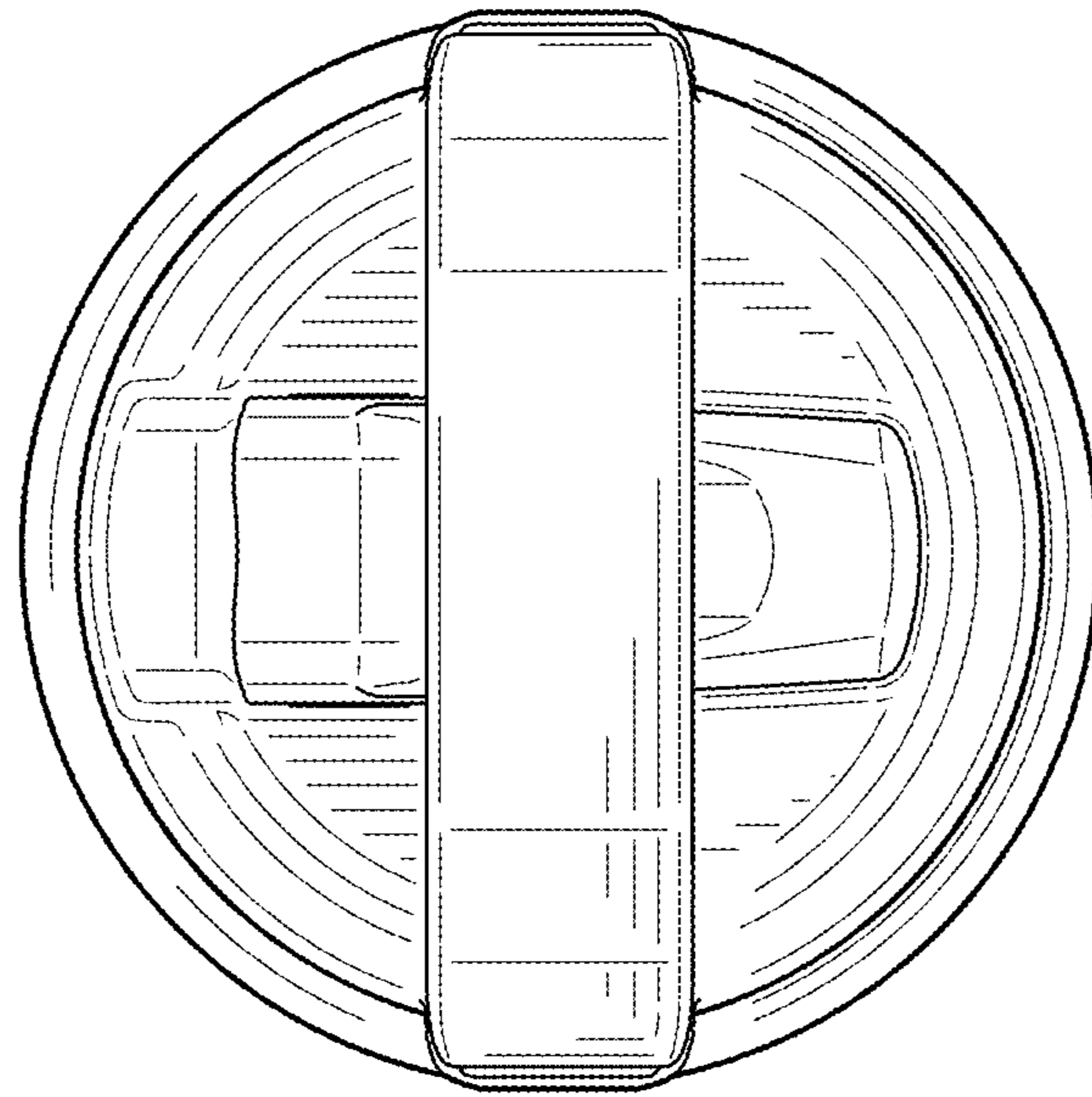


FIG. 7

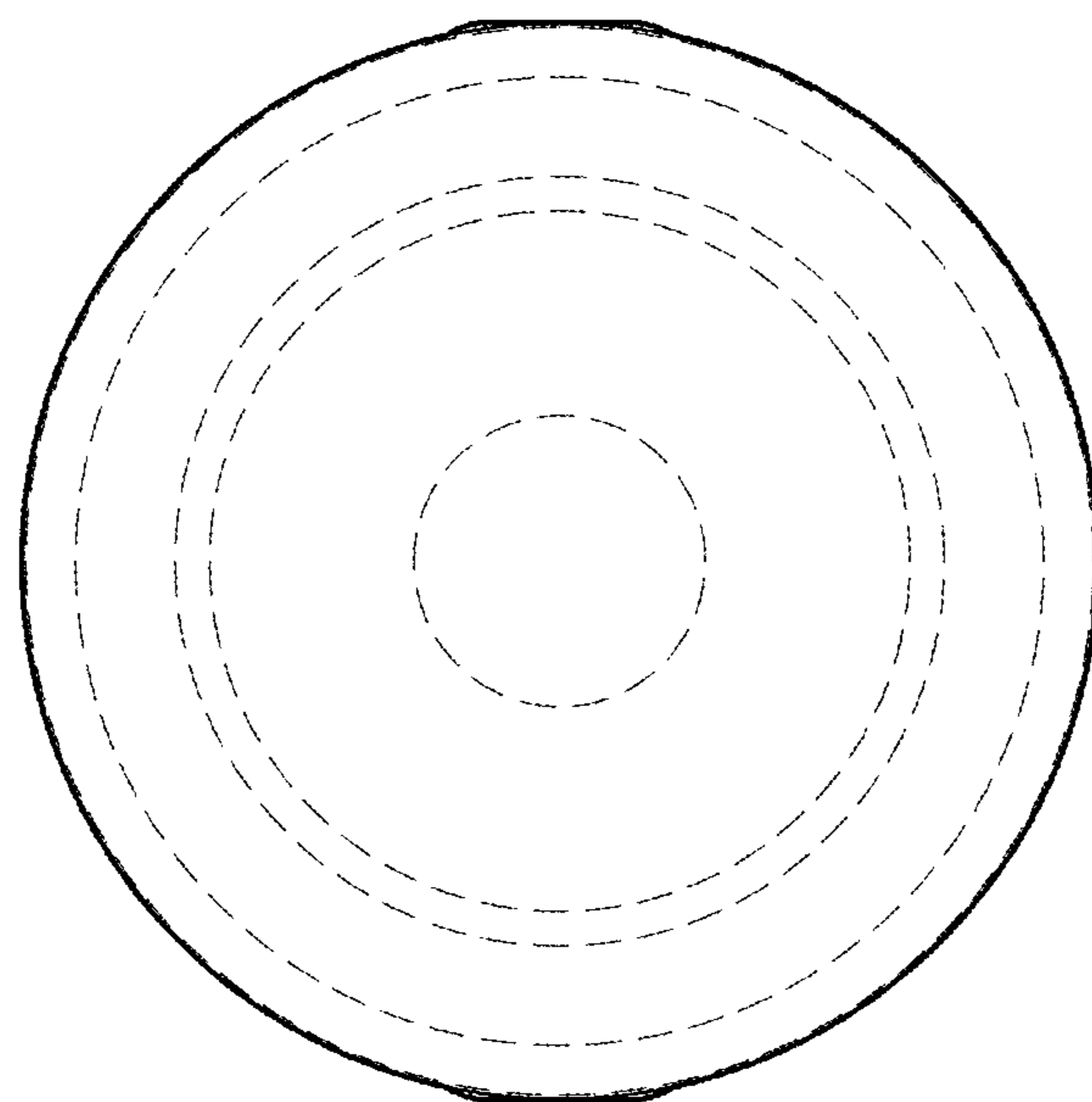


FIG. 8

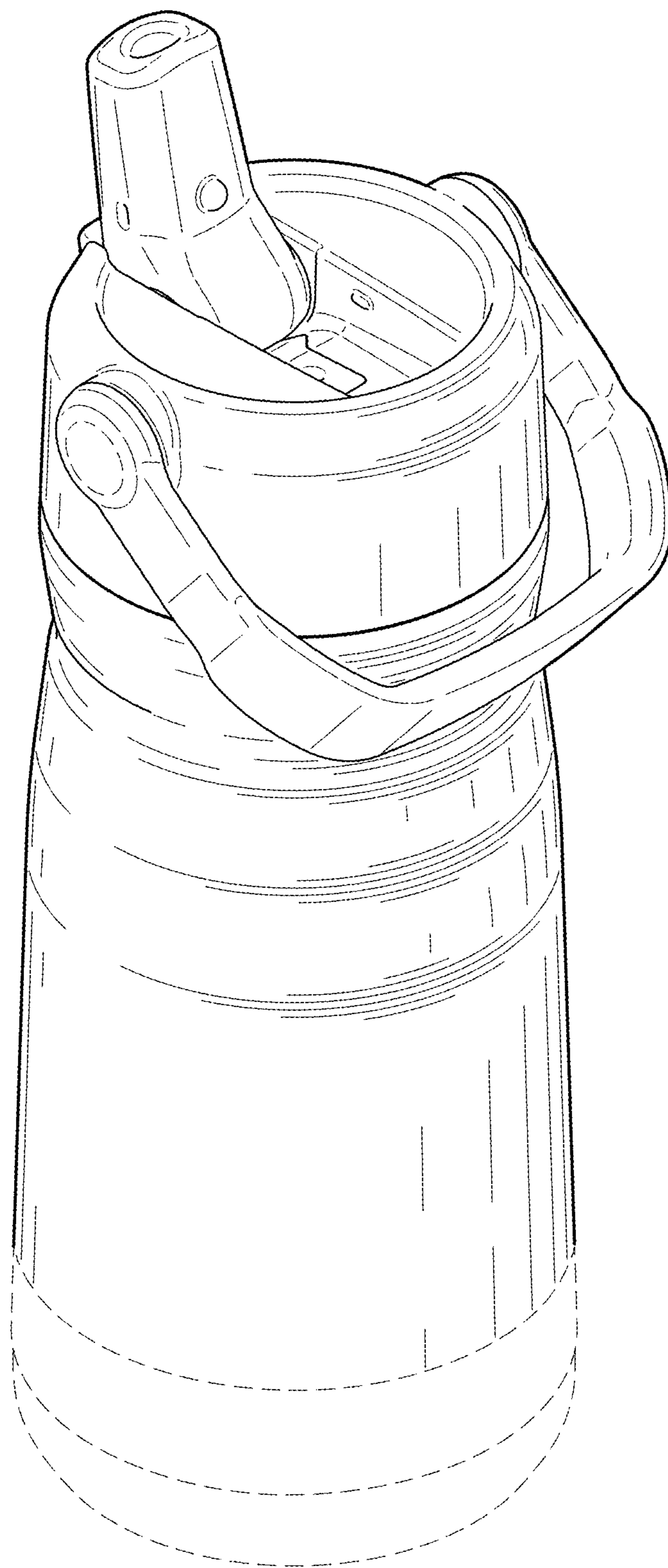


FIG. 9

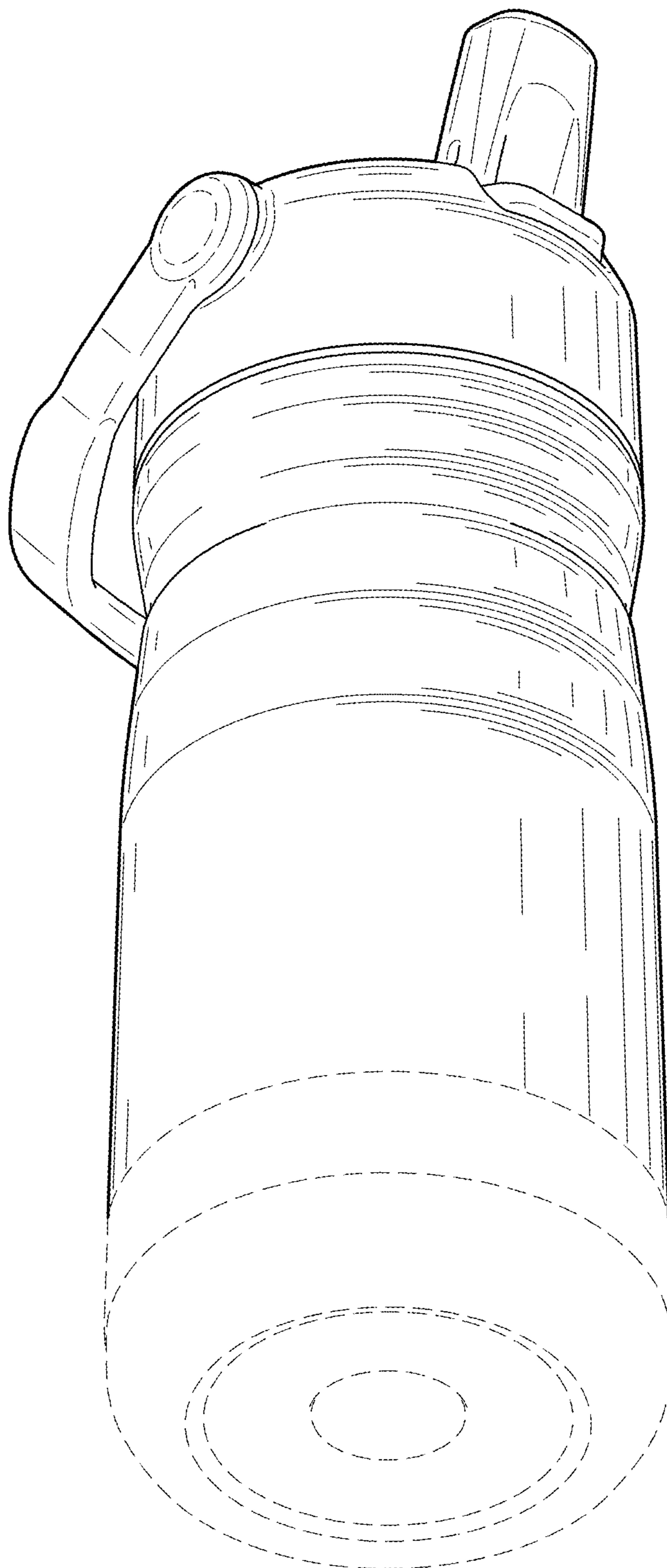


FIG. 10

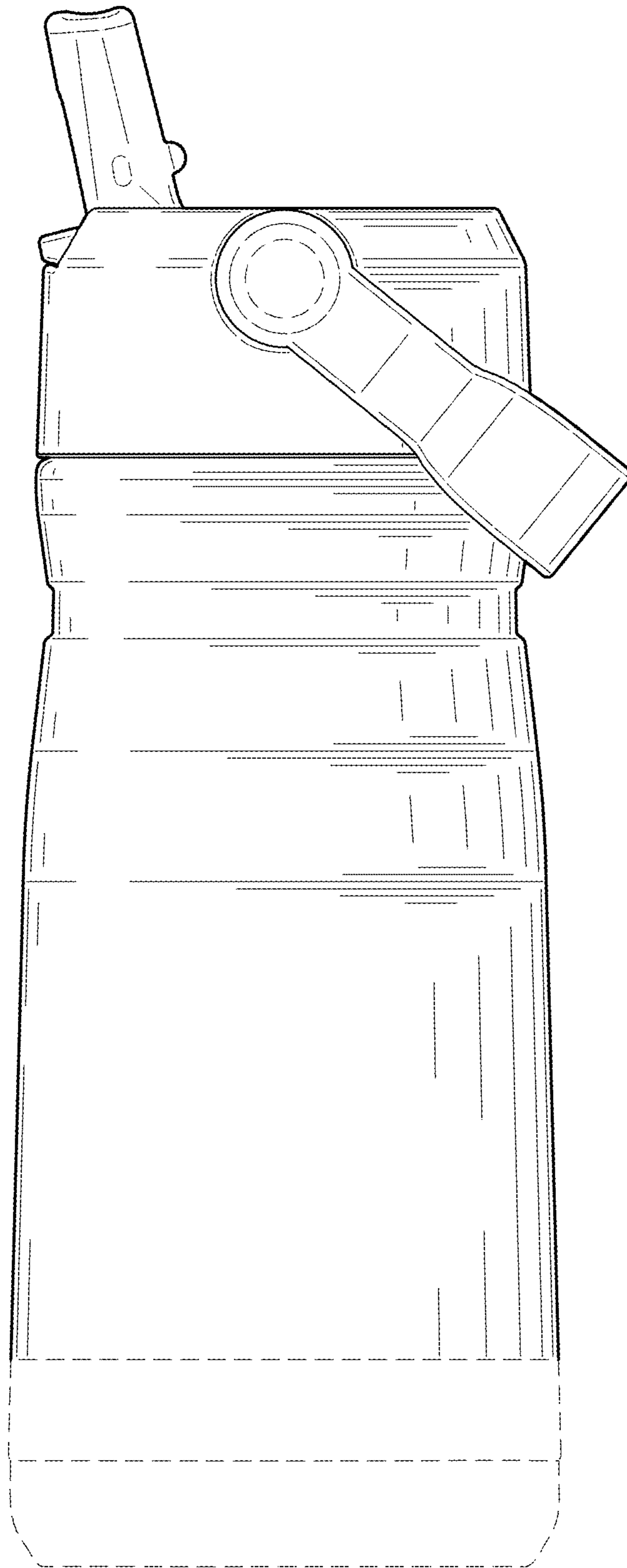


FIG. 11

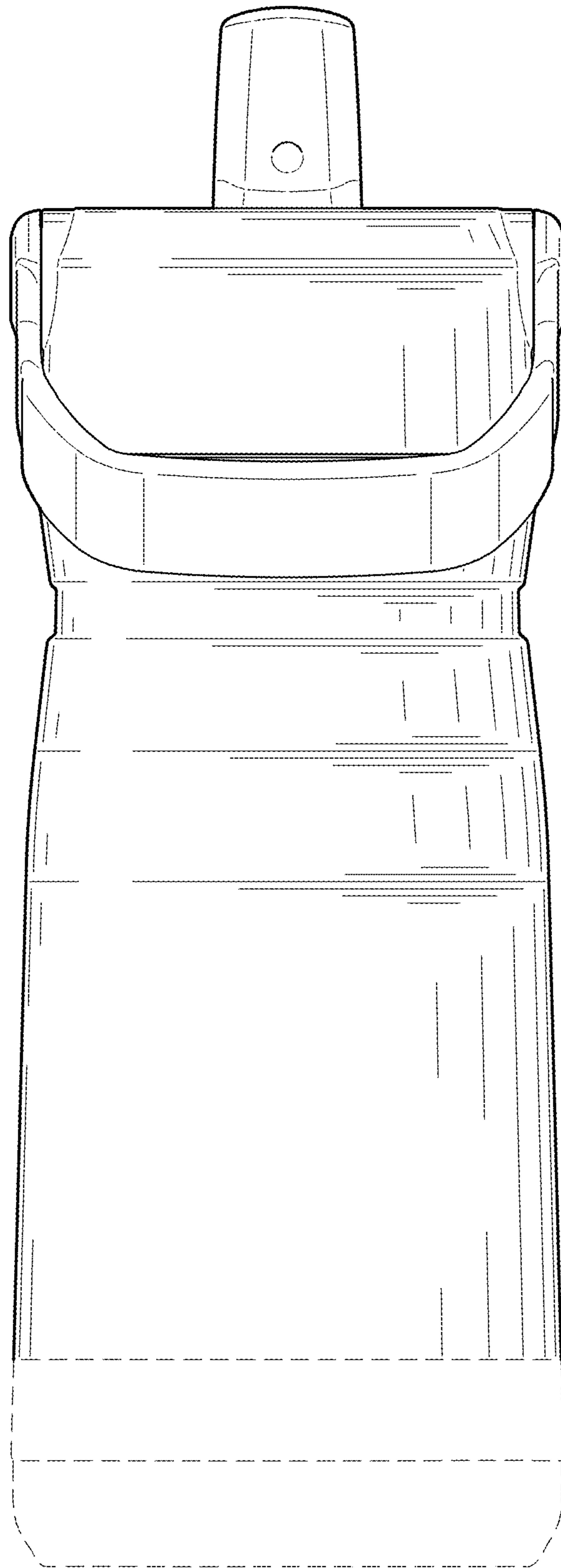


FIG. 12

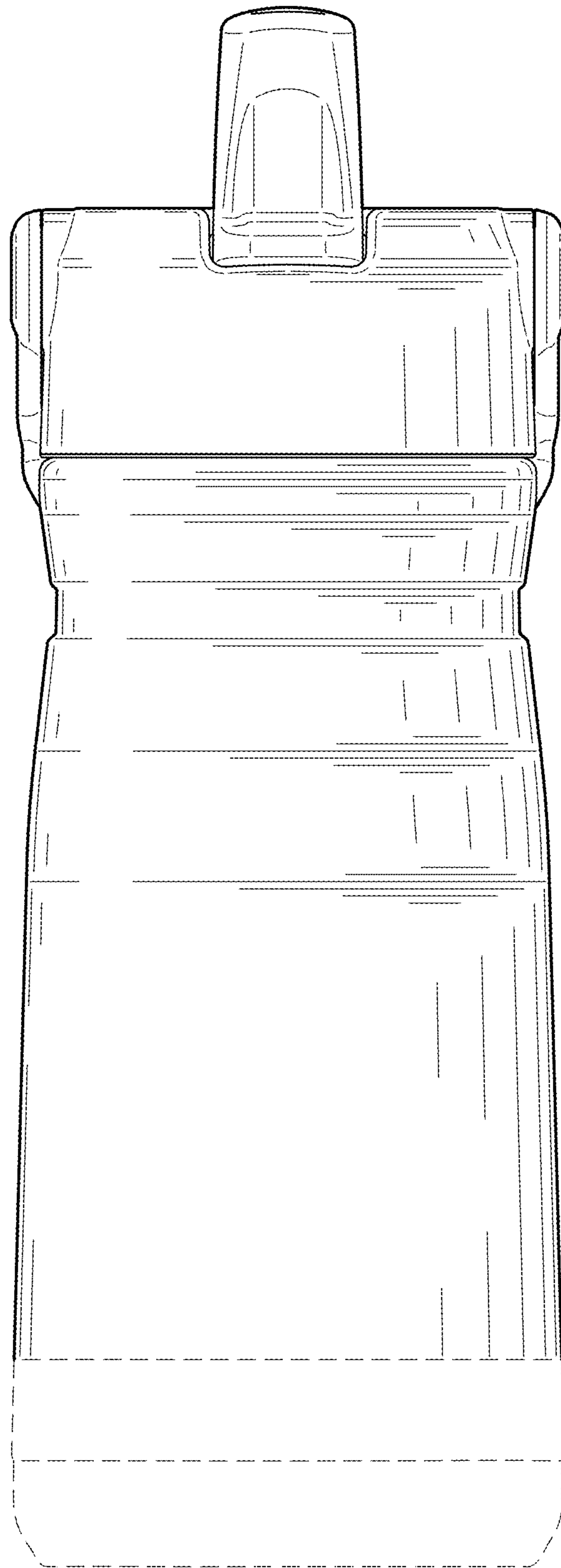


FIG. 13

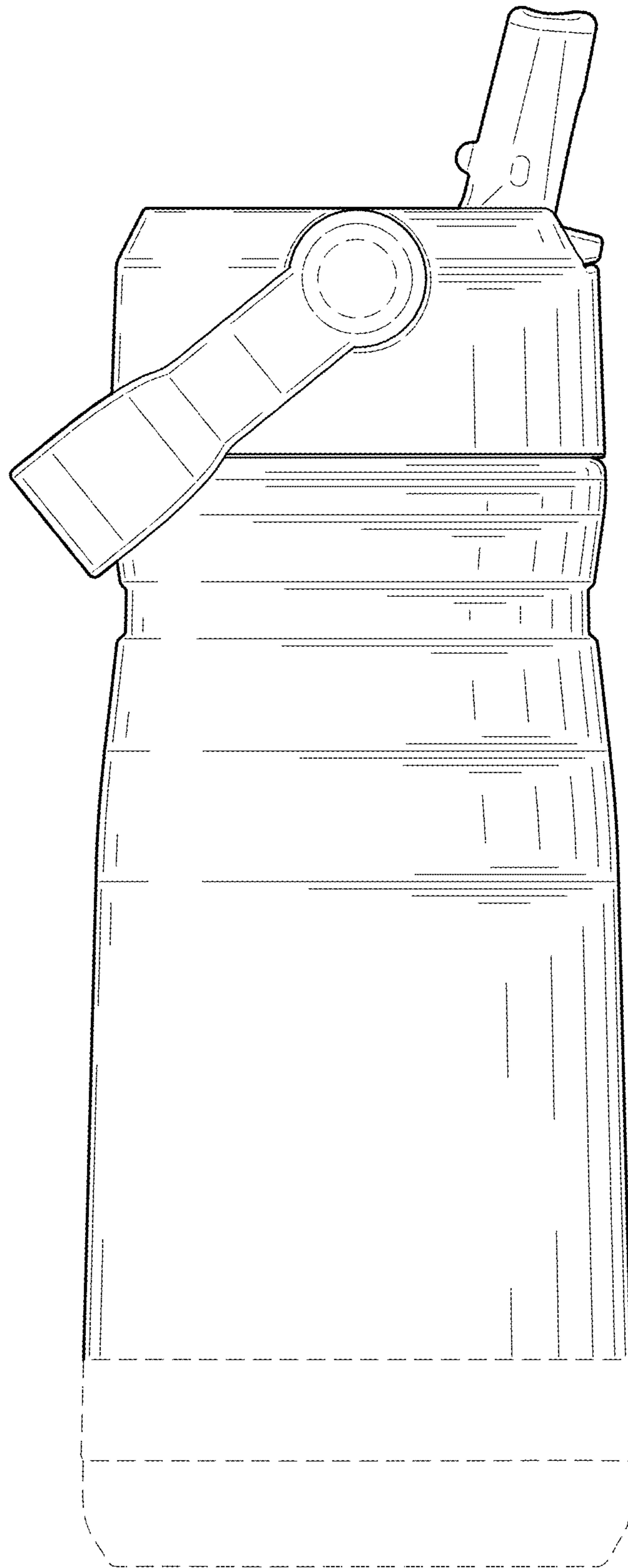


FIG. 14

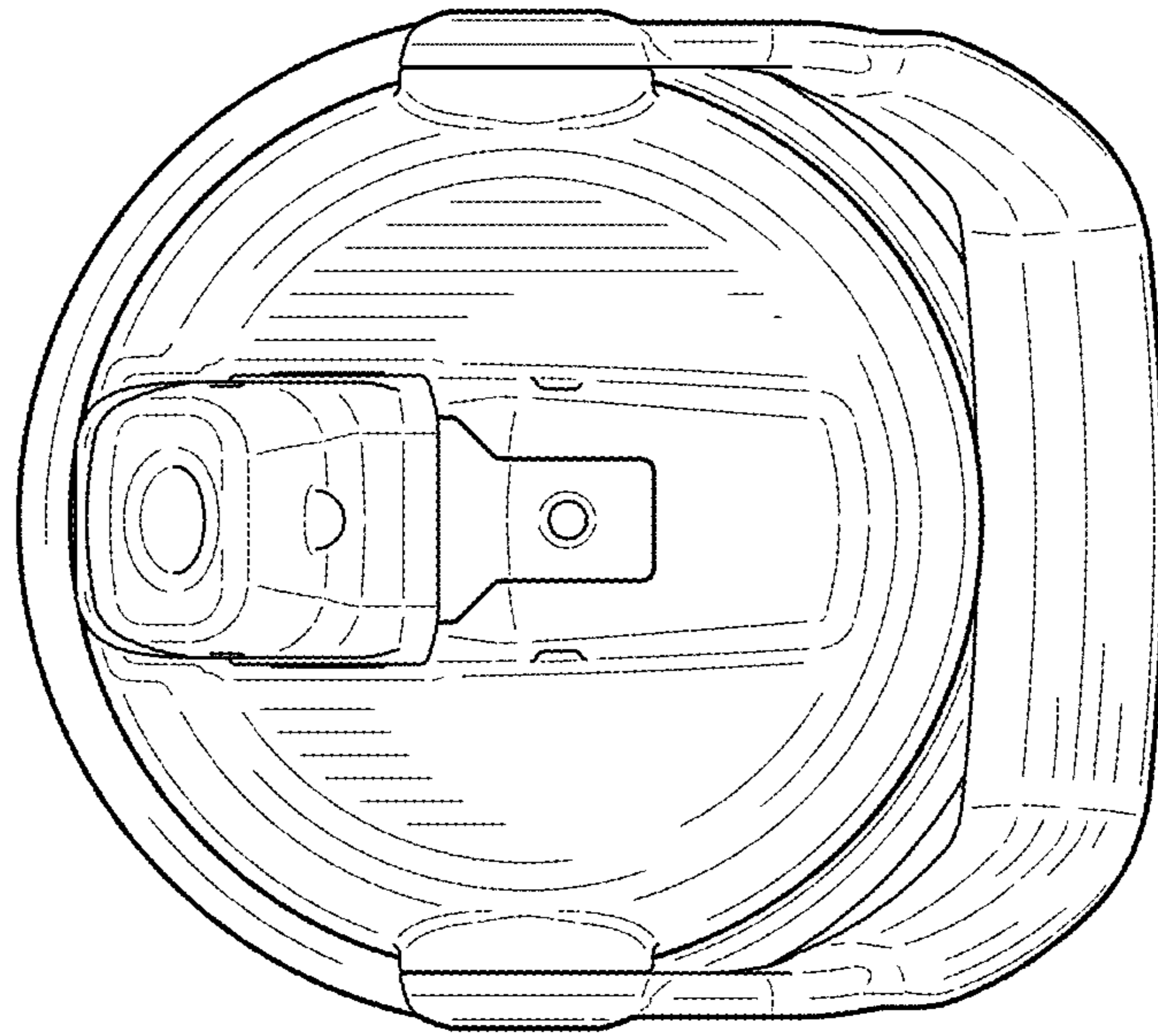


FIG. 15

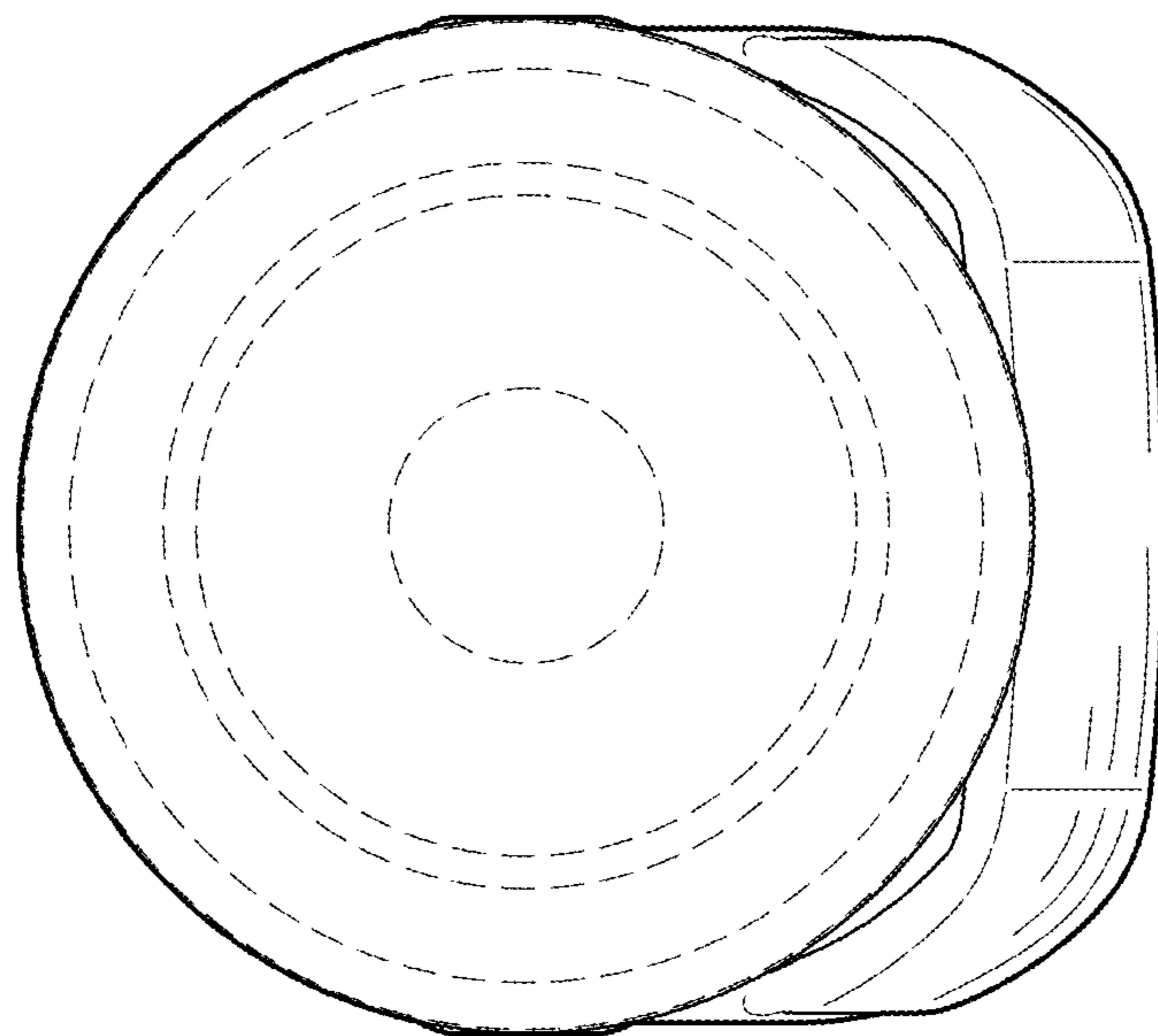


FIG. 16