



US00D984213S

(12) **United States Design Patent**
Clemens et al.

(10) **Patent No.:** **US D984,213 S**
(45) **Date of Patent:** **** Apr. 25, 2023**

(54) **BEVERAGE CONTAINER**

(71) Applicant: **Leapfrog Product Development LLC**,
Chicago, IL (US)

(72) Inventors: **Brian M. Clemens**, Burnsville, MN
(US); **Steven N. Pinelli**, Ogden Dunes,
IN (US); **Derek J. Leatzow**, Chicago,
IL (US); **Glen C. Gilmore, III**,
Naperville, IL (US); **Micaela K.**
McCabe, Chicago, IL (US); **Richard E.**
Ellison, Chicago, IL (US); **Kurtis M.**
Sward, Anna Maria, FL (US)

(73) Assignee: **Leapfrog Product Development LLC**,
Chicago, IL (US)

(**) Term: **15 Years**

(21) Appl. No.: **29/692,834**

(22) Filed: **May 29, 2019**

(51) **LOC (14) Cl.** **07-01**

(52) **U.S. Cl.**
USPC **D7/510; D7/533**

(58) **Field of Classification Search**
USPC D7/300, 318, 392, 392.1, 619.1, 510,
D7/533, 538, 629
CPC A47G 21/18; B65D 2517/0049
See application file for complete search history.

(56) **References Cited**

U.S. PATENT DOCUMENTS

D364,810 S	12/1995	Meisner	
D471,455 S	3/2003	Laveault et al.	
D485,132 S	1/2004	Ohno et al.	
D505,294 S	5/2005	Gauss	
D508,185 S	8/2005	Gauss	
D511,653 S	* 11/2005	Oas	D7/533
D512,269 S	* 12/2005	Trombly	D7/533
D515,357 S	2/2006	Ward et al.	
D528,862 S	9/2006	Li	
D533,061 S	12/2006	Li	

D564,841 S	3/2008	Clemens et al.
D579,722 S	11/2008	Sakulsacha et al.
D581,727 S	12/2008	Pinelli et al.
D592,456 S	5/2009	Pinelli et al.

(Continued)

OTHER PUBLICATIONS

Amazon website, Elio Magnet Vacuum Insulated Stainless Steel Travel Mug, Date first available on Amazon Jun. 4, 2018, [site visited Aug. 4, 2022], Available on the Internet URL www.amazon.com/Ello-Magnet-Vacuum-Insulated-Stainless/dp/B07DHX628R (Year: 2018).*

(Continued)

Primary Examiner — S. Bryan Reinholdt, Jr.
(74) *Attorney, Agent, or Firm* — Barnes & Thornburg
LLP

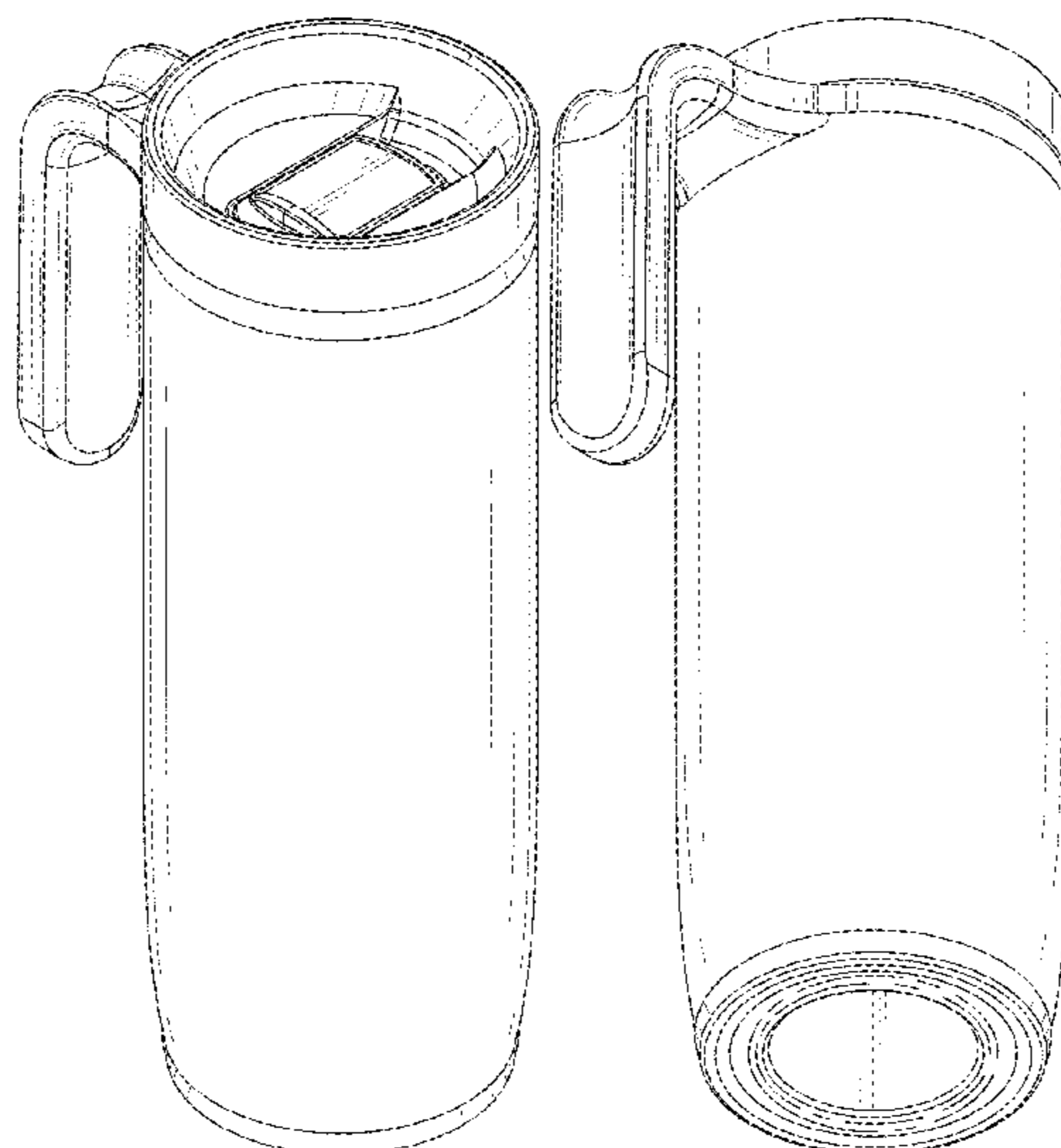
(57) **CLAIM**

We claim the ornamental design for a beverage container, as shown and described.

DESCRIPTION

FIG. 1 is a top perspective view of the beverage container according to the new design.
FIG. 2 is a bottom perspective view of the beverage container shown in FIG. 1.
FIG. 3 is a left side elevation view of the beverage container shown in FIG. 1.
FIG. 4 is a right side elevation view of the beverage container shown in FIG. 1.
FIG. 5 is a front elevation view of the beverage container shown in FIG. 1.
FIG. 6 is a rear elevation view of the beverage container shown in FIG. 1.
FIG. 7 is a top plan view of the beverage container shown in FIG. 1; and,
FIG. 8 is a bottom plan view of the beverage container shown in FIG. 1.

1 Claim, 8 Drawing Sheets



(56)

References Cited

U.S. PATENT DOCUMENTS

D592,905 S 5/2009 Pinelli et al.
D592,913 S 5/2009 Pinelli et al.
7,546,933 B2 6/2009 Pinelli
D609,964 S 2/2010 Lane
D615,358 S * 5/2010 Wahl D7/533
D620,747 S * 8/2010 Taketani D7/392.1
D622,549 S * 8/2010 Carreno D7/533
D643,249 S 8/2011 Miller et al.
7,997,442 B2 8/2011 Pinelli
D655,580 S 3/2012 Kotani
D656,787 S 4/2012 Phillips et al.
D661,945 S 6/2012 Eyal
D675,060 S 1/2013 Lane
8,360,267 B1 1/2013 Chiou et al.
D686,871 S 7/2013 Lane
D693,629 S 11/2013 Miller
D693,630 S 11/2013 Hurley
8,579,133 B2 11/2013 Marcus et al.
8,590,731 B2 11/2013 Pinelli
D699,509 S * 2/2014 El-Saden D7/392.1
D700,012 S 2/2014 Hurley
D700,802 S 3/2014 Miller
8,727,176 B2 * 5/2014 El-Saden B65D 43/22
222/153.04
D720,186 S * 12/2014 Lane D7/533
8,978,906 B2 3/2015 Feeley
D725,966 S 4/2015 Boroski et al.
D739,183 S 9/2015 Lane
9,266,643 B2 2/2016 Marcus et al.
D750,426 S * 3/2016 Bann D7/393
D758,189 S 6/2016 Roth et al.
D758,790 S 6/2016 Boroski
D780,578 S 3/2017 Lane et al.
D785,402 S 5/2017 Shirley et al.
D793,804 S 8/2017 Herbst et al.
D794,453 S 8/2017 Boroski et al.
D795,011 S 8/2017 Pisarevsky
D799,898 S 10/2017 Yao
D802,993 S 11/2017 Joseph et al.
D804,903 S 12/2017 Mason et al.
D804,904 S 12/2017 Noveletsky et al.
D808,220 S 1/2018 Burns et al.
D809,384 S 2/2018 Best et al.
D812,984 S * 3/2018 Seiders D7/622
D814,398 S 4/2018 Yasunaga
D817,713 S 5/2018 Lin
D818,767 S 5/2018 Nezu
D821,136 S 6/2018 Silsby et al.
D821,137 S 6/2018 Boroski
D821,815 S 7/2018 Chung
D822,427 S 7/2018 Sorensen et al.
D831,425 S 10/2018 Best et al.
D831,433 S 10/2018 Fleischhut
D835,939 S 12/2018 Yee et al.
D839,044 S 1/2019 Potter et al.
D848,787 S 5/2019 Tatsukawa et al.
D853,181 S 7/2019 Stanton
D853,784 S 7/2019 Wu
D865,457 S 11/2019 Kotani
D869,230 S 12/2019 Hao
D870,509 S 12/2019 Bo
D887,771 S * 6/2020 Washburn D7/392.1
D891,182 S * 7/2020 Lane D7/510
D893,258 S * 8/2020 Lane D7/510
D901,248 S * 11/2020 Lane D7/533
D901,979 S * 11/2020 Gilmore, III D7/533
11,077,995 B2 * 8/2021 Pinelli B65D 43/0229
2011/0089059 A1 4/2011 Lane et al.
2012/0312832 A1 12/2012 Lane
2014/0339177 A1 11/2014 Lane

2015/0282654 A1 10/2015 Kurabe et al.
2017/0297785 A1 10/2017 Maruyama et al.

OTHER PUBLICATIONS

Zulu, "Atlas20 oz Glass Water Bottle," accessed on-line at: <https://www.zuluathletic.com/shop-all/atlas-glass-water-bottle> (available at least as early as May 29, 2019).
Kor, "Vida Bottle—25oz," accessed on-line at: <https://waterbottles.com/kor-vida-bottle-25-oz> (available at least as early as May 29, 2019).
Thermos, "Hydration Bottle with Rotating Intake Meter, 24oz," accessed on-line at: <https://www.thermos.com/genuine-thermos-brand-hydration-bottle-with-rotating-intake-meter-24oz.html> (available at least as early as May 29, 2019).
Thermos, "Shaker Bottle with Integrated Mixer, 24oz," accessed on-line at: <https://www.thermos.com/genuine-thermos-brand-shaker-bottle-with-integrated-mixer-24oz-clear-green-accent.html> (available at least as early as May 29, 2019).
Tervis, "Custom Water Bottle," accessed on-line at: <https://www.tervis.com/turtle-sunset-stainless-steel-24oz-stainless-water-bottle-1362572.html> (available at least as early as May 29, 2019).
Swell, "Bottles," accessed on-line at: <https://www.swell.com/shop/swell/bottles/> (available at least as early as May 29, 2019).
Tritan, "32 oz Soft Straw Plastic Water Bottle," accessed on-line at: <http://www.pogogear.com/32oz-tritan-straw> (available at least as early as May 29, 2019).
Tritan, "32oz Chug Plastic Water Bottle," accessed on-line at: <http://www.pogogear.com/32oz-tritan-chug> (available at least as early as May 29, 2019).
Tritan, "18oz Chug Plastic Water Bottle," accessed on-line at: <http://www.pogogear.com/18oz-tritan-chug> (available at least as early as May 29, 2019).
Ello, "chi 24oz BPA-Free Tritan Plastic Water Bottle," accessed on-line at: <https://www.elloproducts.com/water-bottles/chi-24oz-plastic-water-bottle> (available at least as early as May 29, 2019).
Ello, "Dash 16oz 2pk Tritan Plastic Water Bottles," accessed on-line at: <https://www.elloproducts.com/kids/dash-16oz-tritan-plastic-water-bottle> (available at least as early as May 29, 2019).
Ello, "Cru Stemless Wine glass Set with Silicone Protection," accessed on-line at: <https://www.elloproducts.com/tumblers/cru-stemless-wine-glass-set-with-silicone-protection> (available at least as early as May 29, 2019).
Aladdin, "Water Bottle," (1 page) (available at least as early as May 29, 2019).
Ello, "Elsie 22oz Glass Water Bottle," accessed on-line at: <https://www.elloproducts.com/water-bottles/elsie-22oz-glass-water-bottle> (available at least as early as May 29, 2019).
Ello, "Beacon 24oz Vacuum Insulated Stainless Tumbler," accessed on-line at: <https://www.elloproducts.com/tumblers/beacon-24oz-vacuum-insulated-stainless-tumbler> (available at least as early as May 29, 2019).
Ello, "Rise 12oz Vacuum Insulated Stainless Steel Tumbler with Optional Straw," accessed on-line at: <https://www.elloproducts.com/kids/rise-12oz-vacuum-insulated-stainless-steel-tumbler> (available at least as early as May 29, 2019).
Ello, "Hammertime 18oz Stainless Steel Travel Mug," accessed on-line at: <https://www.elloproducts.com/travel-mugs/hammertime-18oz-vacuum-insulated-stainless-steel-travel-mug> (available at least as early as May 29, 2019).
Ello, "Pure 20oz Glass Water Bottle," accessed on-line at: <https://www.elloproducts.com/water-bottles/pure-20oz-glass-water-bottle> (available at least as early as May 29, 2019).
Ello, "Max 12oz Vacuum-Insulated Stainless Steel Kids Water Bottle," accessed on-line at: <https://www.elloproducts.com/kids/max-12oz-vacuum-insulated-stainless-steel-kids-water-bottle> (available at least as early as May 29, 2019).
Ello, "Syndicate 20oz Glass Water Bottle," accessed on-line at: <https://www.elloproducts.com/water-bottles/syndicate-20oz-glass-water-bottle> (available at least as early as May 29, 2019).
Mason, "Glass Jar," (1 page) (available at least as early as May 29, 2019).

(56)

References Cited

OTHER PUBLICATIONS

Camelbak, "Eddy+ 1L Bottle," accessed on-line at: https://www.camelbak.com/en/bottles/R02056-Eddy_75L_2019?color=6bbd0584f3a64b0eb30d406f7e03797e (available at least as early as May 29, 2019).

Contigo, "Autoseal West Loop 2.0 Stainless," accessed on-line at: <https://www.gocontigo.com/20-oz-autoseal-west-loop-stainless-travel-mug-with-easy-clean-lid.html> (available at least as early as May 29, 2019).

Contigo, "Autospout Straw Striker Chill," accessed on-line at: <https://www.gocontigo.com/14-oz-autospout-striker-kids-water-bottle.html> (available at least as early as May 29, 2019).

Zojirushi, "Travel Mug SM-YAE48," accessed on-line at: <https://www.zojirushi.com/app/product/smyae> (available at least as early as May 29, 2019).

Zojirushi, "Stainless Mug SM-KC3648," accessed on-line at: <https://www.zojirushi.com/app/product/smkc> (available at least as early as May 29, 2019).

Zojirushi, "Stainless Bottle SJ-JS10," accessed on-line at: <https://www.zojirushi.com/app/product/sjjs> (available at least as early as May 29, 2019).

Zojirushi, "Flip-and-Go Stainless Mug SM-QHE48/60," accessed on-line at: <https://www.zojirushi.com/app/product/smqhe> (available at least as early as May 29, 2019).

Zojirushi, "Stainless Mug SM-TAE48SA, Ichimatsu Collection," accessed on-line at: <https://www.zojirushi.com/app/product/smtae> (available at least as early as May 29, 2019).

Zojirushi, "Stainless Mug SM-TA36/48/60," accessed on-line at: <https://www.zojirushi.com/app/product/smta> (available at least as early as May 29, 2019).

Zojirushi, "Stainless Mug SM-SE36/48/60," accessed on-line at: <https://www.zojirushi.com/app/product/smse> (available at least as early as May 29, 2019).

Zojirushi, "Stainless Mug SM-SD36/48/60," accessed on-line at: <https://www.zojirushi.com/app/product/smsd> (available at least as early as May 29, 2019).

Zojirushi, "Stainless Mug SM-SHE48/60," accessed on-line at: <https://www.zojirushi.com/app/product/smshe> (available at least as early as May 29, 2019).

Zojirushi, "Stainless Mug SM-KHE36/48," accessed on-line at: <https://www.zojirushi.com/app/product/smkhe> (available at least as early as May 29, 2019).

Zojirushi, "Stainless Mug SM-SC36/48/60" accessed on-line at: <https://www.zojirushi.com/app/product/smsc> (available at least as early as May 29, 2019).

Zojirushi, "Stainless Mug SM-KC36/48," accessed on-line at: <https://www.zojirushi.com/app/product/smkc> (available at least as early as May 29, 2019).

Zojirushi, "Stainless Mug SM-PC20/30," accessed on-line at: <https://www.zojirushi.com/app/product/smpc> (available at least as early as May 29, 2019).

Zojirushi, "Stainless Mug SM-PB30/34," accessed on-line at: <https://www.zojirushi.com/app/product/smpb> (available at least as early as May 29, 2019).

Migo, "Enjoy Sport Water Bottle," accessed on-line at: <https://www.pinterest.ru/pin/12666442685646757/> (available at least as early as May 29, 2019).

Coleman, "Switch SS," accessed on-line at: https://www.coleman.com/all-camp-kitchen/drinkware/switch-ss/col_2038485_pr/COL_2038485 (available at least as early as May 29, 2019).

Corkcicle, "Classic Arctican," accessed on-line at: <https://corkcicle.com/products/classic-arctican?variant=475182759951> (available at least as early as May 29, 2019).

Ello, "Reflex Beverage Container," (1 page) (available at least as early as May 29, 2019).

<https://www.zuluathletic.com/shop-all/atlas-glass-water-bottle>.

<https://waterbottles.com/kor-vida-bottle-25-oz>.

<https://www.thermos.com/genuine-thermos-brand-hydration-bottle-with-rotating-intake-meter-24oz.html>.

<https://www.thermos.com/genuine-thermos-brand-shaker-bottle-with-integrated-mixer-24oz-clear-green-accent.html>.

<https://www.tervis.com/turtle-sunset-stainless-steel-24oz-stainless-water-bottle-1362572.html>.

<https://www.swell.com/shop/swell/bottles/>.

<http://www.pogogear.com/32oz-tritan-straw>.

<http://www.pogogear.com/32oz-tritan-chug>.

<http://www.pogogear.com/18oz-tritan-chug>.

<https://www.elloproducts.com/water-bottles/chi-24oz-plastic-water-bottle>.

<https://www.elloproducts.com/kids/dash-16oz-tritan-plastic-water-bottle>.

<https://www.elloproducts.com/tumblers/cru-stemless-wine-glass-set-with-silicone-protection>.

<https://www.elloproducts.com/water-bottles/elsie-22oz-glass-water-bottle>.

<https://www.elloproducts.com/tumblers/beacon-24oz-vacuum-insulated-stainless-tumbler>.

<https://www.elloproducts.com/kids/rise-12oz-vacuum-insulated-stainless-steel-tumbler>.

<https://www.elloproducts.com/travel-mugs/hammertime-18oz-vacuum-insulated-stainless-steel-travel-mug>.

<https://www.elloproducts.com/water-bottles/pure-20oz-glass-water-bottle>.

<https://www.elloproducts.com/kids/max-12oz-vacuum-insulated-stainless-steel-kids-water-bottle>.

<https://www.elloproducts.com/water-bottles/syndicate-20oz-glass-water-bottle>.

https://www.camelbak.com/en/bottles/R02056-Eddy_75L_2019?color=6bbd0584f3a64b0eb30d406f7e03797e.

<https://www.gocontigo.com/20-oz-autoseal-west-loop-stainless-travel-mug-with-easy-clean-lid.html>.

<https://www.gocontigo.com/14-oz-autospout-striker-kids-water-bottle.html>.

<https://www.zojirushi.com/app/product/smyae>.

<https://www.zojirushi.com/app/product/smkc>.

<https://www.zojirushi.com/app/product/sjjs>.

<https://www.zojirushi.com/app/product/smqhe>.

<https://www.zojirushi.com/app/product/smtae>.

<https://www.zojirushi.com/app/product/smta>.

<https://www.zojirushi.com/app/product/smse>.

<https://www.zojirushi.com/app/product/smsd>.

<https://www.zojirushi.com/app/product/smshe>.

<https://www.zojirushi.com/app/product/smkhe>.

<https://www.zojirushi.com/app/product/smsc>.

<https://www.zojirushi.com/app/product/smpc>.

<https://www.zojirushi.com/app/product/smpb>.

<https://www.pinterest.ru/pin/12666442685646757/>.

https://www.coleman.com/all-camp-kitchen/drinkware/switch-ss/col_2038485_pr/COL_2038485.

<https://corkcicle.com/products/classic-arctican?variant=475182759951>.

* cited by examiner

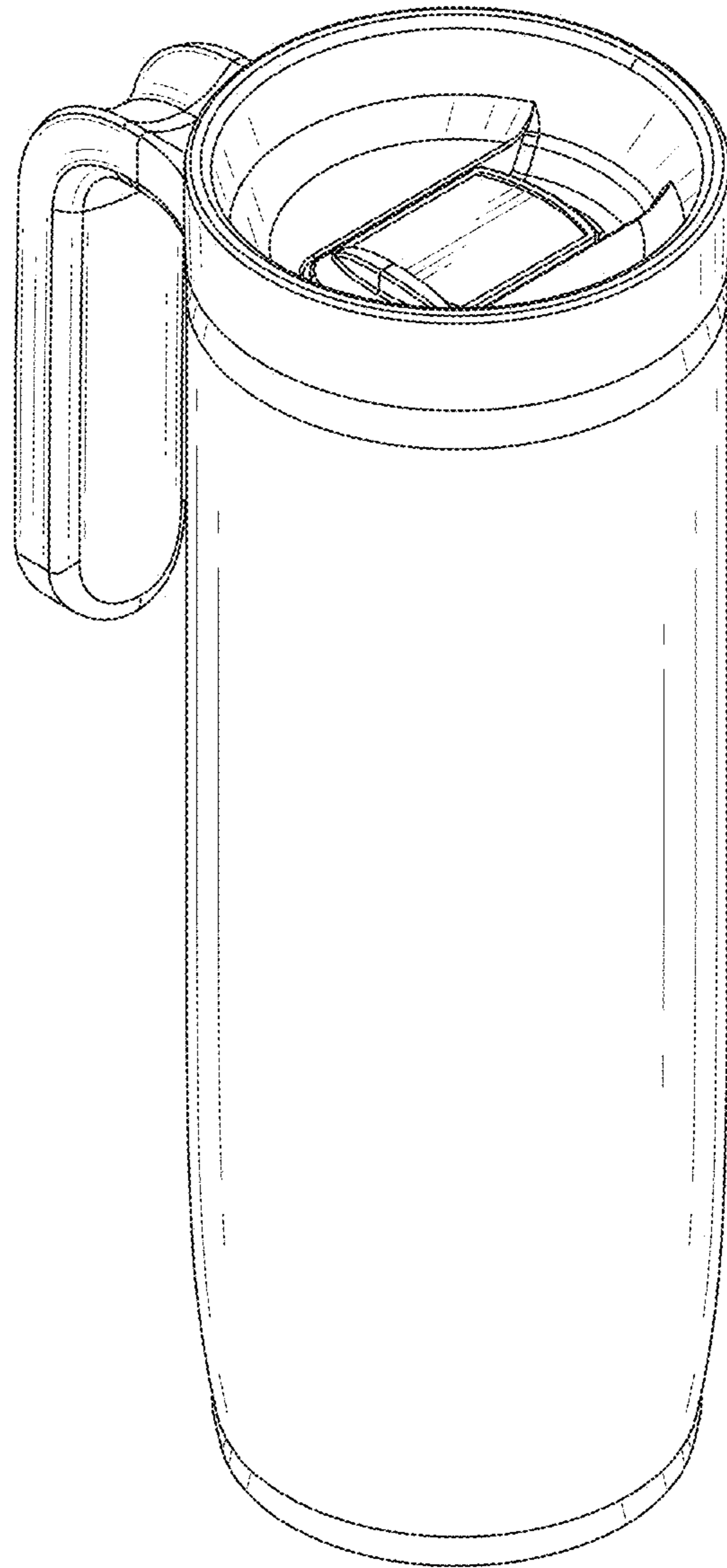


FIG. 1

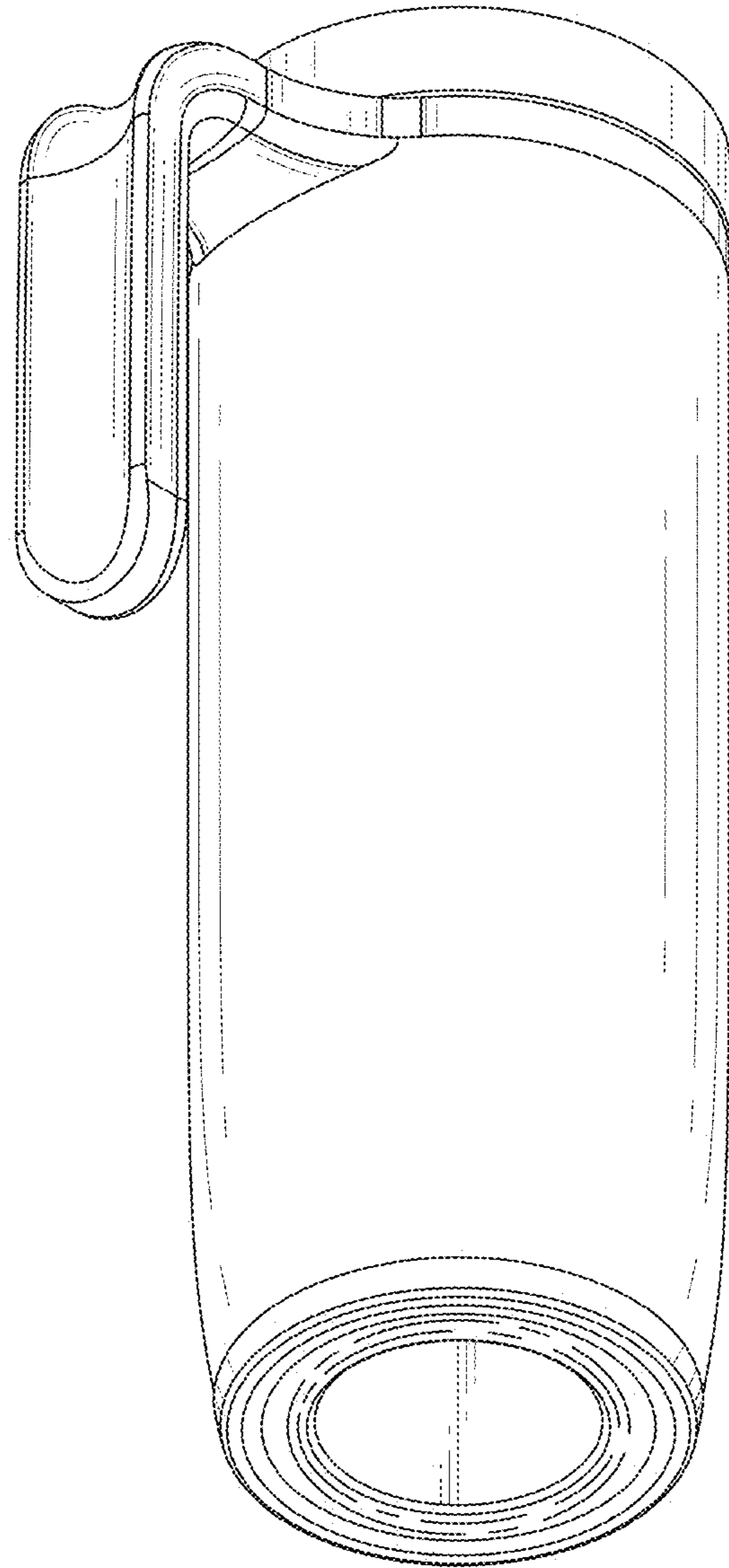


FIG. 2

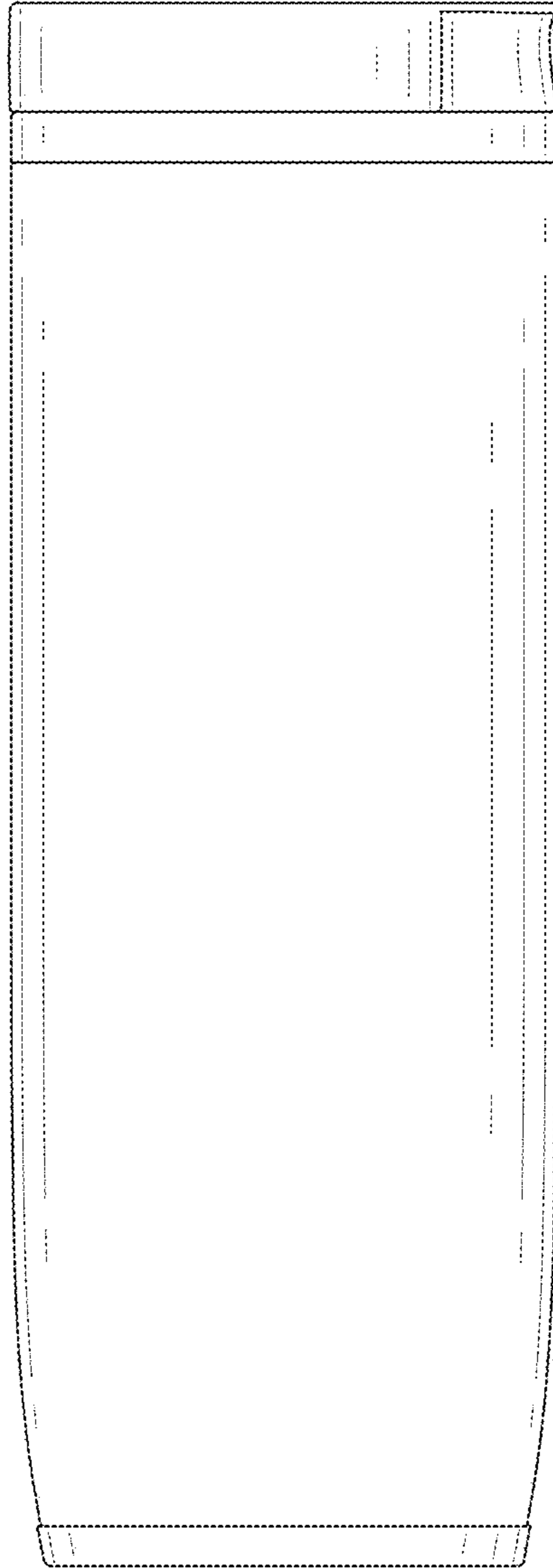


FIG. 3

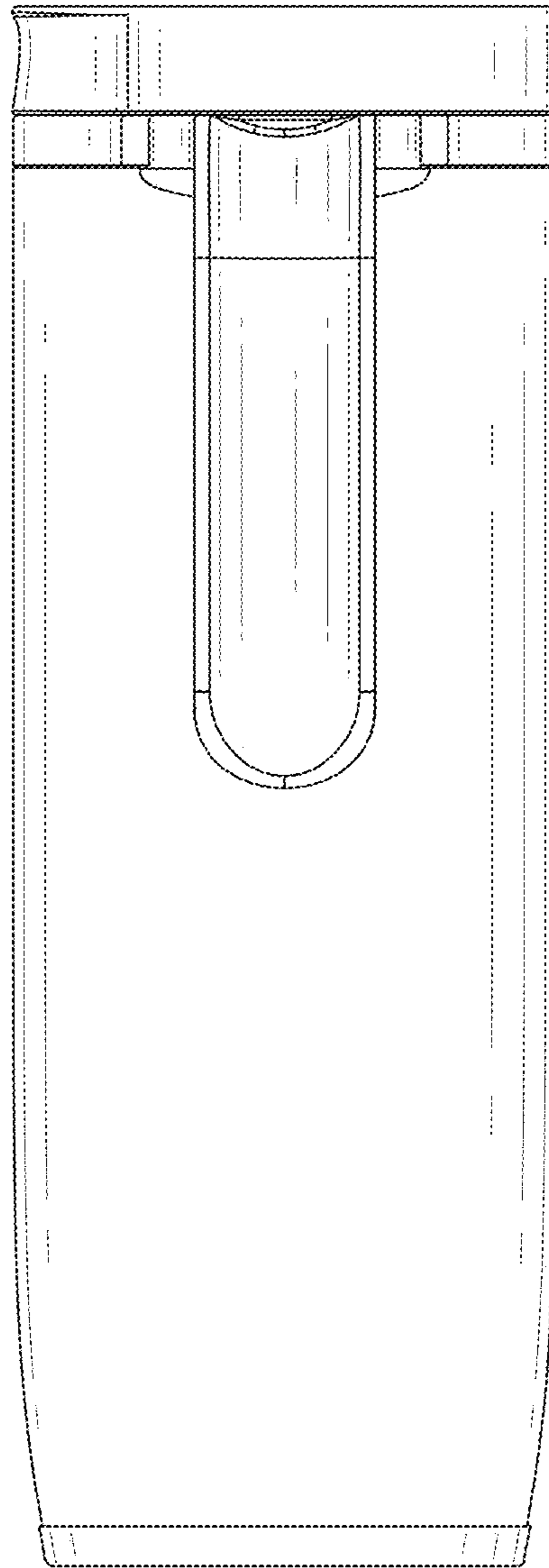


FIG. 4

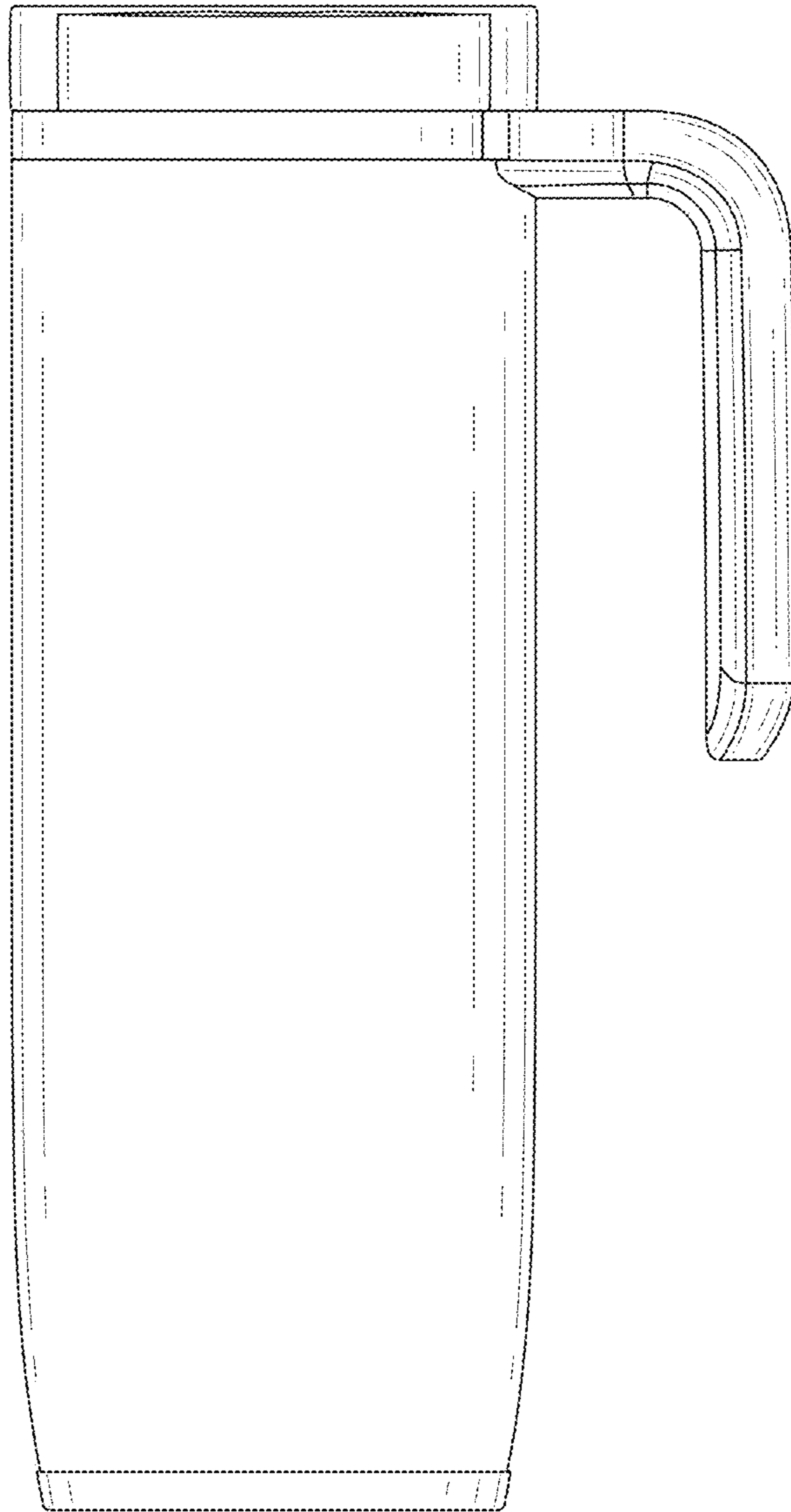


FIG. 5

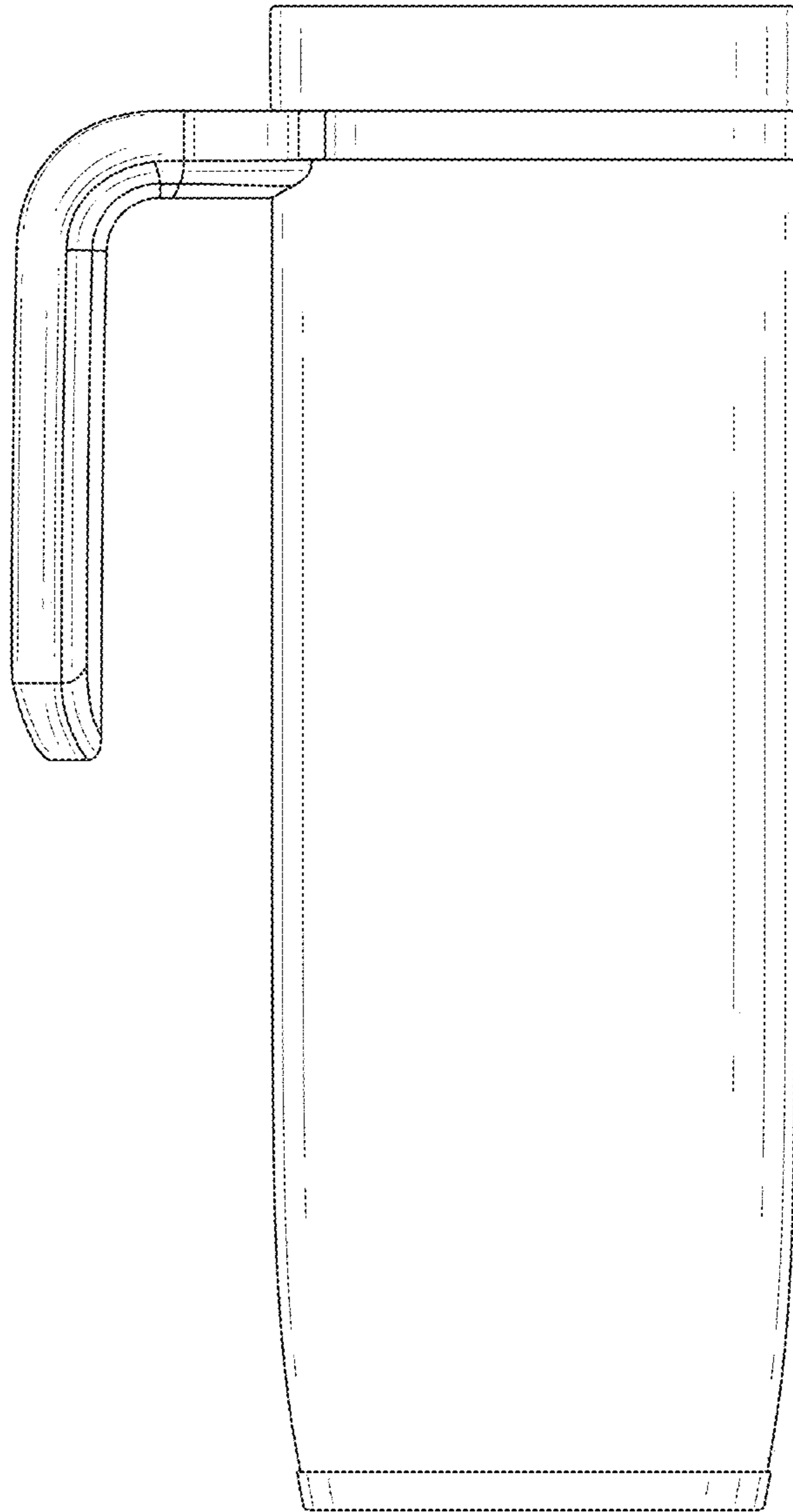


FIG. 6

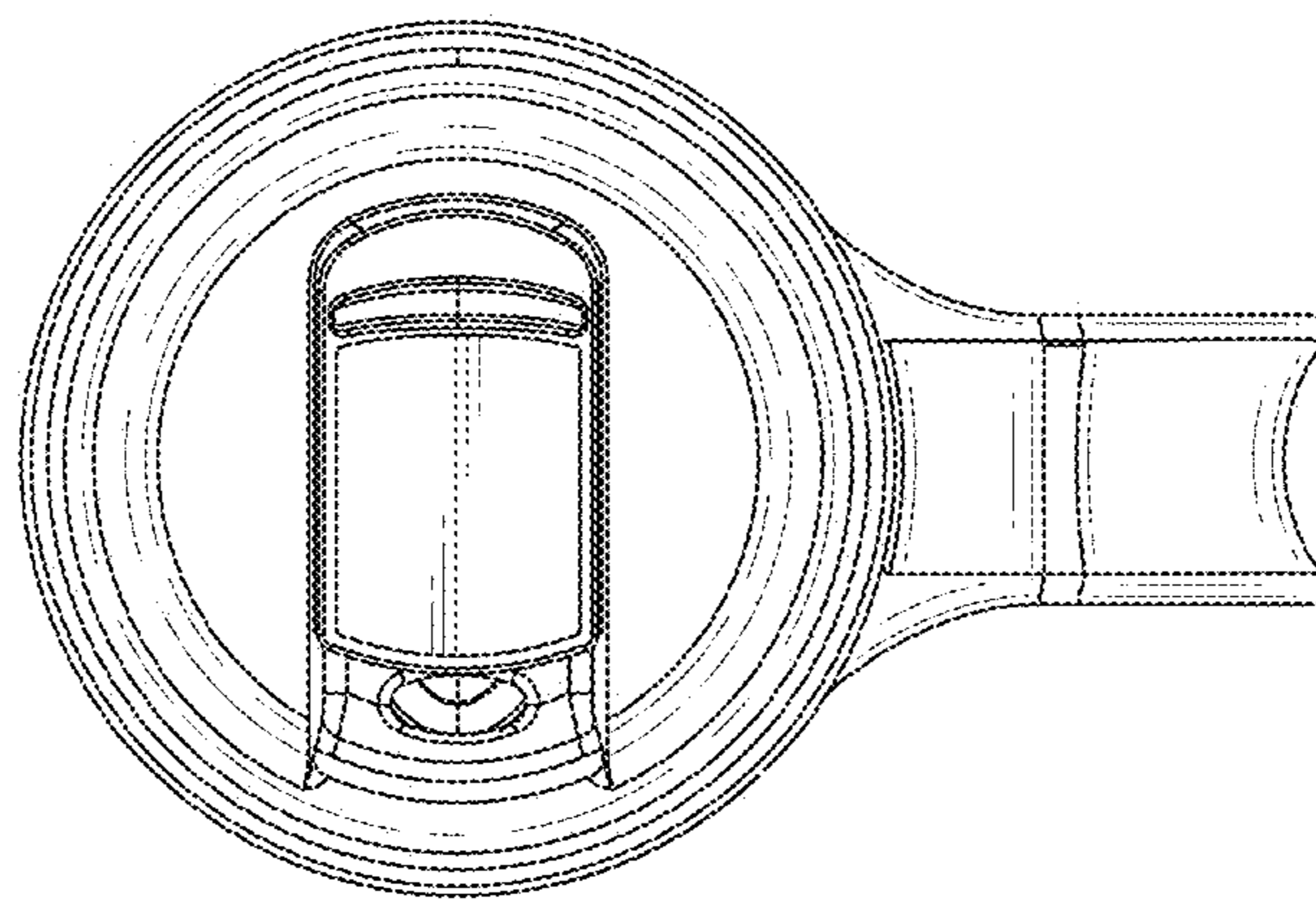


FIG. 7

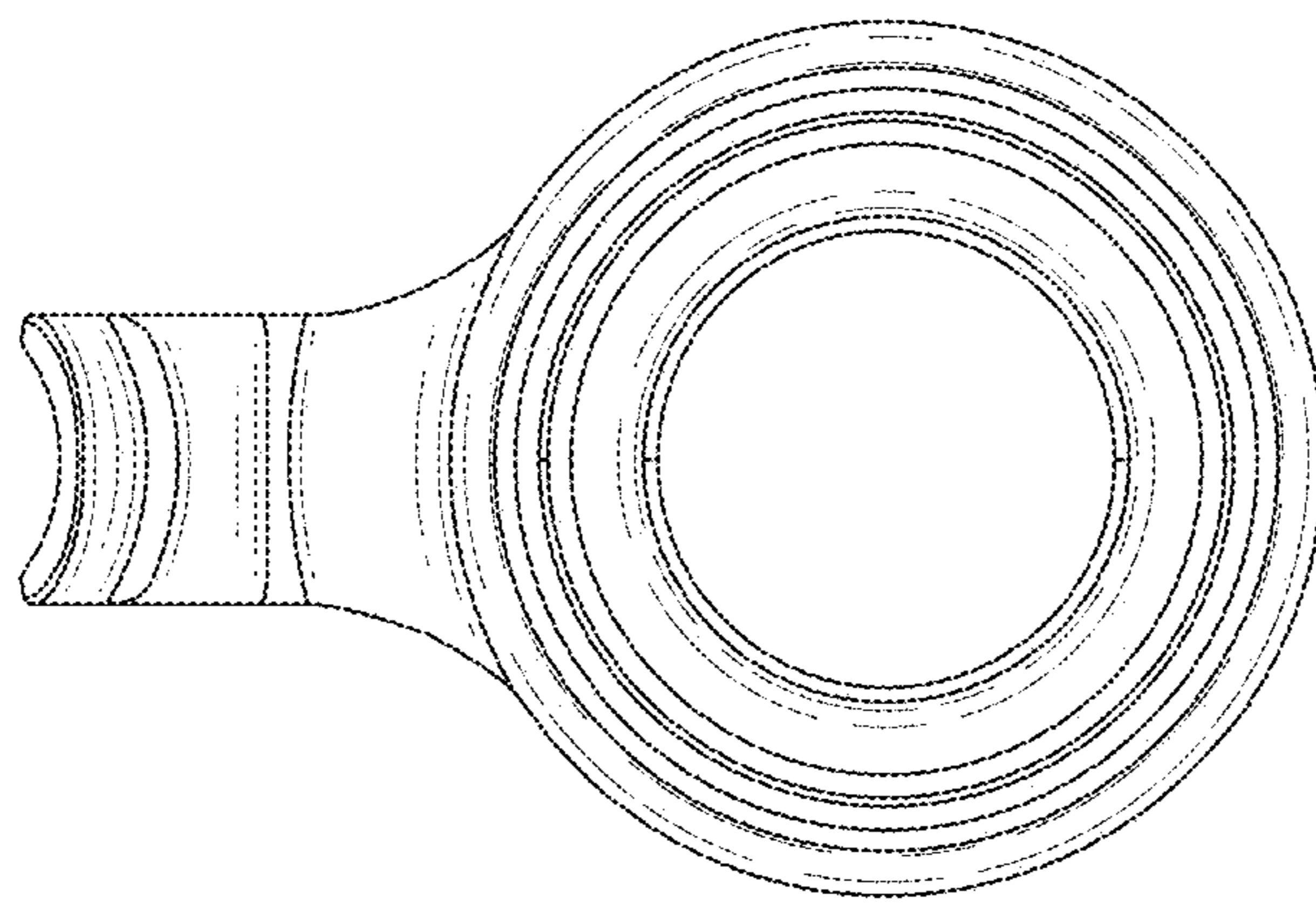


FIG. 8