



US00D984212S

(12) **United States Design Patent** (10) **Patent No.:** **US D984,212 S**
Hu (45) **Date of Patent:** **** Apr. 25, 2023**

(54) **BEVERAGE CONTAINER**
(71) Applicant: **SHENZHEN SHI BONAISI TECHNOLOGY CO., LTD.**, Shenzhen (CN)

(72) Inventor: **Youpei Hu**, Shenzhen (CN)

(**) Term: **15 Years**

(21) Appl. No.: **29/821,465**

(22) Filed: **Dec. 30, 2021**

(51) **LOC (14) Cl.** **07-01**

(52) **U.S. Cl.**
USPC **D7/507**; D9/539

(58) **Field of Classification Search**
USPC D7/300.1, 396.1, 396.2, 413, 501, 507, D7/509, 510, 511, 530, 602, 608, 629; D3/201, 202; D9/428, 516, 530, 537, D9/539, 549, 558, 571, 715, 719, 772, D9/779, 780; D24/197
CPC B65D 1/00; B65D 1/02; B65D 1/0223; B65D 23/00; B65D 2501/00; B65D 2501/0009; A45F 3/16; A45F 3/18; A47G 19/22; A47G 19/2205
See application file for complete search history.

(56) **References Cited**

U.S. PATENT DOCUMENTS

D441,292 S * 5/2001 Mohary D9/542
D548,086 S * 8/2007 Conway D7/300.1
D744,787 S 12/2015 Robb
D752,391 S 3/2016 Hatherell
D753,482 S * 4/2016 Serrano D9/428
D763,031 S 8/2016 Liu
D766,090 S * 9/2016 Boroski D7/509
D767,336 S 9/2016 Waggoner
D780,533 S * 3/2017 Seiders D7/624.2
D788,527 S * 6/2017 Smith D7/378
D799,901 S 10/2017 Jacob
D836,983 S 1/2019 Jacob

D856,807 S * 8/2019 Akman D9/571
D858,212 S * 9/2019 Hewitt D7/510
D863,888 S * 10/2019 Meyers D7/378
D865,447 S * 11/2019 Meyers D7/378
D874,224 S * 2/2020 Omdahl, II D7/509
D874,285 S * 2/2020 Yourist D7/509
D874,287 S * 2/2020 Yourist D7/509

(Continued)

FOREIGN PATENT DOCUMENTS

NZ 428798-0001 * 5/2021

OTHER PUBLICATIONS

Signice 3-in-1 Insulated Can Cooler, posted at Amazon.com on May 14, 2021, [site visited Oct. 11, 2022]. Available from internet, URL: <<https://www.amazon.com/dp/B094YPDL61/>> (Year: 2021).*

(Continued)

Primary Examiner — Andrew Kerr
Assistant Examiner — Chariton Alexakis
(74) *Attorney, Agent, or Firm* — Rumit Ranjit Kanakia

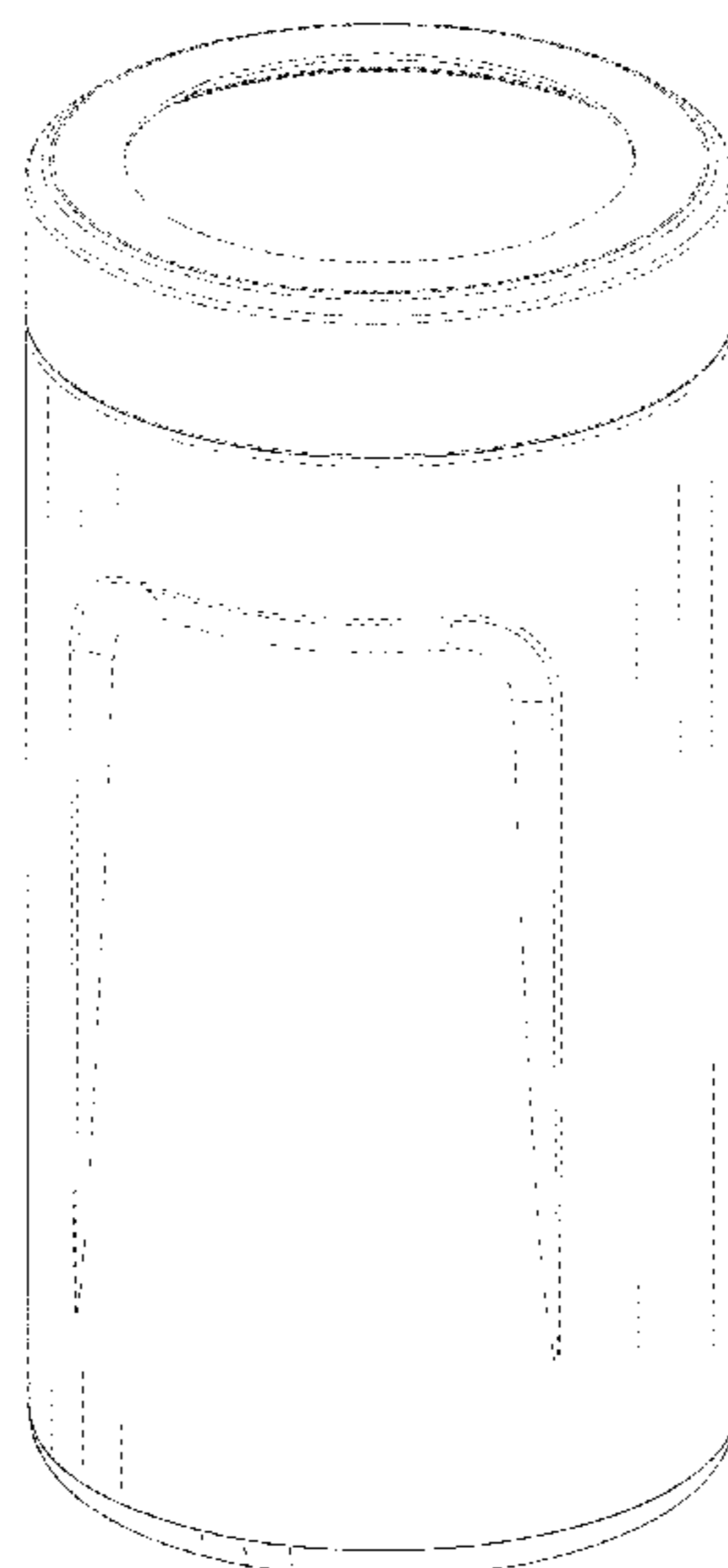
(57) **CLAIM**

The ornamental design for a beverage container, as shown and described.

DESCRIPTION

FIG. 1 is a perspective view of a beverage container showing my new design;
FIG. 2 is another perspective view thereof;
FIG. 3 is a front elevational view thereof, the rear elevational view is identical;
FIG. 4 is a left side view thereof, the right side view is identical;
FIG. 5 is a top plan view thereof; and,
FIG. 6 is a bottom plan view thereof.
The broken lines in the figures depict portions of the beverage container that form no part of the claimed design.

1 Claim, 5 Drawing Sheets



(56)

References Cited

U.S. PATENT DOCUMENTS

D888,505 S * 6/2020 Seiders D7/624.2
D899,854 S 10/2020 Jacob
D902,666 S 11/2020 Wu
D902,667 S 11/2020 Wu
D904,118 S 12/2020 Jacob
D917,230 S * 4/2021 Zitron D7/507
D923,428 S * 6/2021 Haas D7/624.2
D929,186 S * 8/2021 Stefani D7/538

OTHER PUBLICATIONS

3-IN-1 Insulated Can Cooler—Signice Double Walled Vacuum Insulator Stainless Steel Slim Can Cooler for 12 Oz Skinny Tall Can/Standard Regular Can / Beer Bottle (Glitter Purple Blue), Amazon.com, Feb. 7, 2021, Signice, <https://www.amazon.com/dp/B08L6R2T53/?th=1>, (Last accessed : Dec. 26, 2022).

* cited by examiner

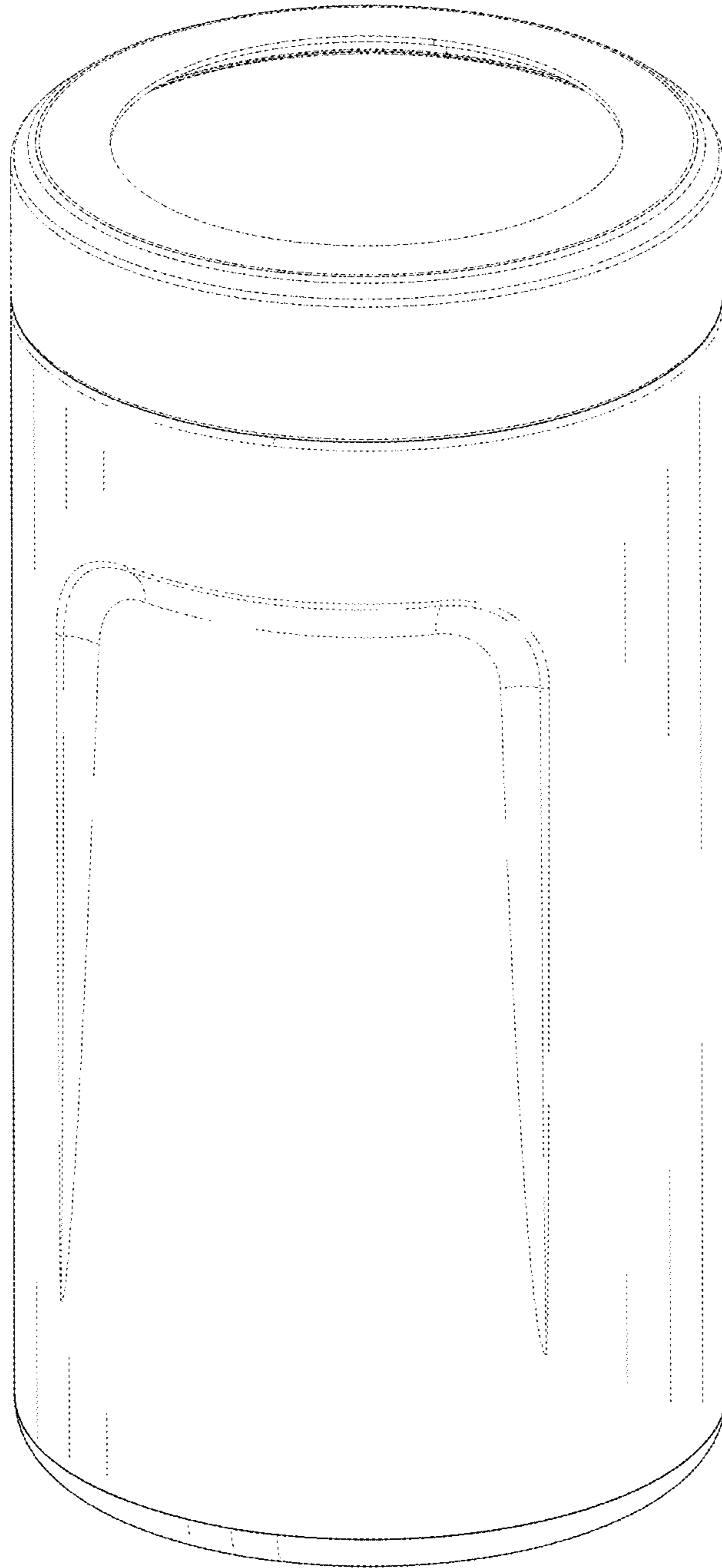


FIG. 1

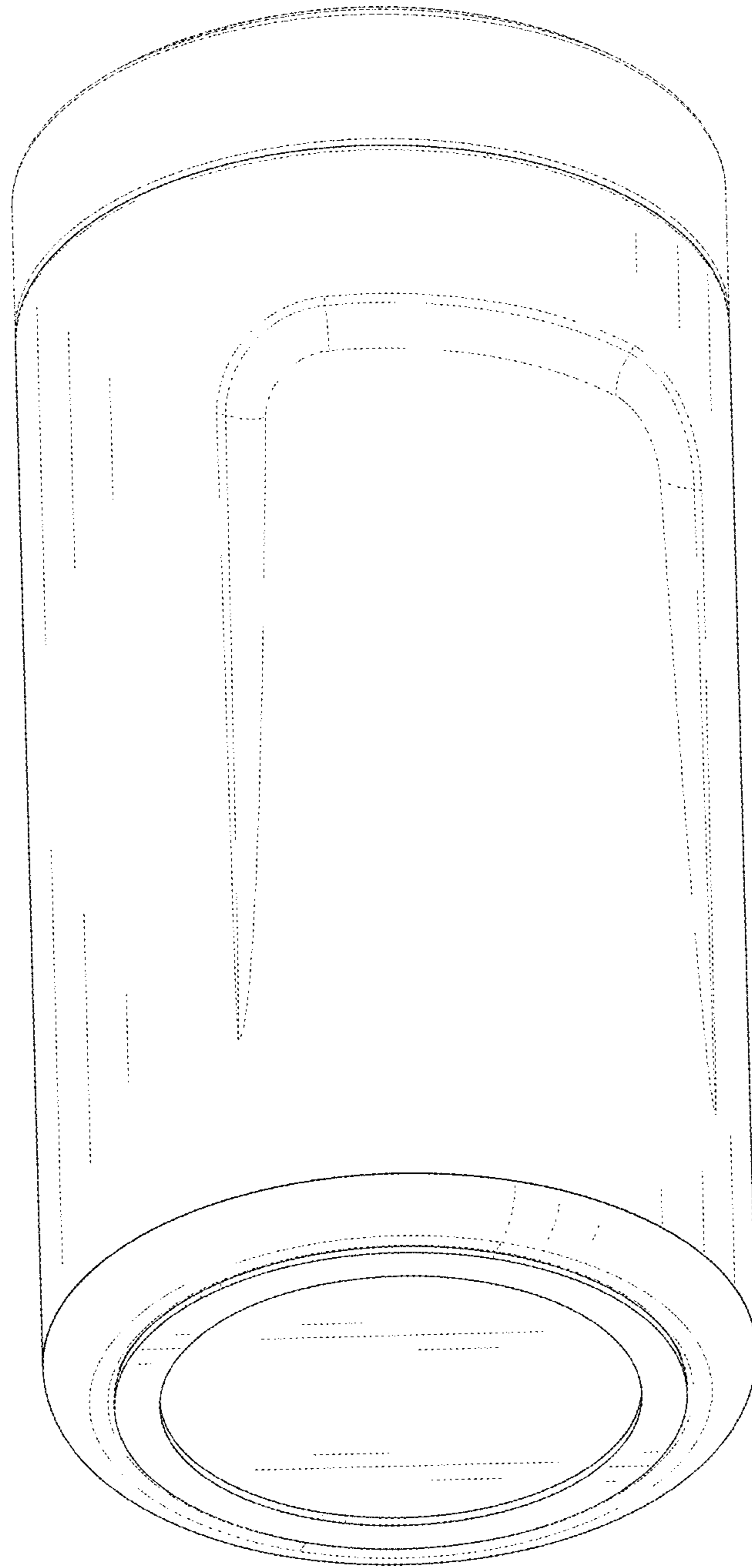


FIG. 2

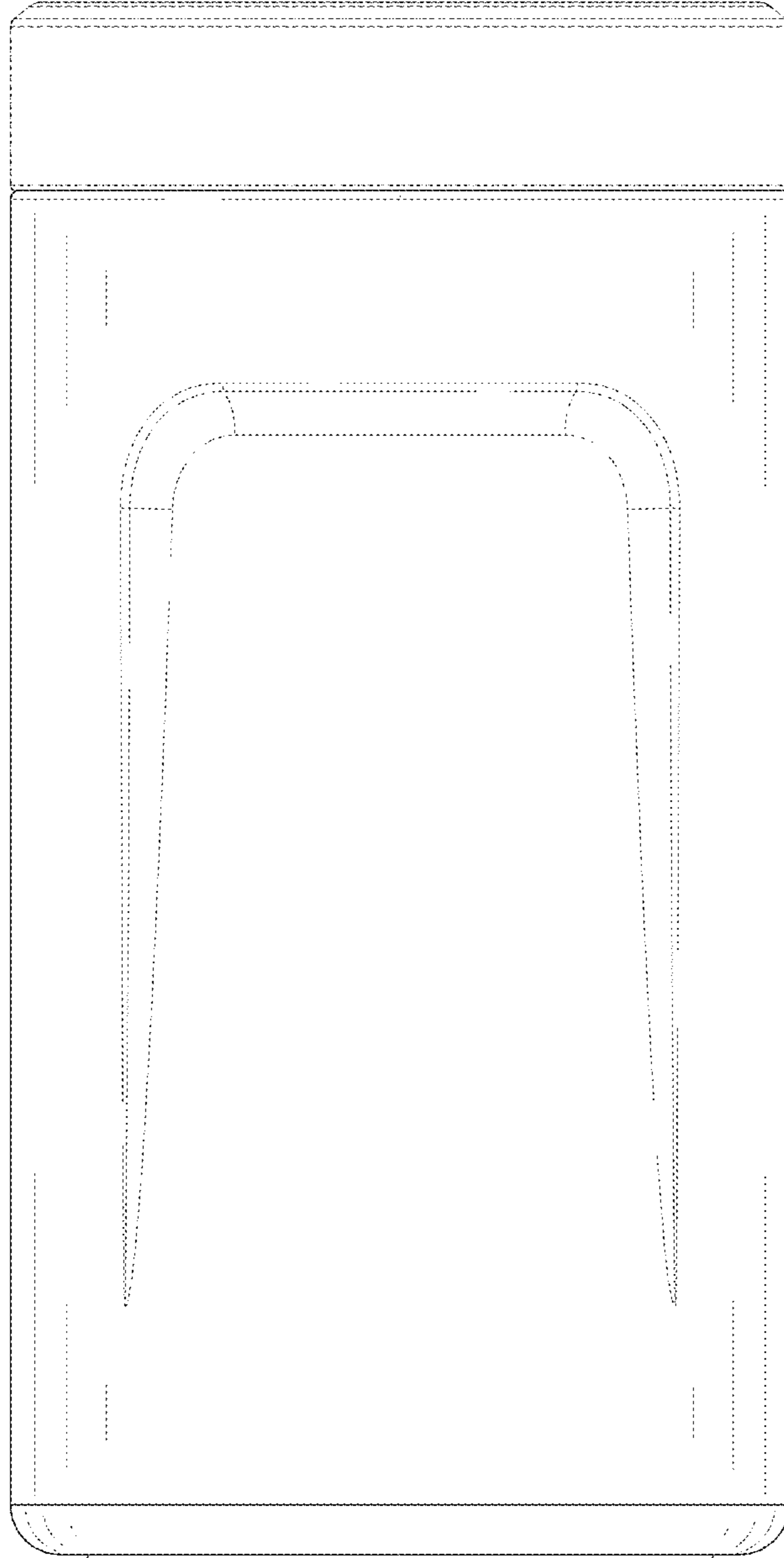


FIG. 3

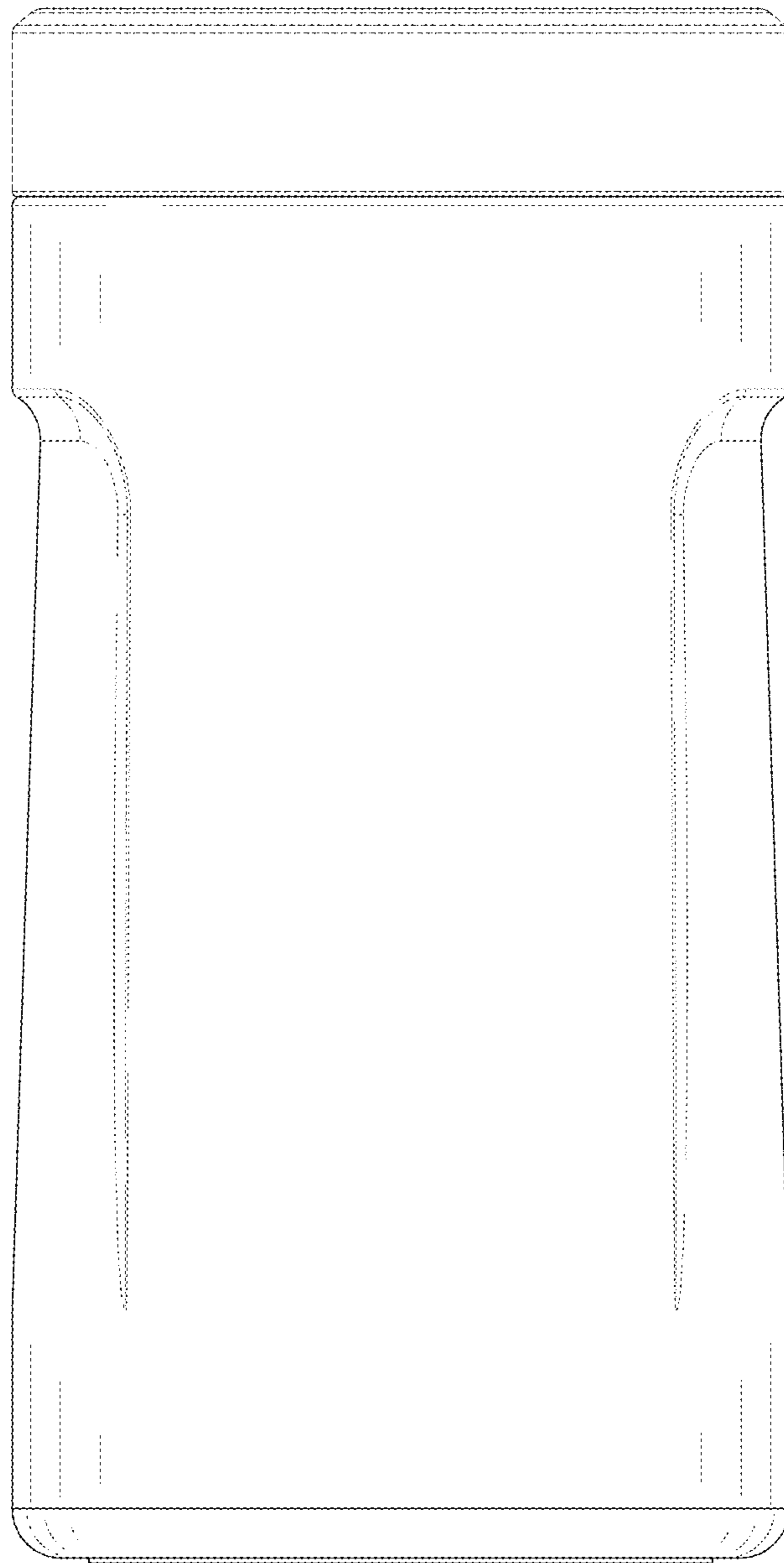


FIG. 4

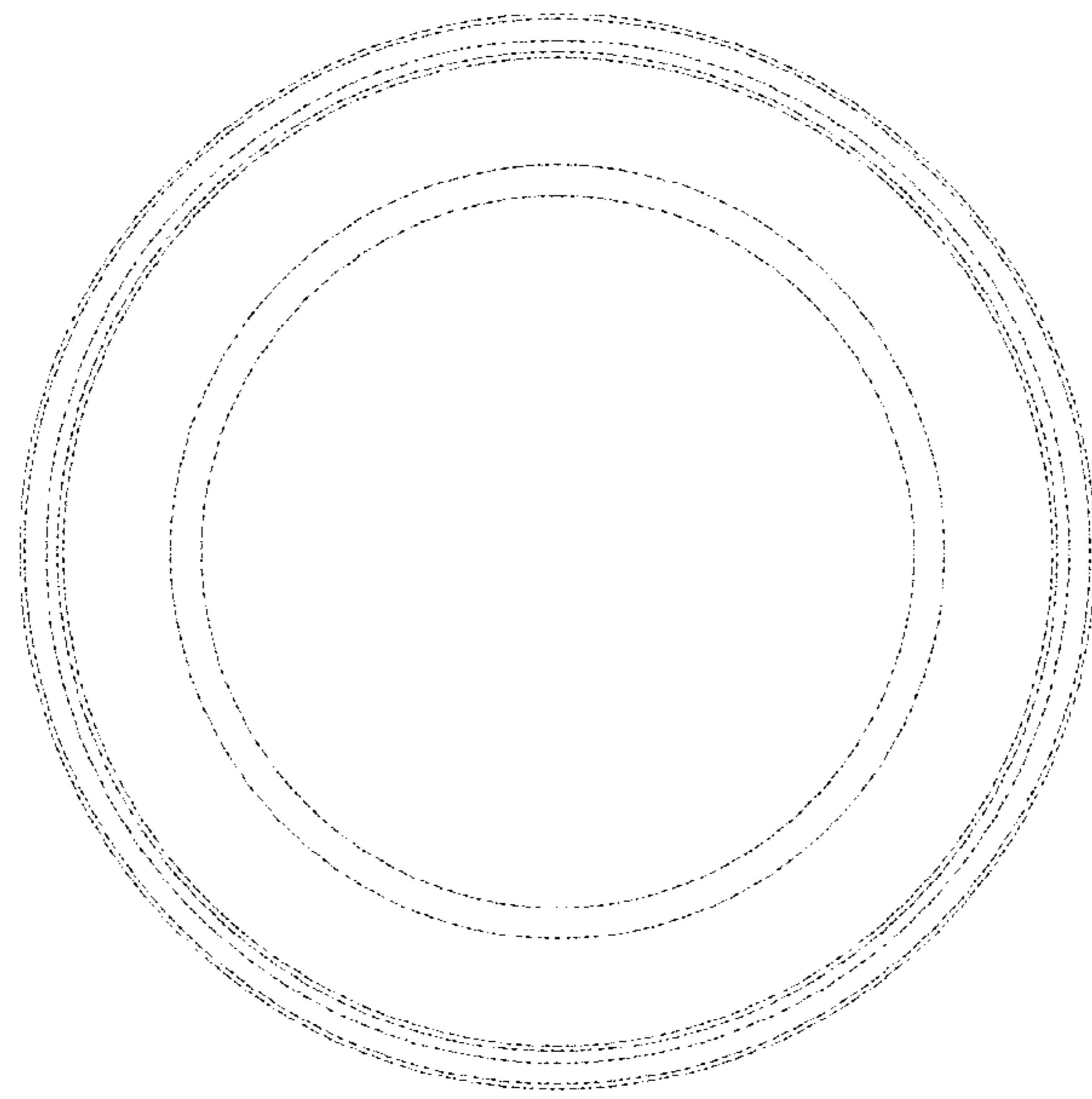


FIG. 5

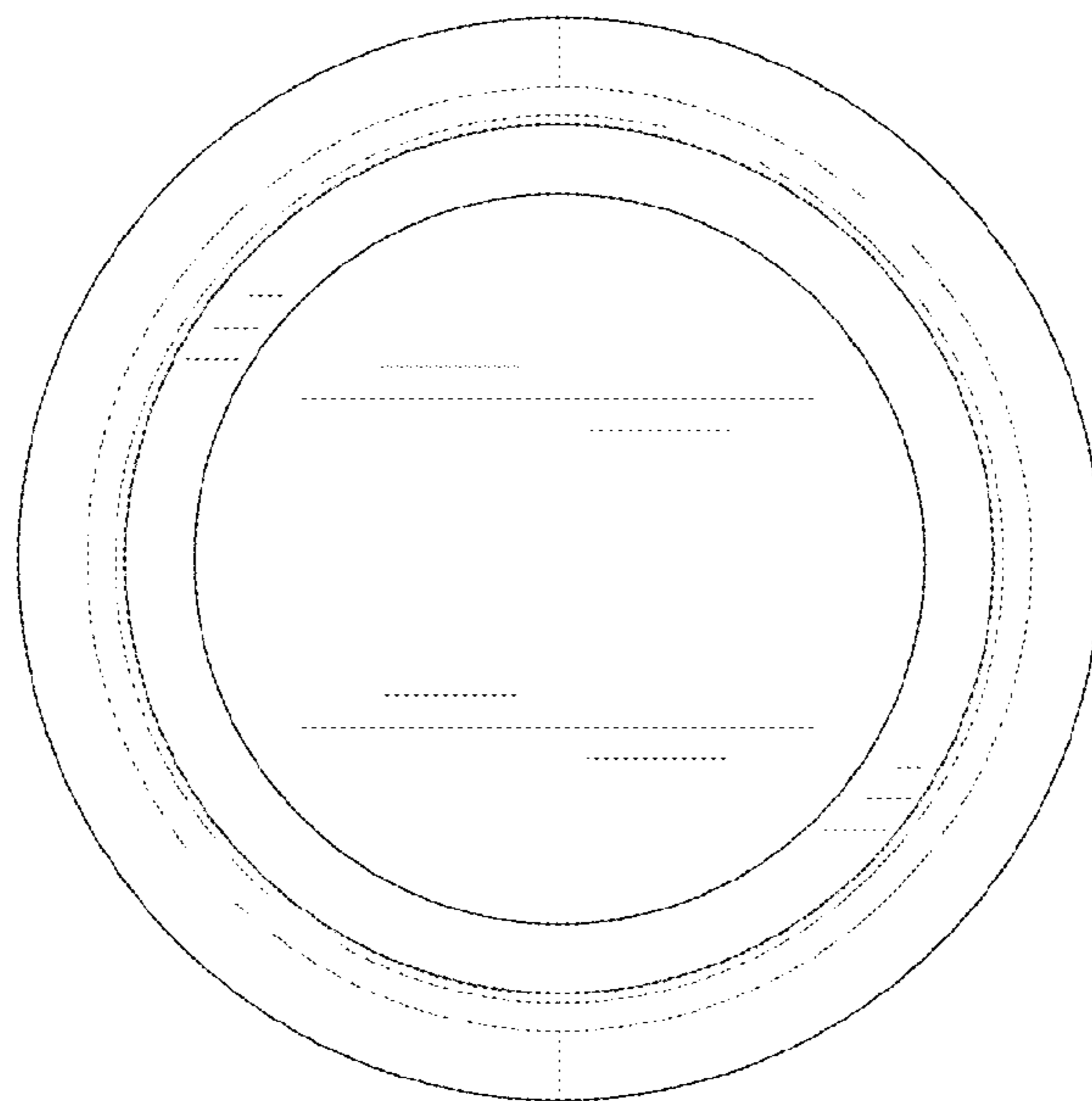


FIG. 6