



US00D984209S

(12) **United States Design Patent**
Pedersen et al.

(10) **Patent No.:** **US D984,209 S**

(45) **Date of Patent:** **** Apr. 25, 2023**

(54) **SUCTION CUP**

(71) Applicant: **Gripwiq ApS**, Frederikshavn (DK)

(72) Inventors: **Mads Møller Pedersen**, Jerup (DK);
Rene Nørgaard, Støvring (DK)

(73) Assignee: **GRIPWIQ ApS**, Frederikshavn (DK)

(**) Term: **15 Years**

(21) Appl. No.: **29/788,207**

(22) Filed: **Apr. 12, 2021**

(51) **LOC (14) Cl.** **07-04**

(52) **U.S. Cl.**
USPC **D7/412**; D15/146

(58) **Field of Classification Search**
USPC D15/199, 145–146; D21/576, 578, 566;
D24/113, 170, 200, 215, 133, 138;
D7/368, 369, 386, 397, 401, 412, 601,
D7/605, 688, 689, 692
CPC A61B 5/0476; A61B 5/165; A61B 5/4836;
A61H 15/0078; B23K 9/133; B23K
9/287; B25J 9/0018; B25J 19/0025
See application file for complete search history.

(56) **References Cited**

U.S. PATENT DOCUMENTS

D512,278 S	*	12/2005	Schultz	D7/629
D676,959 S	*	2/2013	Flyash	D24/133
D697,372 S	*	1/2014	Everingham	D7/601
D702,273 S	*	4/2014	Kim	D15/146
D734,688 S	*	7/2015	DeYoung	D11/152
D821,822 S	*	7/2018	Brown	D7/602
D842,025 S	*	3/2019	Hauser	D7/381
D873,706 S	*	1/2020	Couvillion	D11/155
D924,007 S	*	7/2021	Bannister	D7/378
D925,032 S	*	7/2021	Brown	D24/113
D925,630 S	*	7/2021	Galkin	D15/122
D939,274 S	*	12/2021	McConnell	D7/412

OTHER PUBLICATIONS

“Robot Suction cups SofTouch for handling of patties, pancakes, frozen vegetables” [online]. Gripwiq Experts in Soft Vacuum Grippers for food. [Published on Apr. 12, 2021]. Retrieved from the Internet: <<https://www.youtube.com/watch?v=118tpp3M0Yg>>.*
“Vacuum Grippers for the food processing and packaging industry” [online]. Gripwiq. [Retrieved on Jun. 11, 2022]. Retrieved from the Internet: <<https://gripwiq.com/cases/>>.*

* cited by examiner

Primary Examiner — Mojtaba Tehrani

(74) *Attorney, Agent, or Firm* — Clark & Brody LP

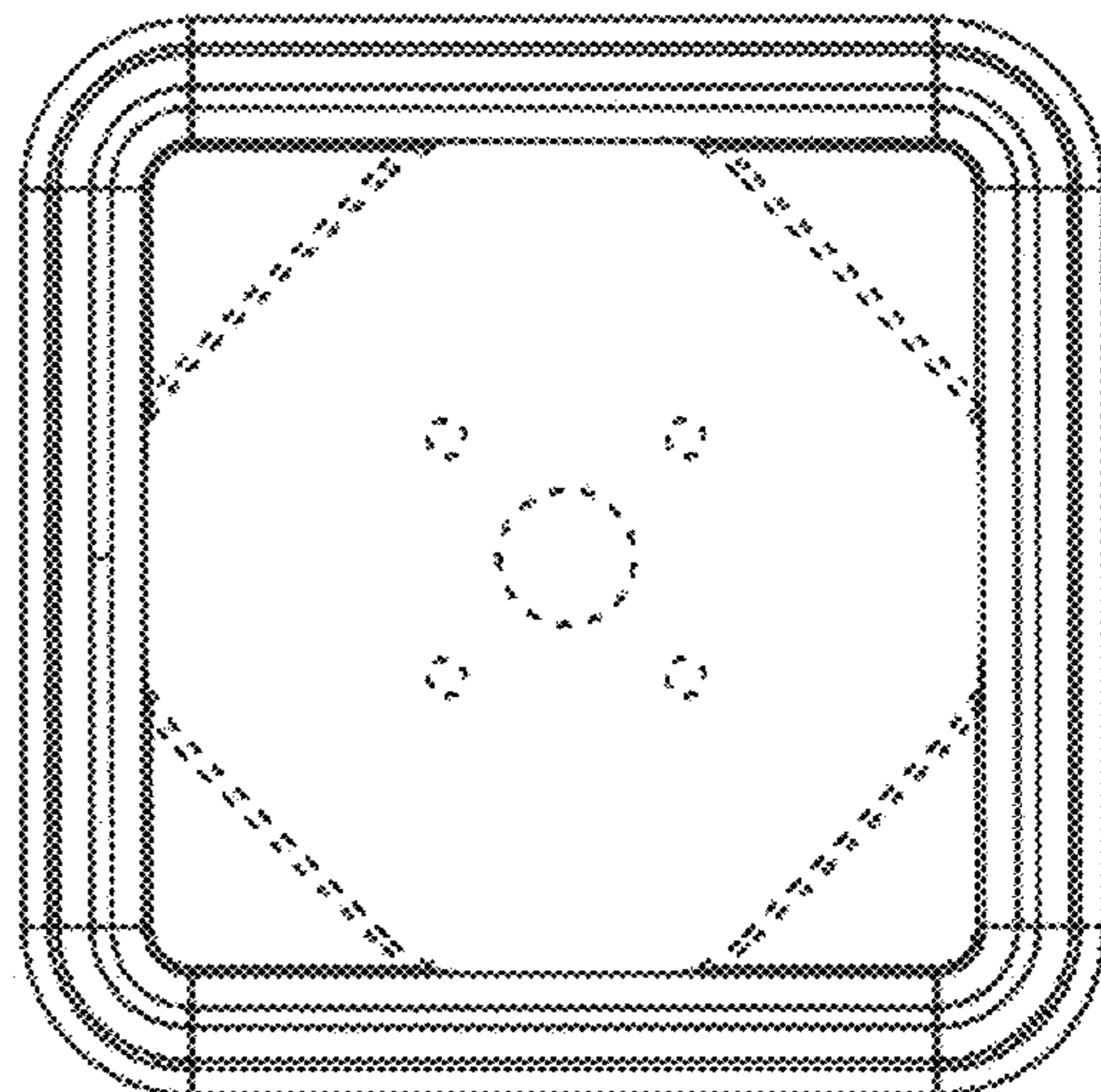
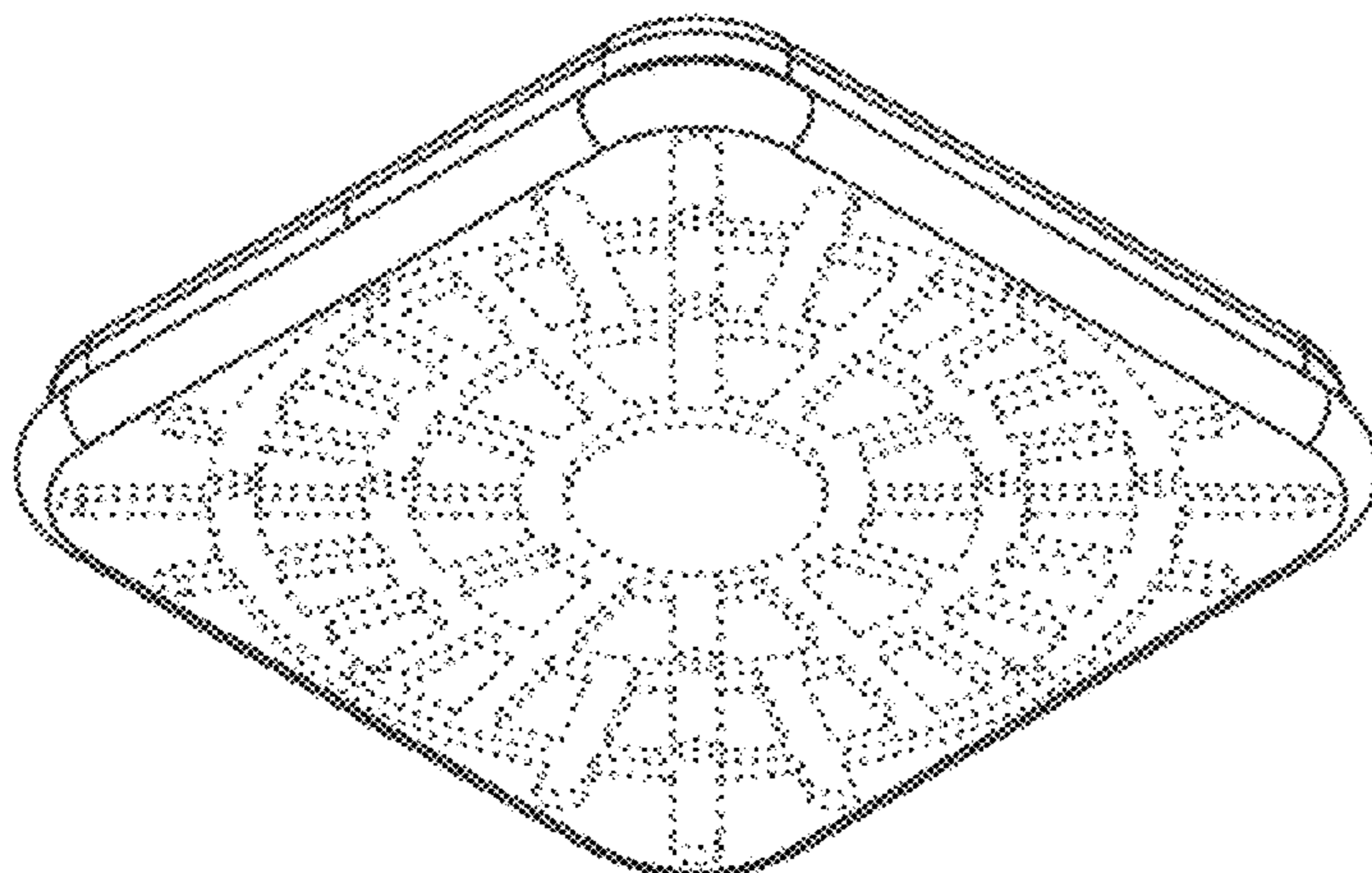
(57) **CLAIM**

The ornamental design for a suction cup, as shown and described.

DESCRIPTION

FIG. 1 is a front, left, bottom perspective view of a suction cup showing our new design;
FIG. 2 is a bottom plan view of the suction cup shown in FIG. 1;
FIG. 3 is a top plan view of the suction cup shown in FIG. 1;
FIG. 4 is a front elevational view of the suction cup shown in FIG. 1, the rear elevational view of which is a mirror image; and,
FIG. 5 is a left side elevational view of the suction cup shown in FIG. 1, the right side elevational view of which is a mirror image.
Portions of the article not shown in the drawing, if any, form no part of the claimed design.
The broken lines in the drawings depict unclaimed portions of the suction cup only, and form no part of the claimed design.

1 Claim, 5 Drawing Sheets



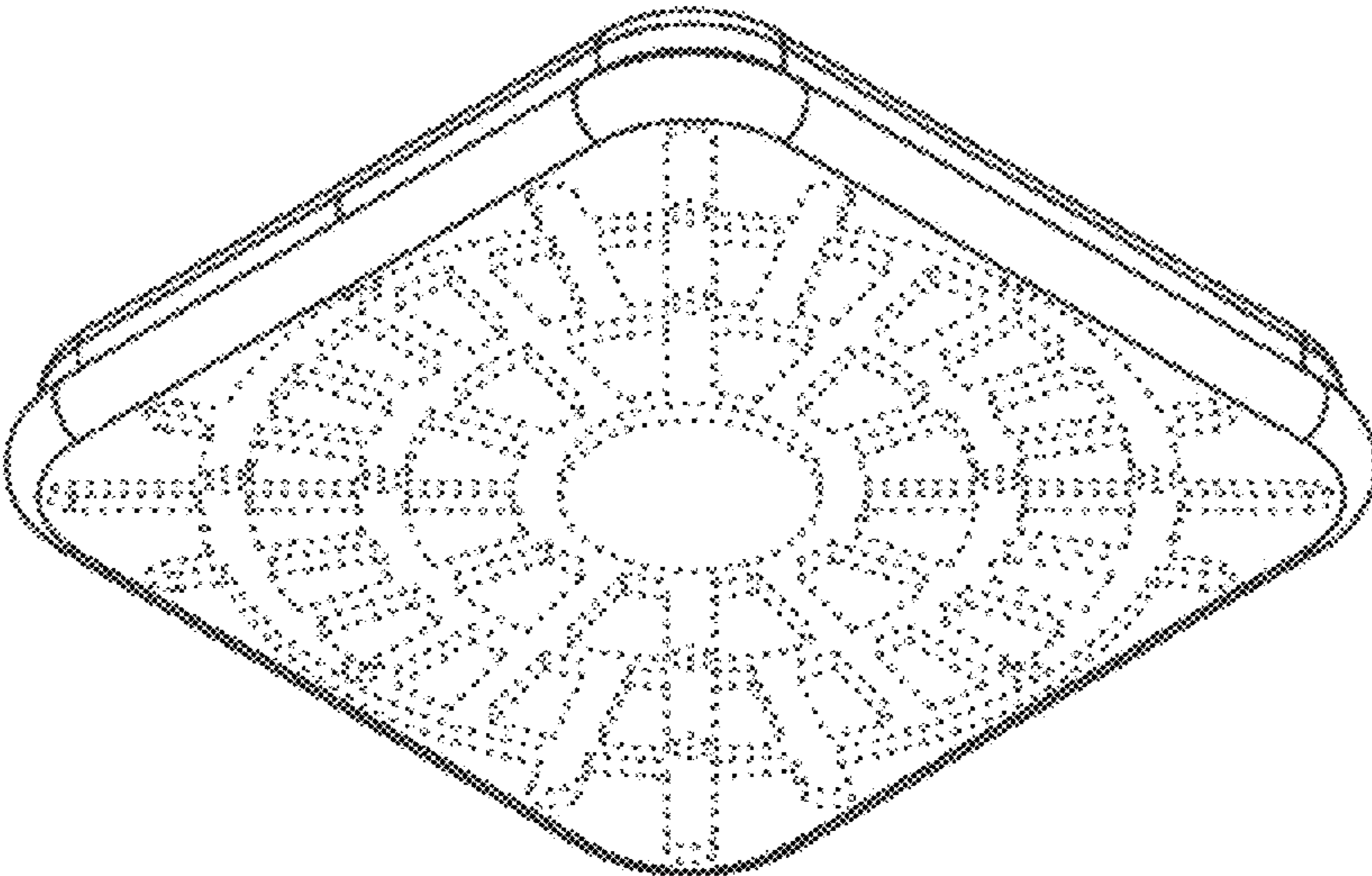


FIG. 1

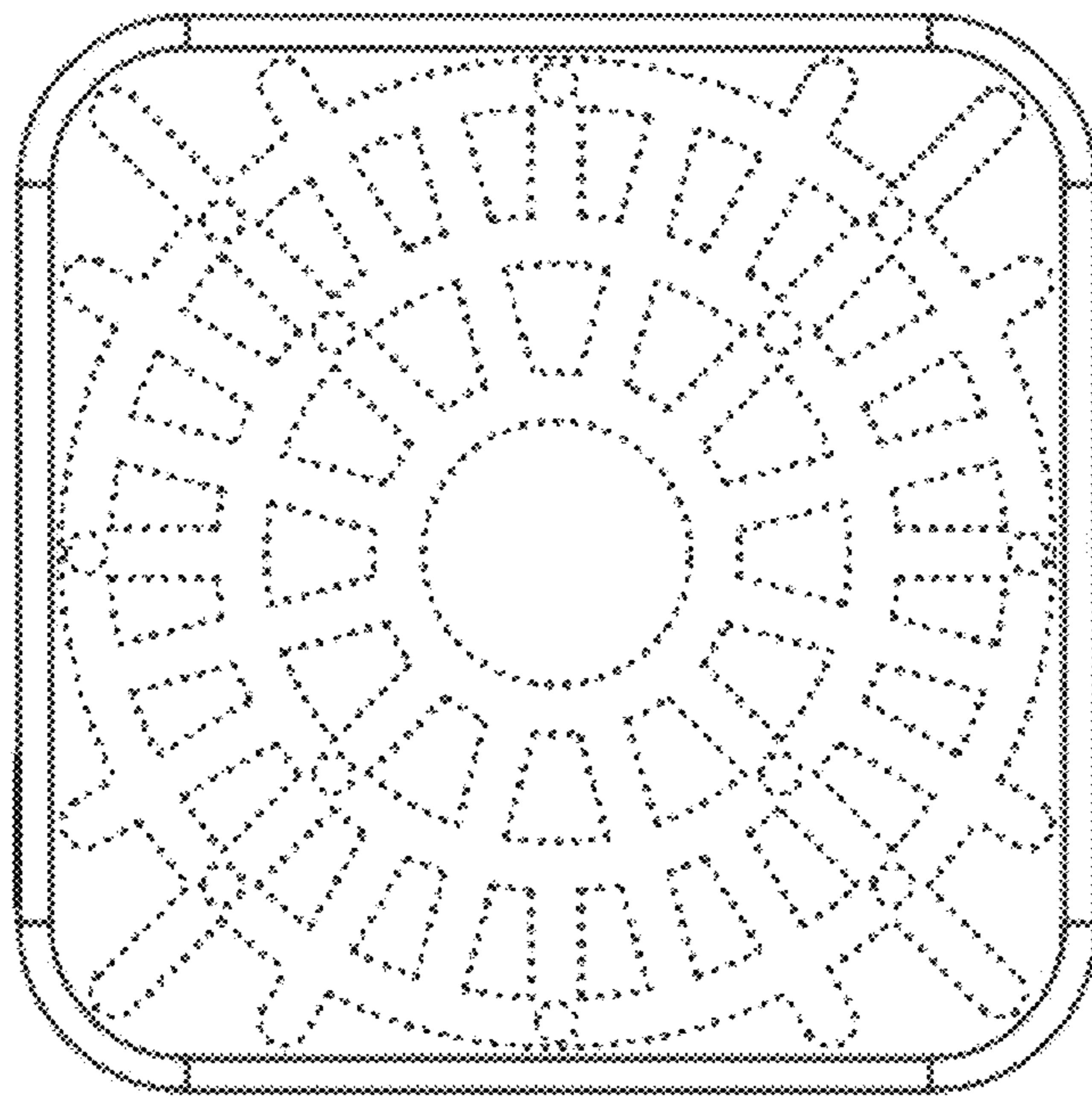


FIG. 2

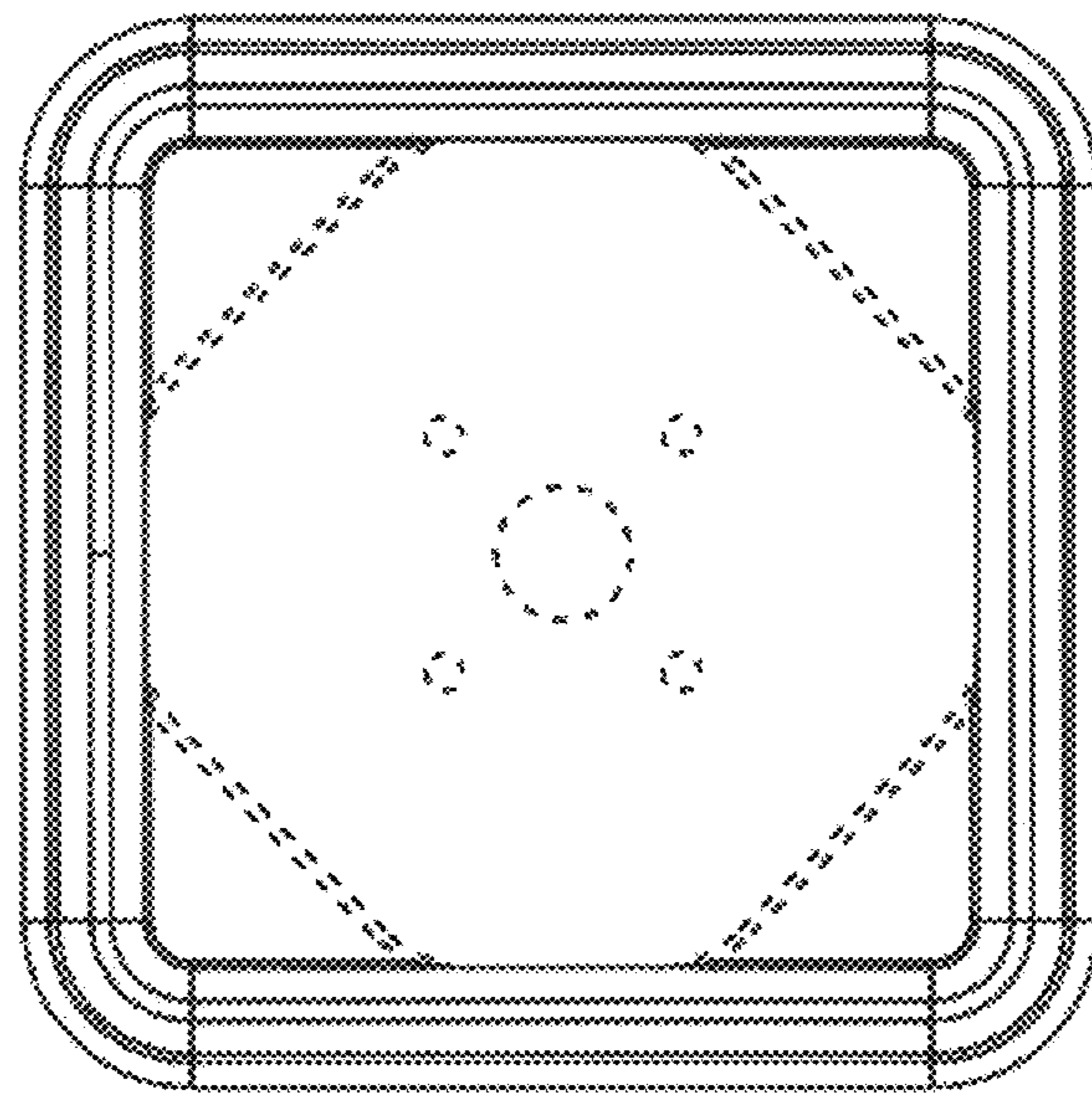


FIG. 3

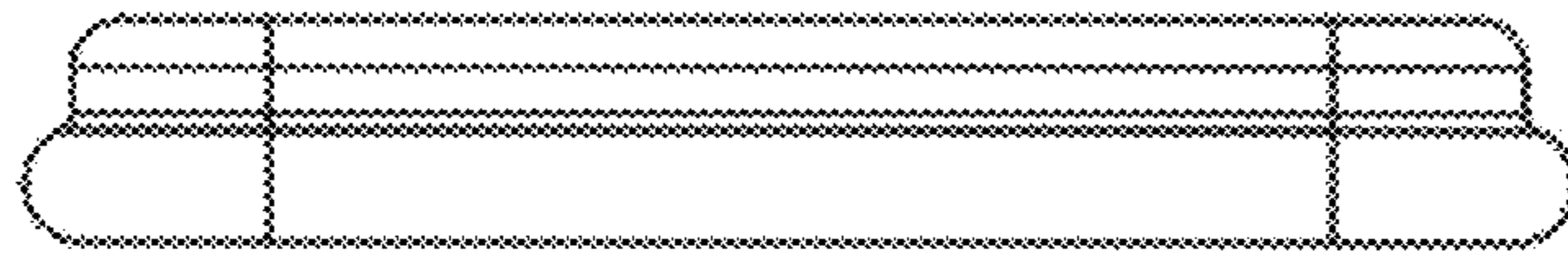


FIG. 4

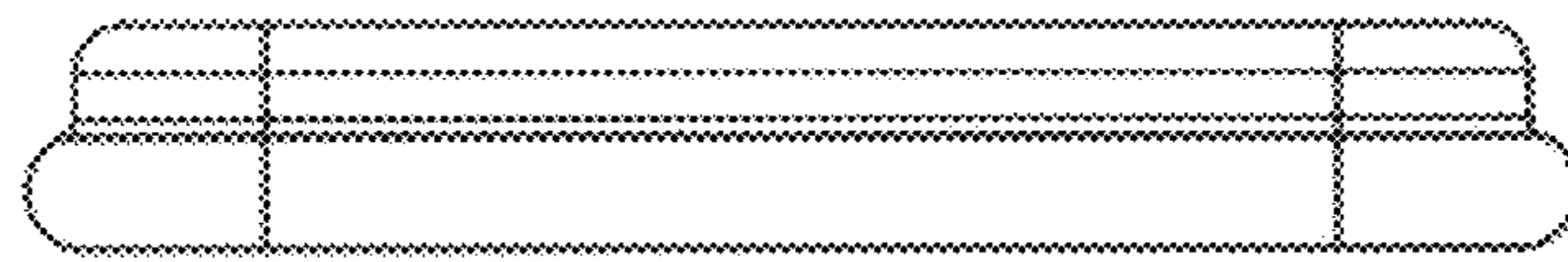


FIG. 5

UNITED STATES PATENT AND TRADEMARK OFFICE
CERTIFICATE OF CORRECTION

PATENT NO. : D984,209 S
APPLICATION NO. : 29/788207
DATED : April 25, 2023
INVENTOR(S) : Mads Møller Pedersen et al.

Page 1 of 1

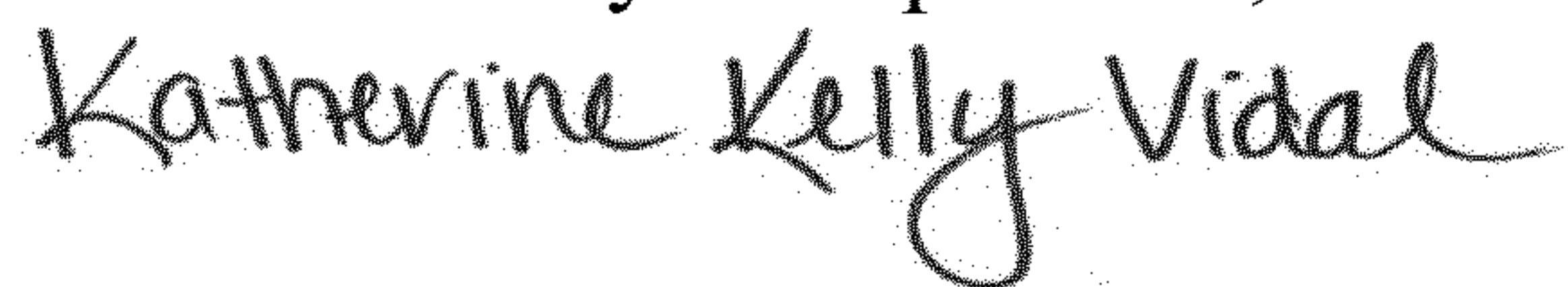
It is certified that error appears in the above-identified patent and that said Letters Patent is hereby corrected as shown below:

On the Title Page

Item (30) Foreign Priority information should be included as follows:

Oct. 12, 2020 (EM) 008201289-0006

Signed and Sealed this
Nineteenth Day of September, 2023



Katherine Kelly Vidal
Director of the United States Patent and Trademark Office