



US00D984208S

(12) **United States Design Patent**  
**Leclerc**

(10) **Patent No.:** **US D984,208 S**  
(45) **Date of Patent:** **\*\* Apr. 25, 2023**

(54) **SPLASH GUARD**  
(71) Applicant: **Marc Leclerc**, Comox (CA)  
(72) Inventor: **Marc Leclerc**, Comox (CA)  
(\*\*) Term: **15 Years**  
(21) Appl. No.: **29/745,552**  
(22) Filed: **Aug. 6, 2020**  
(51) **LOC (14) Cl.** ..... **31-00**  
(52) **U.S. Cl.**  
USPC ..... **D7/412**  
(58) **Field of Classification Search**  
USPC ..... D7/372, 376–388, 391, 396.1, 409,  
D7/412–413, 526, 538, 542, 562, 565,  
D7/566, 584, 588, 602, 629, 665–667,  
D7/669, 679, 693–694  
CPC .. A21C 1/02; A21C 1/04; A21C 1/144; A23N  
1/00; A23N 1/02; A47J 43/04; A47J  
43/22; A47J 43/25; A47J 43/27; A47J  
43/042; A47J 43/044; A47J 43/046; A47J  
43/075; A47J 43/0705; A47J 43/0711;  
A47J 43/0722; A47J 43/0727; A47J  
43/1093; B01F 3/00; B01F 3/0807; B01F  
3/0853; B01F 13/0059; B01F 13/0064;  
B01F 35/45; B01F 35/60; B02C 1/08;  
B02C 2/04; B02C 4/42; B02C 4/142;  
B02C 4/143; B02C 4/423; B02C 13/1835;  
B28C 5/10; B28C 5/12; B28C 5/14;  
B28C 5/16  
See application file for complete search history.

6,068,398 A \* 5/2000 Lin ..... B01F 35/60  
99/348  
6,123,449 A \* 9/2000 Sadek-Patt ..... A47J 43/0727  
220/731  
D458,804 S \* 6/2002 Reames ..... D7/409  
6,435,708 B1 \* 8/2002 Huang ..... B01F 35/60  
99/348  
D467,464 S \* 12/2002 Sampaio ..... D7/412  
8,147,126 B2 \* 4/2012 Huang ..... B01F 35/60  
366/331  
D727,090 S \* 4/2015 St. Jacques ..... D7/387

\* cited by examiner

Primary Examiner — Ricky Pham

(74) Attorney, Agent, or Firm — Fish IP Law, LLP

(56) **References Cited**

U.S. PATENT DOCUMENTS

4,549,811 A \* 10/1985 Schiffner ..... B01F 35/45  
366/331  
D395,195 S \* 6/1998 Heiberg ..... D7/391

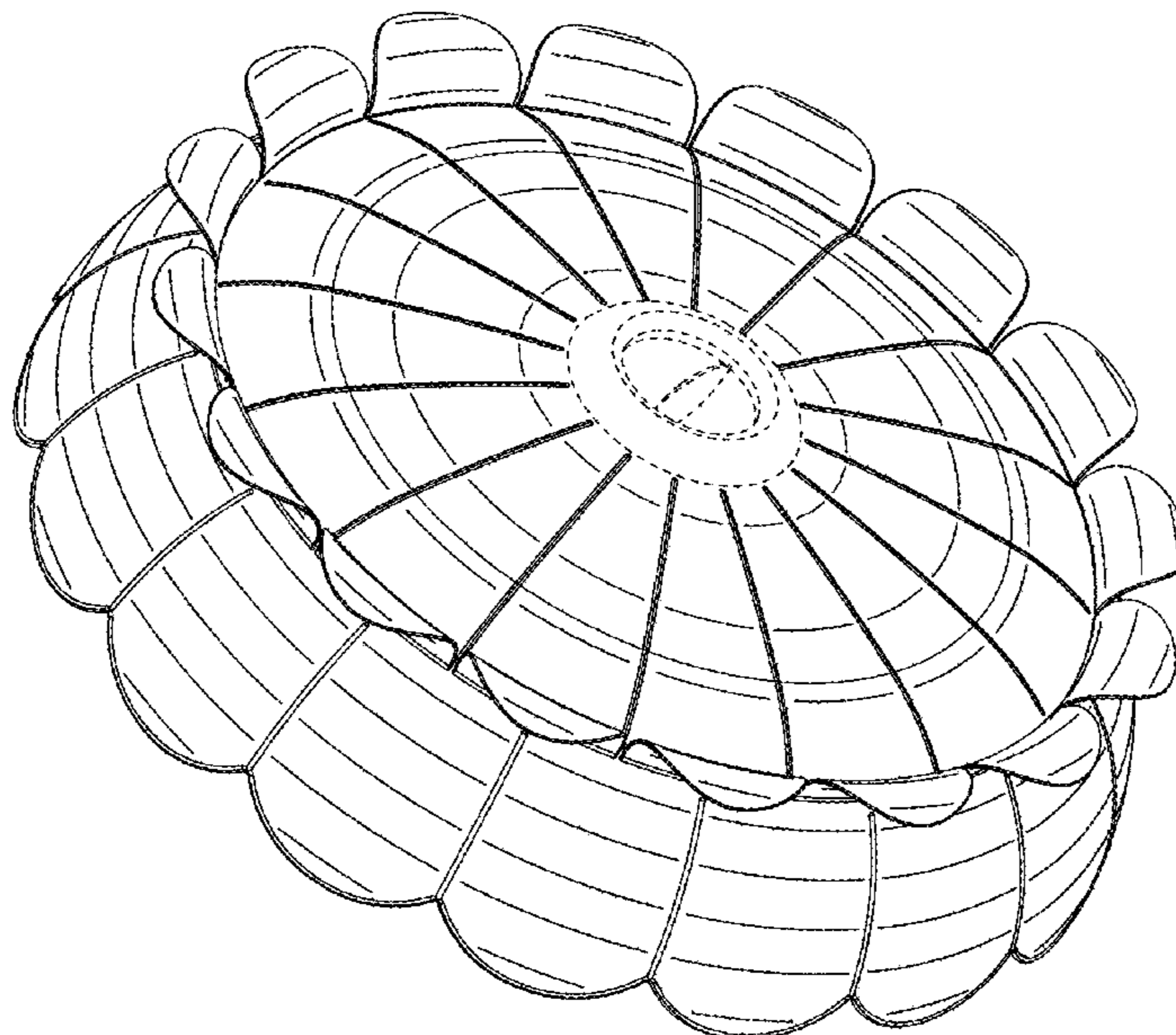
(57) **CLAIM**

The ornamental design for splash guard, as shown and described.

**DESCRIPTION**

FIG. 1 is a top, front, left-side perspective view of a splash guard.  
FIG. 2 is a left-side elevation view the splash guard of FIG. 1.  
FIG. 3 is a right-side elevation view of the splash guard of FIG. 1.  
FIG. 4 is a front elevation view of the splash guard of FIG. 1.  
FIG. 5 is a rear elevation view of the splash guard of FIG. 1; and,  
FIG. 6 is a top plan view of the of splash guard FIG. 1.  
The broken lines shown in the drawings are for illustrative purposes only and form no part of the claimed design.

**1 Claim, 4 Drawing Sheets**



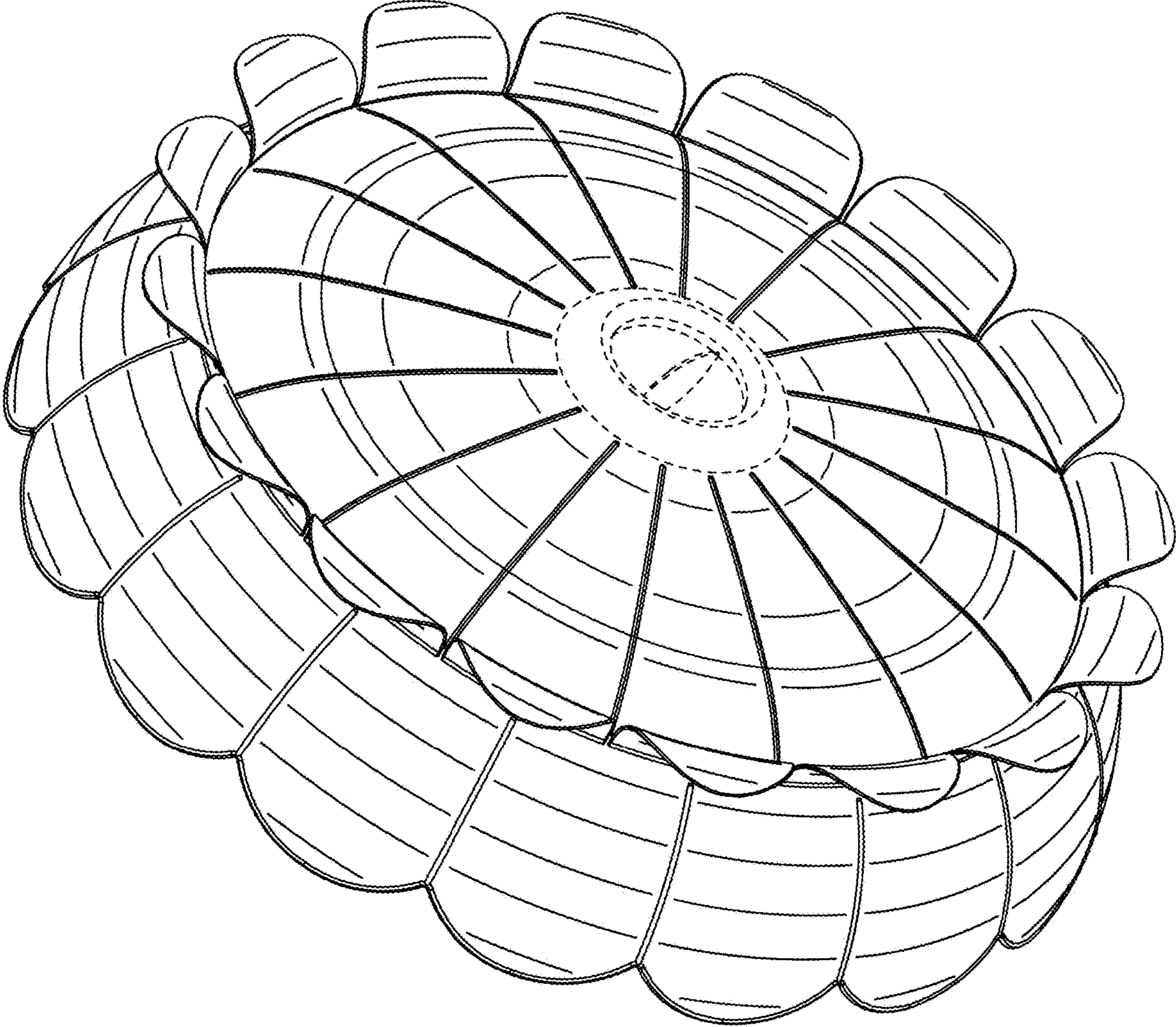


FIG. 1

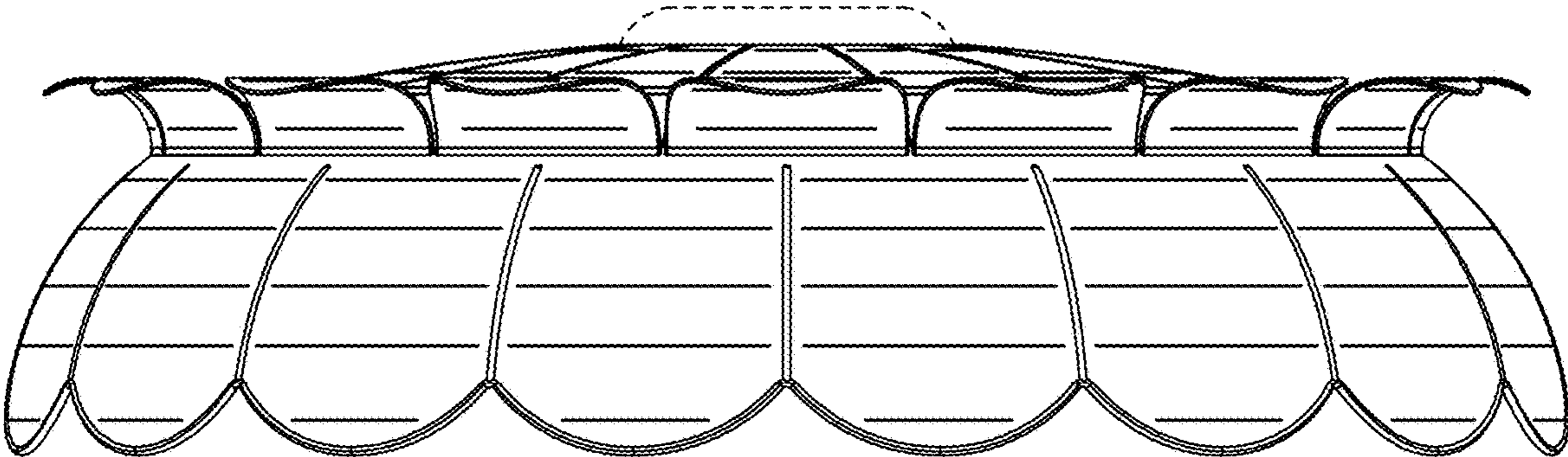


FIG. 2

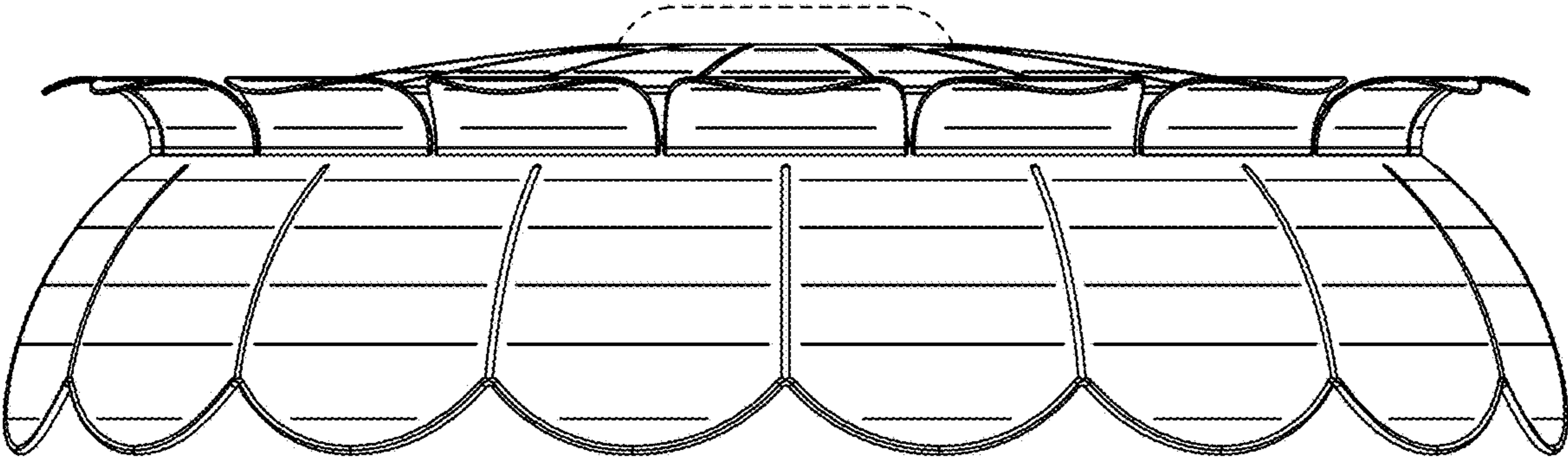


FIG. 3

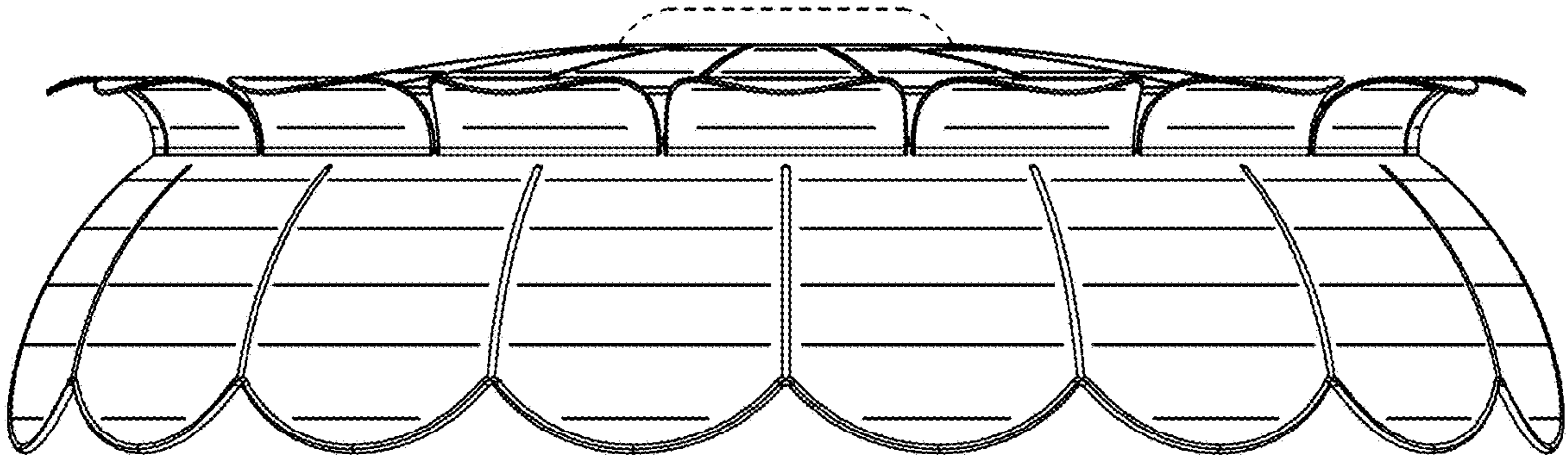


FIG. 4

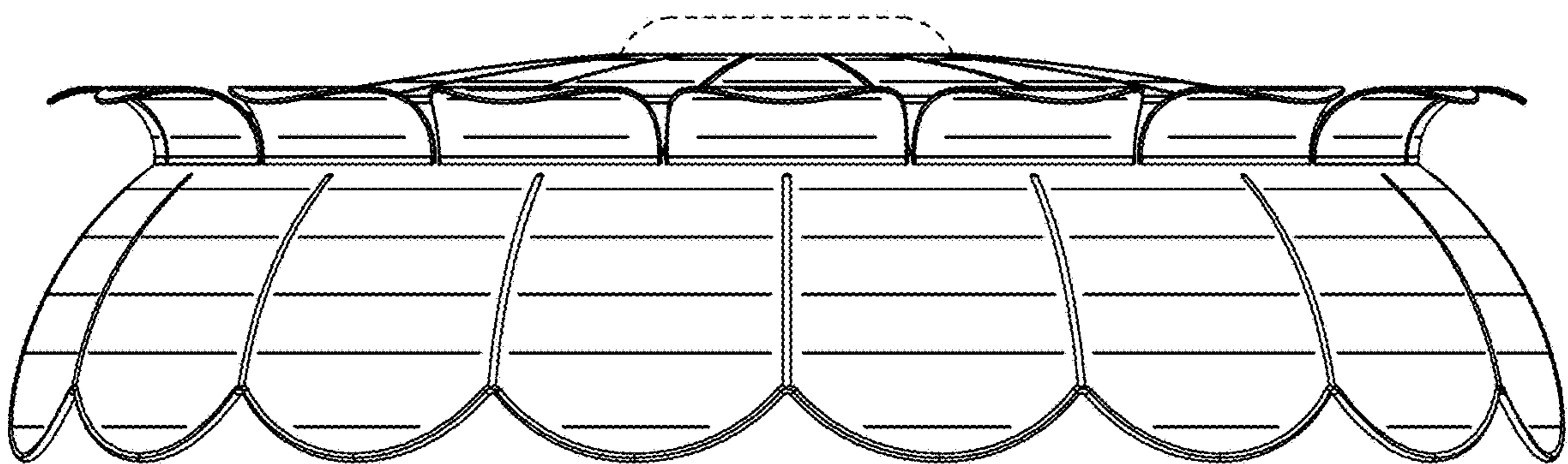


FIG. 5

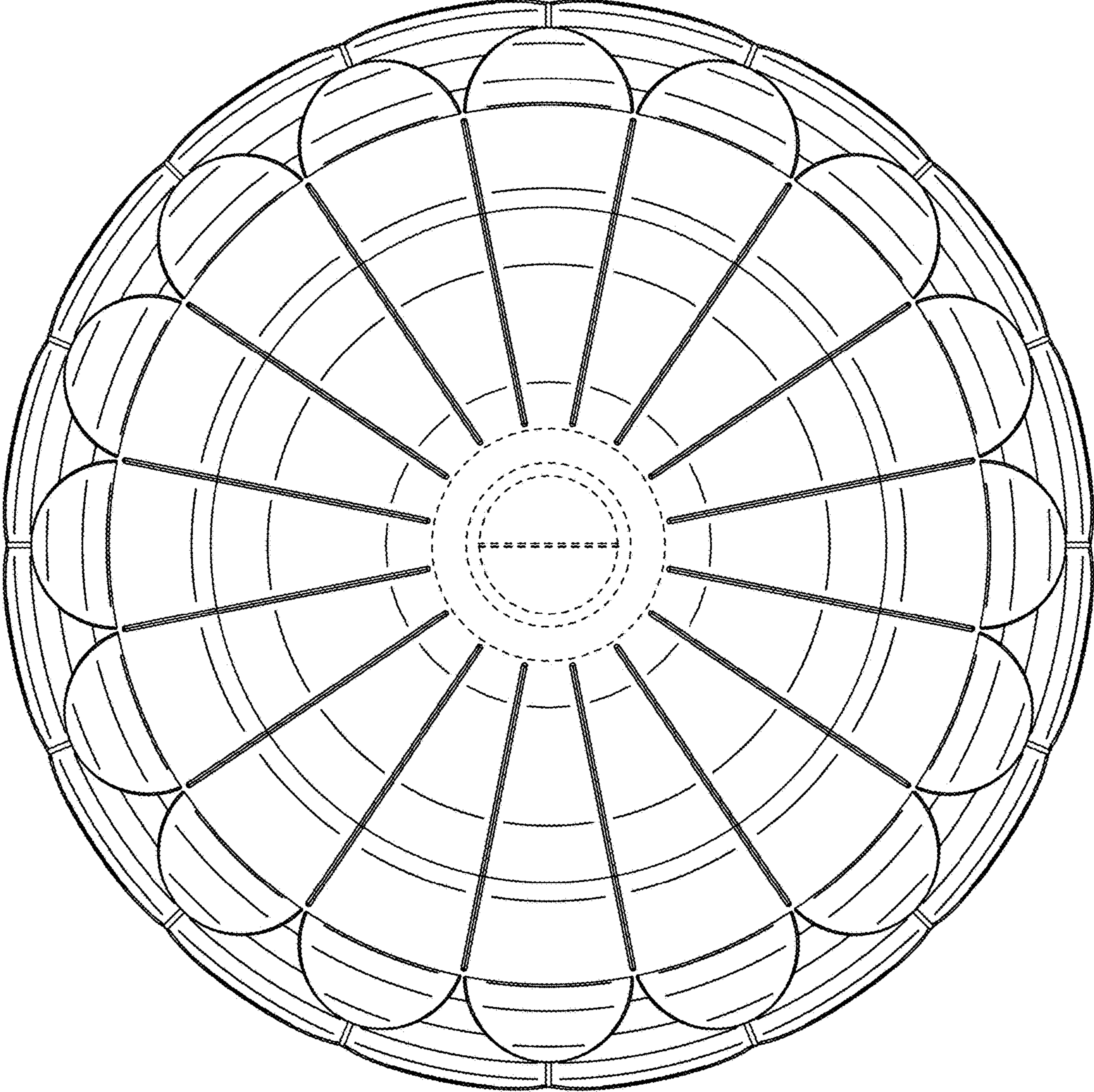


FIG. 6