



US00D984207S

(12) **United States Design Patent**
Yan

(10) **Patent No.:** **US D984,207 S**
(45) **Date of Patent:** **** Apr. 25, 2023**

(54) **GRILL STAND WITH BRACKET**

(71) Applicant: **Dongguan HaoHong Outdoor Products Technology Co., Ltd**, Dongguan (CN)
(72) Inventor: **Mengwei Yan**, Dongguan (CN)
(73) Assignee: **DONGGUAN HAOHONG OUTDOOR PRODUCTS TECHNOLOGY CO., LTD**, Dongguan (CN)

(**) Term: **15 Years**
(21) Appl. No.: **29/775,817**
(22) Filed: **Mar. 25, 2021**

(30) **Foreign Application Priority Data**

Mar. 4, 2021 (CN) 202130118548.7

(51) **LOC (14) Cl.** **07-02**

(52) **U.S. Cl.**
USPC **D7/409**

(58) **Field of Classification Search**
USPC D7/332, 337, 338, 339, 395, 402, 403, D7/409
CPC A23L 5/10; A47J 37/041; A47J 37/042; A47J 37/043; A47J 37/049; A47J 37/0745; A47J 37/047; A47J 37/0623; A47J 43/18; A47J 37/00; A47J 37/04; A47J 37/0786; A47J 37/0763; F24B 1/182; F24B 1/207; F24C 15/164
See application file for complete search history.

(56) **References Cited**

U.S. PATENT DOCUMENTS

2,887,944 A * 5/1959 Walker A47J 37/0745 188/106 R
3,248,518 A * 4/1966 Ogle, Jr. A47J 37/041 219/403
3,733,999 A * 5/1973 Bernstein A47J 37/041 99/421 H

(Continued)

OTHER PUBLICATIONS

Primo Rotisserie Kit for Oval Junior, amazon.com,. Retrieved from the internet Jan. 19, 2023<<https://www.amazon.com/Primo-Rotisserie-Kit-Oval-Junior/dp/B09YZP1L9J/> (Year: 2023).*

Primary Examiner — Joseph Kukella
Assistant Examiner — Darryl J Dardenne
(74) *Attorney, Agent, or Firm* — WPAT, P.C

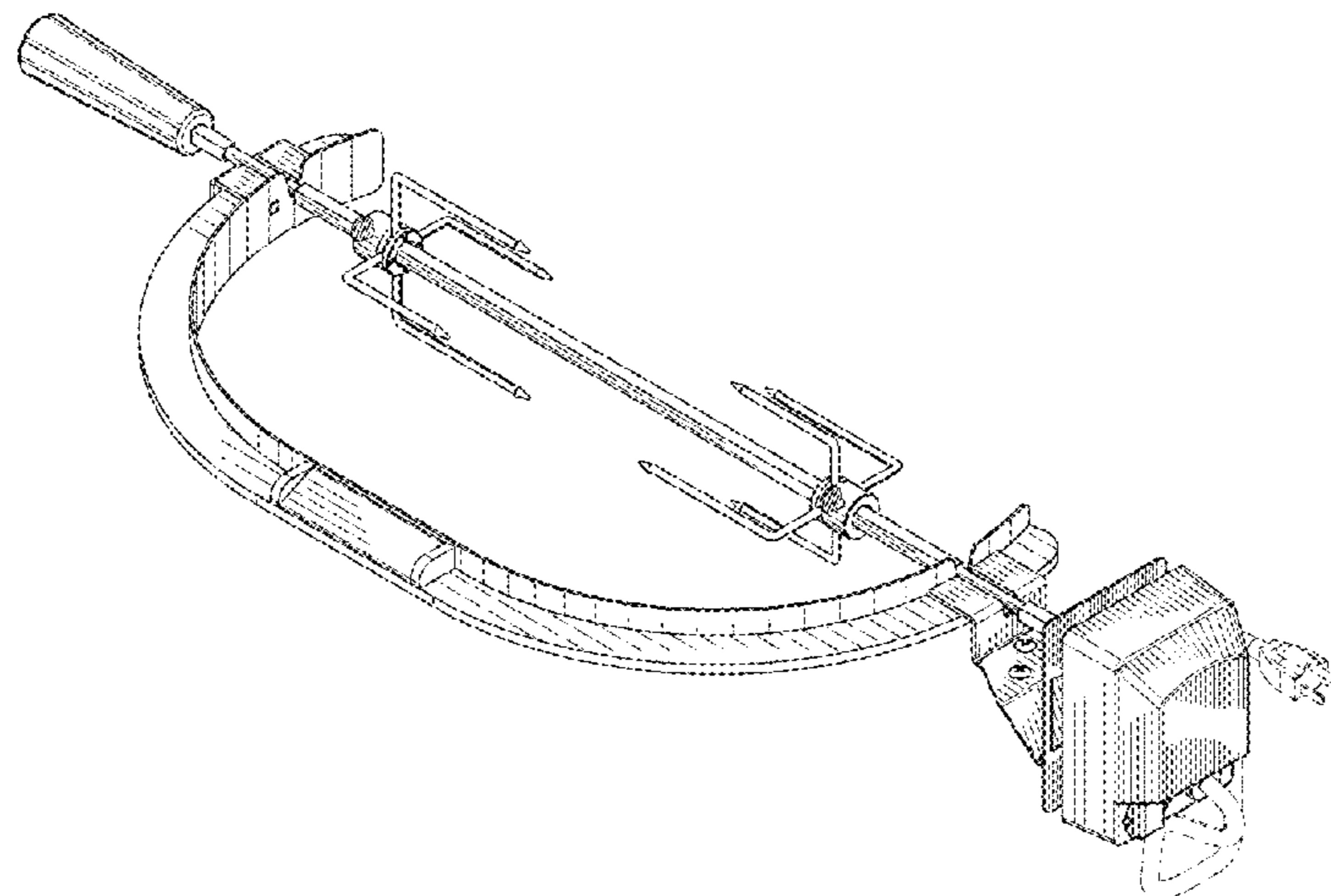
(57) **CLAIM**

The ornamental design for a grill stand with bracket, as shown and described.

DESCRIPTION

FIG. 1 is a perspective view of a grill stand with bracket with first embodiment showing my new design;
FIG. 2 is a front view of a grill stand with bracket with first embodiment;
FIG. 3 is a rear view of a grill stand with bracket with first embodiment;
FIG. 4 is a left side view of a grill stand with bracket with first embodiment;
FIG. 5 is a right side view of a grill stand with bracket with first embodiment;
FIG. 6 is a top view of a grill stand with bracket with first embodiment;
FIG. 7 is a bottom view of a grill stand with bracket with first embodiment; and,
FIG. 8 is a perspective view of a second embodiment of a grill stand with bracket, all features of which are the same as Embodiment 1 (FIGS. 1-7), the only difference being the shape of the bracket.
The showing of evenly broken lines is for illustrating portions of the article that form no part of the claimed design.

1 Claim, 6 Drawing Sheets



(56)

References Cited

U.S. PATENT DOCUMENTS

4,112,832 A * 9/1978 Severdia A47J 37/041
185/38
D261,092 S * 10/1981 Menard D7/409
D262,347 S * 12/1981 Bourne D7/409
D262,348 S * 12/1981 Levy D7/331
D270,421 S * 9/1983 Whelan D7/338
4,663,517 A * 5/1987 Huff A47J 37/041
219/448.11
D336,593 S * 6/1993 Yeuan A47J 37/041
D7/402
D381,552 S * 7/1997 Pizzey D7/332
5,801,357 A * 9/1998 Danen A47J 37/0709
219/403
D491,415 S * 6/2004 Rummel D7/402
D535,845 S * 1/2007 King D7/332
D895,357 S * 9/2020 Broadrick A47J 37/0745
D7/338
D968,869 S * 11/2022 Springer A47J 37/041
D7/338
2014/0305318 A1* 10/2014 Hopkins A47J 37/0786
99/421 H
2015/0027321 A1* 1/2015 Yu A47J 37/041
99/344

* cited by examiner

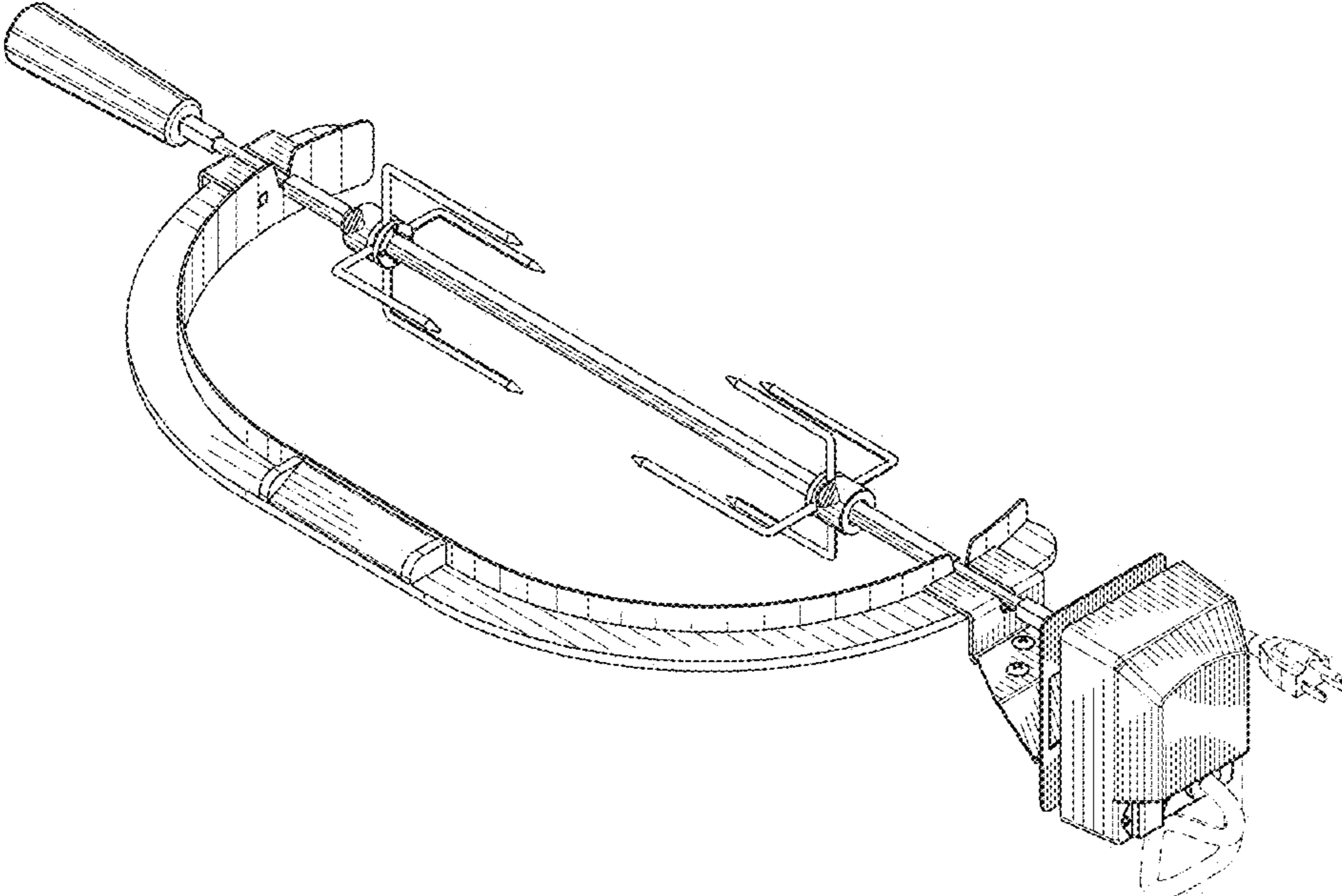


FIG. 1

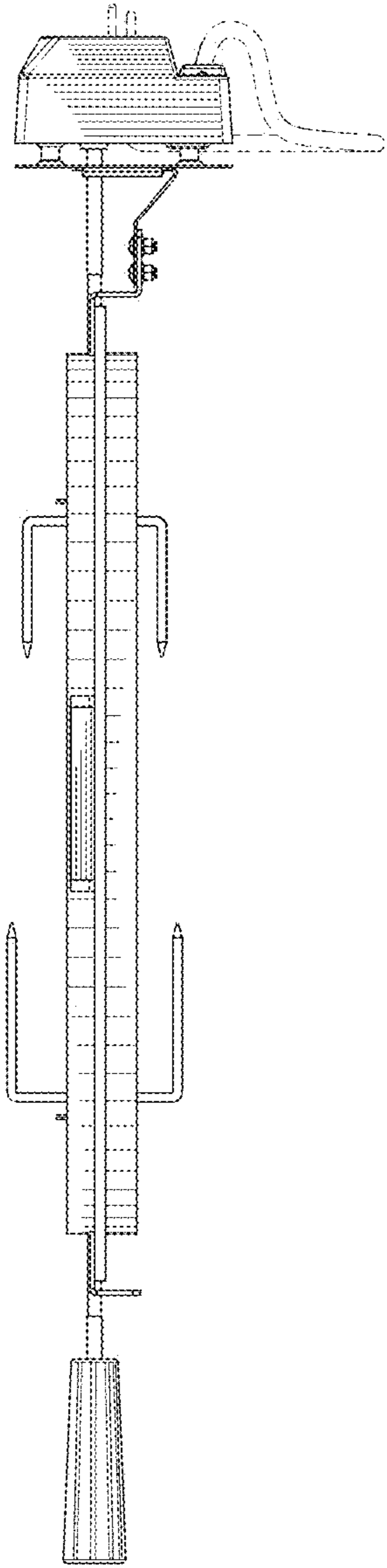


FIG. 2

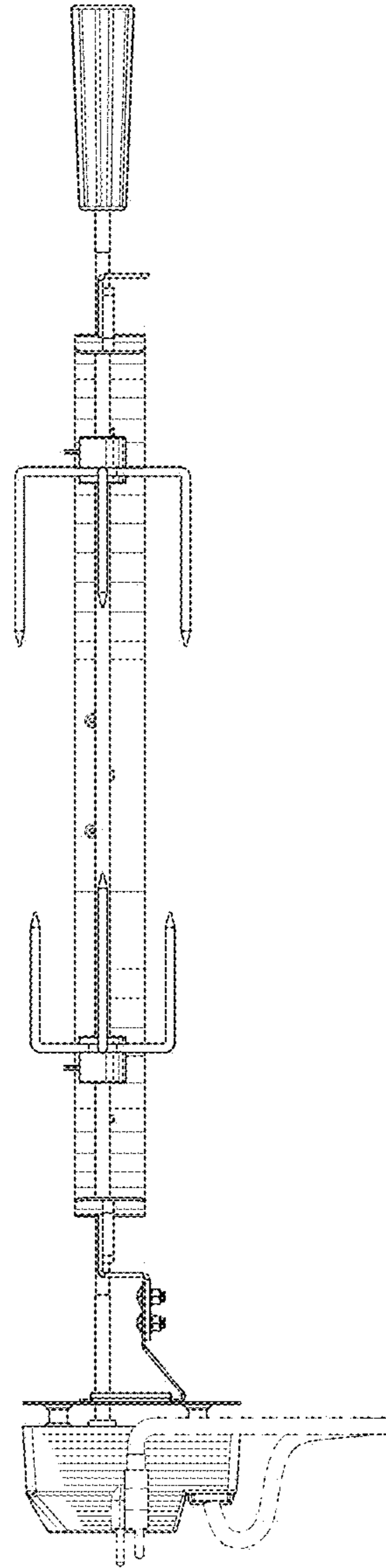


FIG. 3

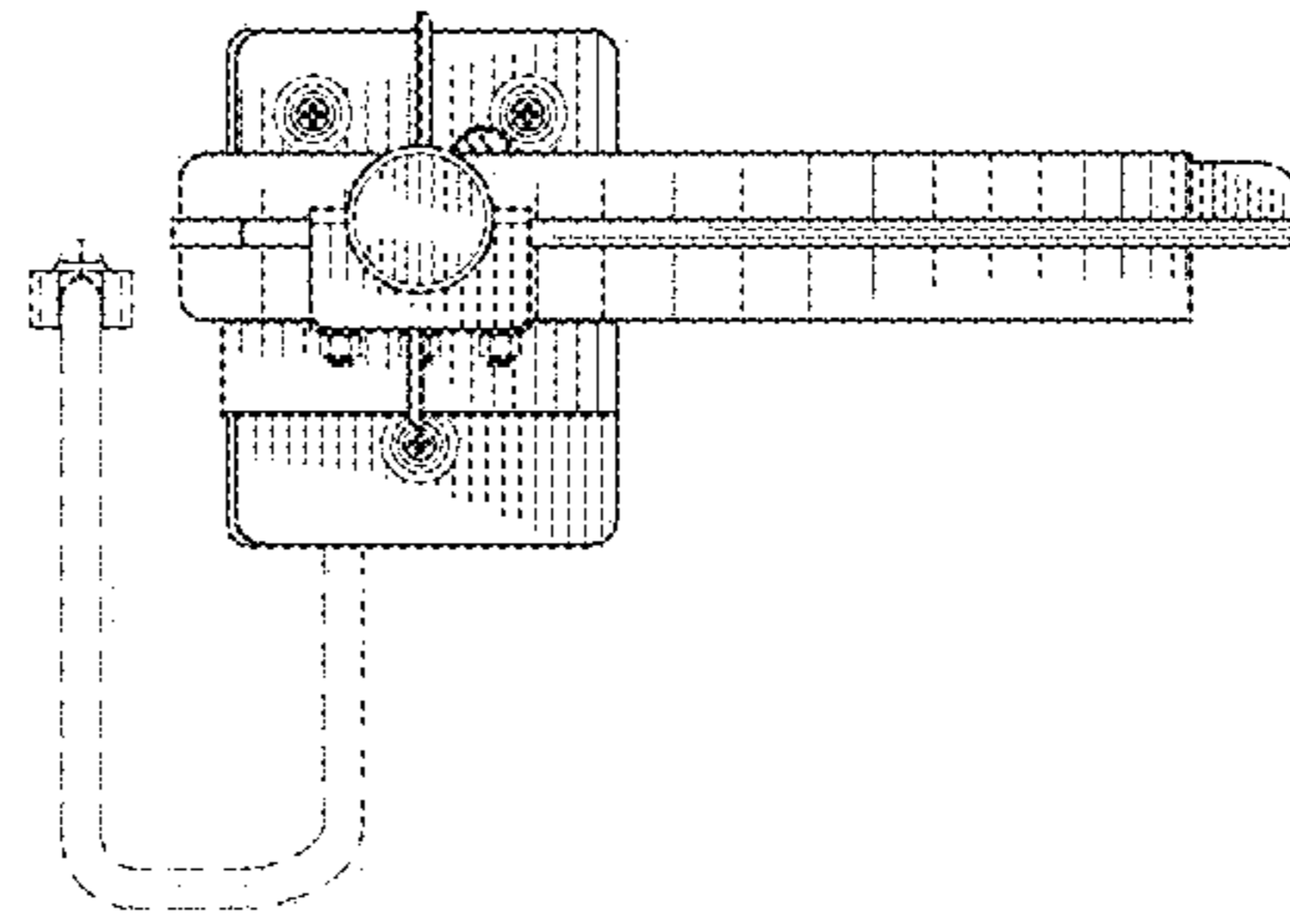


FIG. 4

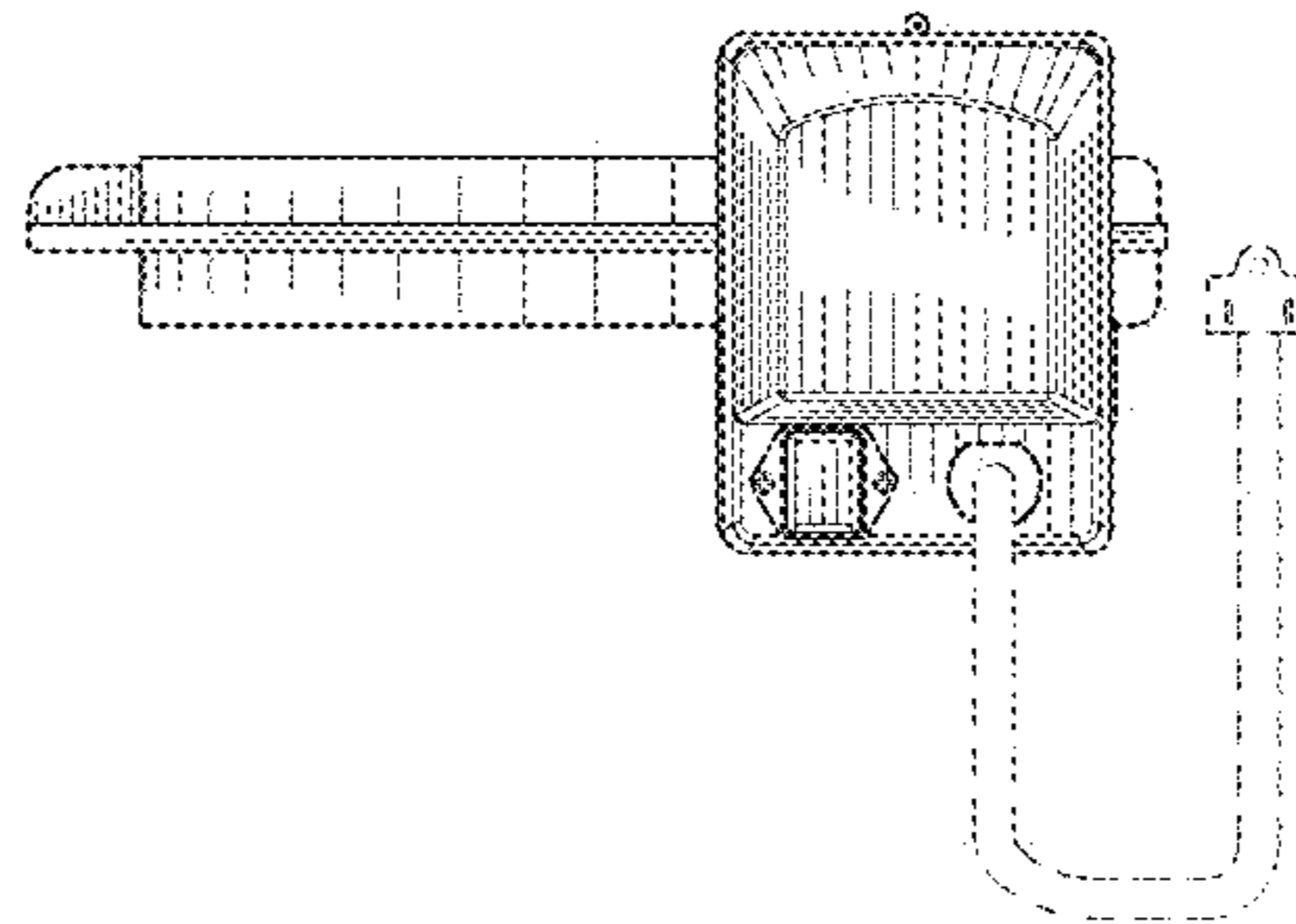


FIG. 5

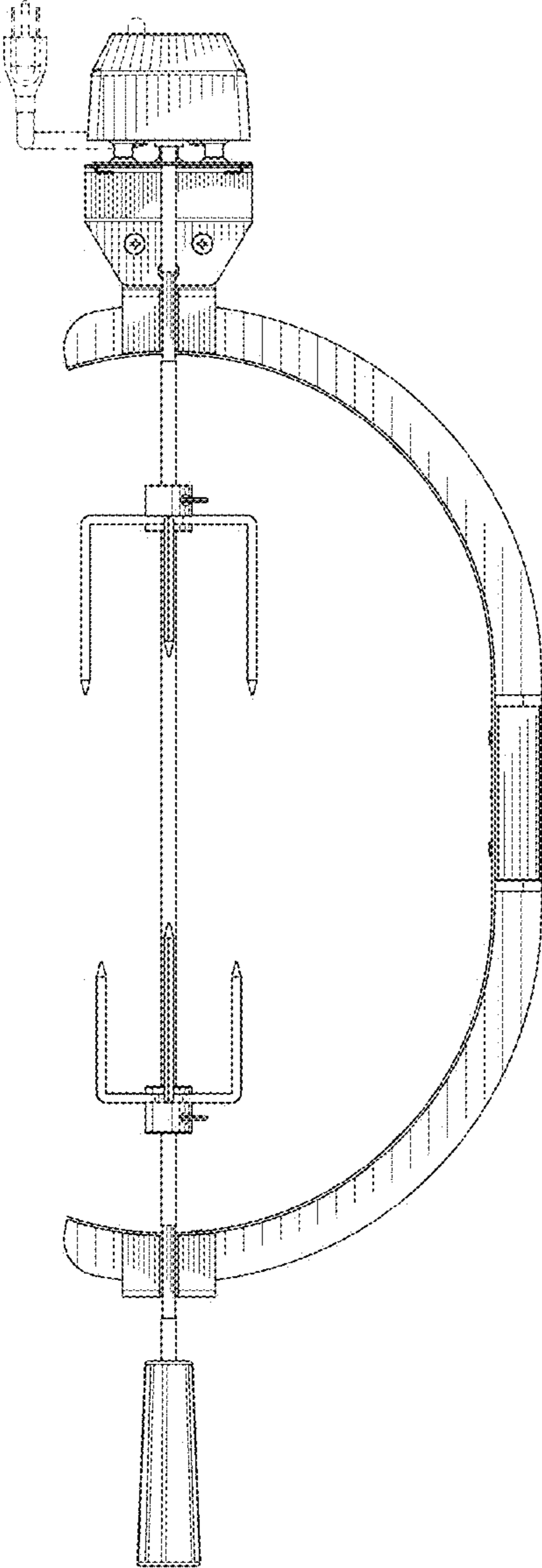


FIG. 6

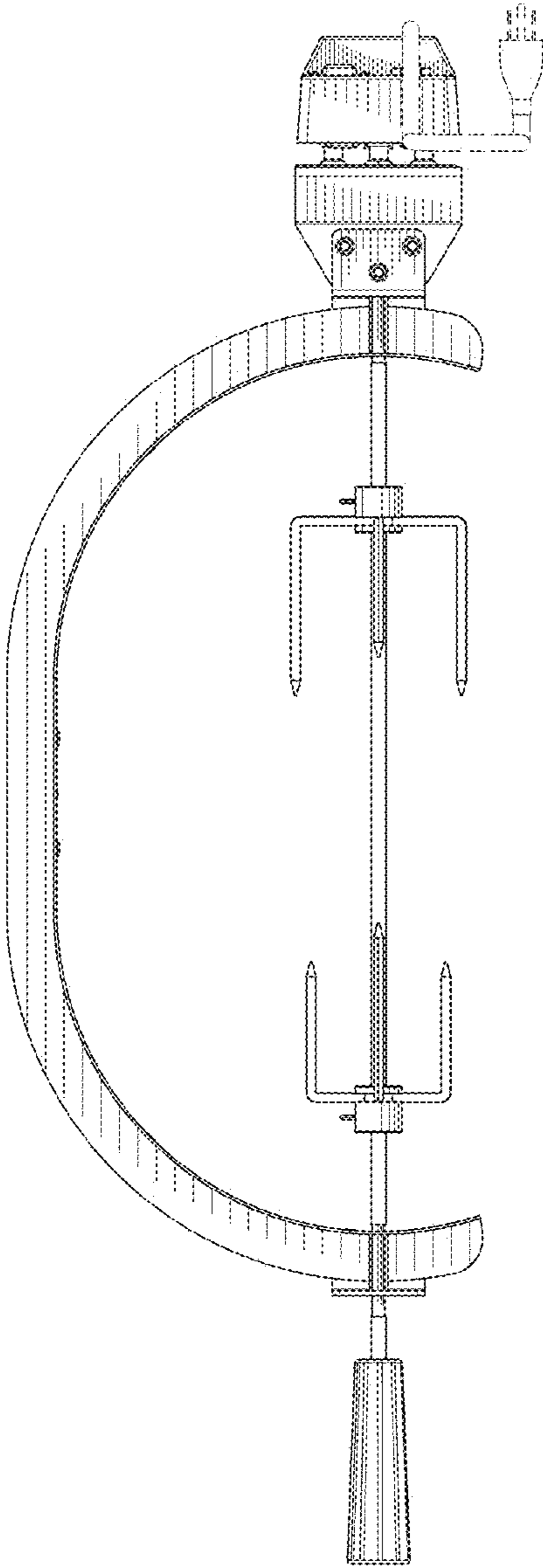


FIG. 7

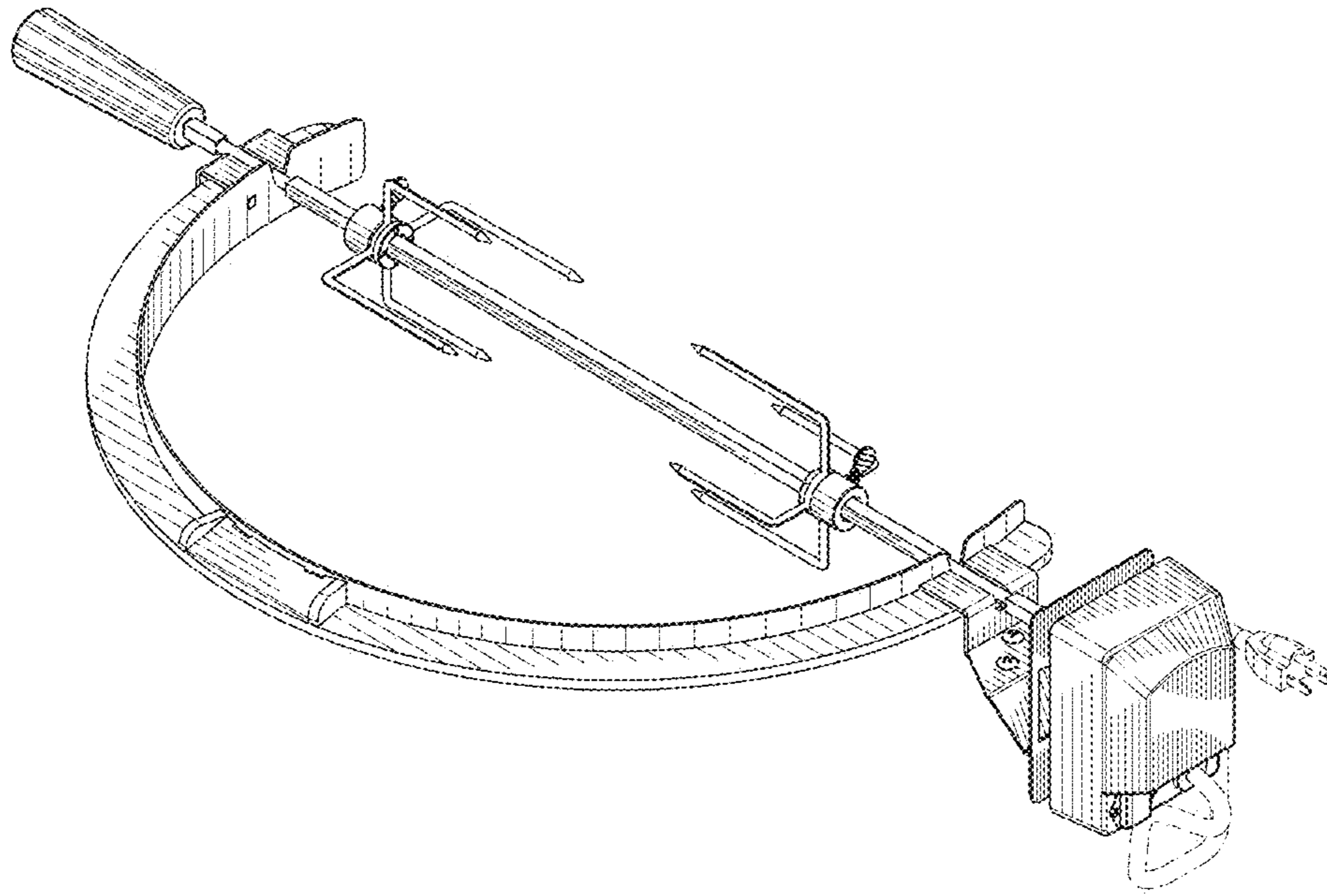


FIG. 8