



US00D984206S

(12) **United States Design Patent** (10) **Patent No.:** **US D984,206 S**
Kim et al. (45) **Date of Patent:** **** Apr. 25, 2023**

(54) **WATER CONTAINER FOR DRIP COFFEE MACHINE**

(71) Applicant: **LG ELECTRONICS INC.**, Seoul (KR)

(72) Inventors: **Byeongkook Kim**, Seoul (KR); **Woonkyu Seo**, Seoul (KR); **Hanjin Jung**, Seoul (KR); **Hyun Choi**, Seoul (KR)

(73) Assignee: **LG ELECTRONICS INC.**, Seoul (KR)

(**) Term: **15 Years**

(21) Appl. No.: **29/798,328**

(22) Filed: **Jul. 7, 2021**

(30) **Foreign Application Priority Data**

Jan. 12, 2021 (KR) 30-2021-0001572

(51) **LOC (14) Cl.** **07-06**

(52) **U.S. Cl.**
USPC **D7/399**

(58) **Field of Classification Search**
USPC D7/306, 312, 313, 323, 387, 397, 398, D7/399, 400, 401; D9/428, 741; D23/209
CPC A47G 23/0216; A47G 19/2227; A47G 19/12; A47G 19/14; A47J 31/0573; A47J 31/02; A47J 31/50; A47J 31/057; A47J 31/42; A47J 31/4439; A47J 31/06; A47J 31/0621; A47J 31/106; B65D 85/8061; B65D 81/3876

See application file for complete search history.

(56) **References Cited**

U.S. PATENT DOCUMENTS

D516,393 S * 3/2006 Wickenhauser D7/701
D611,298 S * 3/2010 Freeman D23/209

D778,669 S * 2/2017 Kestenbaum D7/399
D795,628 S * 8/2017 Roberts D7/313
D796,243 S * 9/2017 Roberts D7/313
D812,971 S * 3/2018 Moon D7/399
D819,398 S * 6/2018 Kestenbaum D7/399
D835,460 S * 12/2018 Büttler D7/399
D852,578 S * 7/2019 Büttler D7/399
D853,186 S * 7/2019 Gebhardt D7/399
D855,370 S * 8/2019 Torgersen D7/312
D856,129 S * 8/2019 Torgersen D9/414
D864,661 S * 10/2019 Büttler D7/399
D865,443 S * 11/2019 Büttler D7/397
D884,421 S * 5/2020 Kestenbaum D7/399
D953,799 S * 6/2022 Guleria D7/397

(Continued)

Primary Examiner — Joseph Kukella

Assistant Examiner — Darryl J Dardenne

(74) *Attorney, Agent, or Firm* — Birch, Stewart, Kolasch & Birch, LLP

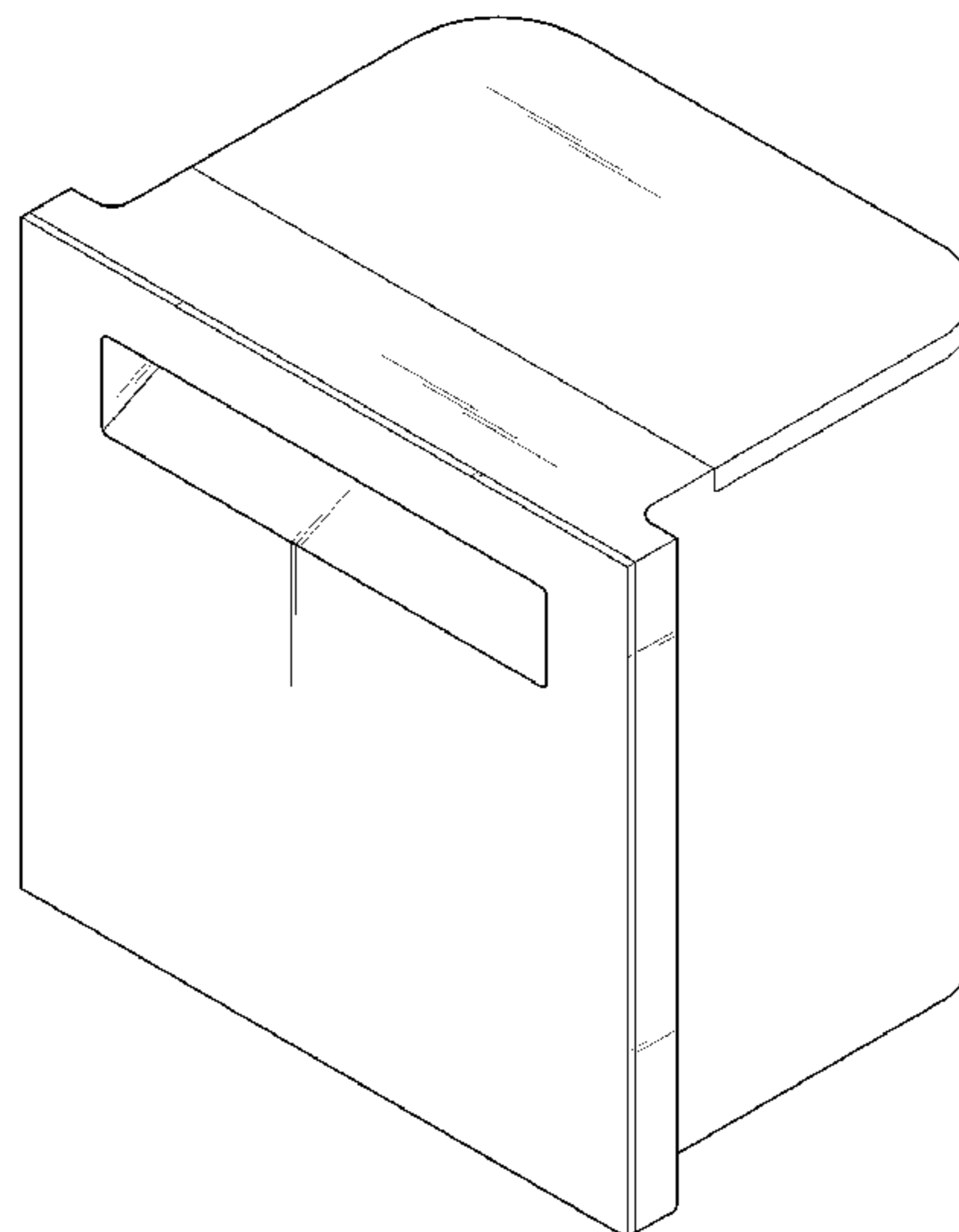
(57) **CLAIM**

We claim the ornamental design for a water container for drip coffee machine, as shown and described.

DESCRIPTION

FIG. 1 is a front perspective view of a water container for drip coffee machine showing a new design; FIG. 2 is a bottom perspective view thereof; FIG. 3 is a front view thereof; FIG. 4 is a rear view thereof; FIG. 5 is a left-side elevation view thereof; FIG. 6 is a right-side elevation view thereof; FIG. 7 is a top plan view thereof; FIG. 8 is a bottom plan view thereof; and, FIG. 9 is a perspective view showing a state of use thereof. The broken lines in FIG. 9 are for environment purpose only and form no part of the claimed design.

1 Claim, 9 Drawing Sheets



(56)

References Cited

U.S. PATENT DOCUMENTS

D956,463 S *	7/2022	Kim	D7/311
D958,578 S *	7/2022	Nabeiro	D7/309
D960,625 S *	8/2022	Kim	D7/311
2005/0103201 A1 *	5/2005	Hsu	A47J 31/505 99/279

* cited by examiner

FIG. 1

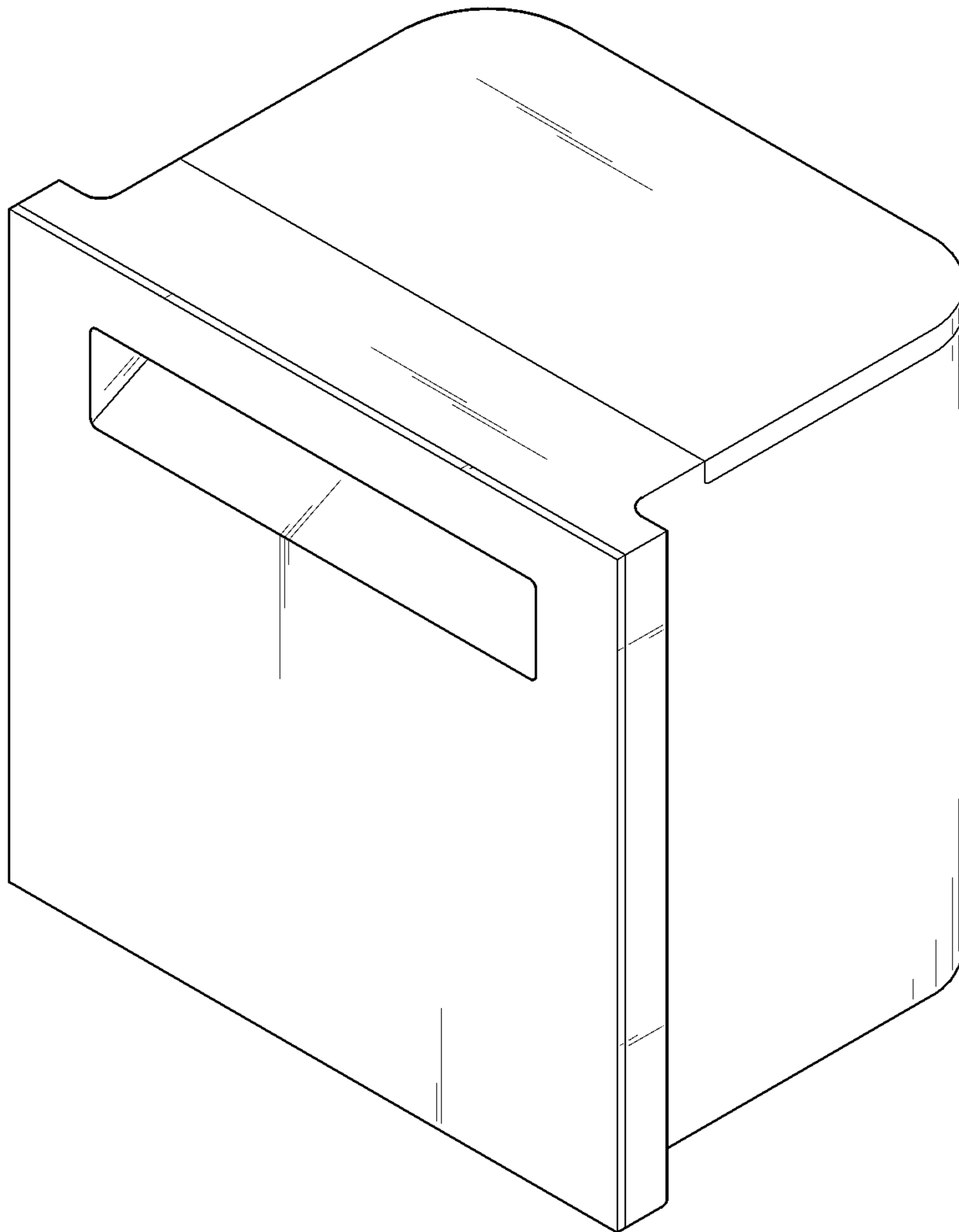


FIG. 2

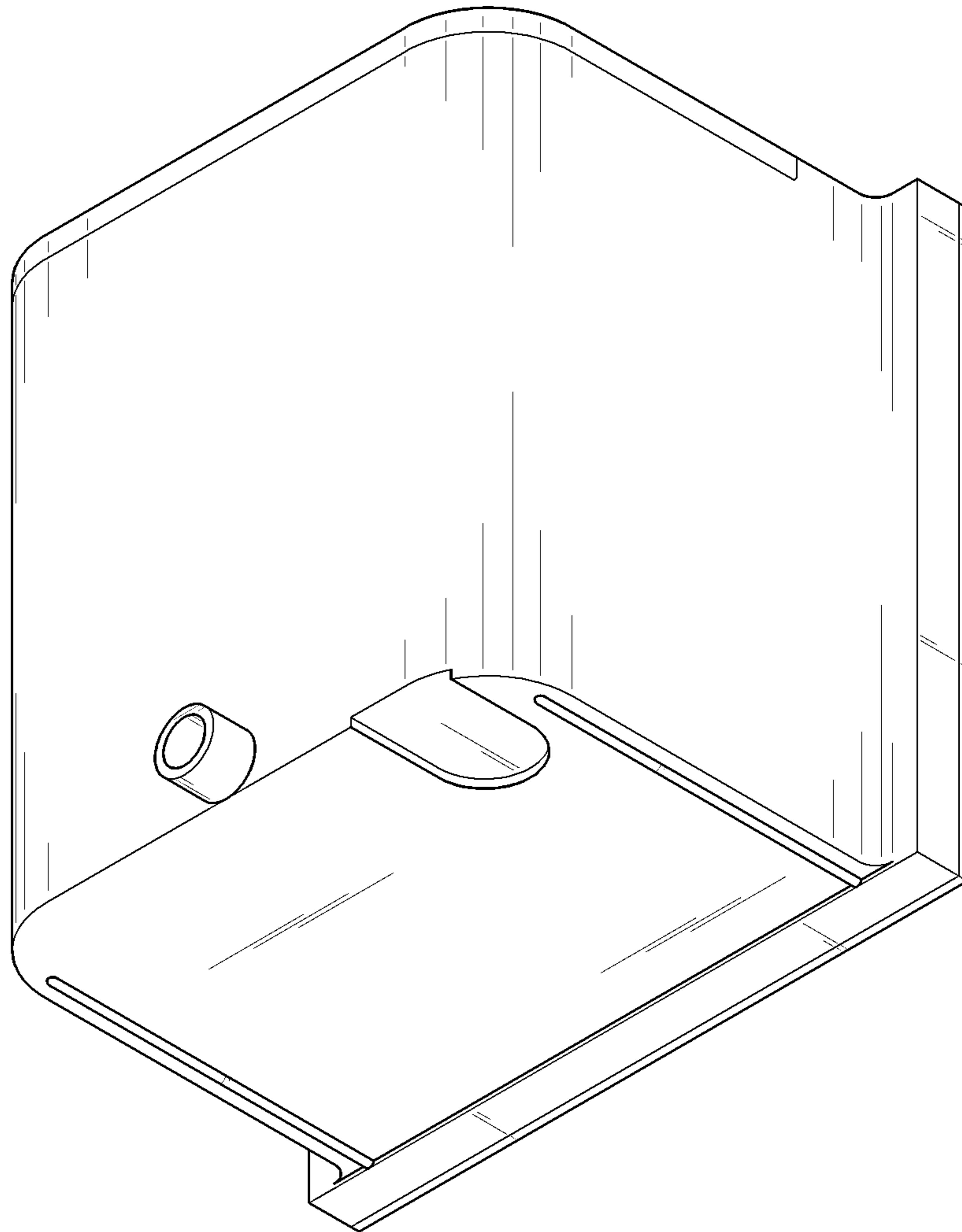


FIG. 3

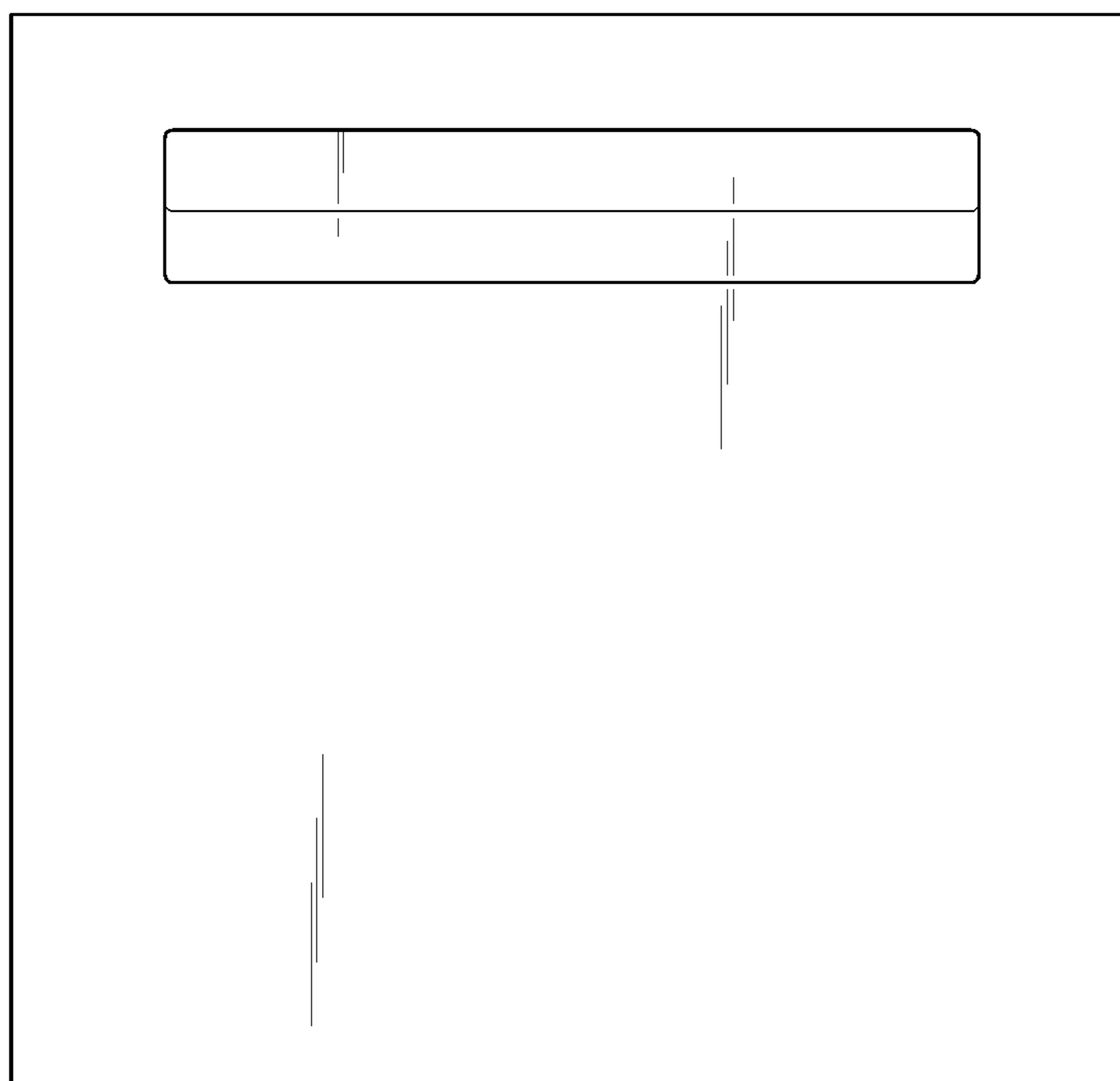


FIG. 4

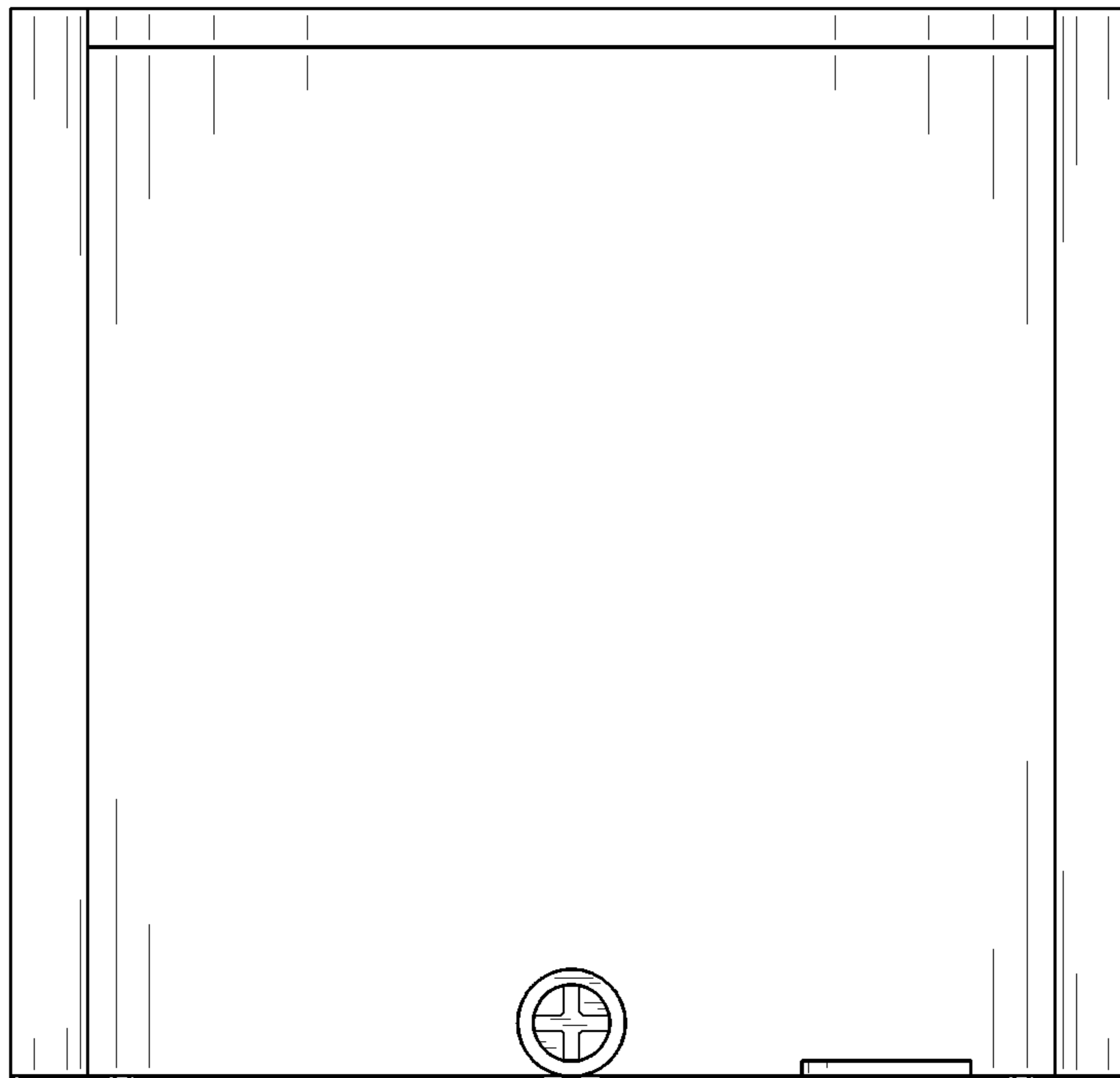


FIG. 5

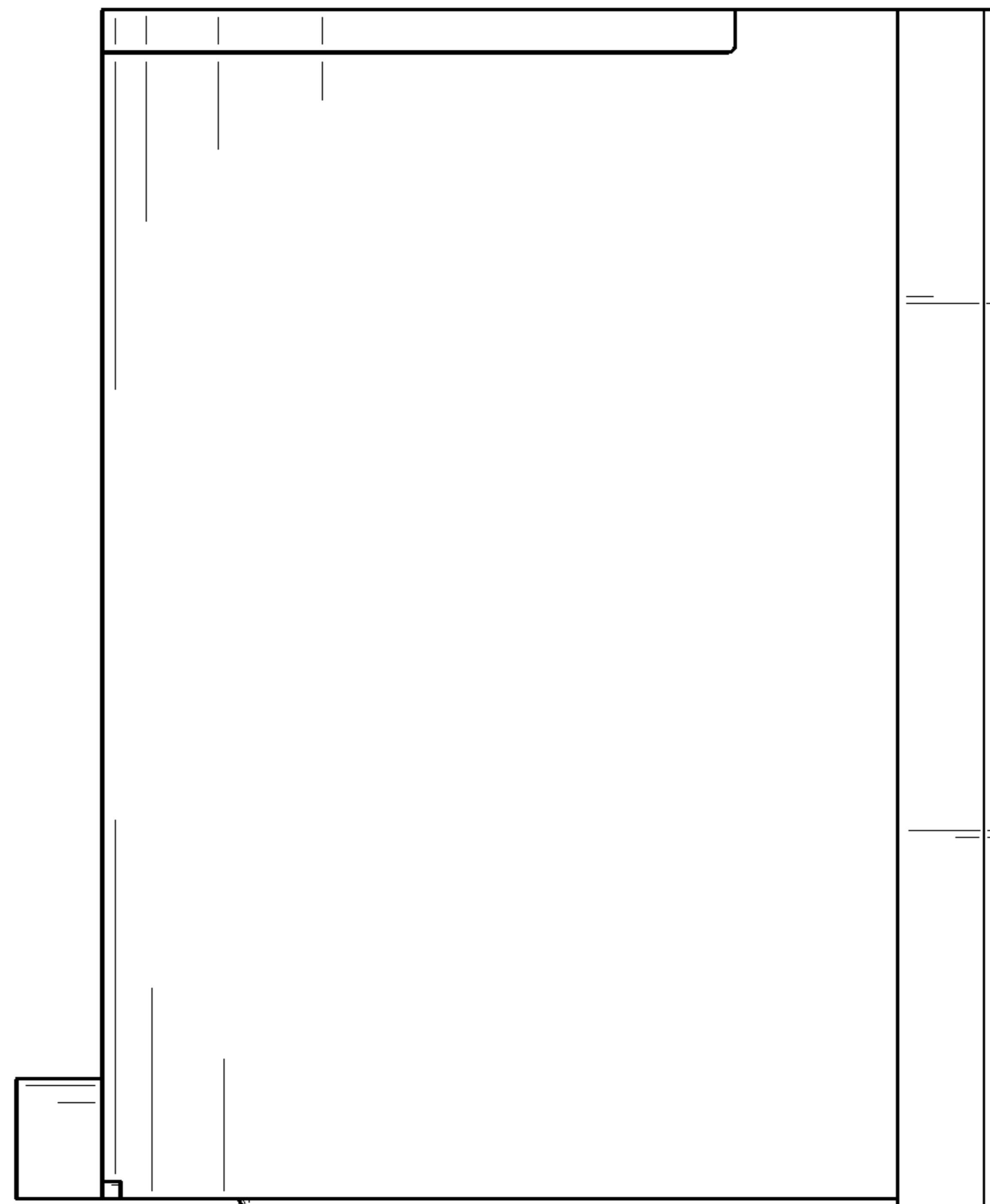


FIG. 6

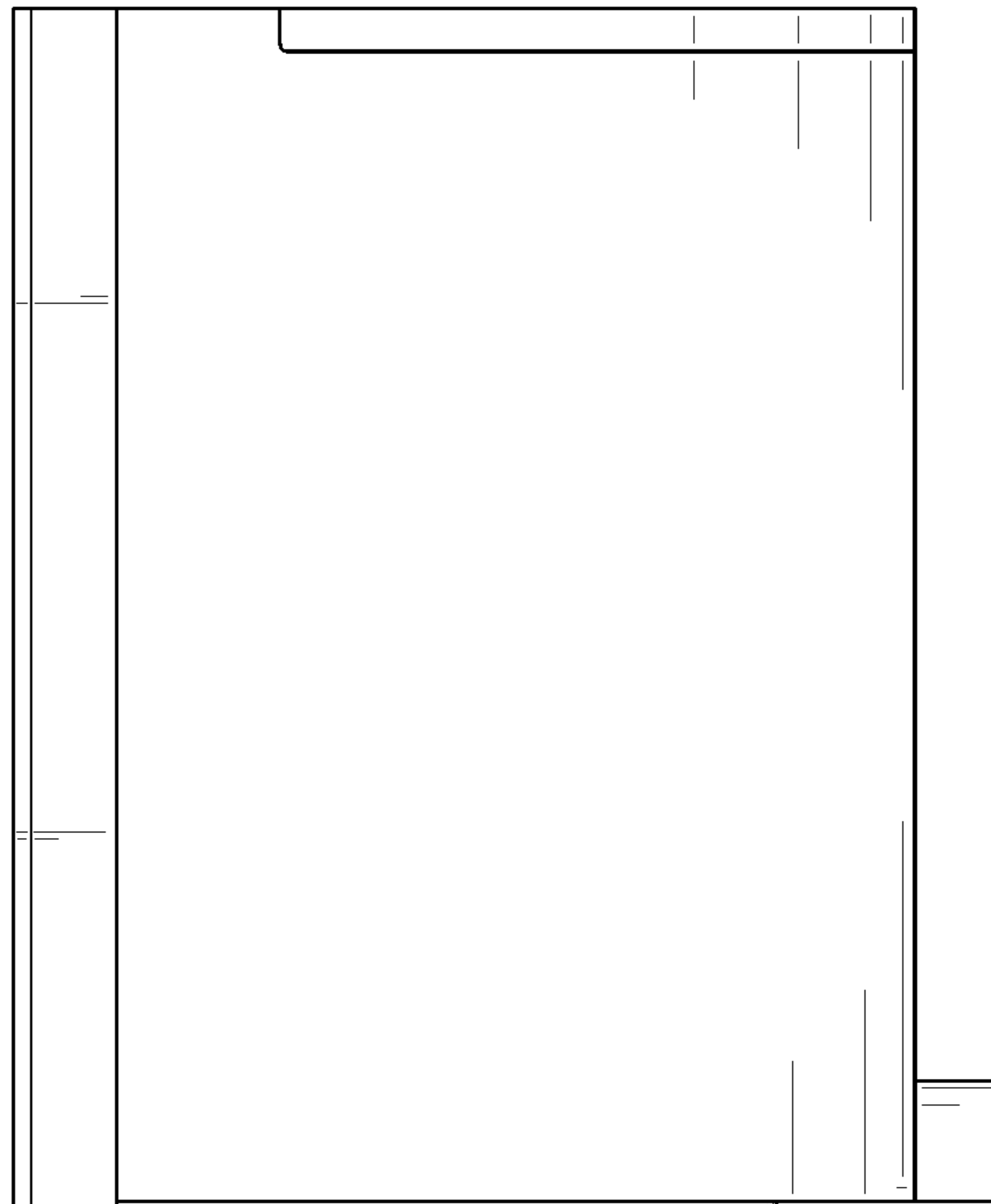


FIG. 7

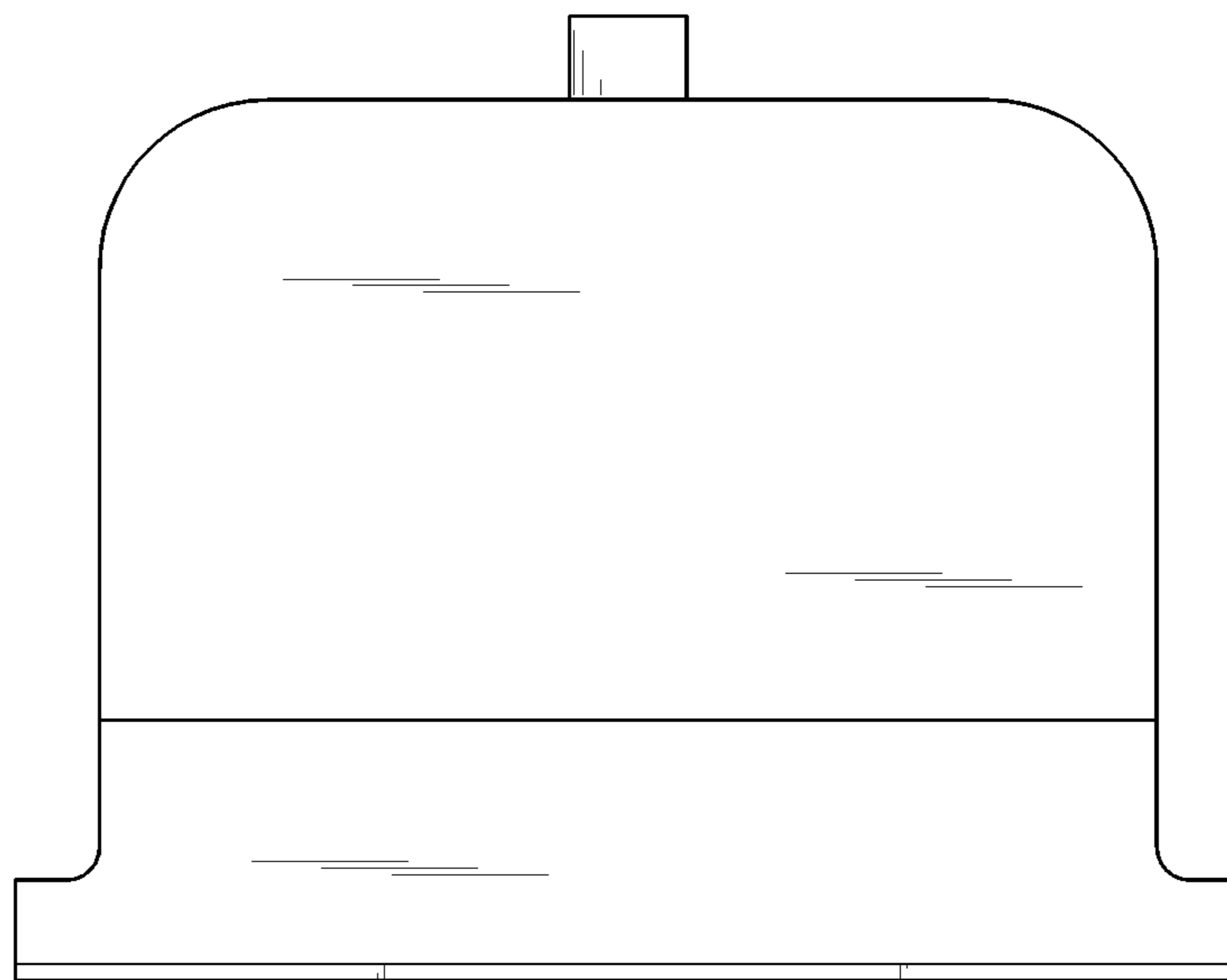


FIG. 8

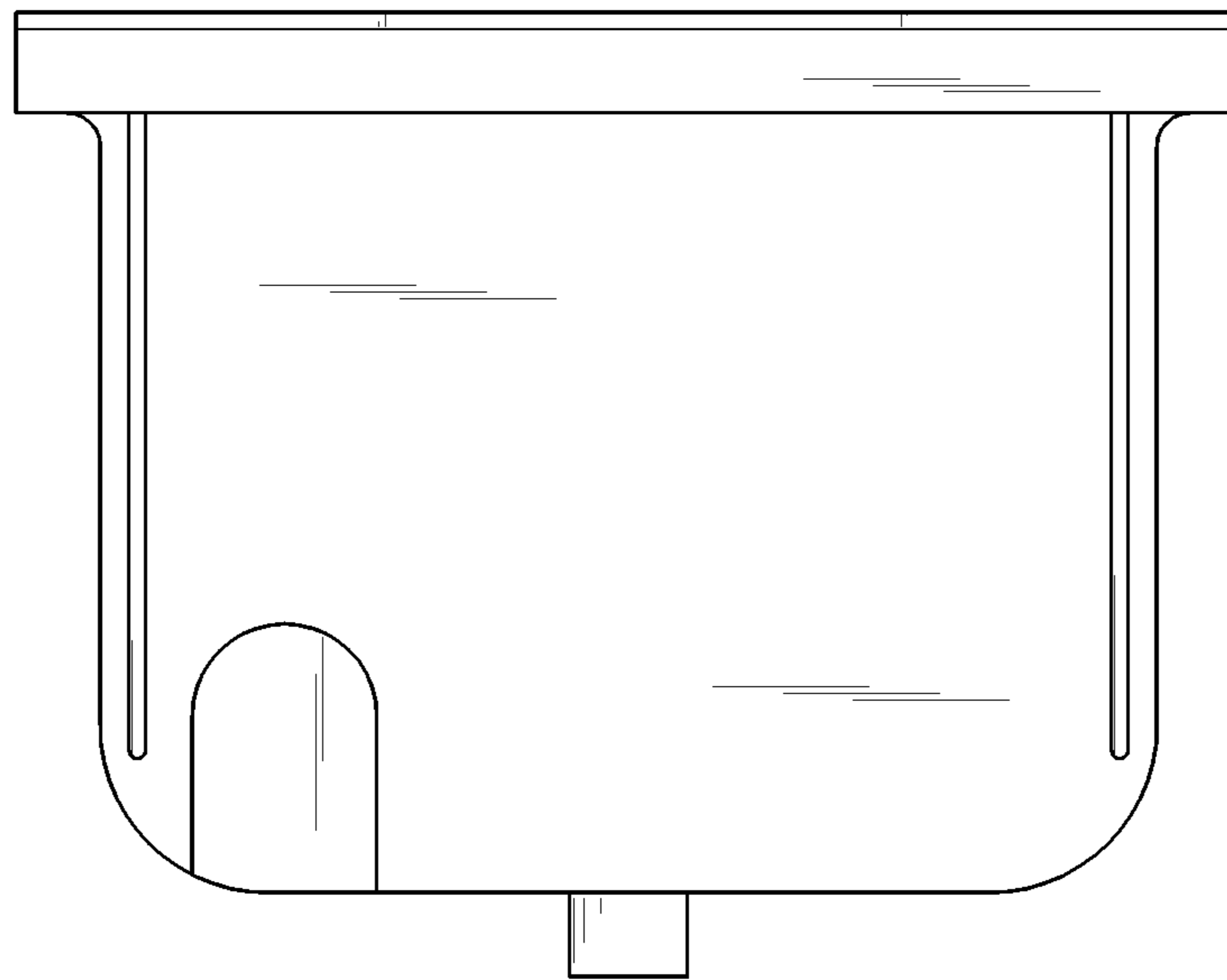


FIG. 9

