



US00D984204S

(12) **United States Design Patent**
Inyang et al.

(10) **Patent No.:** **US D984,204 S**
(45) **Date of Patent:** **** Apr. 25, 2023**

(54) **LID FOR A BEVERAGE CONTAINER**

(71) Applicant: **Factory Enova, LLC**, Fountain Valley, CA (US)

(72) Inventors: **Seth Imo Inyang**, Anaheim, CA (US);
Vinh Lieu, Fountain Valley, CA (US);
Feifei Wang, Tongkang (CN)

(73) Assignee: **Factory Enova, LLC**, Fountain Valley, CA (US)

(**) Term: **15 Years**

(21) Appl. No.: **29/835,803**

(22) Filed: **Apr. 21, 2022**

(51) **LOC (14) Cl.** **07-99**

(52) **U.S. Cl.**
USPC **D7/392.1**

(58) **Field of Classification Search**
USPC D7/387, 391, 392.1, 396.1, 396.2, 396.6,
D7/388, 402, 403; D9/434, 435, 436,
D9/438, 439, 440, 442, 443, 445, 446,
D9/449, 452, 453, 454, 455, 456;
D3/201, 273, 304, 315, 318, 319, 323;
D23/209, 258, 259, 260, 261; D24/127,
D24/162, 193, 194, 197, 199, 224, 227;
D34/10, 11; D6/518
CPC B25B 13/5008; B25B 15/008; B65D 1/02;
B65D 1/0233; B65D 1/08; B65D 1/10;
B65D 41/14; B65D 41/16; B65D
41/3428; B65D 55/16; B65D 43/169;
B65D 43/26; B65D 43/08; B65D
2543/00972; B65D 2525/285; B65D
2525/286; B65D 2525/287; B65D
2525/288; B65D 53/02;

(Continued)

(56) **References Cited**

U.S. PATENT DOCUMENTS

D720,218 S * 12/2014 Hutson D9/449
D872,522 S * 1/2020 Diener D9/449

(Continued)

OTHER PUBLICATIONS

Water Bottle: Site Visited (Sep. 24, 2022). Available from Internet
URL: https://www.factorye.life/listing/1276167073/personalized-name-initial-monogram-20oz.*

Primary Examiner — Catherine S Posthauer
(74) *Attorney, Agent, or Firm* — iPA & iPM

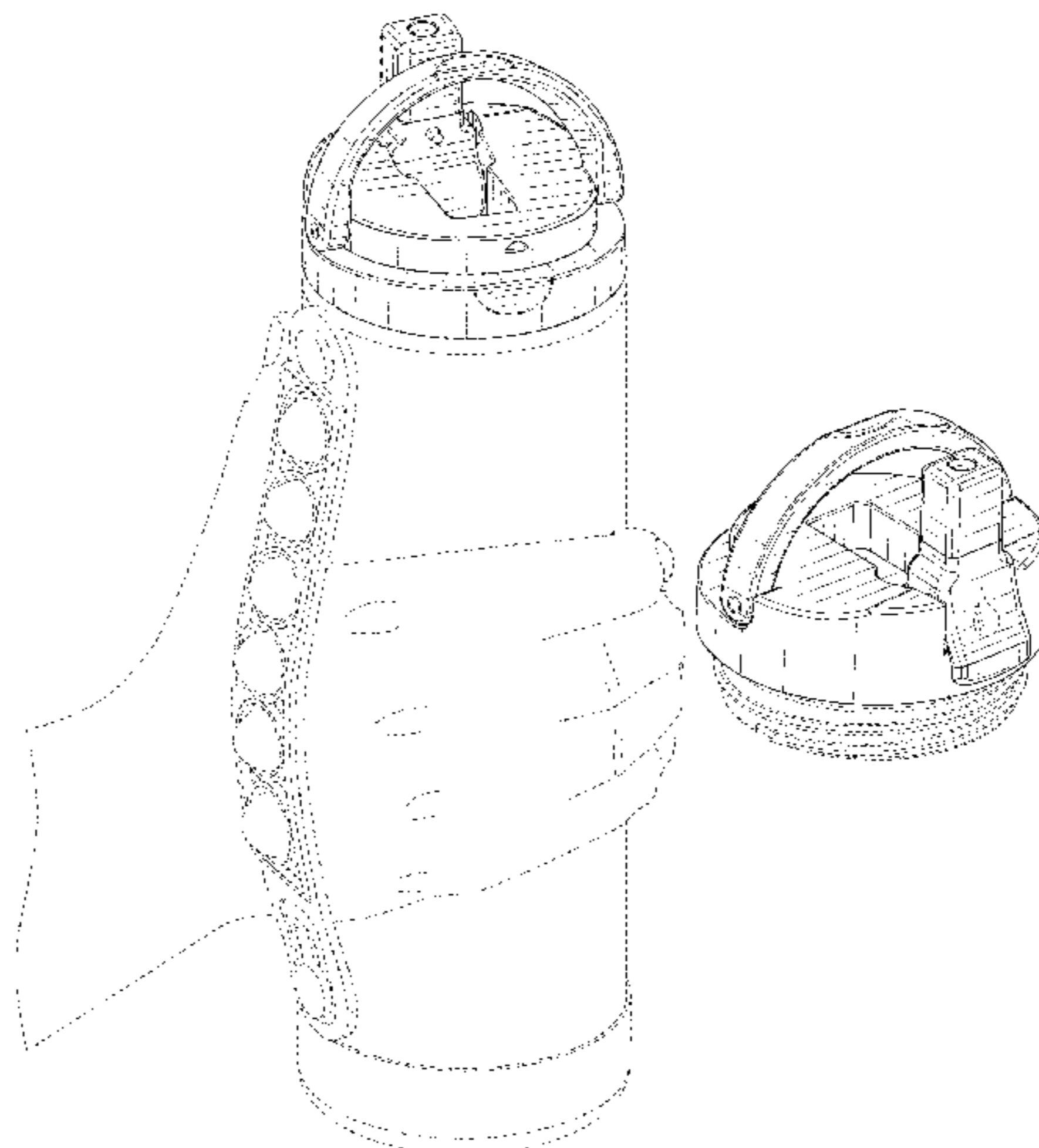
(57) **CLAIM**

The ornamental design for a lid for a beverage container, as shown and described.

DESCRIPTION

FIG. 1 is a perspective front view of a lid for beverage container, showing my new design, showing the strap and spout features in extended positions, and further showing the article in a position of use with an exemplary beverage container and a hand holding said container;
FIG. 2 is another perspective view thereof, shown independent of the exemplary beverage container to show aspects of the design not visible when combined;
FIG. 3 is a back view thereof;
FIG. 4 is a front view thereof;
FIG. 5 is a left side view thereof, which corresponds to a mirror image of a right side view thereof;
FIG. 6 is a top view thereof;
FIG. 7 is a bottom view thereof;
FIG. 8 is a back view thereof, with the strap and the spout both in resting positions;
FIG. 9 is a front view thereof;
FIG. 10 is left side view thereof, which corresponds to a mirror image of a right side view thereof;
FIG. 11 is a top view thereof; and,
FIG. 12 is a bottom view thereof.
The broken lines are shown for the purpose of illustrating both parts of the article as well as exemplary environmental subject matter. None of the broken lines form part of the claimed design.

1 Claim, 6 Drawing Sheets



(58) **Field of Classification Search**

CPC B65D 83/0805; B65D 75/5894; B65D
43/088; A47G 19/24; B67D 3/00

See application file for complete search history.

(56) **References Cited**

U.S. PATENT DOCUMENTS

D886,517 S * 6/2020 Bo D7/392.1
D894,672 S * 9/2020 Huang D9/450
D897,761 S * 10/2020 Zhang D9/450
D899,849 S * 10/2020 Zhang D9/449
D900,538 S * 11/2020 Yao D7/392.1
D900,539 S * 11/2020 Yao D7/392.1
D903,405 S * 12/2020 Zhang D7/392.1
D906,042 S * 12/2020 Chen D9/450
D911,100 S * 2/2021 Chen D9/450
D917,956 S * 5/2021 Yao D9/516
D917,959 S * 5/2021 Yao D9/516
D917,960 S * 5/2021 Yao D9/516
D923,395 S * 6/2021 Xie D7/392.1
D924,000 S * 7/2021 Chen D7/392.1
D930,427 S * 9/2021 Ayres D7/392.1
D935,264 S * 11/2021 Kutlug D7/392.1
D938,778 S * 12/2021 Ge D9/450
D940,501 S * 1/2022 Burga D7/392.1
D947,597 S * 4/2022 Shi D7/392.1
D948,933 S * 4/2022 Steenari D7/396.2
D951,011 S * 5/2022 Zhang D7/392.1
D955,810 S * 6/2022 Ni D7/392.1
D957,875 S * 7/2022 Chen D7/392.1
D960,637 S * 8/2022 Zhang D7/391

* cited by examiner

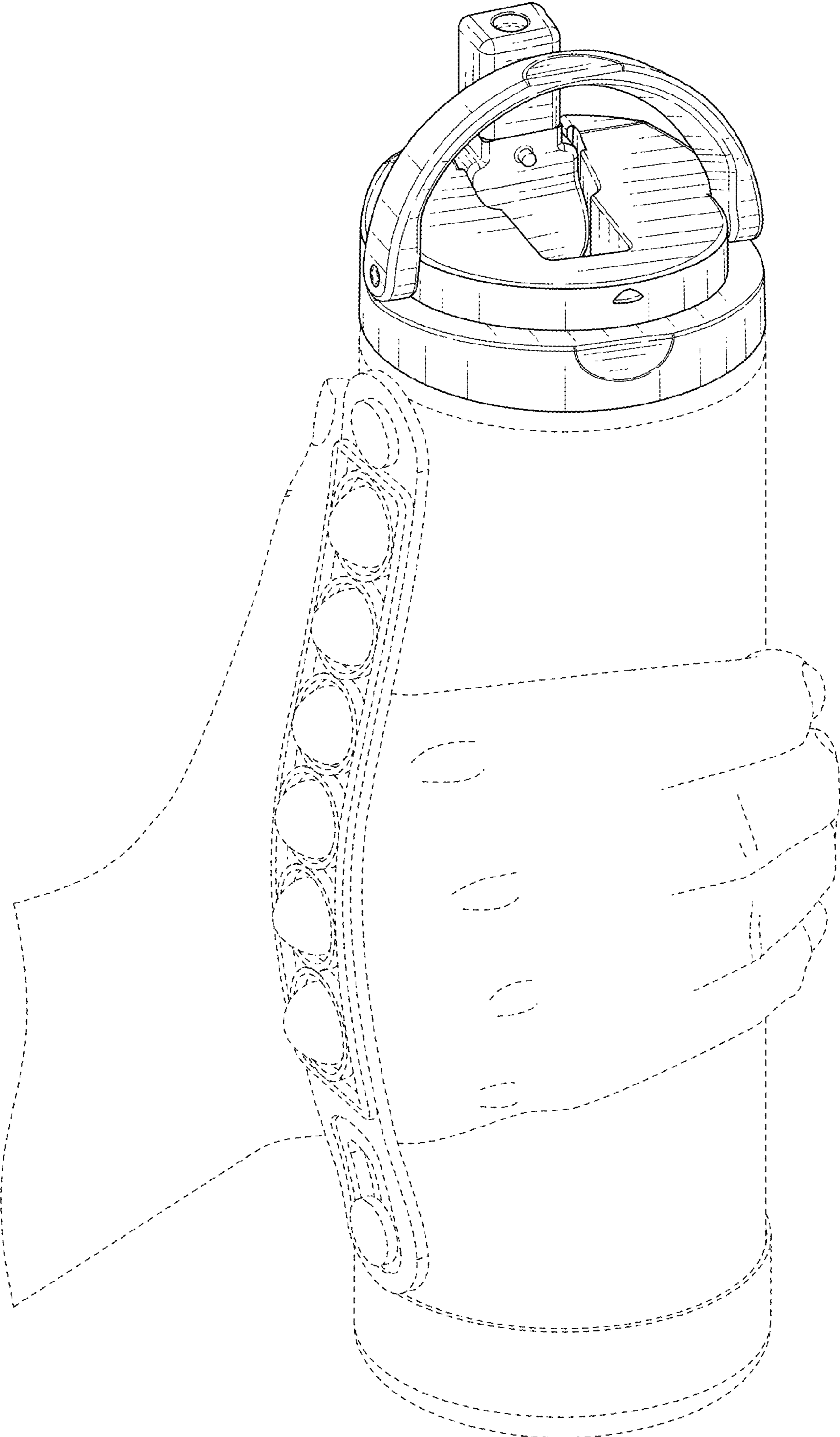


FIG. 1

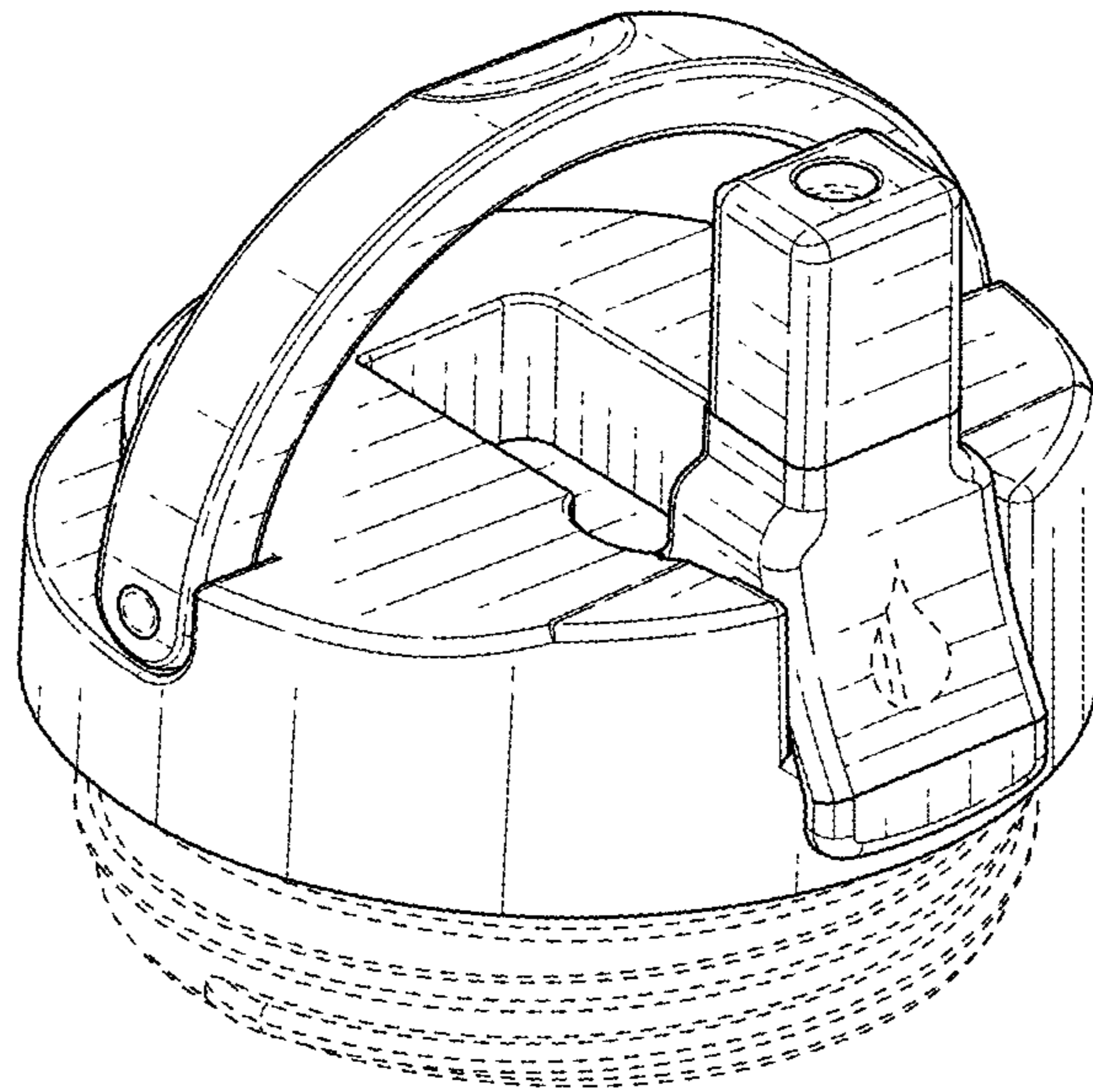


FIG. 2

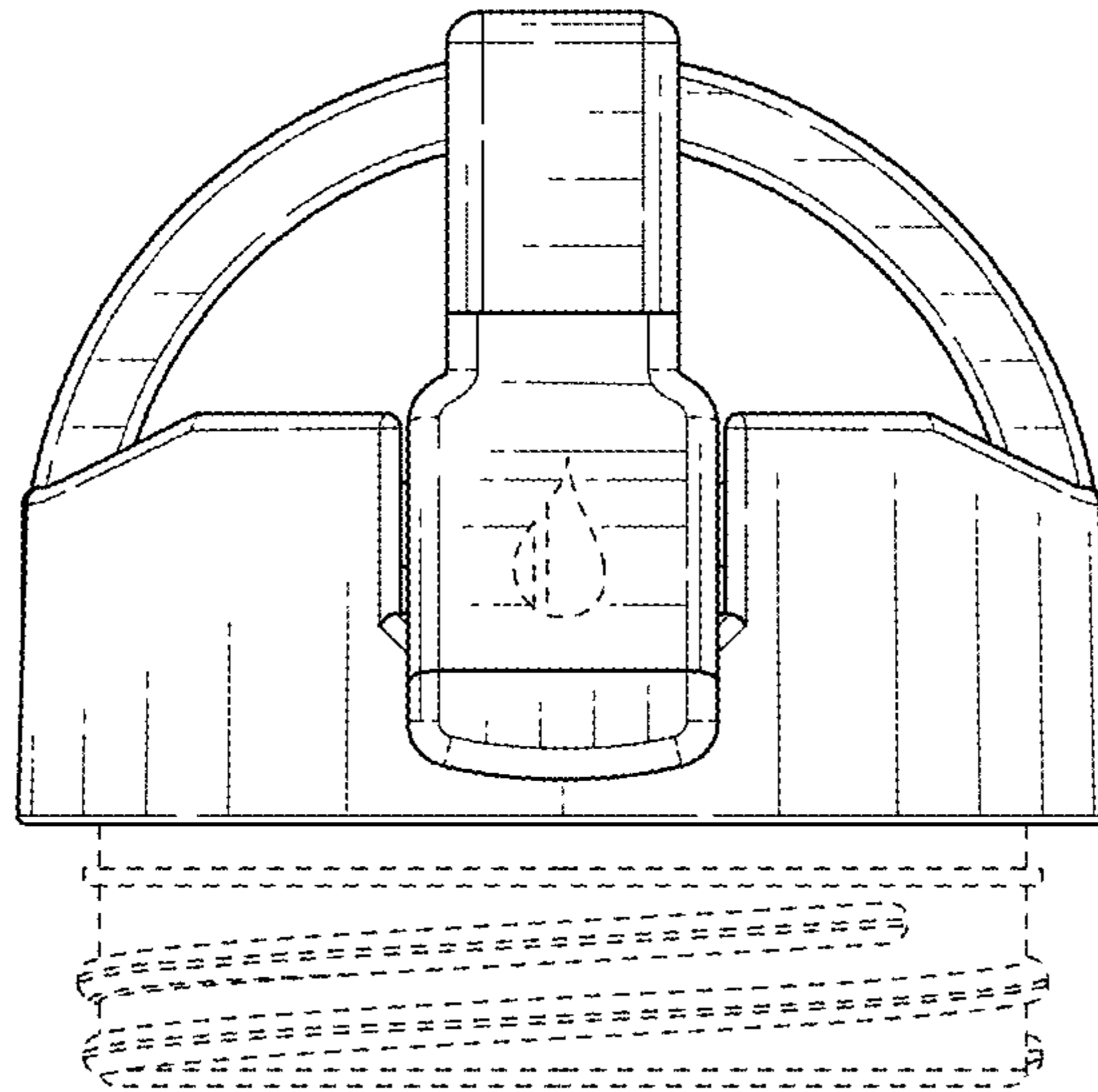


FIG. 3

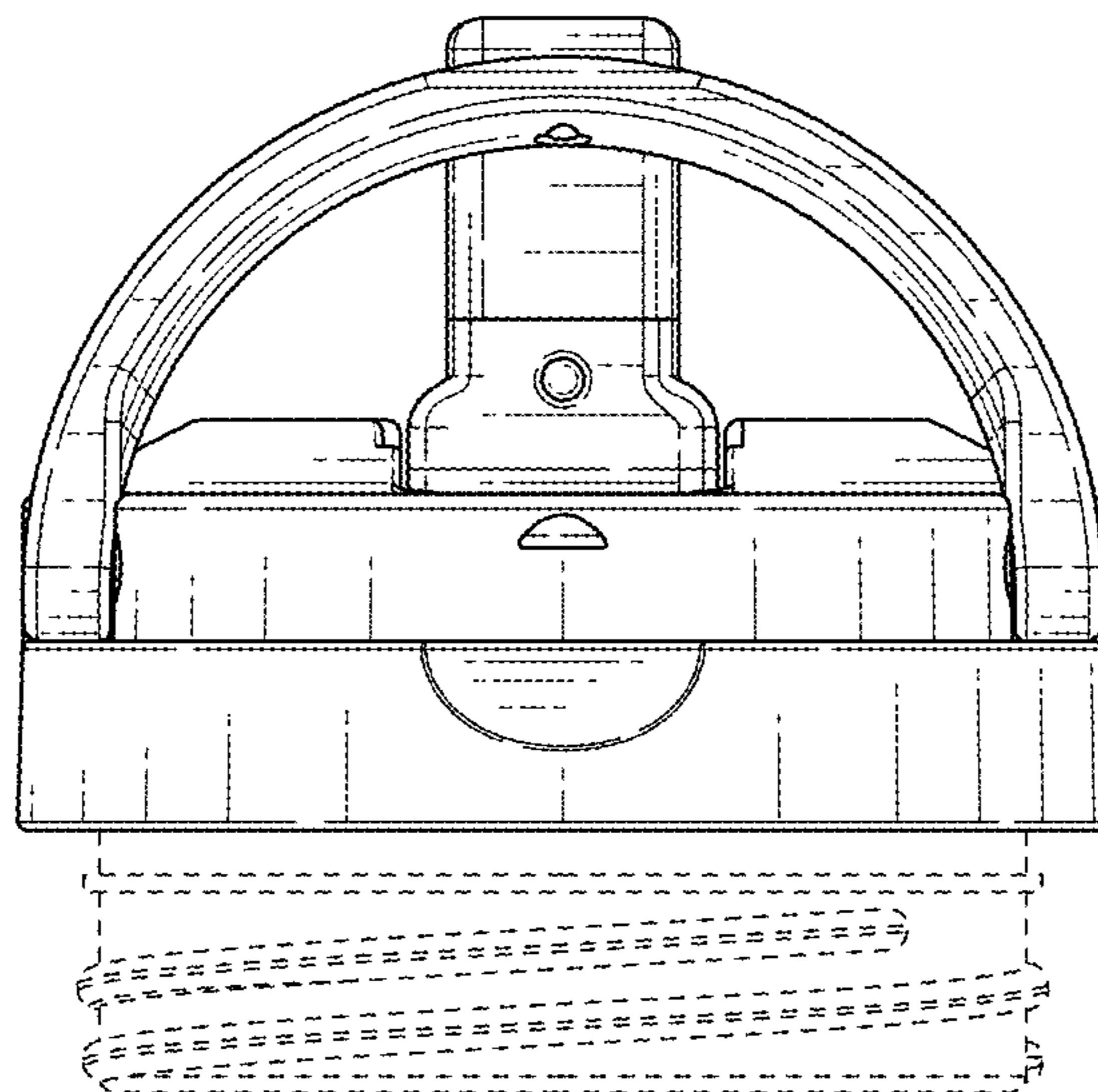


FIG. 4

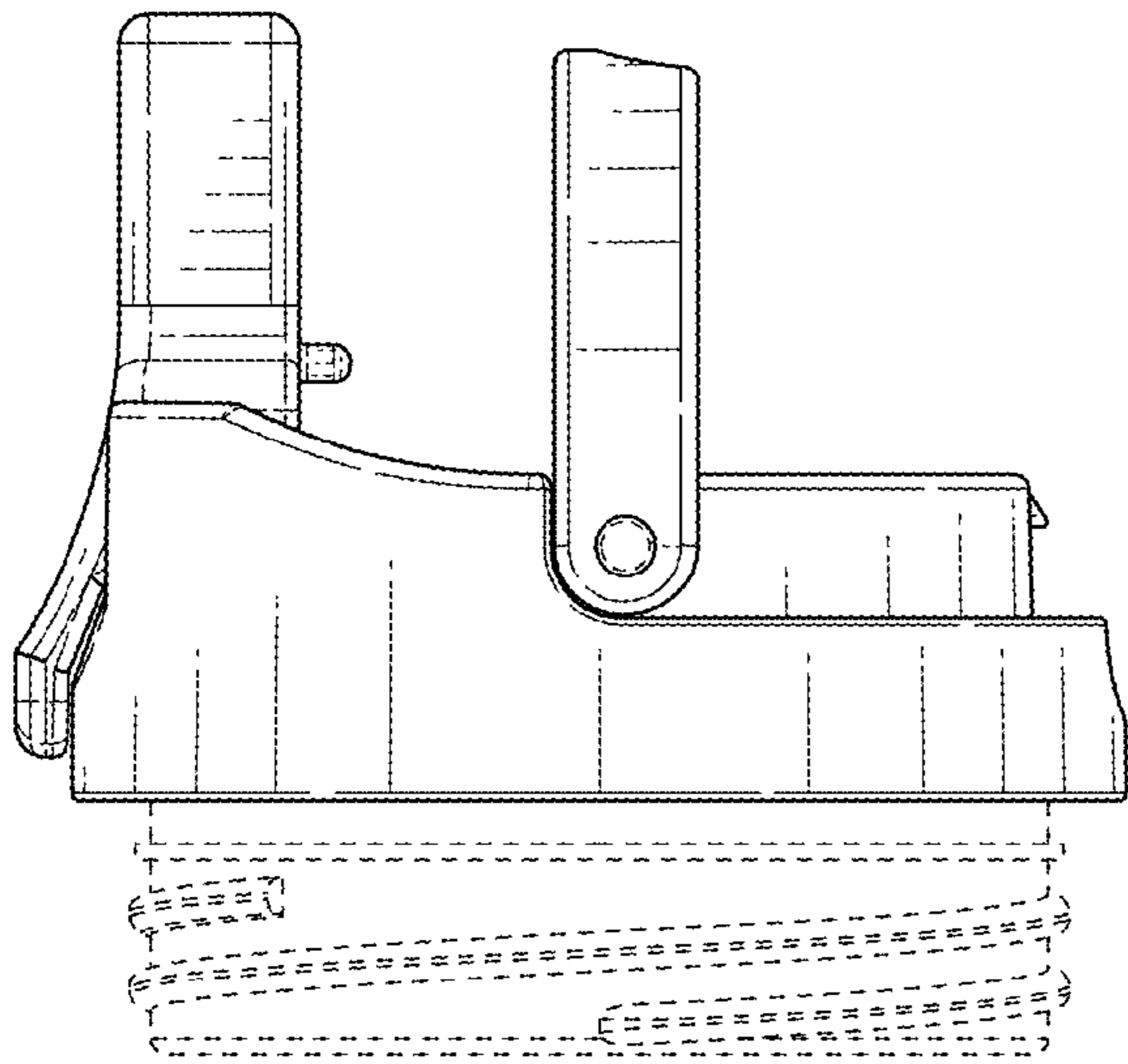


FIG. 5

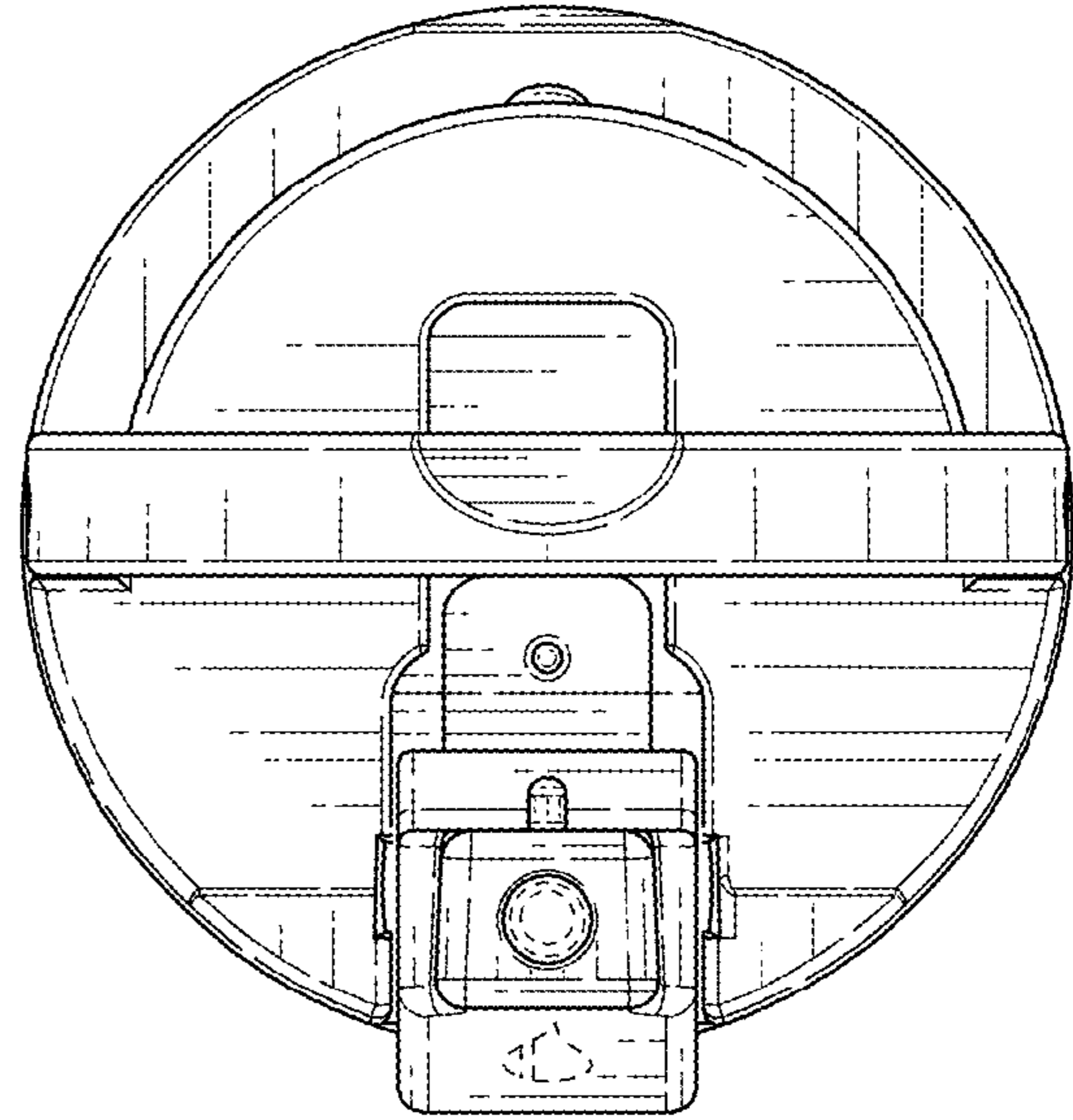


FIG. 6

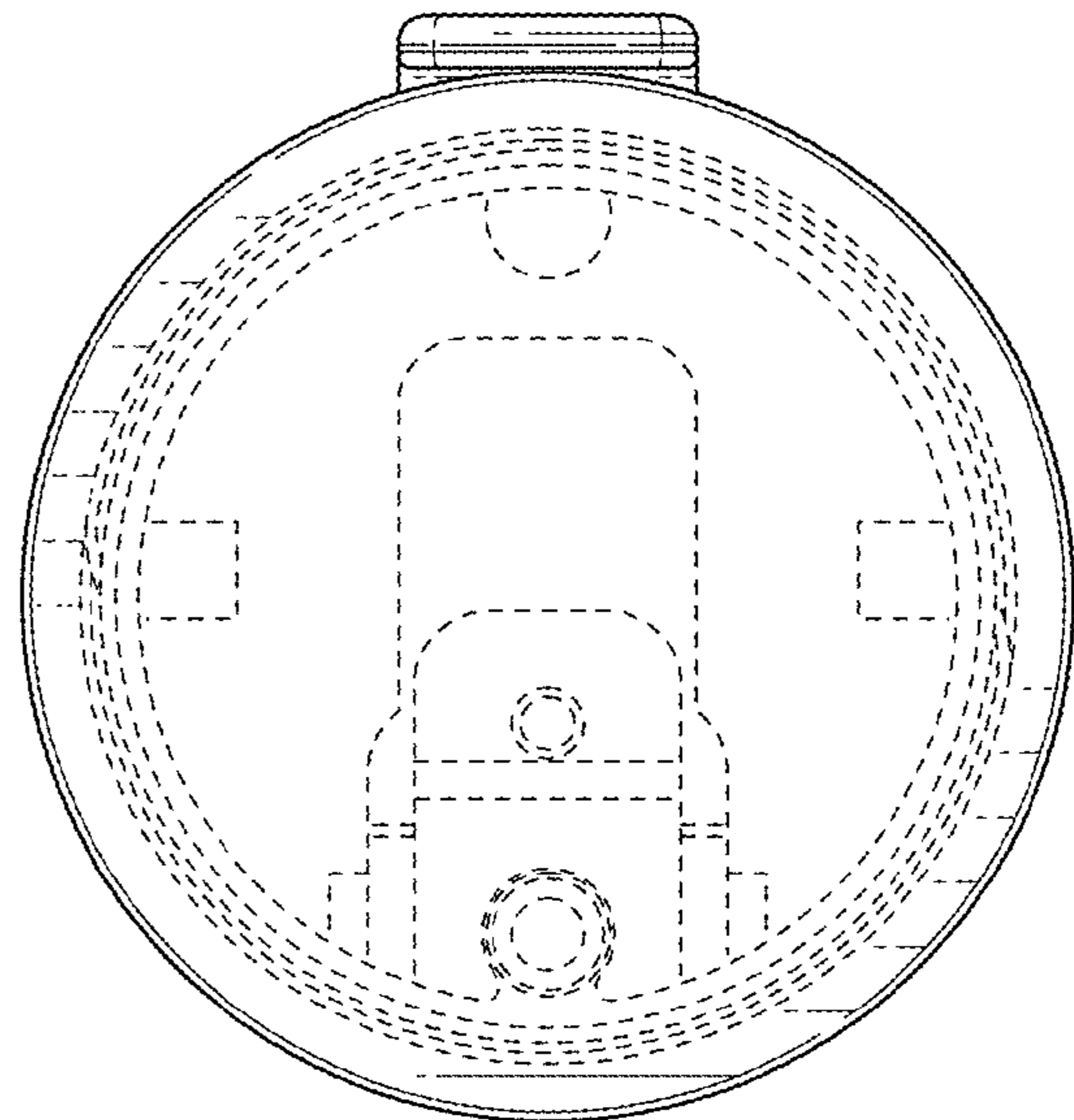


FIG. 7

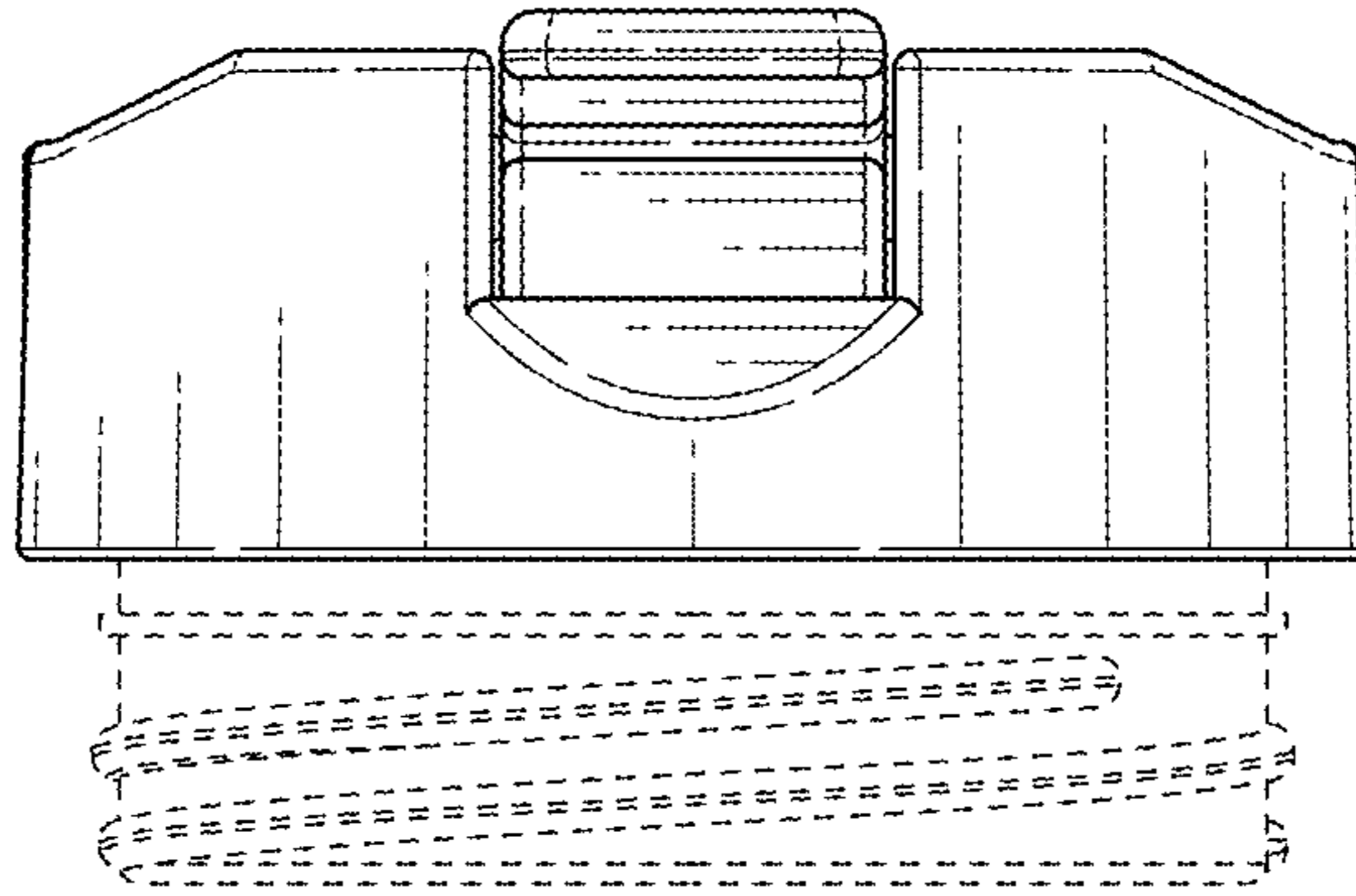


FIG. 8

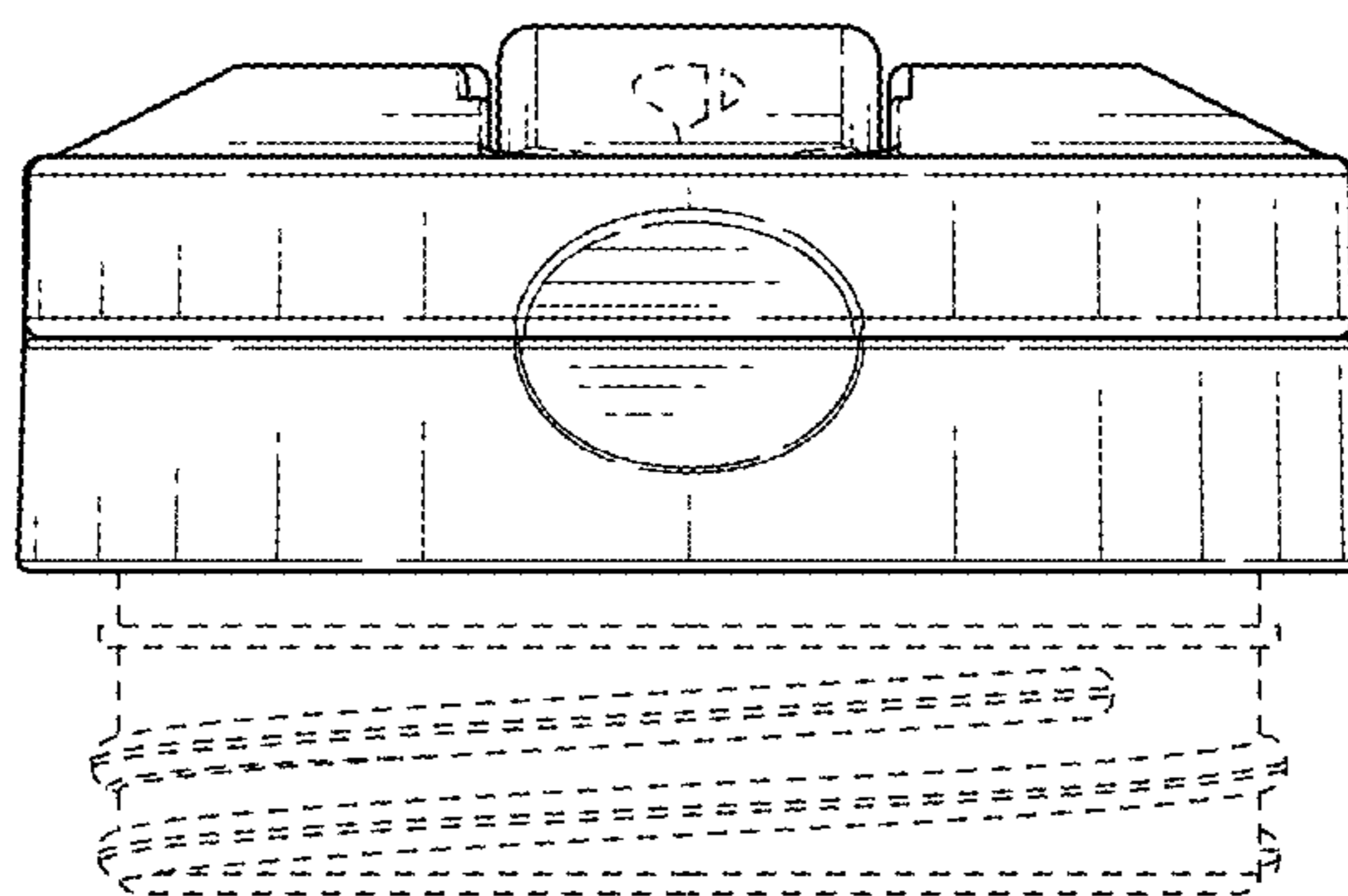


FIG. 9

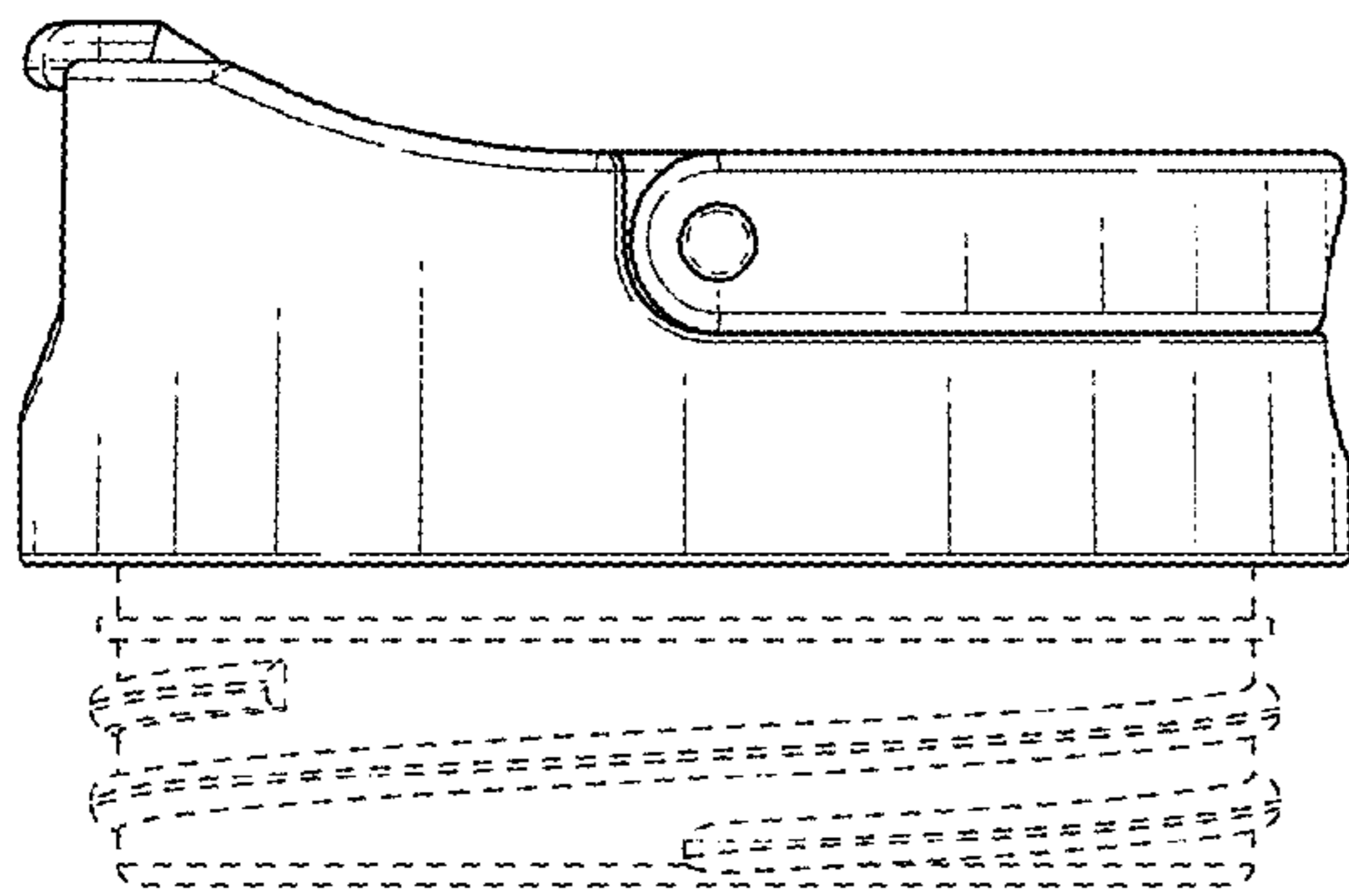


FIG. 10

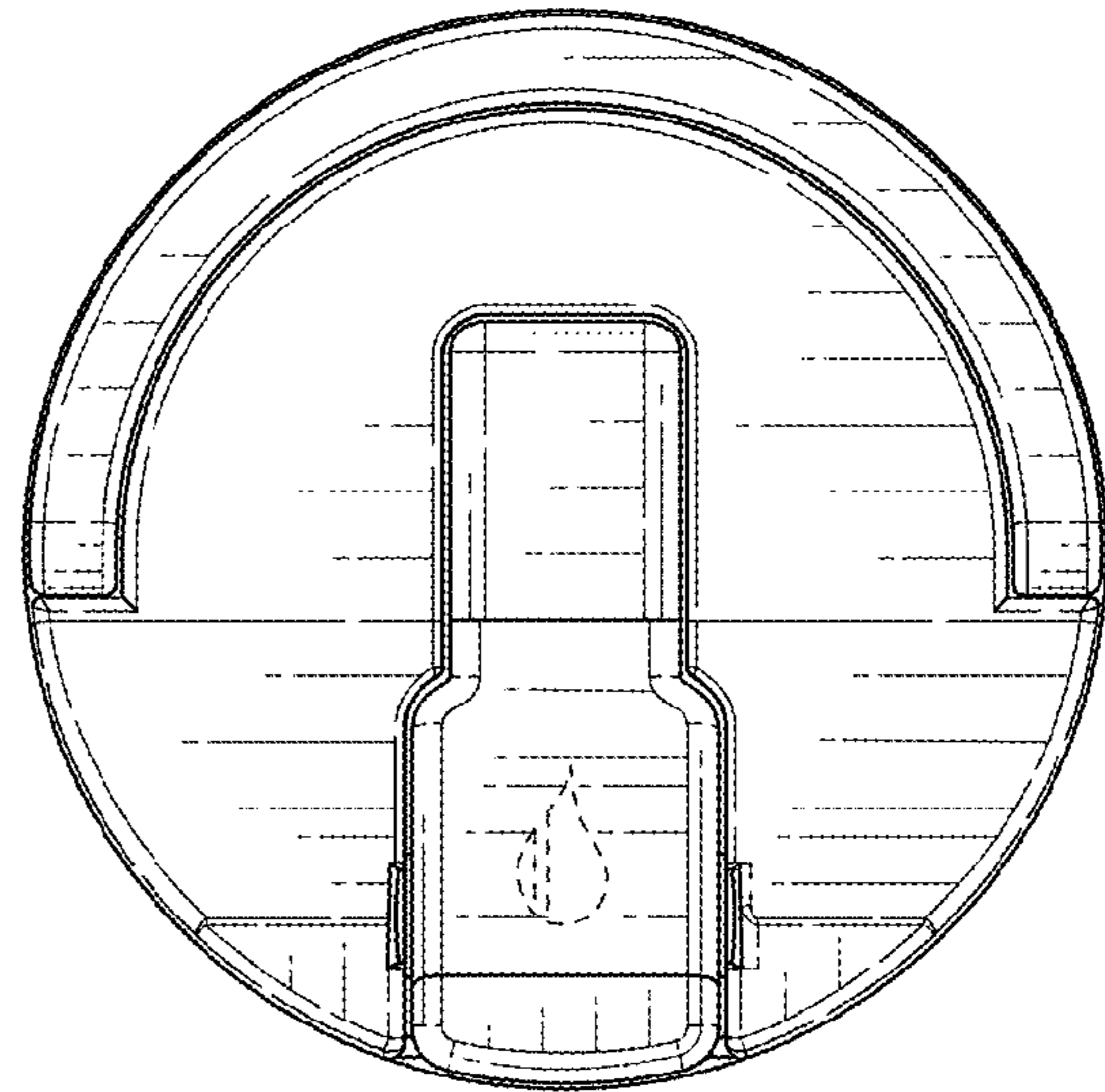


FIG. 11

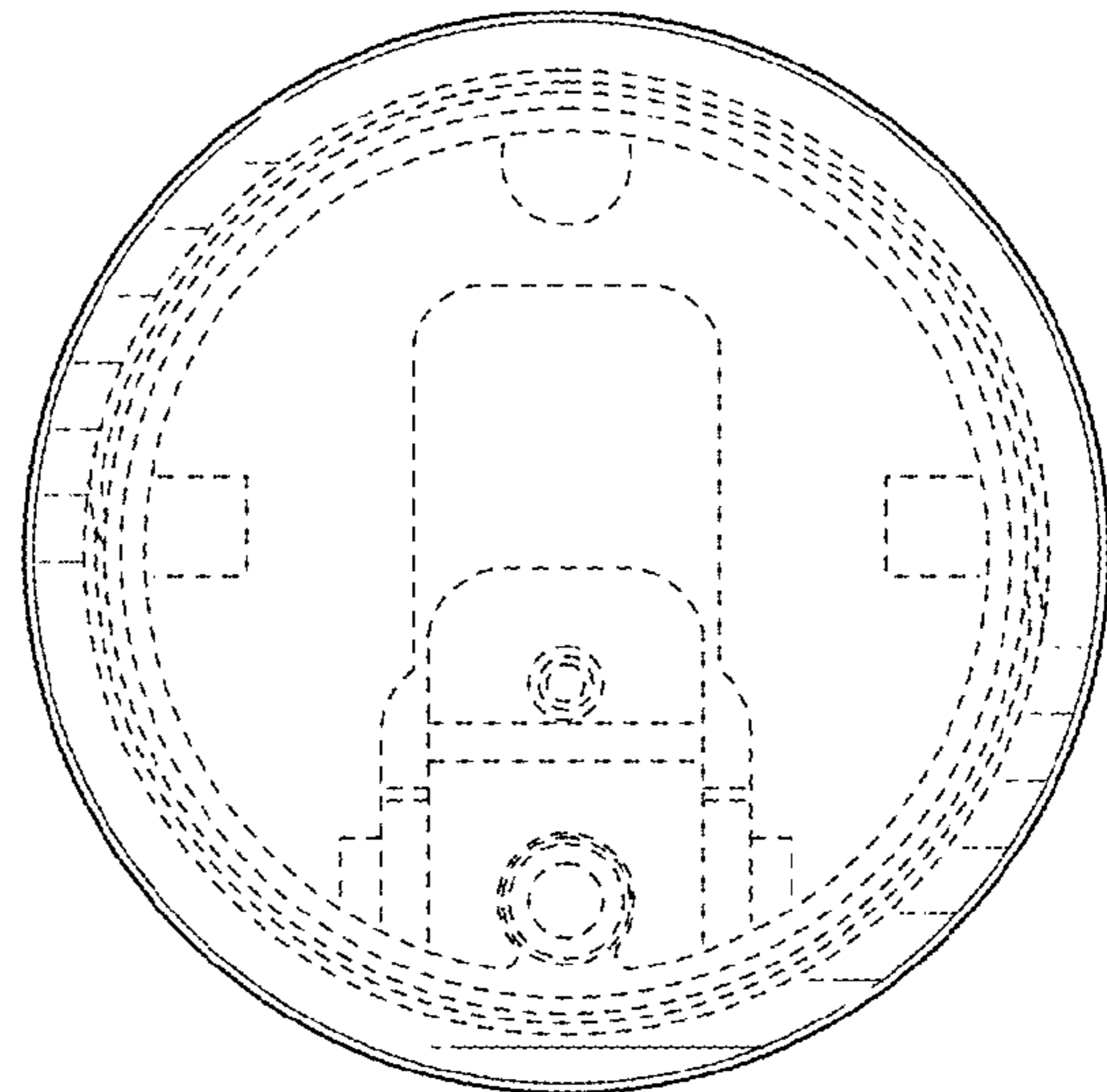


FIG. 12