



US00D984203S

(12) **United States Design Patent**  
**Shang**

(10) **Patent No.:** **US D984,203 S**

(45) **Date of Patent:** **\*\* Apr. 25, 2023**

(54) **BOTTLE CAP**

(71) Applicant: **Lamei Shang**, Shanxi (CN)

(72) Inventor: **Lamei Shang**, Shanxi (CN)

(73) Assignee: **Shenzhen Mlife Household Products Co., Ltd**, Shenzhen (CN)

(\*\*) Term: **15 Years**

(21) Appl. No.: **29/776,565**

(22) Filed: **Mar. 31, 2021**

(51) **LOC (14) Cl.** ..... **07-02**

(52) **U.S. Cl.**  
USPC ..... **D7/392.1; D9/449**

(58) **Field of Classification Search**  
USPC ..... D9/434-436, 439, 440, 443, 444, 445,  
D9/447, 449, 450, 451, 454, 499, 503,  
D9/504, 505, 516, 529; D7/387, 391,  
D7/392, 392.1, 396.2, 510, 511, 629, 900;  
D3/202

CPC ..... A45F 3/16; A47G 19/2272; A61J 1/00;  
A61J 1/1412; B65D 1/00; B65D 1/02;  
B65D 1/10; B65D 1/46; B65D 41/00;  
B65D 41/38; B65D 41/56; B65D 41/62;  
B65D 45/00; B65D 47/00; B65D 47/06;  
B65D 47/08; B65D 2251/00; B65D  
2543/00046; B65D 2543/00055; B65D  
2543/00092; B65D 2543/00296; B65D  
2581/3409

See application file for complete search history.

(56) **References Cited**

**U.S. PATENT DOCUMENTS**

D306,265 S \* 2/1990 Leebeek ..... D9/435  
D505,294 S \* 5/2005 Gauss ..... D7/392.1  
D682,102 S \* 5/2013 Davis ..... D9/449  
D711,230 S \* 8/2014 den Boer ..... D9/449  
D758,790 S \* 6/2016 Boroski ..... D7/392.1

D778,117 S \* 2/2017 Du ..... D7/608  
D780,578 S \* 3/2017 Lane ..... D9/447  
D794,453 S \* 8/2017 Boroski ..... D9/449  
D839,044 S \* 1/2019 Potter ..... D7/392.1  
D861,421 S \* 10/2019 Barber ..... D7/396.2  
D869,230 S \* 12/2019 Hao ..... D9/449  
D884,418 S \* 5/2020 Wang ..... D7/396.2  
D890,564 S \* 7/2020 Hao ..... D9/449  
D893,956 S \* 8/2020 Wang ..... D9/531  
D896,024 S \* 9/2020 Wang ..... D7/392.1  
D902,648 S \* 11/2020 Wang ..... D9/449  
D909,128 S \* 2/2021 Hu ..... D7/396.2  
D910,368 S \* 2/2021 McCabe ..... D9/449  
D911,769 S \* 3/2021 McCabe ..... D7/392.1  
D921,422 S \* 6/2021 McCabe ..... D9/449  
D942,808 S \* 2/2022 Wang ..... D7/392.1  
D943,343 S \* 2/2022 Wang ..... D7/396.2  
D943,419 S \* 2/2022 Zhang ..... D9/447  
D951,713 S \* 5/2022 Qiu ..... D7/510

(Continued)

*Primary Examiner* — Wendy L Arminio

(57) **CLAIM**

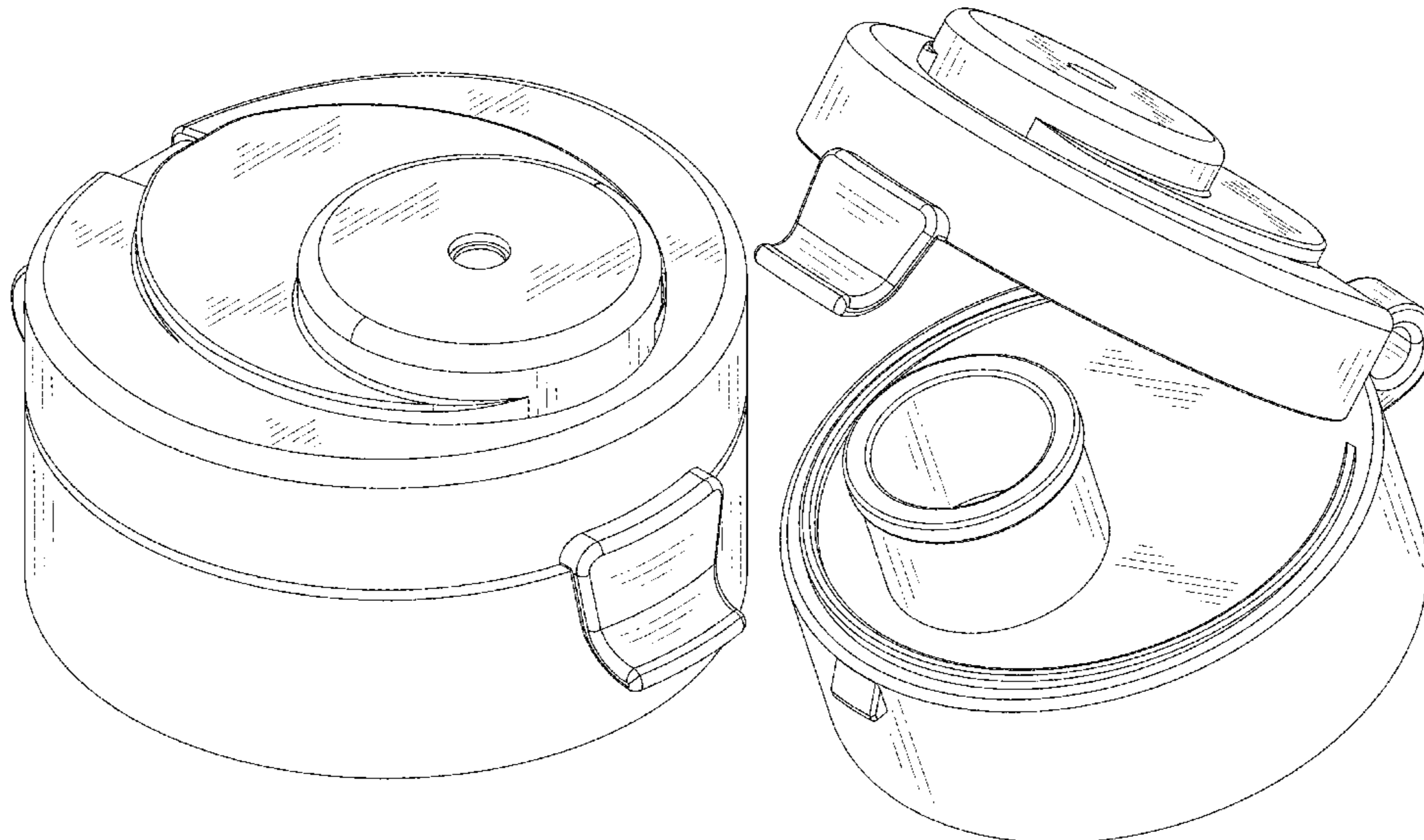
The ornamental design for a bottle cap, as shown and described.

**DESCRIPTION**

FIG. 1 is a perspective view of a bottle cap showing my new design;  
FIG. 2 is a front elevational view thereof;  
FIG. 3 is a rear elevational view thereof;  
FIG. 4 is a left side elevational view thereof;  
FIG. 5 is a right side elevational view thereof;  
FIG. 6 is a top plan view thereof;  
FIG. 7 is a bottom plan view thereof;  
FIG. 8 is another perspective view thereof; and,  
FIG. 9 is another perspective view thereof, shown in an open configuration.

The broken lines throughout the drawing figures depict portions of the bottle cap that form no part of the claimed design.

**1 Claim, 9 Drawing Sheets**



(56)

**References Cited**

U.S. PATENT DOCUMENTS

D958,591 S	*	7/2022	Hu .....	D7/392.1
D958,592 S	*	7/2022	Zhou .....	D7/392.1
D960,638 S	*	8/2022	Huang .....	D7/392.1

\* cited by examiner

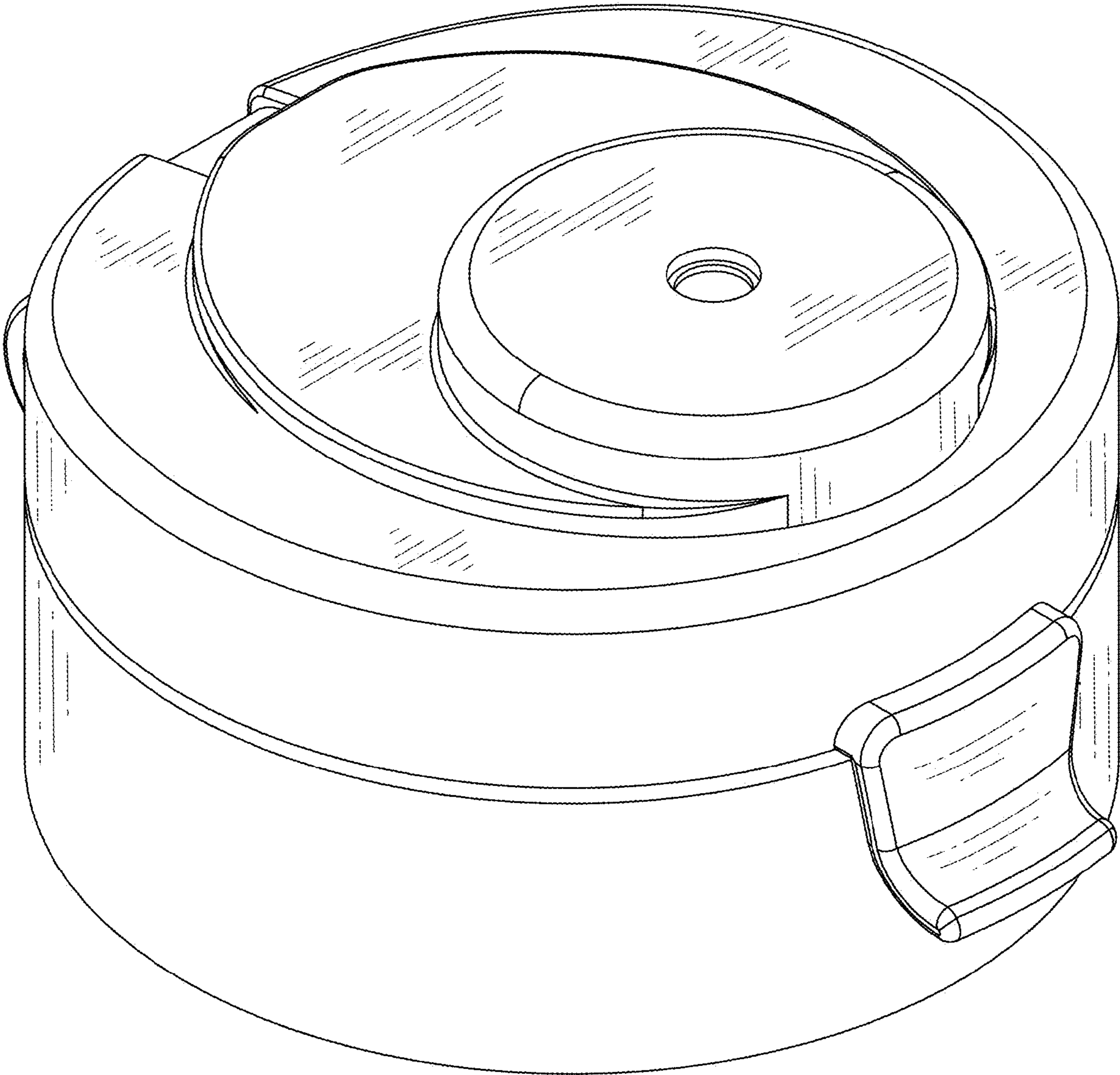


FIG.1

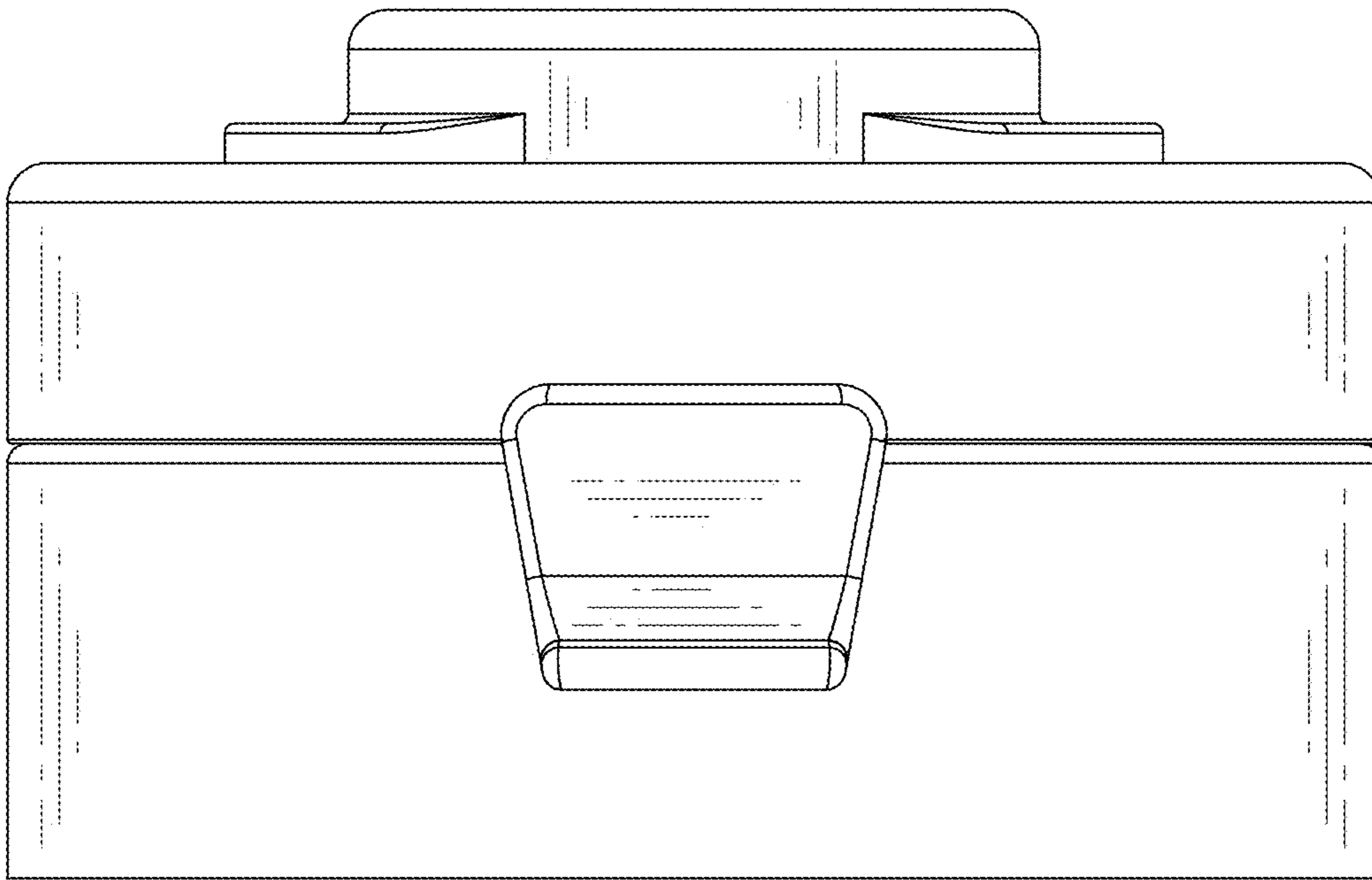


FIG.2

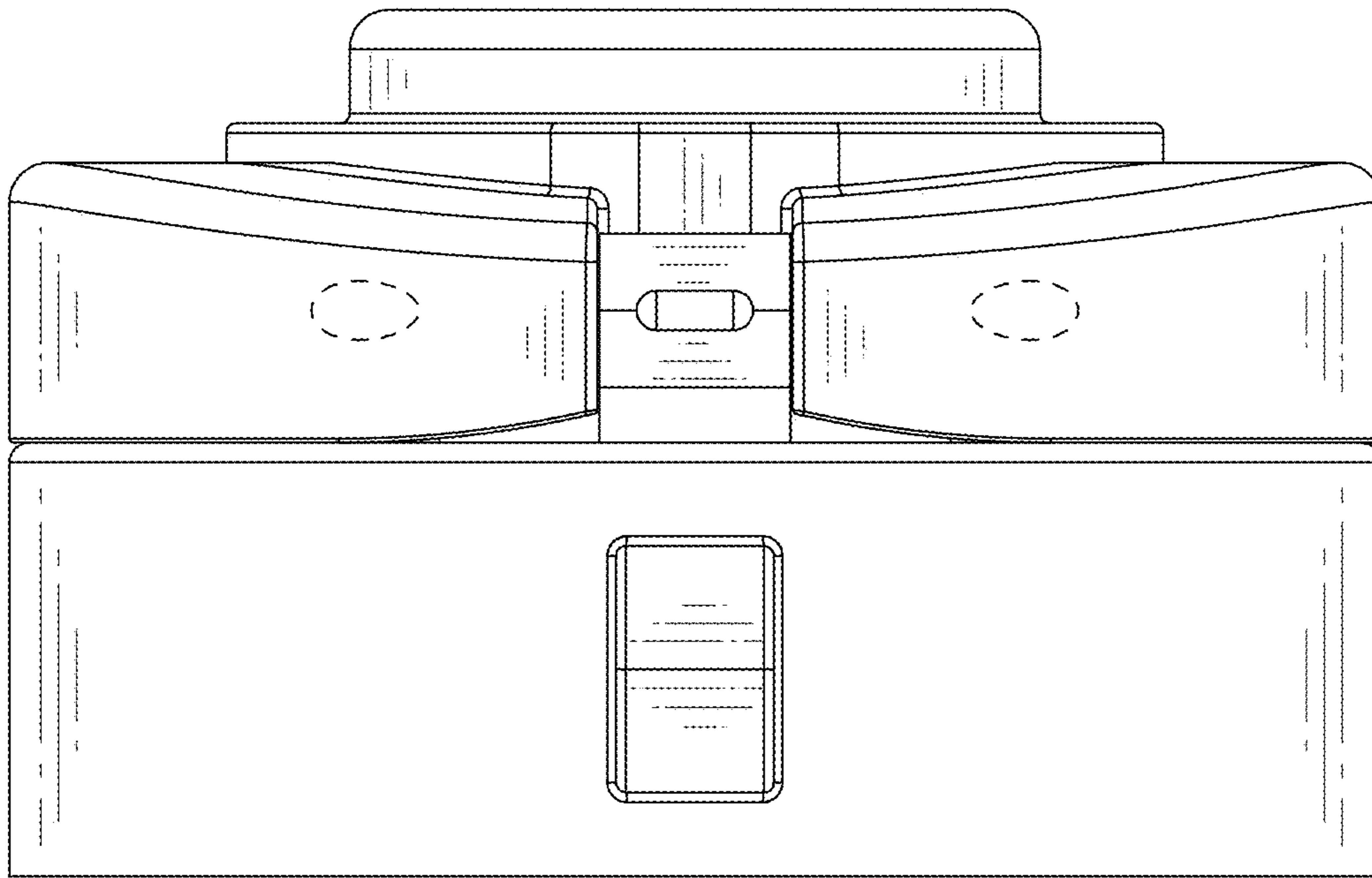


FIG.3

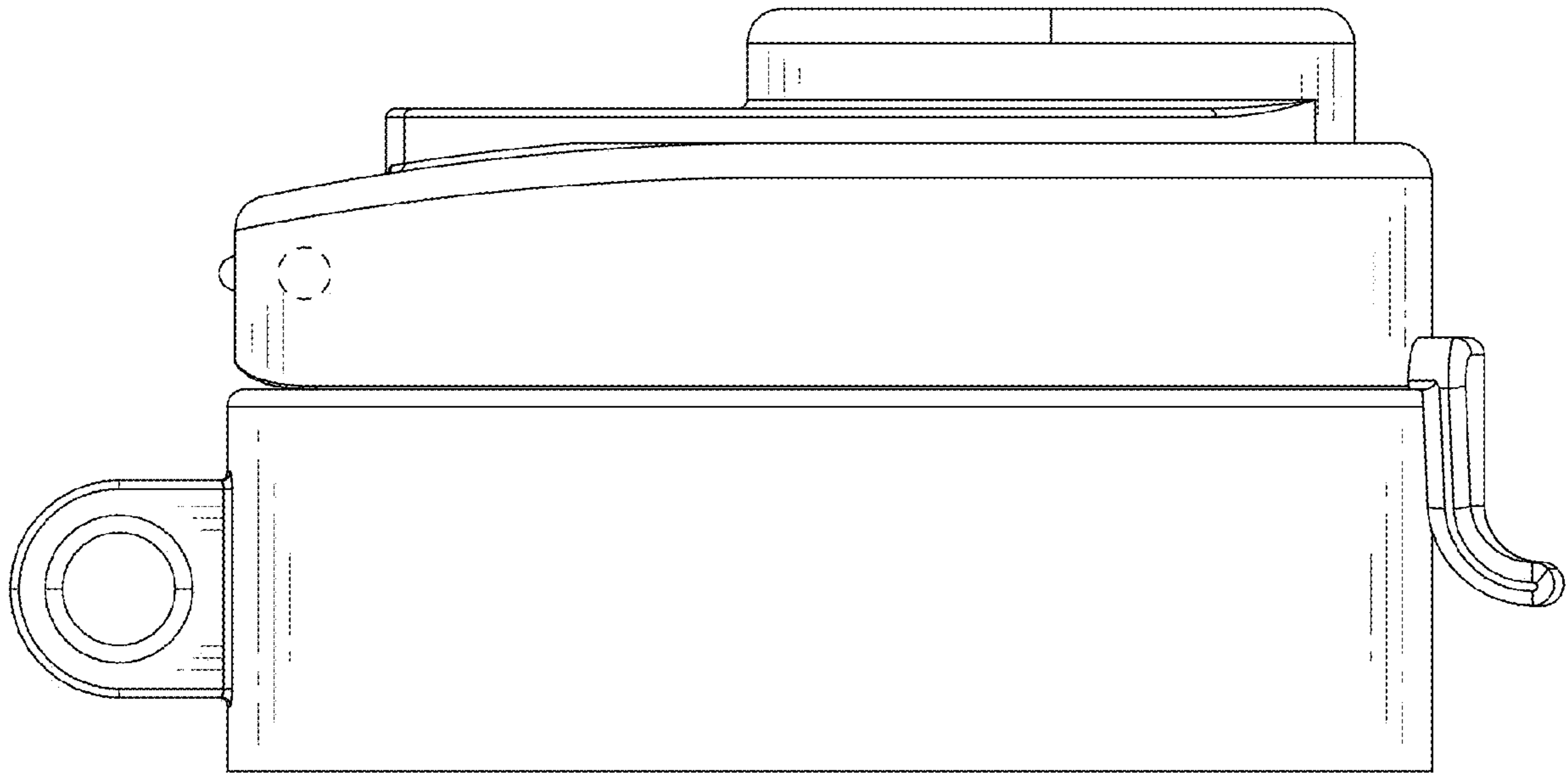


FIG.4

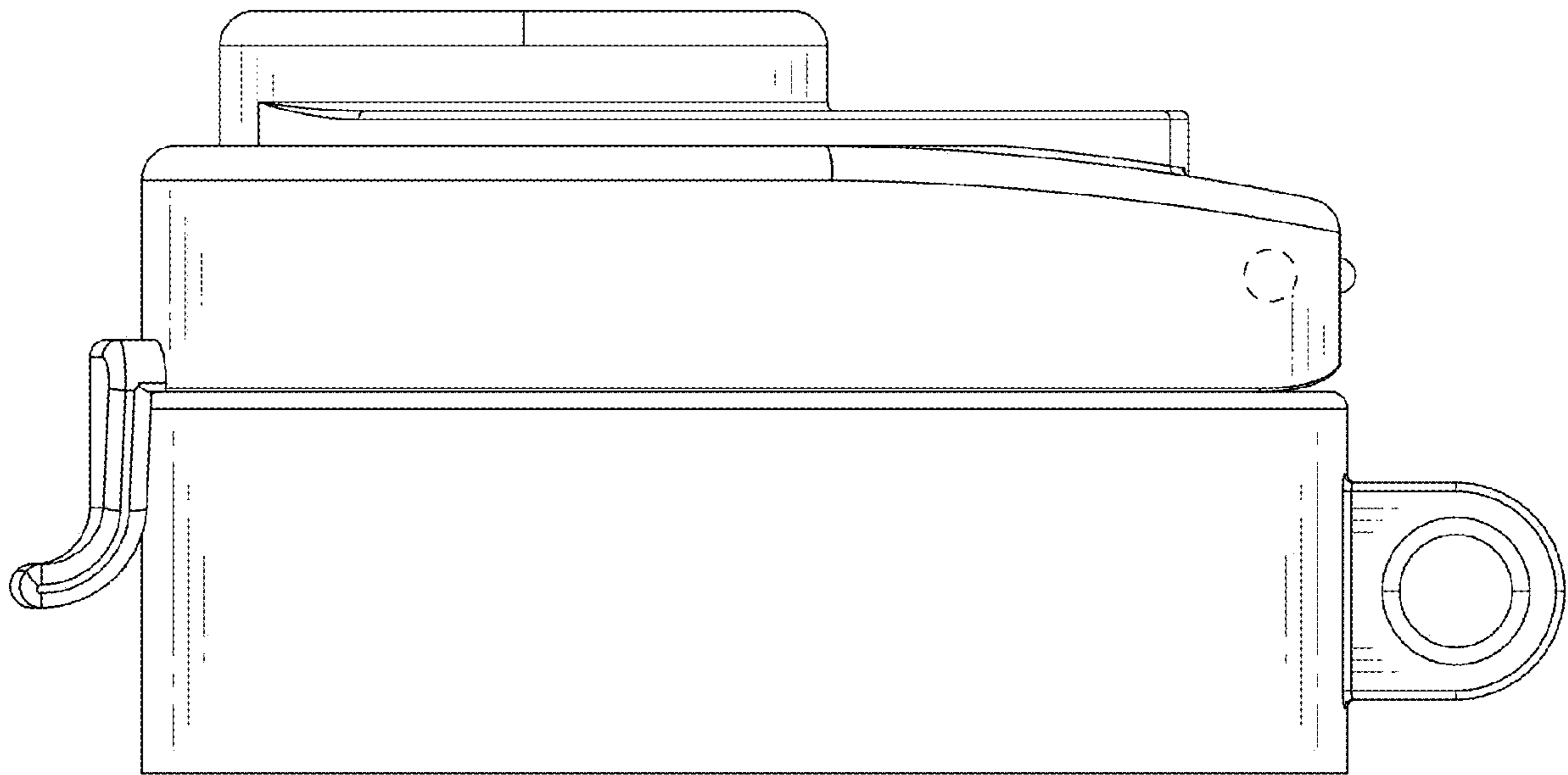


FIG.5

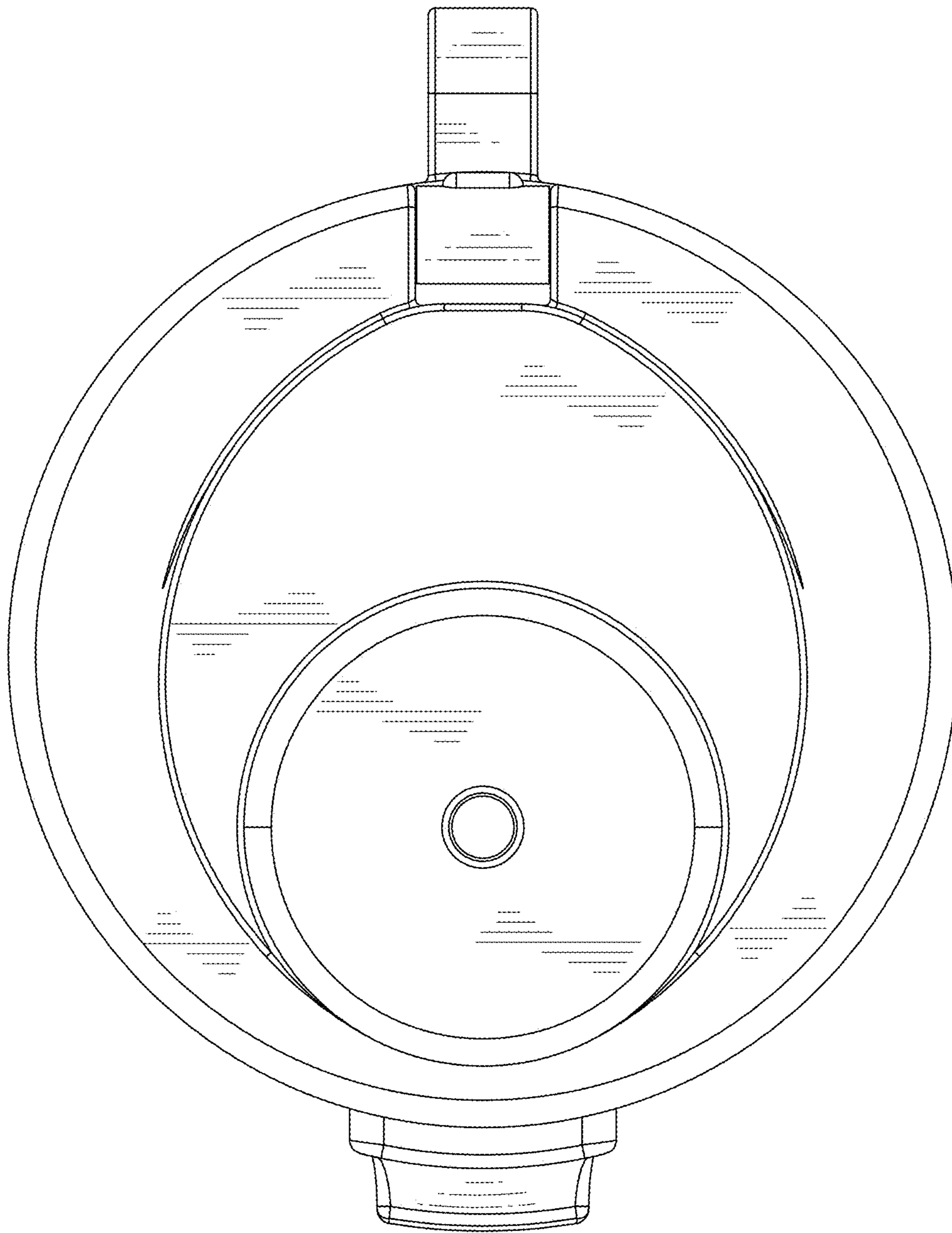


FIG.6



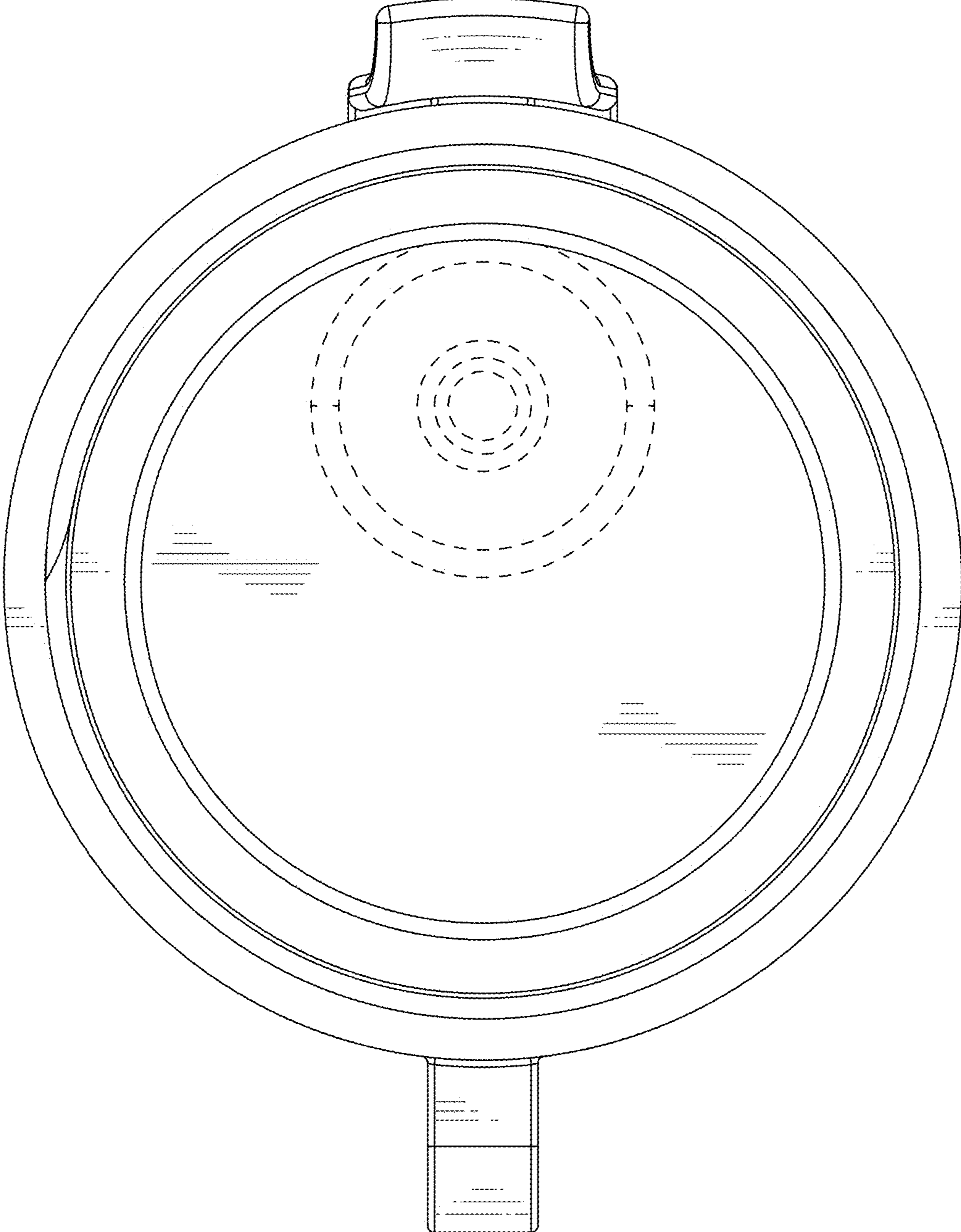


FIG.7

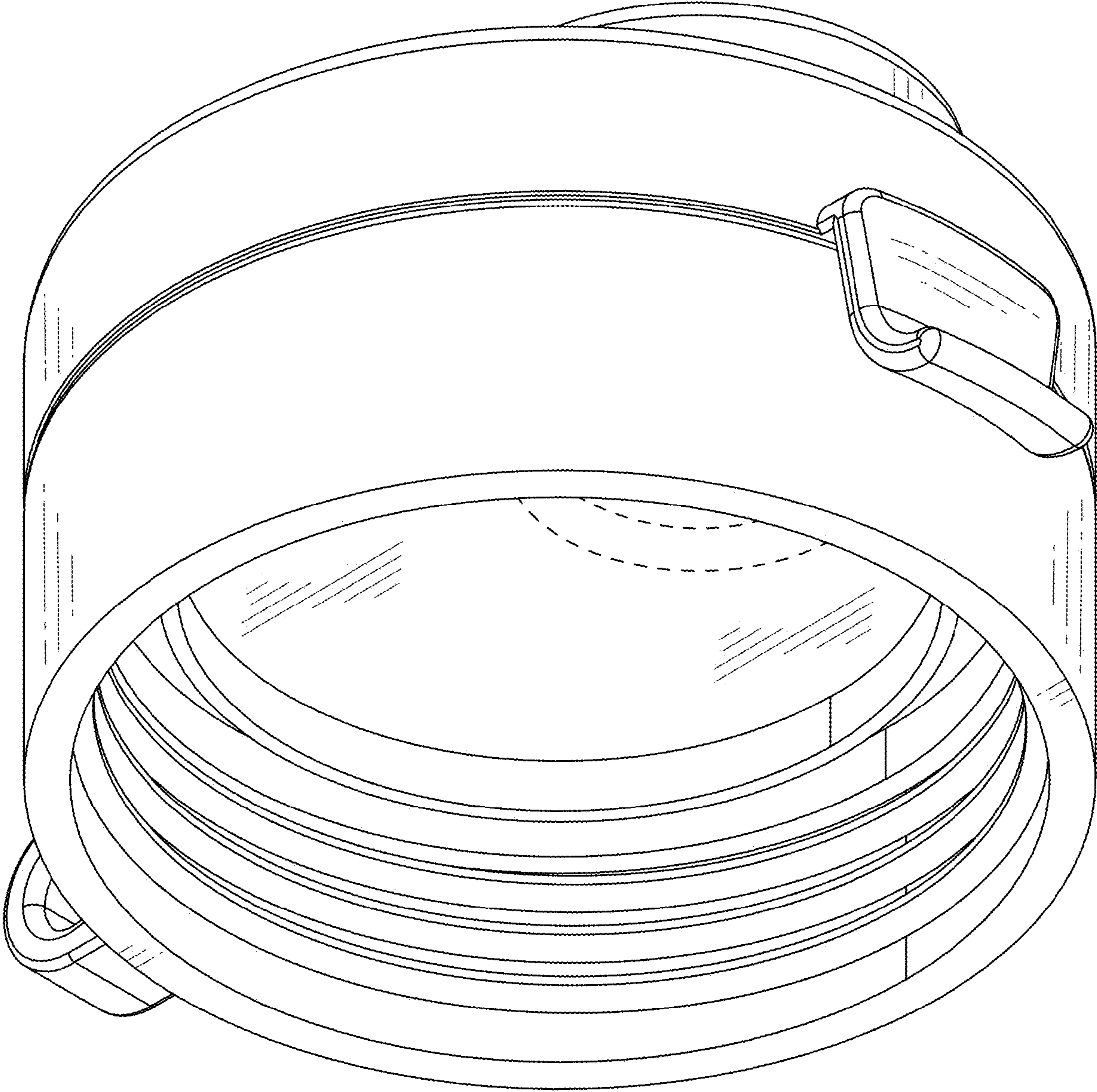


FIG.8

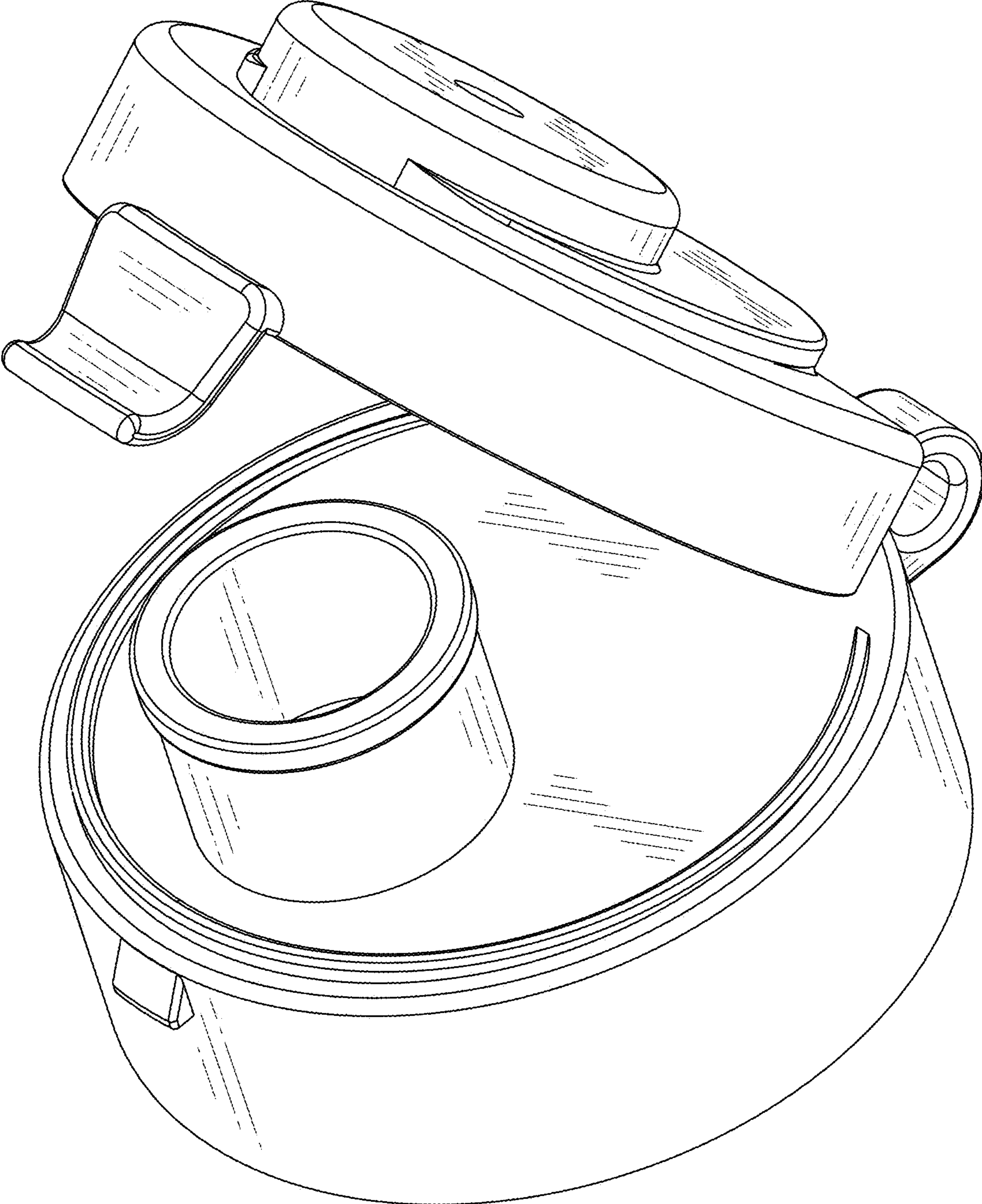


FIG.9