



US00D984202S

(12) **United States Design Patent**
Lane et al.

(10) **Patent No.:** **US D984,202 S**

(45) **Date of Patent:** **** Apr. 25, 2023**

(54) **LID FOR FOOD CONTAINER**

(71) Applicants: **Marvin Lane**, Wheeling, IL (US);
Michael Liebowitz, Concord, CA (US)

(72) Inventors: **Marvin Lane**, Wheeling, IL (US);
Michael Liebowitz, Concord, CA (US)

(73) Assignee: **Thermos L.L.C.**, Schaumburg, IL (US)

(**) Term: **15 Years**

(21) Appl. No.: **29/702,372**

(22) Filed: **Aug. 19, 2019**

(51) **LOC (14) Cl.** **07-02**

(52) **U.S. Cl.**
USPC **D7/392.1**

(58) **Field of Classification Search**
USPC D7/392, 392.1, 554.2, 535, 542, 553.6,
D7/396.2; D9/447, 424, 428, 429, 772,
D9/904; D11/152
CPC . A47G 23/06; A47G 2/18; A47J 43/27; A45F
3/16; A61J 7/0038; B65D 2517/0049;
B65D 51/24; B65D 41/46
See application file for complete search history.

(56) **References Cited**

U.S. PATENT DOCUMENTS

| | | | | |
|--------------|---------|---------|-------|----------|
| D675,060 S * | 1/2013 | Lane | | D9/449 |
| D679,959 S | 4/2013 | Lane | | |
| 8,550,269 B2 | 10/2013 | Lane | | |
| 9,211,040 B2 | 12/2015 | Lane | | |
| D867,814 S * | 11/2019 | Bodum | | D7/392.1 |
| D869,230 S * | 12/2019 | Hao | | D9/449 |
| D872,536 S * | 1/2020 | Lane | | D9/523 |
| D873,605 S * | 1/2020 | Lindsay | | D9/453 |
| D879,550 S * | 3/2020 | Lane | | D7/392 |
| D881,642 S * | 4/2020 | Zhang | | D7/392.1 |
| D882,335 S * | 4/2020 | Lane | | D7/396.2 |
| D890,564 S * | 7/2020 | Hao | | D9/449 |
| D894,669 S * | 9/2020 | Lane | | D7/392.1 |

| | | | | |
|--------------|---------|------|-------|----------|
| D901,236 S * | 11/2020 | Yao | | D7/392.1 |
| D902,648 S * | 11/2020 | Wang | | D9/449 |
| D922,138 S * | 6/2021 | Chen | | D7/392.1 |

(Continued)

FOREIGN PATENT DOCUMENTS

| | | | |
|----|----------------|---|--------|
| CA | 193072 | * | 7/2022 |
| CN | 305932620 | * | 7/2020 |
| KR | 301091147.0000 | * | 1/2021 |

OTHER PUBLICATIONS

Bed, Bath, and Beyond website, Thermos 10 oz FUNtainer, Publication date unknown, [site visited Nov. 30, 2021], Available on the Internet URL <https://www.bedbathandbeyond.com/store/product/thermos-10-oz-funtainer-food-jar/5567343> (Year: 2021).*

(Continued)

Primary Examiner — S. Bryan Reinholdt, Jr.
(74) *Attorney, Agent, or Firm* — Polsinelli PC

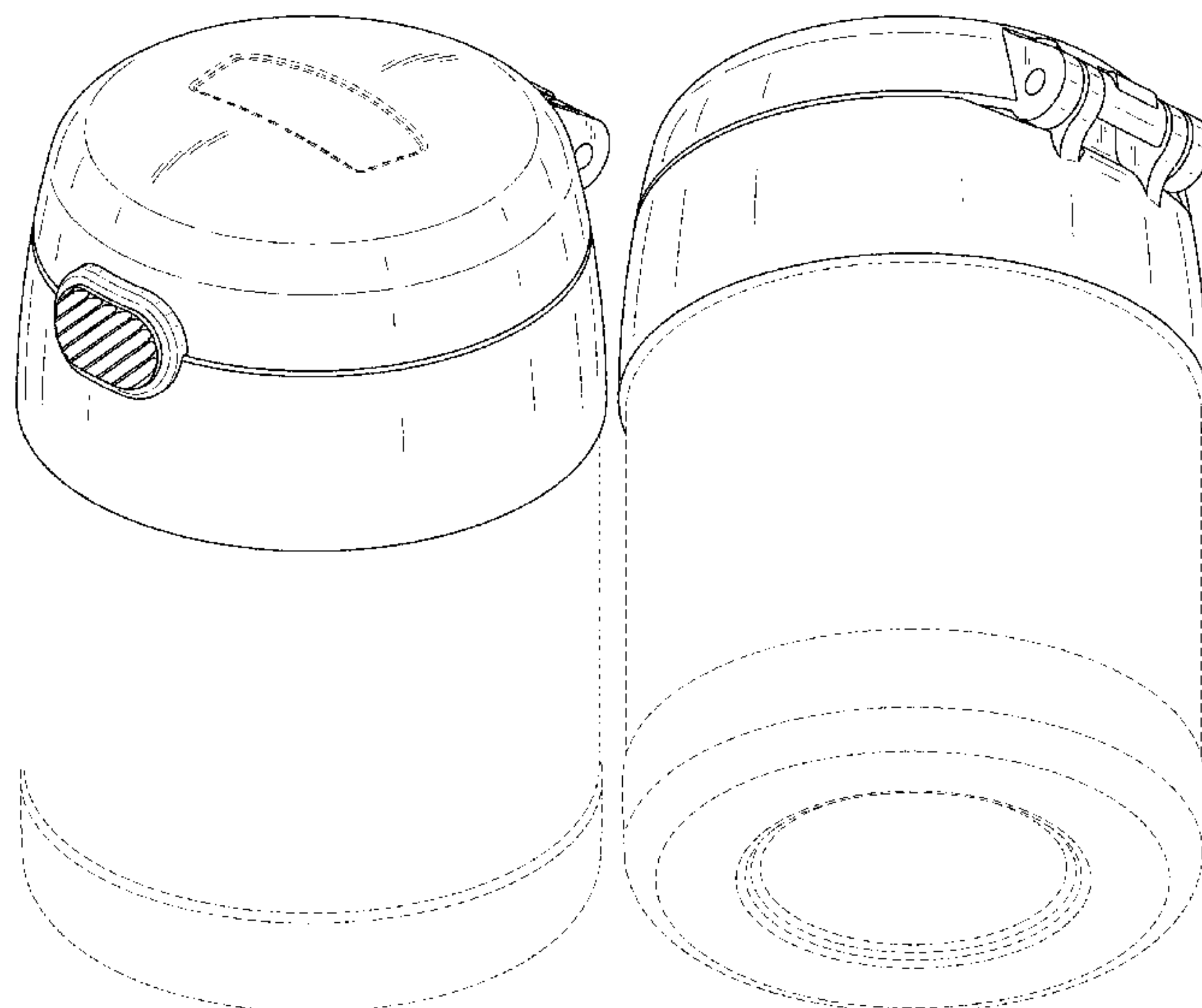
(57) **CLAIM**

The ornamental design for a lid for food container, as shown and described.

DESCRIPTION

FIG. 1 is a perspective view of a lid for food container showing our new design;
FIG. 2 is a lower perspective view of the lid for food container;
FIG. 3 is a front view of the lid for food container;
FIG. 4 is a rear view of the lid for food container;
FIG. 5 is a left side view of the lid for food container;
FIG. 6 is a right side view of the lid for food container;
FIG. 7 is a top view of the lid for food container; and,
FIG. 8 is a bottom view of the lid for food container.
The broken lines showing in the figures are included for the purpose of illustrating portions of the lid for food container that form no part of the claimed design.

1 Claim, 8 Drawing Sheets



(56)

References Cited

U.S. PATENT DOCUMENTS

D927,924 S * 8/2021 Lane D7/608
D935,276 S * 11/2021 Lane D9/449
D951,702 S * 5/2022 Chen D9/449
2021/0053731 A1* 2/2021 Lane B65D 43/24

OTHER PUBLICATIONS

Design U.S. Appl. No. 29/643,611, filed Apr. 13, 2018; 23 pgs.

* cited by examiner

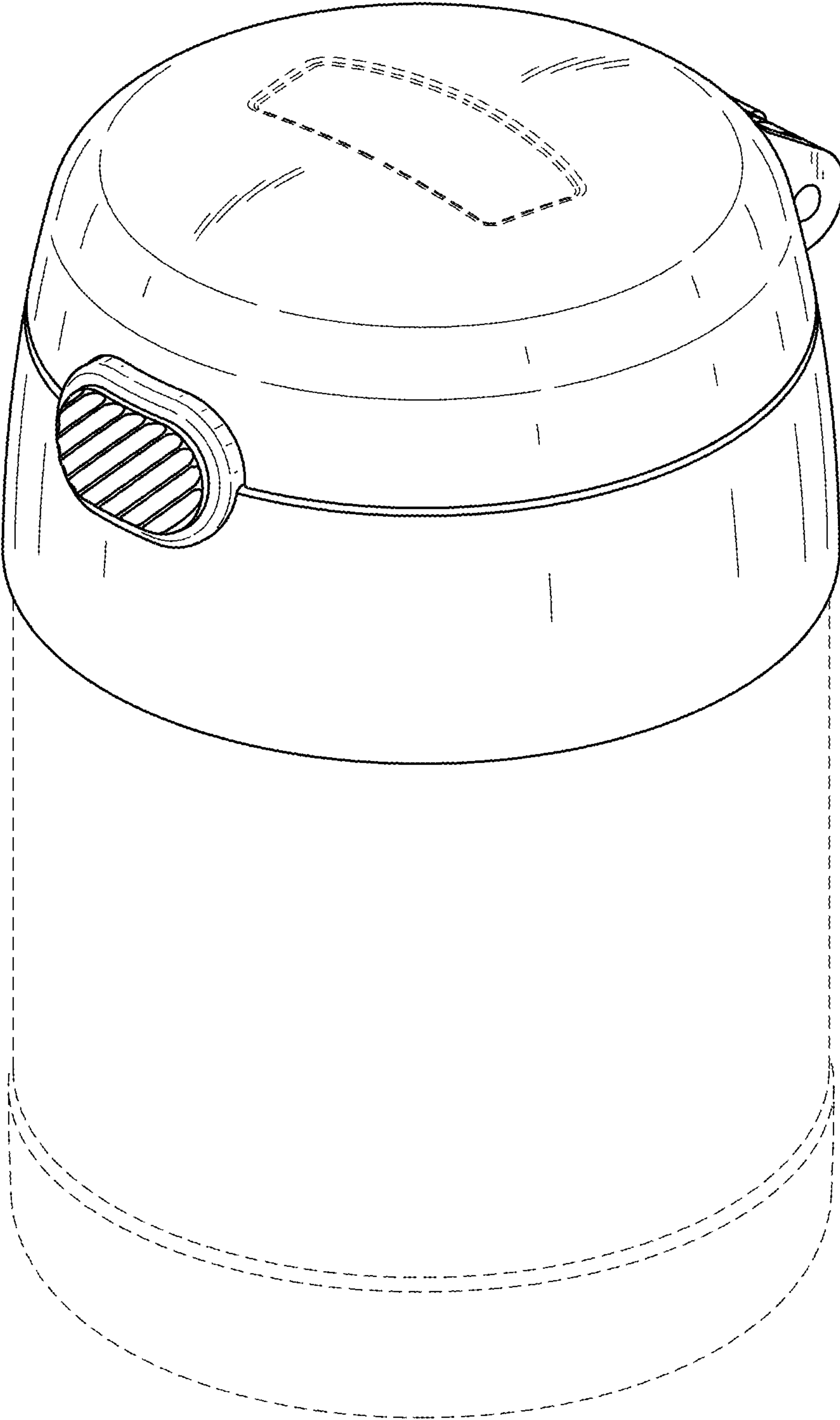


FIG. 1

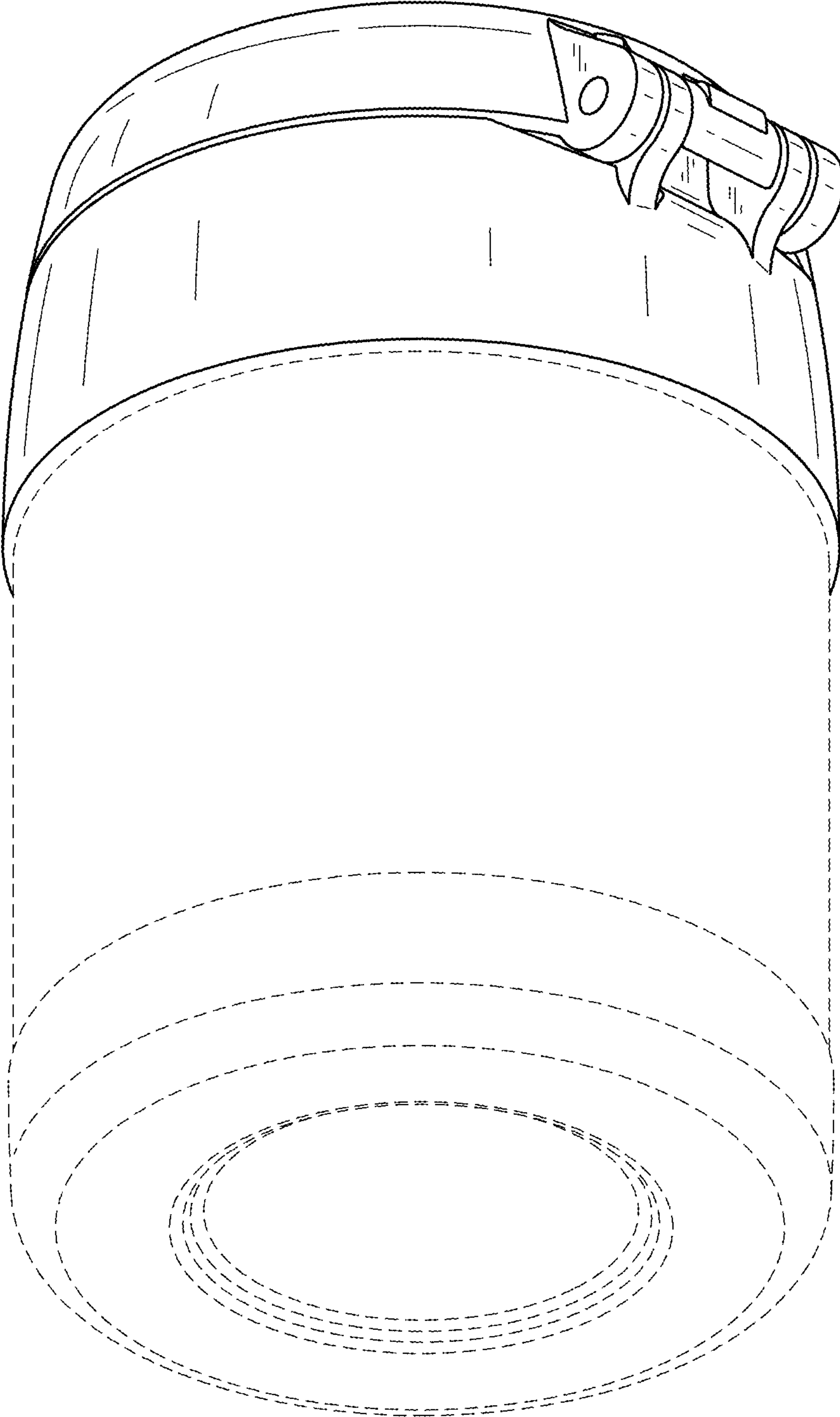


FIG. 2

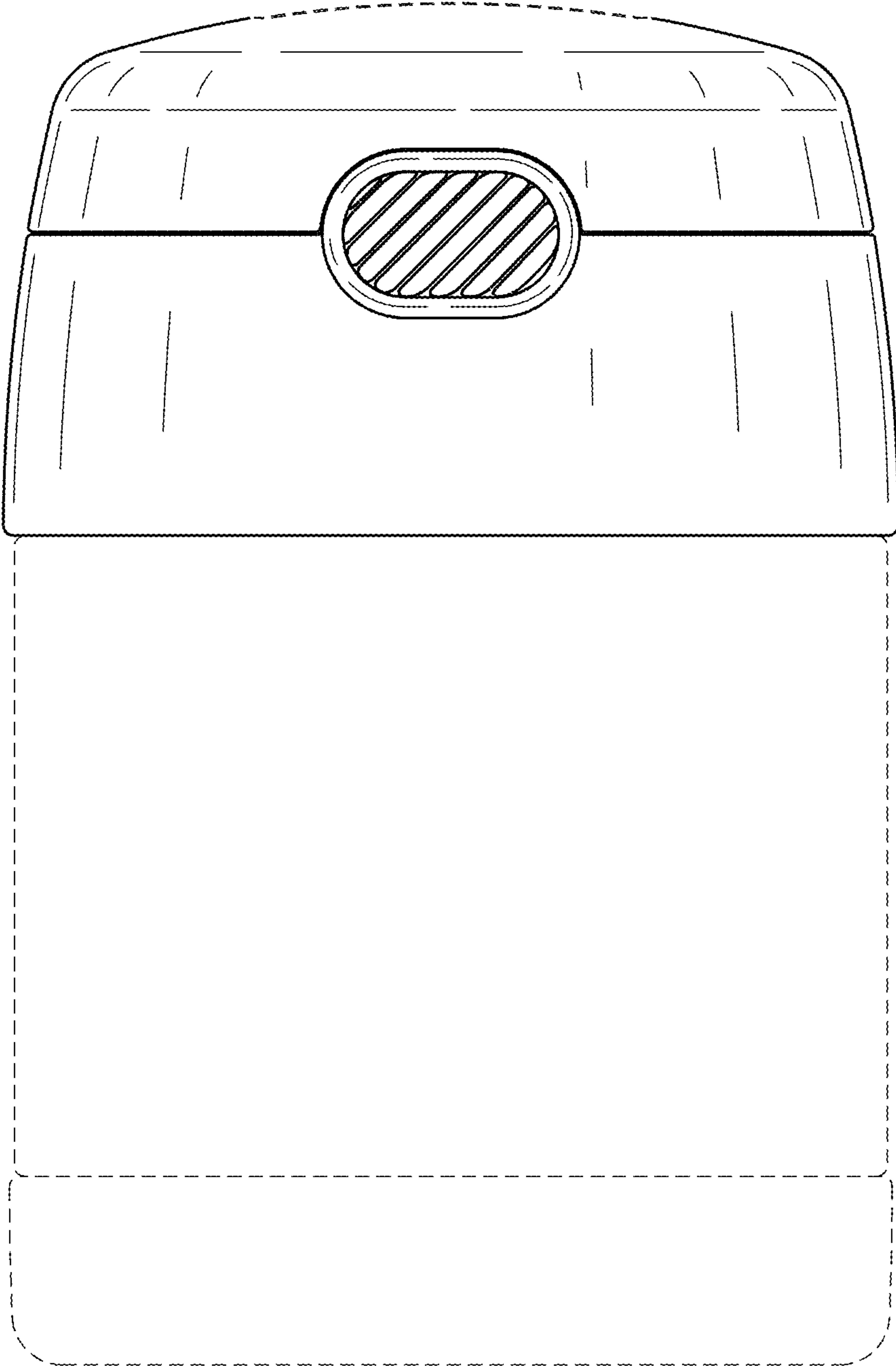


FIG. 3

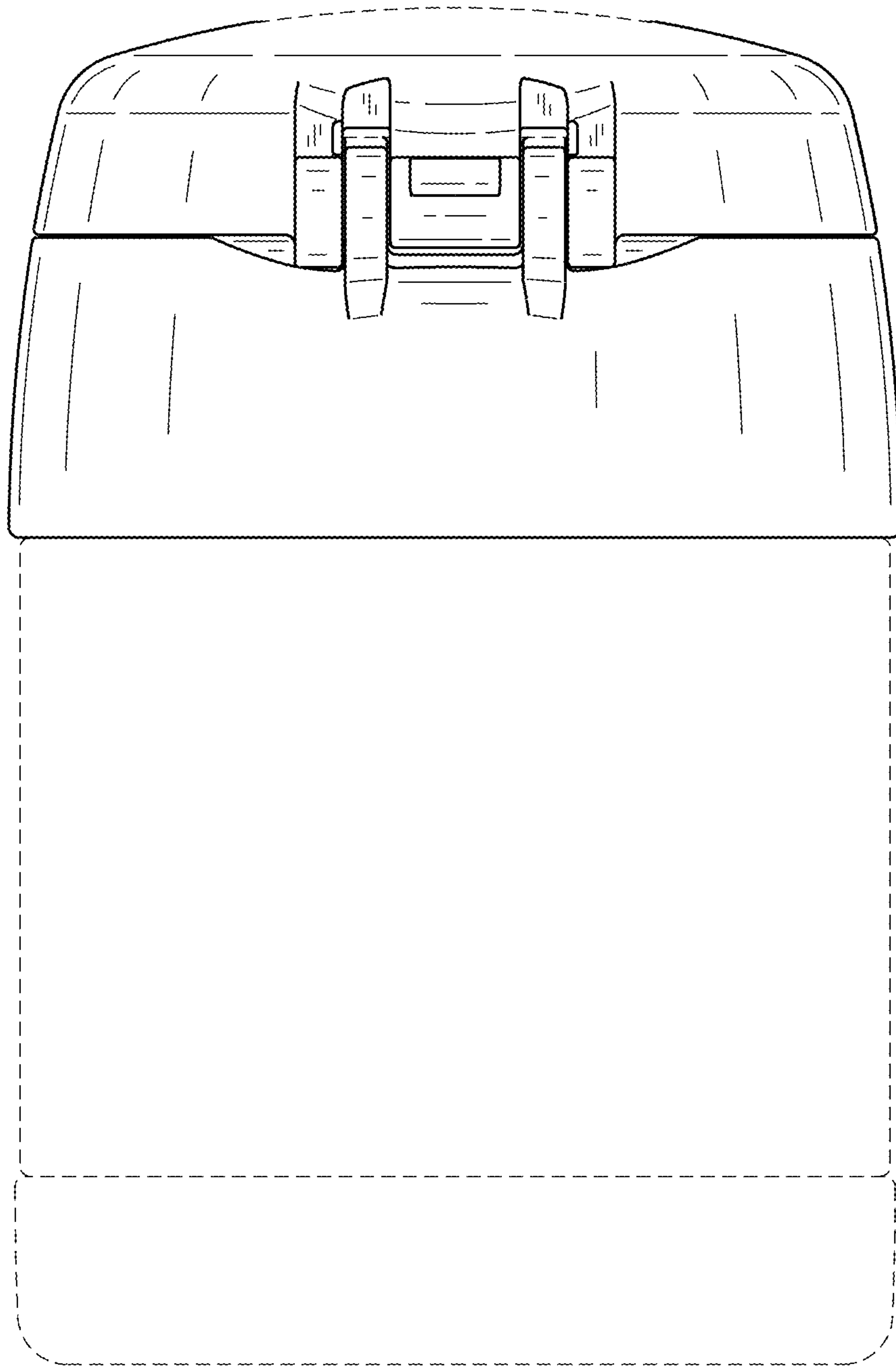


FIG. 4

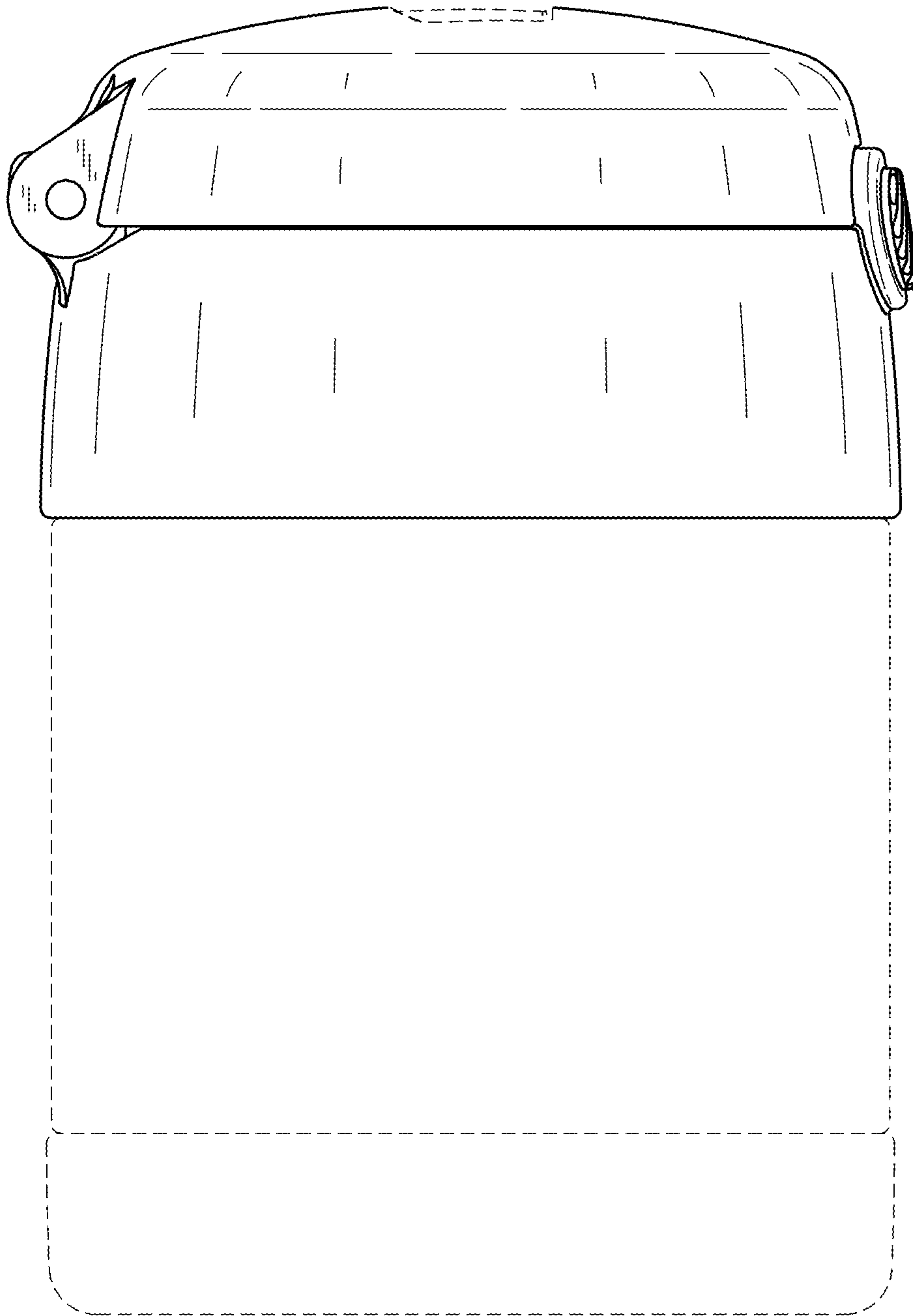


FIG. 5

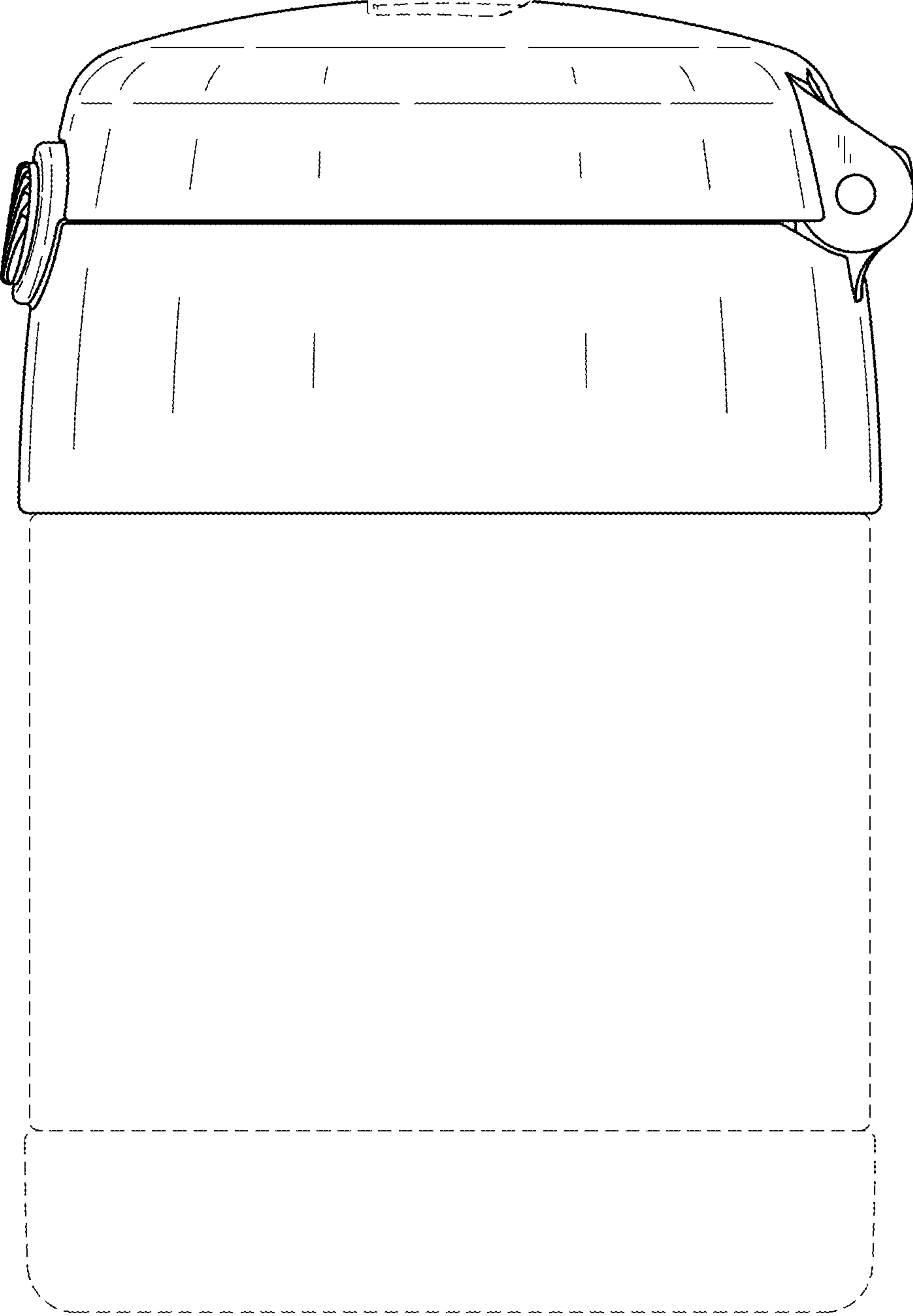


FIG. 6

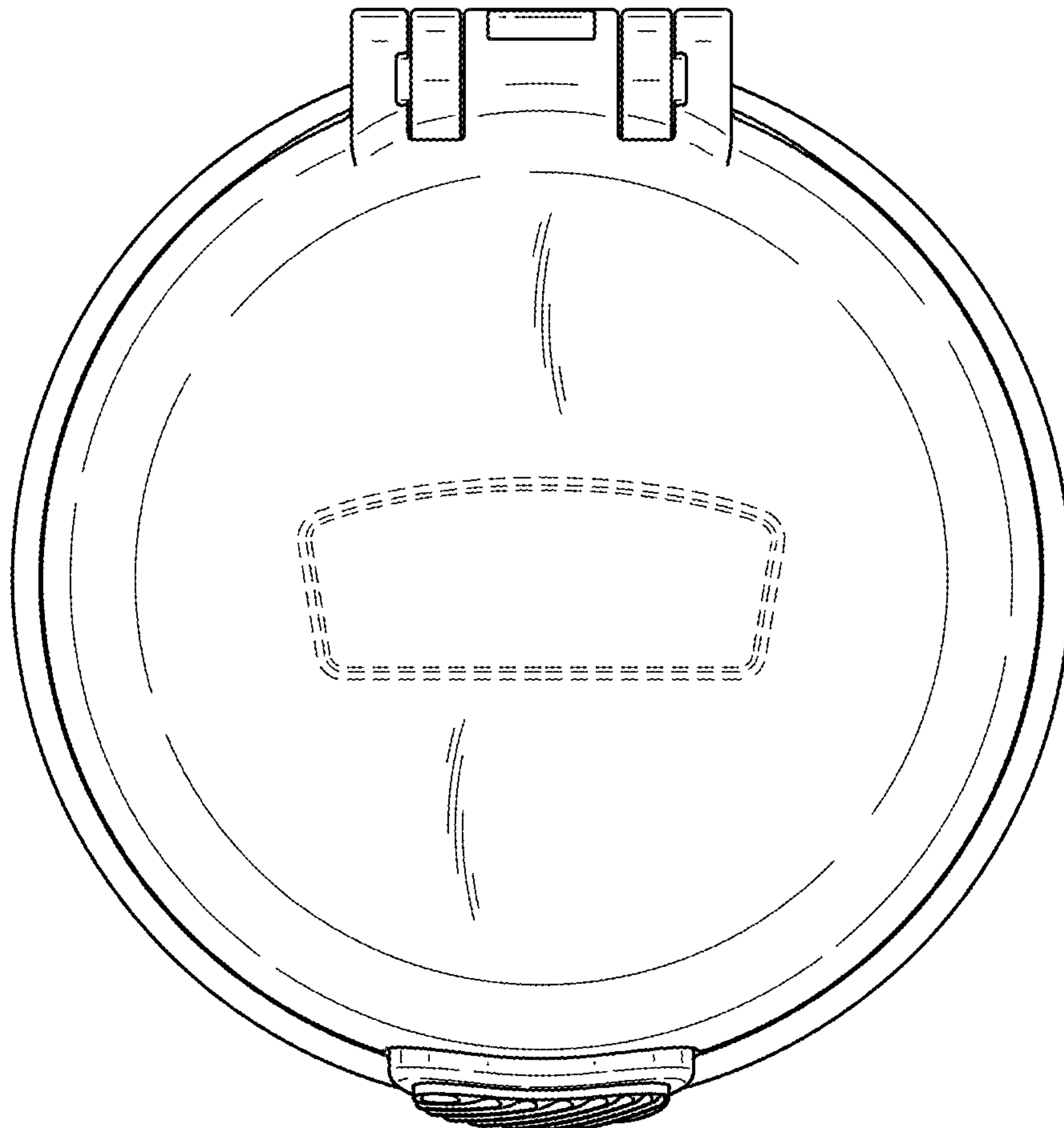


FIG. 7

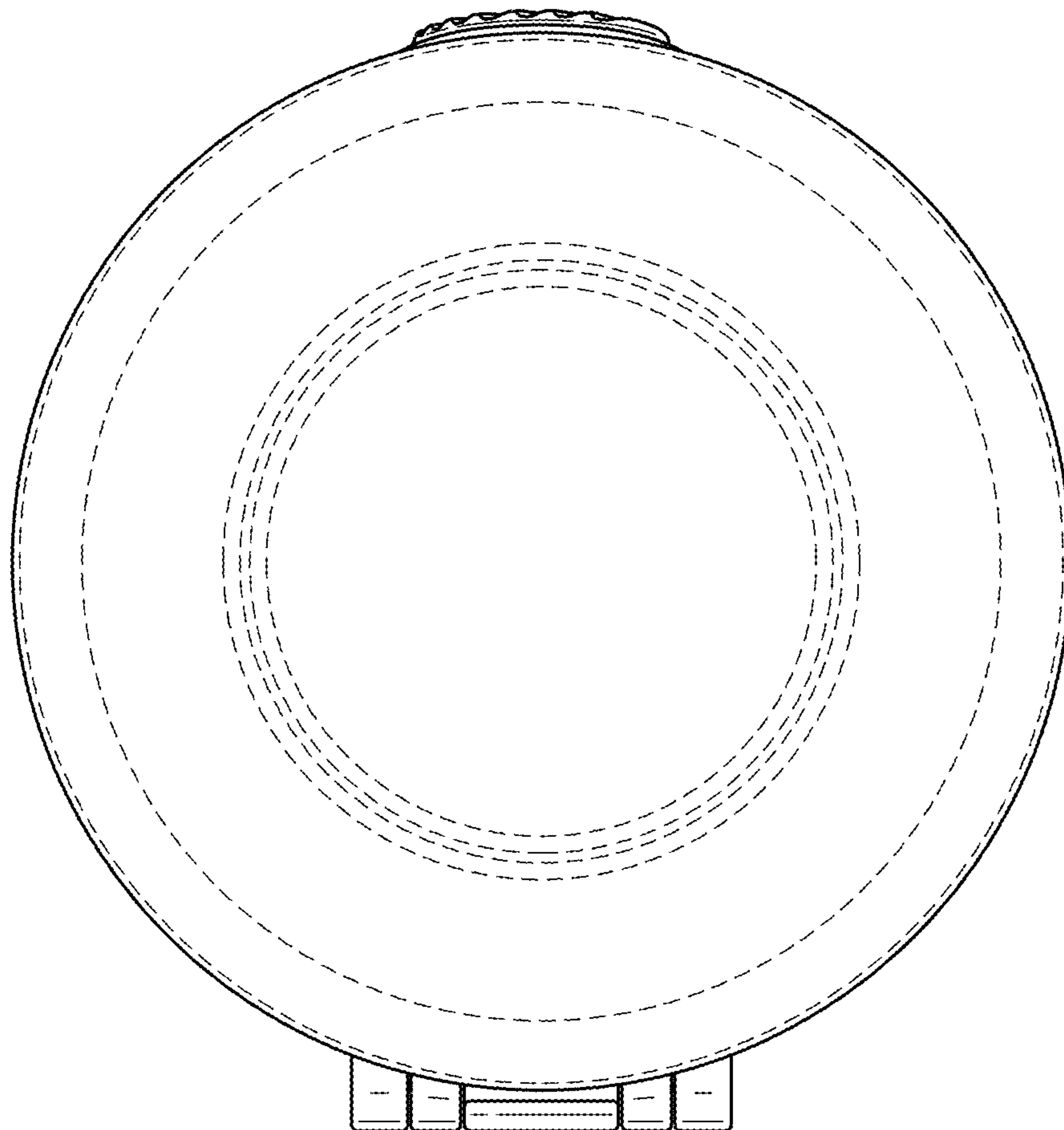


FIG. 8