



US00D984201S

(12) **United States Design Patent**
Jin

(10) **Patent No.:** **US D984,201 S**

(45) **Date of Patent:** **** Apr. 25, 2023**

(54) **MILK FROTHER**

(71) Applicant: **Hangzhou Goldmith Internet Technology Co., Ltd., Hangzhou (CN)**

(72) Inventor: **Jianlin Jin, Hangzhou (CN)**

(73) Assignee: **Hangzhou Goldmith Internet Technology Co., Ltd., Hangzhou (CN)**

(**) Term: **15 Years**

(21) Appl. No.: **29/853,694**

(22) Filed: **Sep. 18, 2022**

(51) **LOC (14) Cl.** **31-00**

(52) **U.S. Cl.**
USPC **D7/380; D7/376; D7/379; D7/412**

(58) **Field of Classification Search**
USPC D7/354, 372, 376–386, 396.1, 412–413, D7/526, 538, 542, 562, 565, 566, 584, D7/588, 602, 629, 665–666, 669, 679, D7/690, 693–694

CPC A21C 1/02; A21C 1/04; A23N 1/00; A23N 1/02; A47J 43/04; A47J 43/25; A47J 43/27; A47J 43/042; A47J 43/044; A47J 43/046; A47J 43/06; A47J 43/075; A47J 43/0705; A47J 43/0711; A47J 43/0722; A47J 43/0727; A47J 43/1093; B01F 3/00; B01F 3/0807; B01F 3/0853; B01F 13/0059; B01F 13/0064; B01F 27/13; B01F 33/86; B02C 1/08; B02C 2/04; B02C 4/42; B02C 4/142; B02C 4/143; B02C 4/423; B02C 13/1835; B28C 5/10; B28C 5/12; B28C 5/14; B28C 5/16

See application file for complete search history.

(56) **References Cited**

U.S. PATENT DOCUMENTS

D313,533 S * 1/1991 Rixen D7/380
D527,959 S * 9/2006 Fung D7/690

D542,102 S * 5/2007 Cheung D7/690
D655,568 S * 3/2012 Chapman D7/380
D703,481 S * 4/2014 Lownds D7/378
D843,795 S * 3/2019 Perry D7/690
D865,446 S * 11/2019 Meyers D7/378
D924,619 S 7/2021 Chen
D960,636 S * 8/2022 McConnell D7/412
2015/0282674 A1 * 10/2015 Wong B01F 33/86
366/129
2022/0183507 A1 * 6/2022 Petrosyan B01F 27/13

OTHER PUBLICATIONS

Yuswko Store Rechargeable Milk Frother Handheld. Date First Available on Amazon.com Apr. 14, 2022. https://www.amazon.com/dp/B09XXHWLD1?pd_rd_i (Year: 2022).*

* cited by examiner

Primary Examiner — Ricky Pham

(74) *Attorney, Agent, or Firm* — Nitin Kaushik

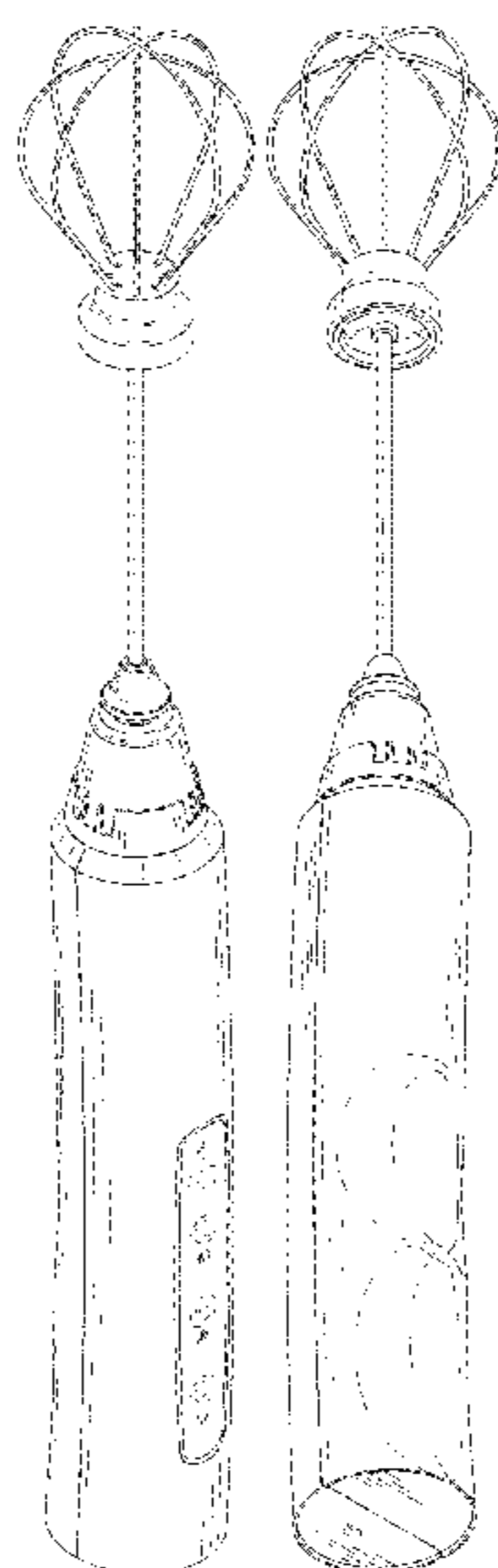
(57) **CLAIM**

The ornamental design for a milk frother, as shown and described.

DESCRIPTION

FIG. 1 is a top perspective view of a milk frother, showing my new design;
FIG. 2 is a bottom perspective view thereof;
FIG. 3 is a front view thereof;
FIG. 4 is a rear view thereof;
FIG. 5 is a left side view thereof;
FIG. 6 is a right side view thereof;
FIG. 7 is an enlarged plan view of its top surface; and,
FIG. 8 is an enlarged plan view of its bottom surface.
The broken lines in the drawings illustrate the portions of the milk frother, which form no part of the claimed design.

1 Claim, 8 Drawing Sheets



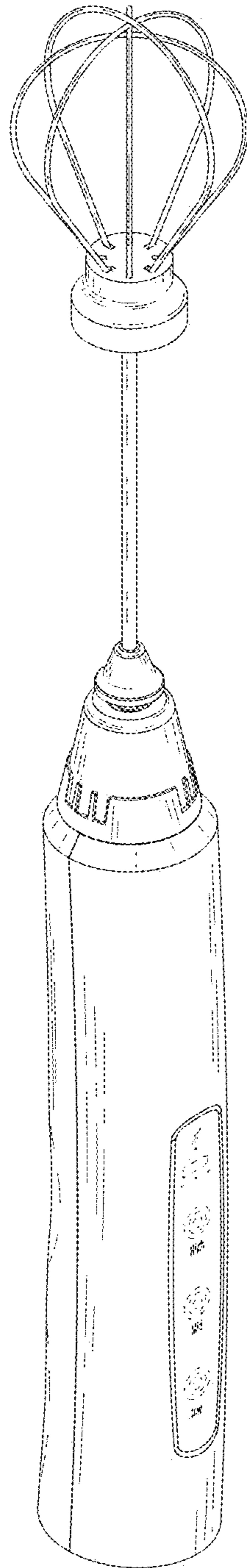


FIG. 1

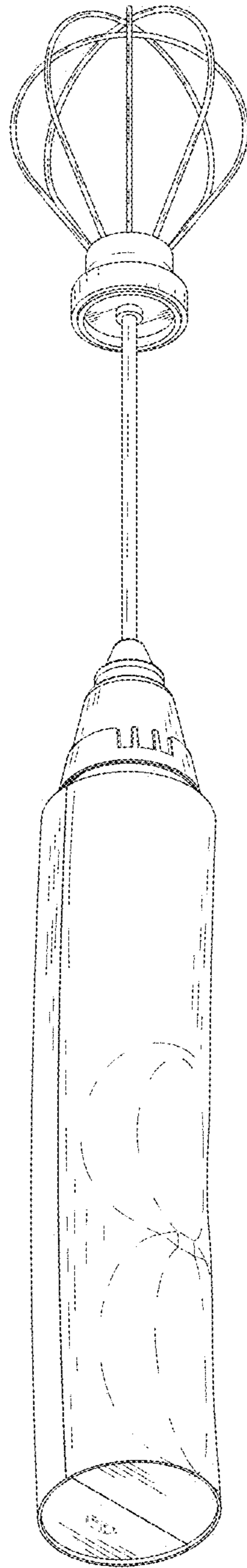


FIG. 2

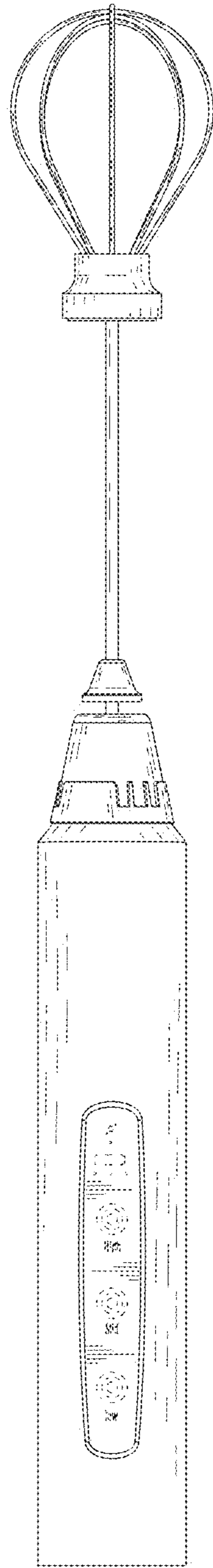


FIG. 3

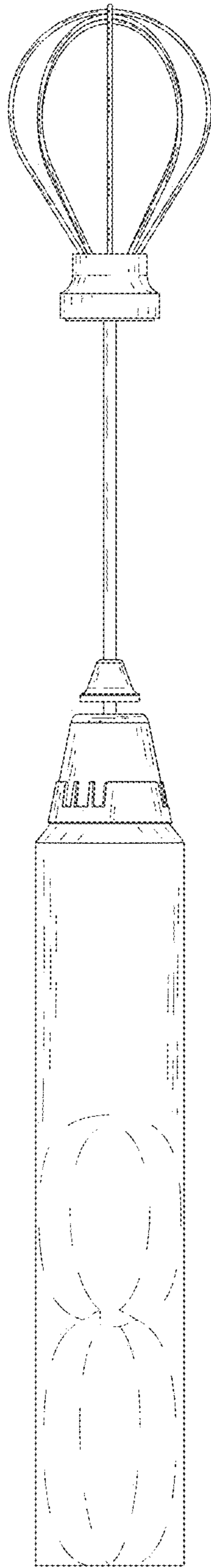


FIG. 4

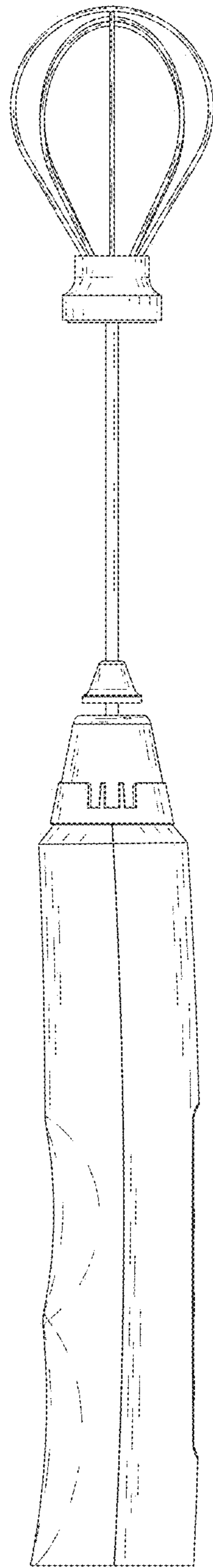


FIG. 5

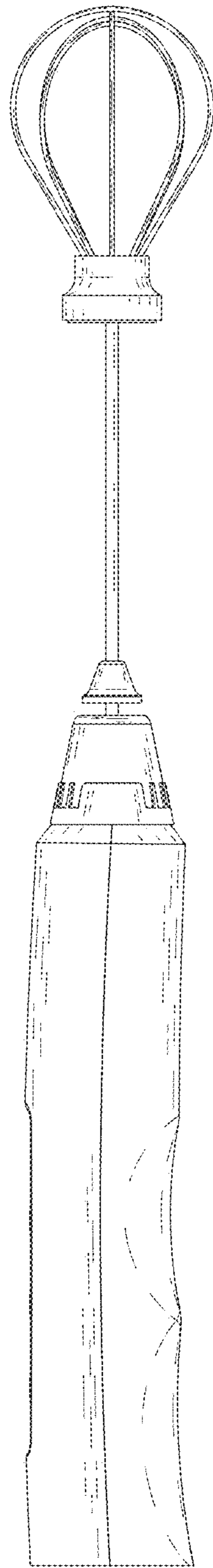


FIG. 6

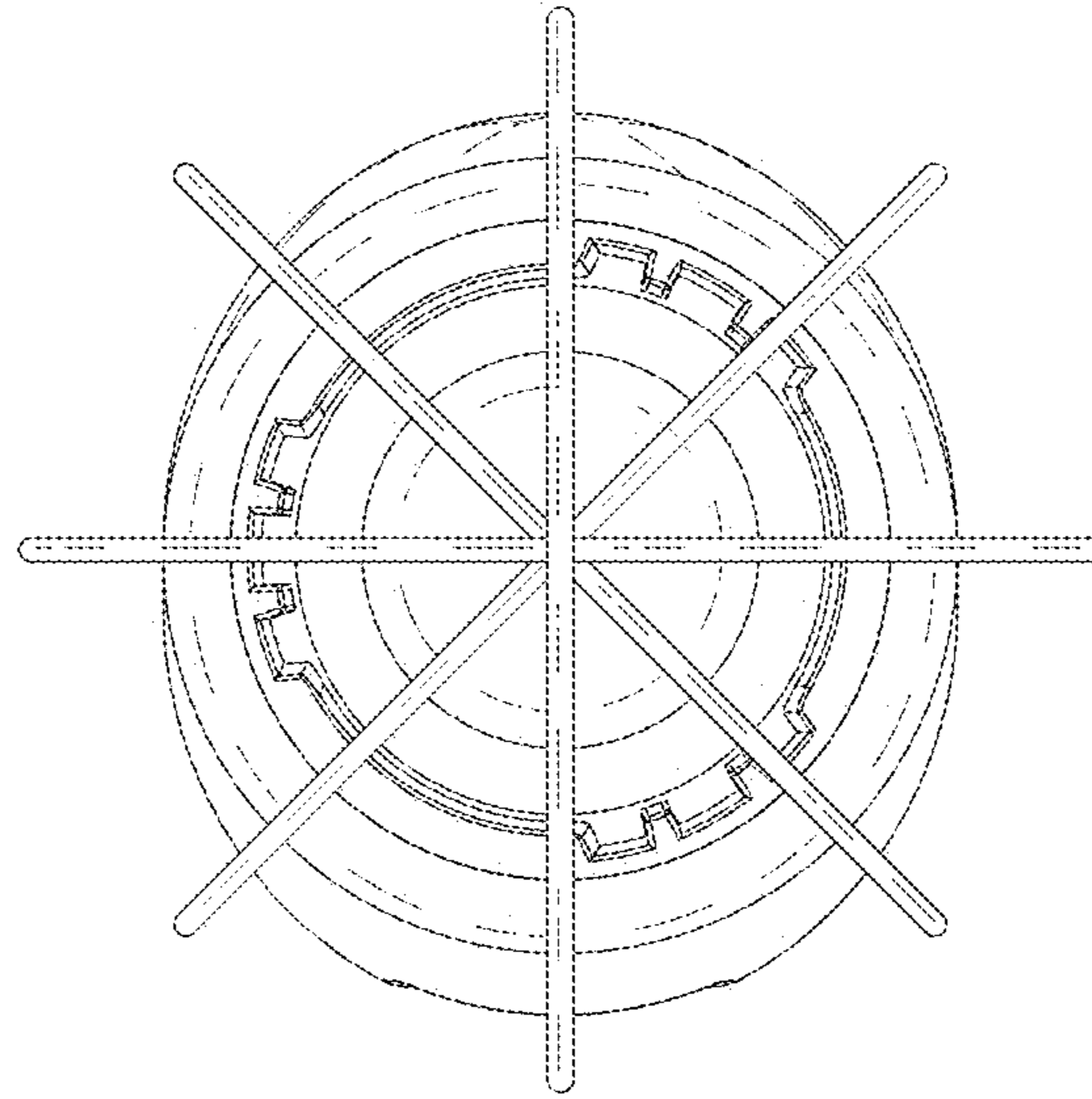


FIG. 7

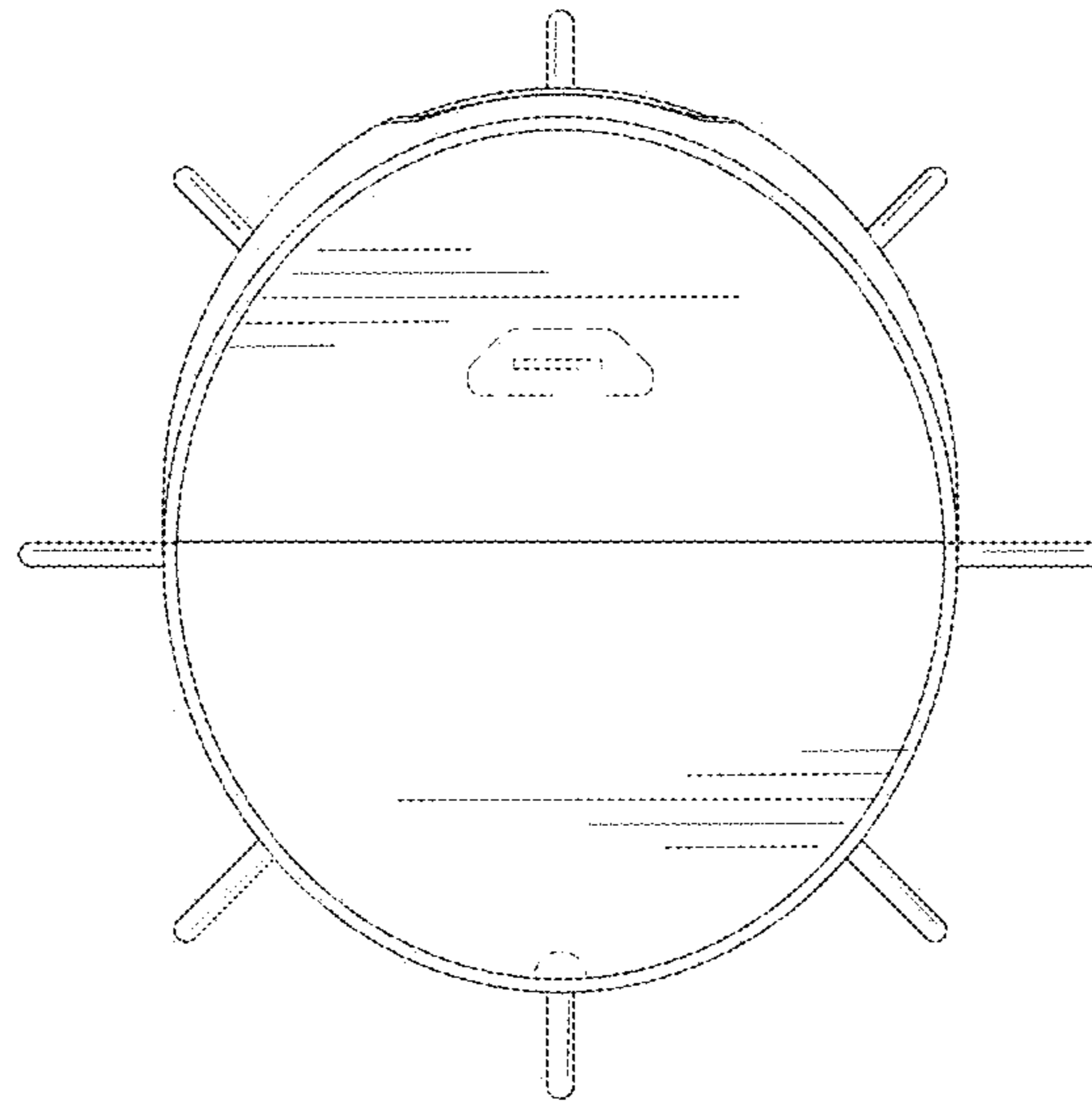


FIG. 8