



US00D984199S

(12) **United States Design Patent**
Moon et al.

(10) **Patent No.:** **US D984,199 S**
(45) **Date of Patent:** **** Apr. 25, 2023**

- (54) **KITCHEN FOOD WASTE DISPOSER**
- (71) Applicant: **LG ELECTRONICS INC.**, Seoul (KR)
- (72) Inventors: **Yihyun Moon**, Seoul (KR); **Jaeyoung Kim**, Seoul (KR); **Hyunju Kim**, Seoul (KR); **Hye Hyun Kim**, Seoul (KR); **Jaehoon Cho**, Seoul (KR); **Jooheon Oh**, Seoul (KR)
- (73) Assignee: **LG ELECTRONICS INC.**, Seoul (KR)
- (**) Term: **15 Years**
- (21) Appl. No.: **29/738,256**
- (22) Filed: **Jun. 16, 2020**
- (30) **Foreign Application Priority Data**
Dec. 17, 2019 (KR) 30-2019-0061381
- (51) **LOC (14) Cl.** **31-00**
- (52) **U.S. Cl.**
USPC **D7/375**
- (58) **Field of Classification Search**
USPC D7/372, 375-376, 381-385
CPC A47B 47/025; A47K 11/026; A61L 11/00; B02C 13/00; B02C 13/02; B02C 13/04; B02C 13/06; B02C 13/2804; B02C 18/00; B02C 18/0076; B02C 18/0084; B02C 18/0092; B02C 2013/2808; B02C 2013/2812; B02C 25/00; B30B 9/30; B30B 9/3003; B30B 9/3017; B30B 9/3064; B30B 13/00; E03C 1/26; E03C 1/2665; E03C 1/28; E03C 1/30; E03C 1/302; E03C 1/304

See application file for complete search history.

- (56) **References Cited**
U.S. PATENT DOCUMENTS
- 3,363,847 A * 1/1968 Joa E03C 1/2665
241/606
- 3,452,368 A * 7/1969 Couper A47K 11/026
53/567
- 4,050,373 A * 9/1977 Hellmann B30B 9/30
100/255
- 4,638,730 A * 1/1987 Bonacorsi B30B 9/3003
248/101
- 4,781,111 A * 11/1988 Chesnut B30B 9/3064
100/229 A
- 2004/0251339 A1 * 12/2004 Strutz E03C 1/2665
241/46.013
- 2005/0126405 A1 * 6/2005 Imperato B30B 9/3017
100/240
- 2006/0196979 A1 * 9/2006 Hanson B02C 25/00
241/101.3

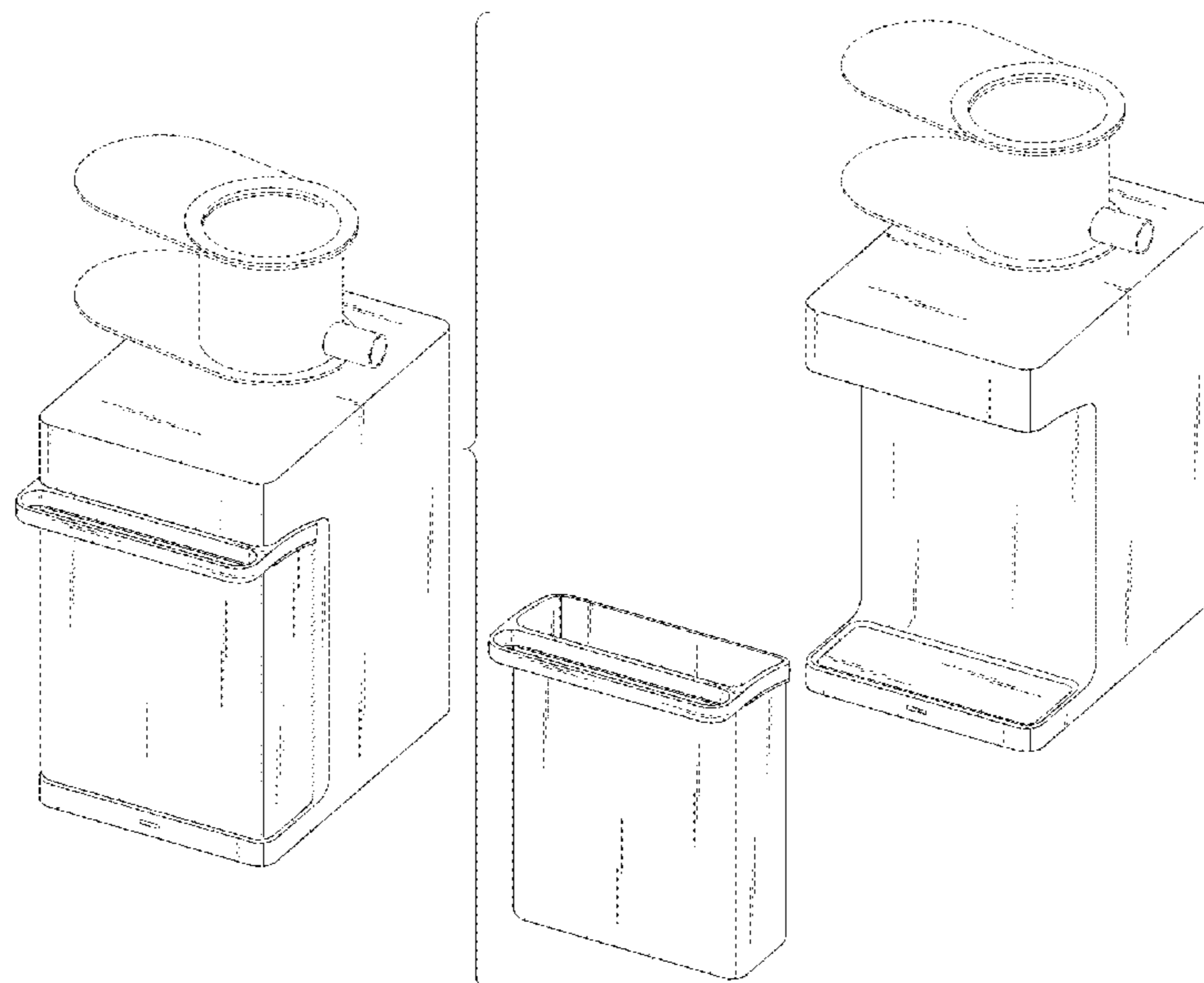
(Continued)

Primary Examiner — Ricky Pham
(74) *Attorney, Agent, or Firm* — Birch, Stewart, Kolasch & Birch, LLP

(57) **CLAIM**
We claim the ornamental design for a kitchen food waste disposer, as shown and described.

DESCRIPTION
FIG. 1 is a perspective view of a kitchen food waste disposer showing our new design;
FIG. 2 is a front elevation view thereof;
FIG. 3 is a rear elevation view thereof;
FIG. 4 is a left-side elevation view thereof;
FIG. 5 is a right-side elevation view thereof;
FIG. 6 is a top plan view thereof;
FIG. 7 is a bottom plan view thereof;
FIG. 8 is perspective view in a disassembled state thereof; and,
FIG. 9 is a perspective view in a state of use thereof.
The parts shown by means of broken lines in the drawing figures are not part of the claimed design.

1 Claim, 9 Drawing Sheets



(56)

References Cited

U.S. PATENT DOCUMENTS

2009/0140616 A1* 6/2009 Fox A47B 47/025
312/211
2010/0307350 A1* 12/2010 Cunningham B30B 13/00
224/400

* cited by examiner

FIG. 1

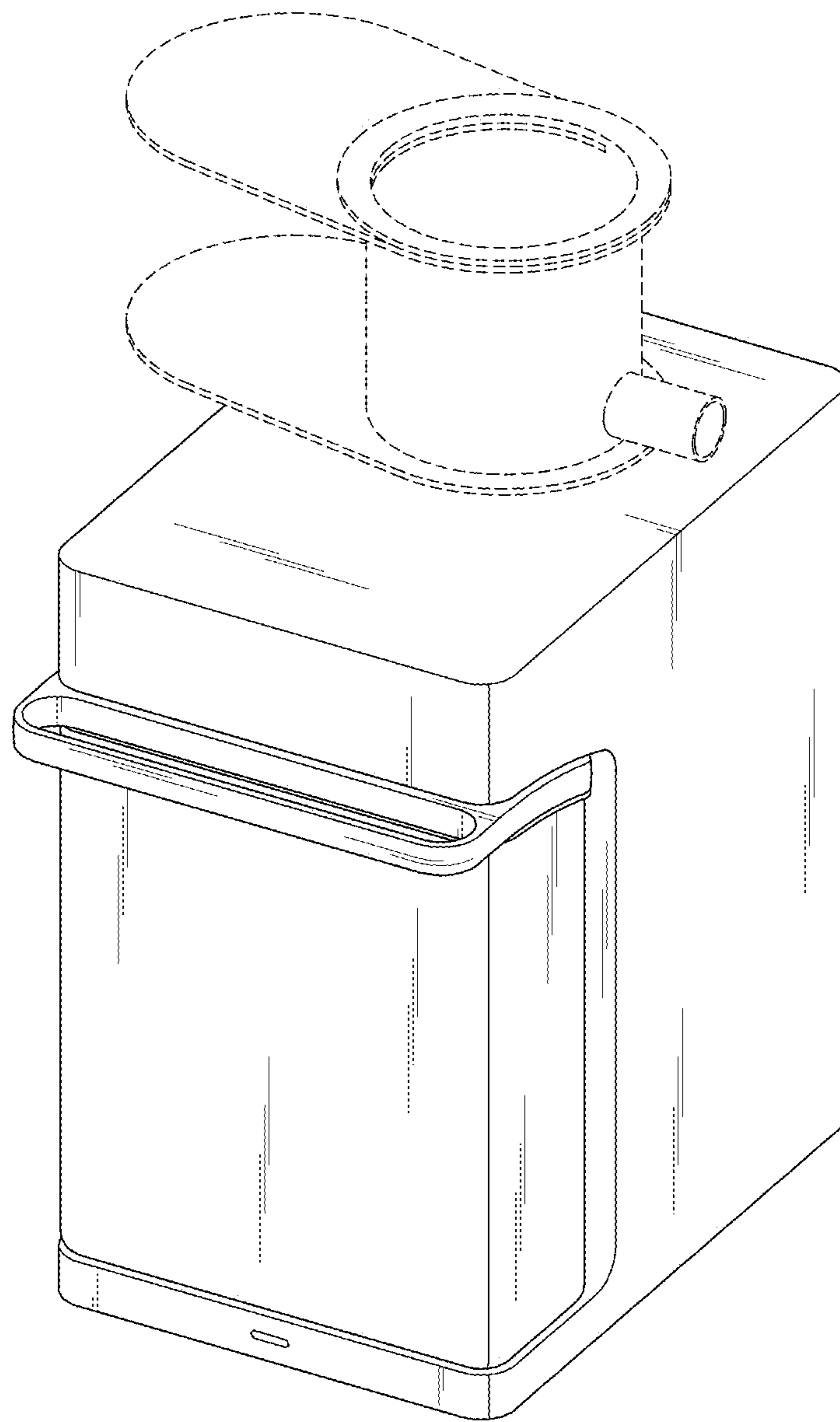


FIG. 2

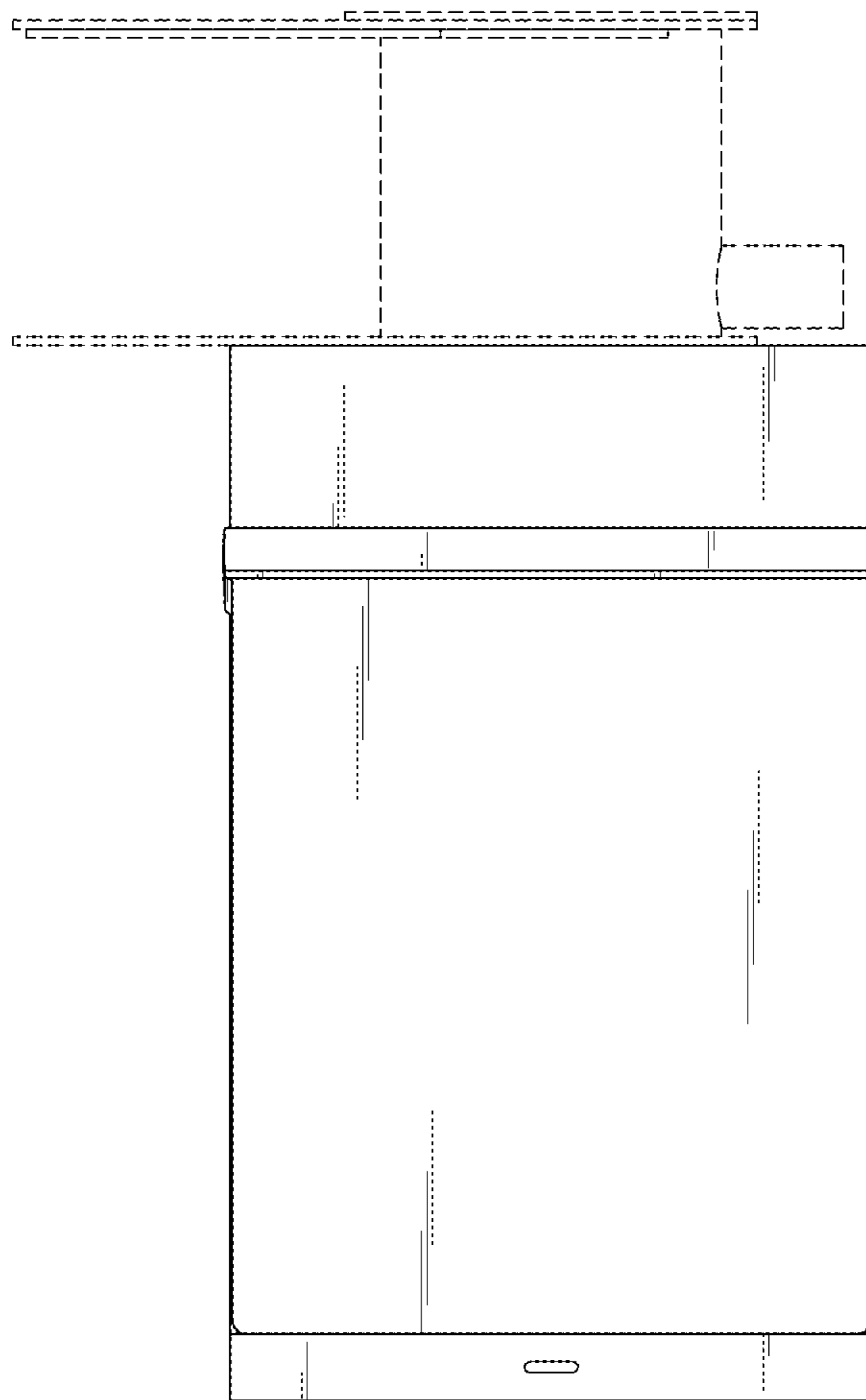


FIG. 3

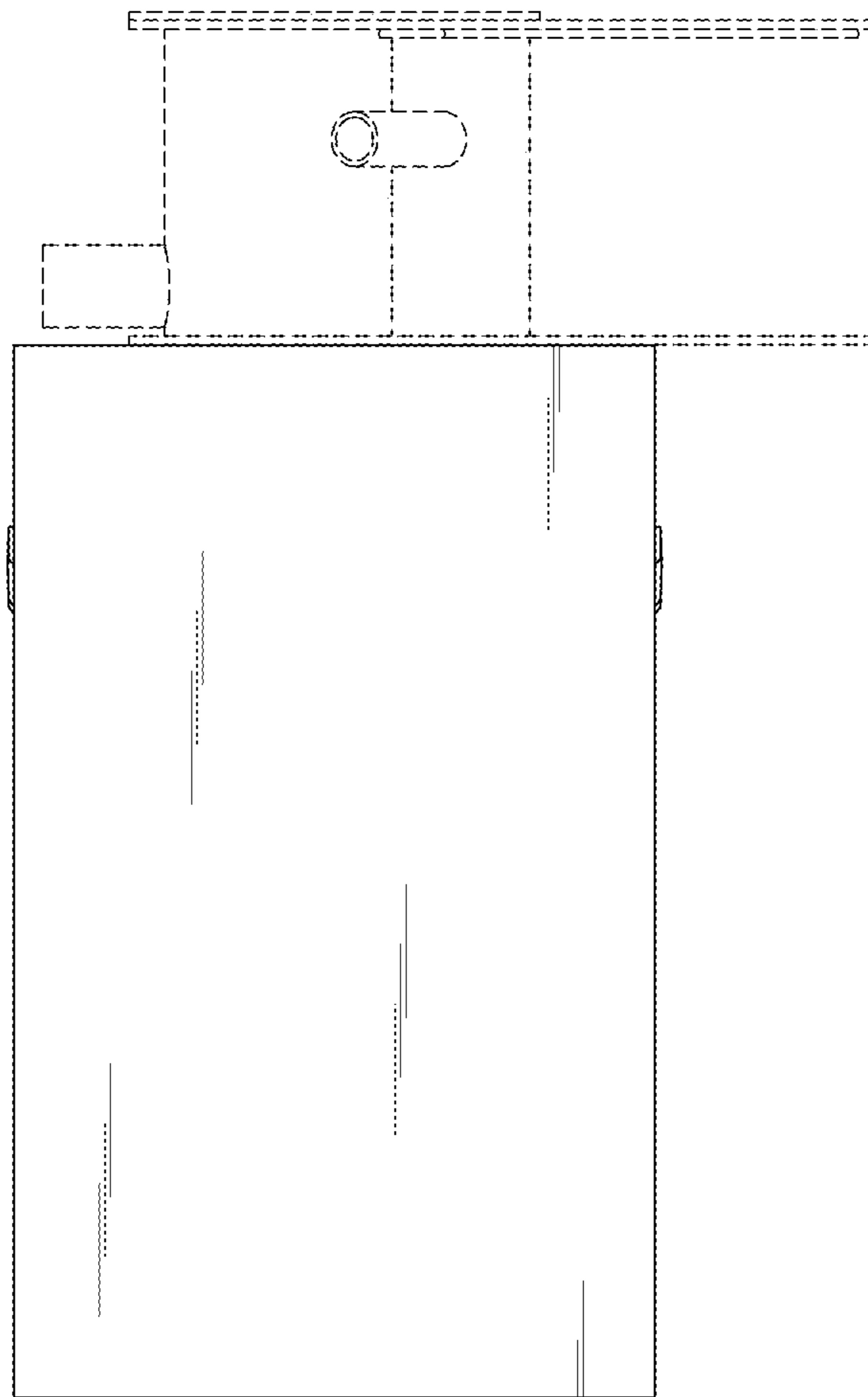


FIG. 4

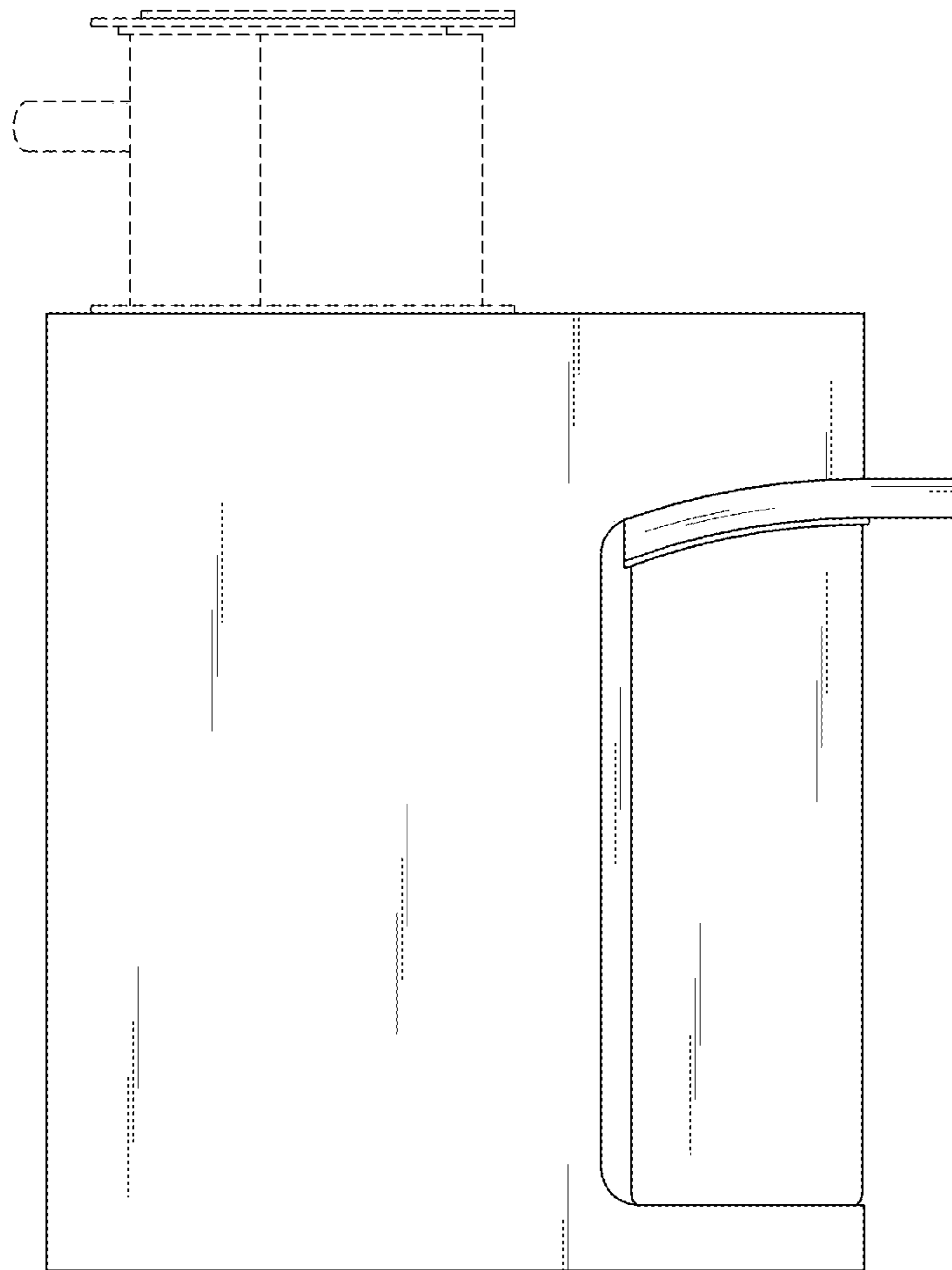


FIG. 5

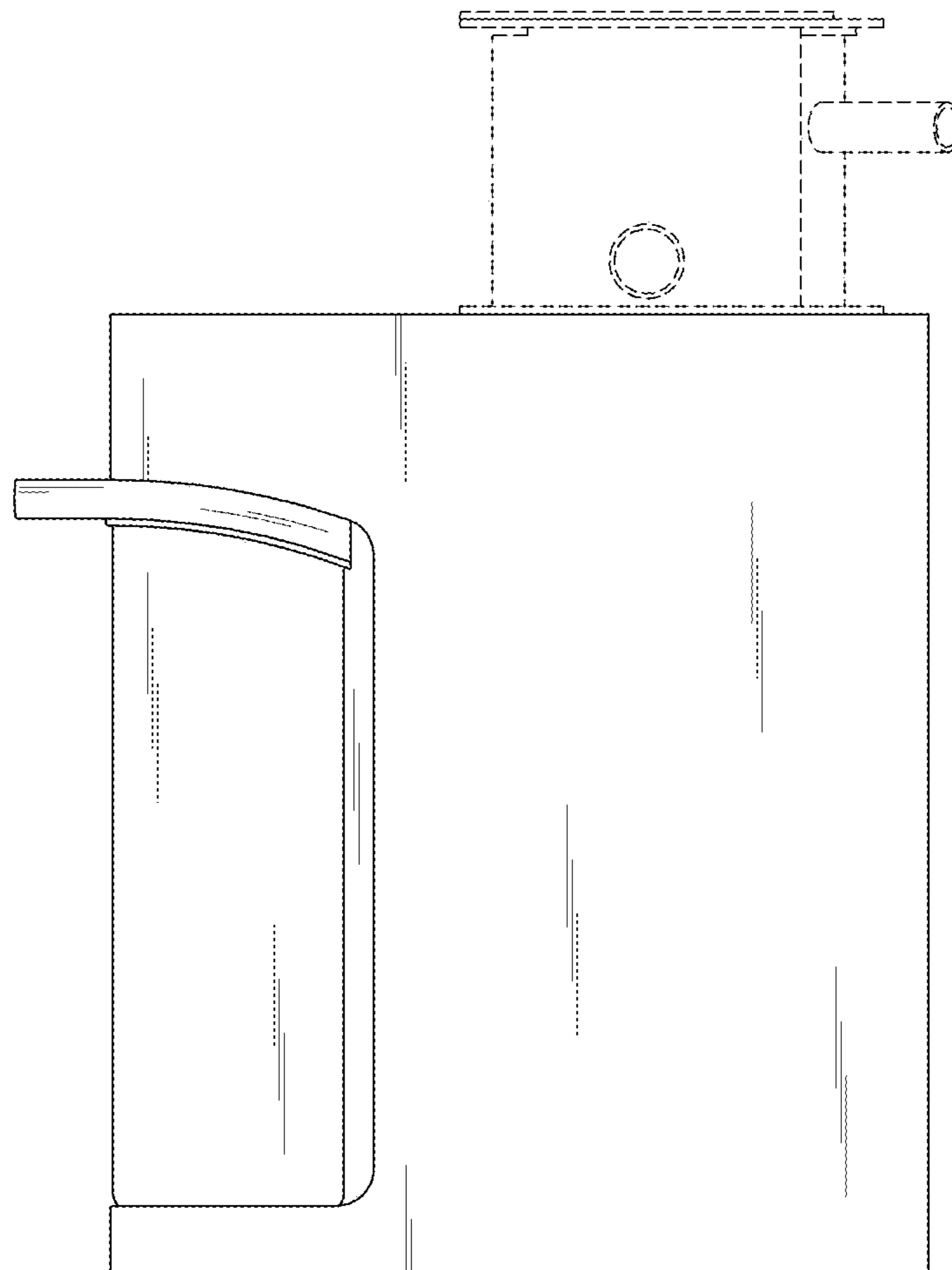


FIG. 6

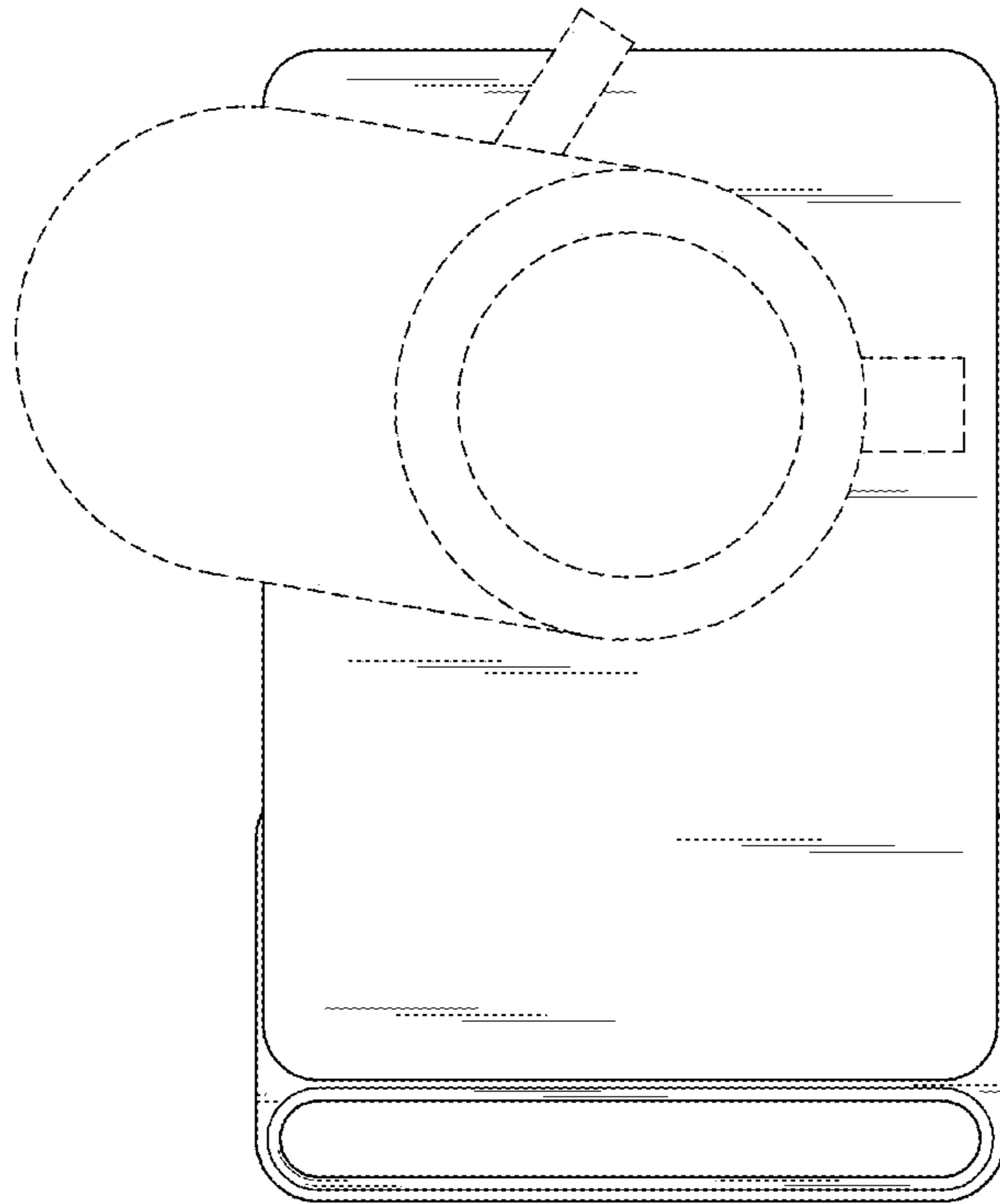


FIG. 7

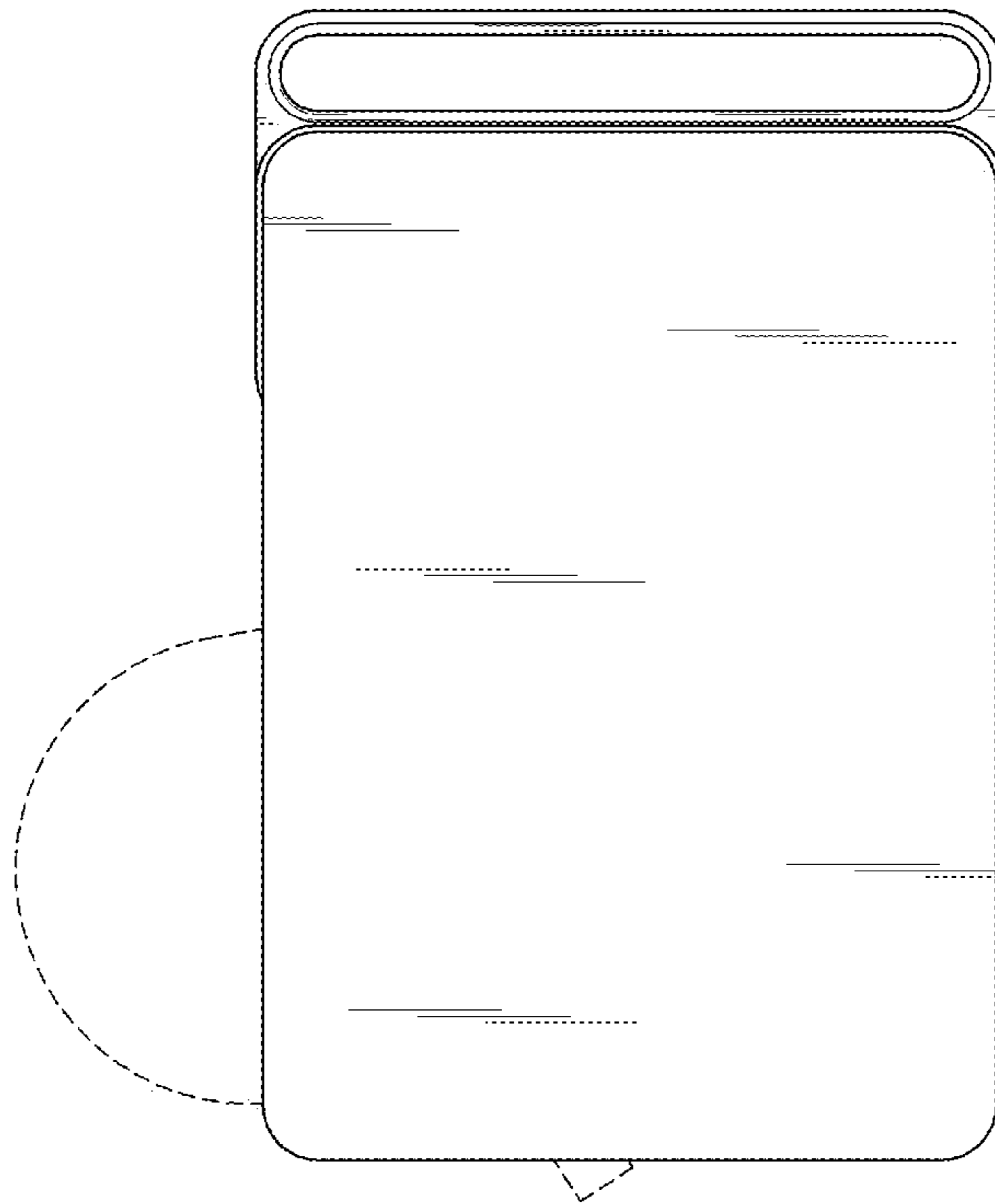


FIG. 8

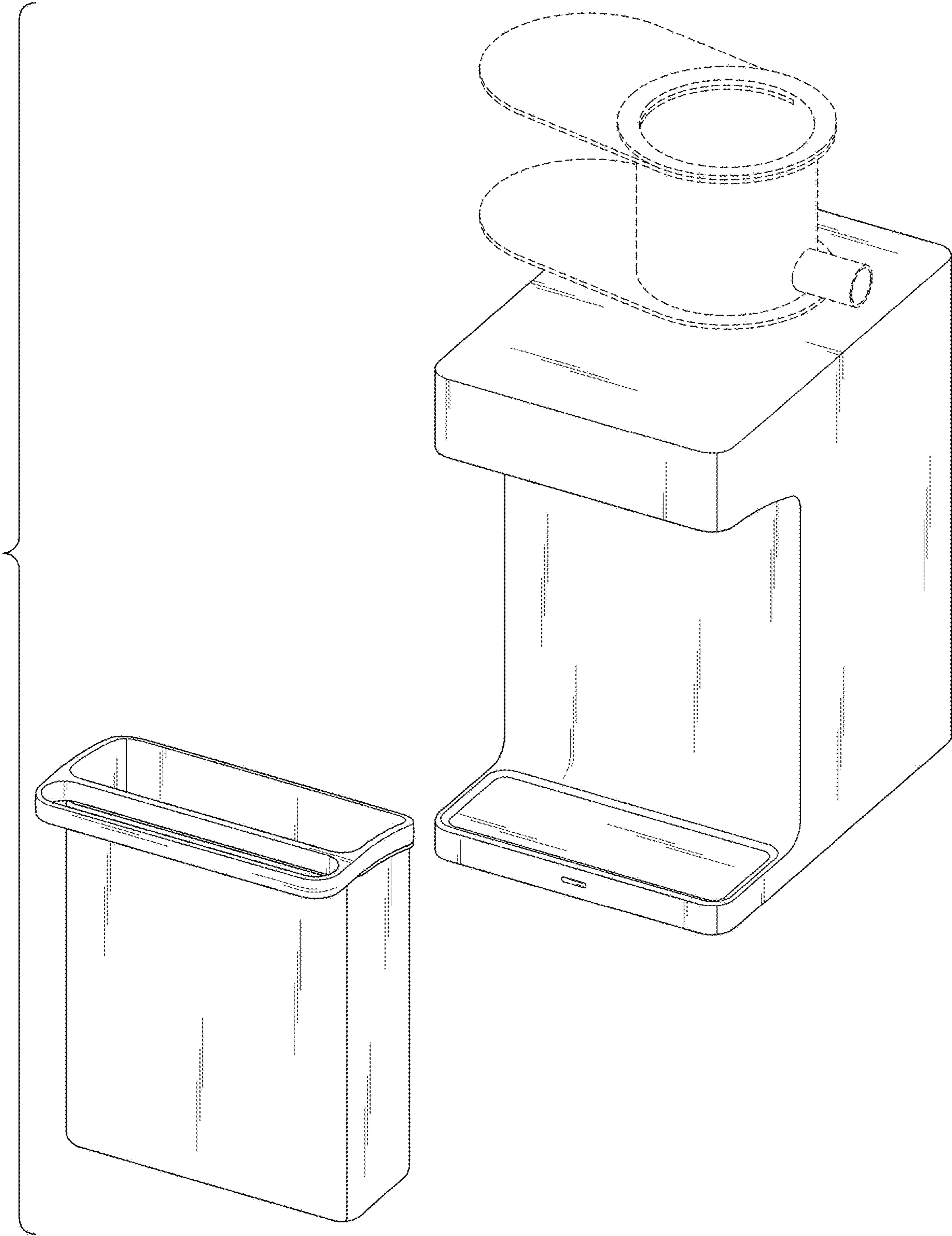


FIG. 9

