



US00D984198S

(12) **United States Design Patent**
Kim et al.

(10) **Patent No.:** **US D984,198 S**
(45) **Date of Patent:** **** Apr. 25, 2023**

(54) **GRINDER FOR DRIP COFFEE MACHINE**

(71) Applicant: **LG ELECTRONICS INC.**, Seoul (KR)

(72) Inventors: **Byeongkook Kim**, Seoul (KR); **Woonkyu Seo**, Seoul (KR); **Hanjin Jung**, Seoul (KR); **Hyun Choi**, Seoul (KR)

(73) Assignee: **LG ELECTRONICS INC.**, Seoul (KR)

(**) Term: **15 Years**

(21) Appl. No.: **29/798,343**

(22) Filed: **Jul. 7, 2021**

(30) **Foreign Application Priority Data**

Jan. 12, 2021 (KR) 30-2021-0001573

(51) **LOC (14) Cl.** **31-00**

(52) **U.S. Cl.**
USPC **D7/373**

(58) **Field of Classification Search**
USPC D7/372-373, 300, 589, 367, 378, 414, D7/397, 412, 399-400; D30/158; D27/195
CPC A24F 5/00; A24F 1/30; A24F 1/00; A24F 5/10; A24B 7/04; A47J 42/00; A47J 42/08; A47J 42/50; A47J 42/04; A47J 42/34; A47J 42/24; A47J 42/46; A47J 42/36; A47J 42/06; A47J 42/42; A47J 31/42; A47J 2201/00

See application file for complete search history.

(56) **References Cited**

U.S. PATENT DOCUMENTS

D796,889 S * 9/2017 Laskowski D7/321
D900,530 S * 11/2020 Kim D7/372

D918,971 S * 5/2021 Reyes D15/124
D920,031 S * 5/2021 Wei D7/372
D933,416 S * 10/2021 Wen D7/381
D945,226 S * 3/2022 Li D27/194
D956,463 S * 7/2022 Kim D7/311

(Continued)

OTHER PUBLICATIONS

Krups Grind and Brew Auto-Start Maker with Builtin Burr Coffee Grinder, 10-Cups, Black, earliest available Nov. 2, 2017. Retrieved online from: <https://www.walmart.com/ip/KRUPS-Grind-and-Brew-Auto-Start-Maker-with-Builtin-Burr-Coffee-Grinder-10-Cups-Black/169247973> on Jan. 4, 2023.*

(Continued)

Primary Examiner — Shannon W Morgan
Assistant Examiner — Terilyn Nicole Davis
(74) *Attorney, Agent, or Firm* — Birch, Stewart, Kolasch & Birch, LLP

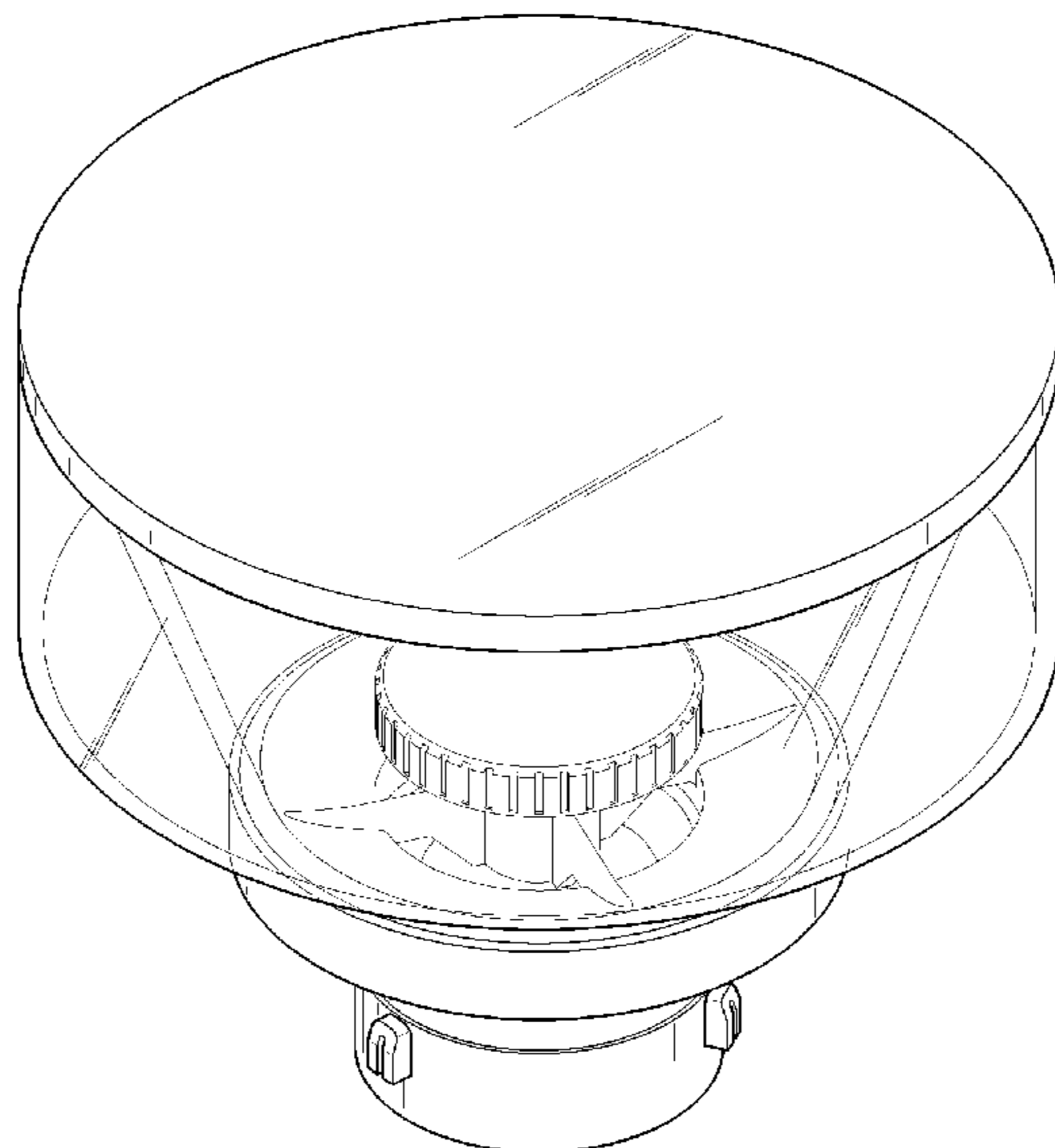
(57) **CLAIM**

We claim the ornamental design for a grinder for drip coffee machine, as shown and described.

DESCRIPTION

FIG. 1 is a front perspective view of a grinder for drip coffee machine showing a new design;
FIG. 2 is a bottom perspective view thereof;
FIG. 3 is a front view thereof;
FIG. 4 is a rear view thereof;
FIG. 5 is a left-side elevation view thereof;
FIG. 6 is a right-side elevation view thereof;
FIG. 7 is a top plan view thereof;
FIG. 8 is a bottom plan view thereof;
FIG. 9 is a disassembled perspective view thereof; and,
FIG. 10 is a perspective view showing a state of use thereof. The broken lines in FIG. 10 are for environment purpose only and form no part of the claimed design.

1 Claim, 10 Drawing Sheets



(56)

References Cited

U.S. PATENT DOCUMENTS

D960,625 S * 8/2022 Kim D7/311
D964,082 S * 9/2022 de Gooijer D7/309
D969,571 S * 11/2022 Folmann D7/679
2009/0057451 A1* 3/2009 Tang A47J 42/46
241/146
2009/0173236 A1* 7/2009 Wang A47J 31/42
99/289 R
2010/0199849 A1* 8/2010 Wu A47J 31/057
99/300
2020/0077714 A1* 3/2020 Dong B02C 7/17
2020/0260782 A1* 8/2020 Wyporski A47J 42/24
2021/0361111 A1* 11/2021 Zhao A47J 31/42

OTHER PUBLICATIONS

Krups KM7000 Grind-and-Brew 10-Cup Coffeemaker first available: unknown, retrieved online from: <https://www.samsclub.com/p/krups-grind-and-brew-coffee-maker-km7000/prod18290005> on Jan. 4, 2023.*

Café Bellissimo Semi Automatic Espresso Machine + Milk Frother |, Smart Home | Built-In Bean Grinder, 15-Bar Pump & Water Reservoir | Matte White first available Mar. 1, 2022, retrieved online from <https://www.amazon.com/Caf%C3%A9-Bellissimo-Automatic-Connected-Essentials/dp/B09TQ1Z8SL> on Jan. 4, 2023.*

* cited by examiner

FIG. 1

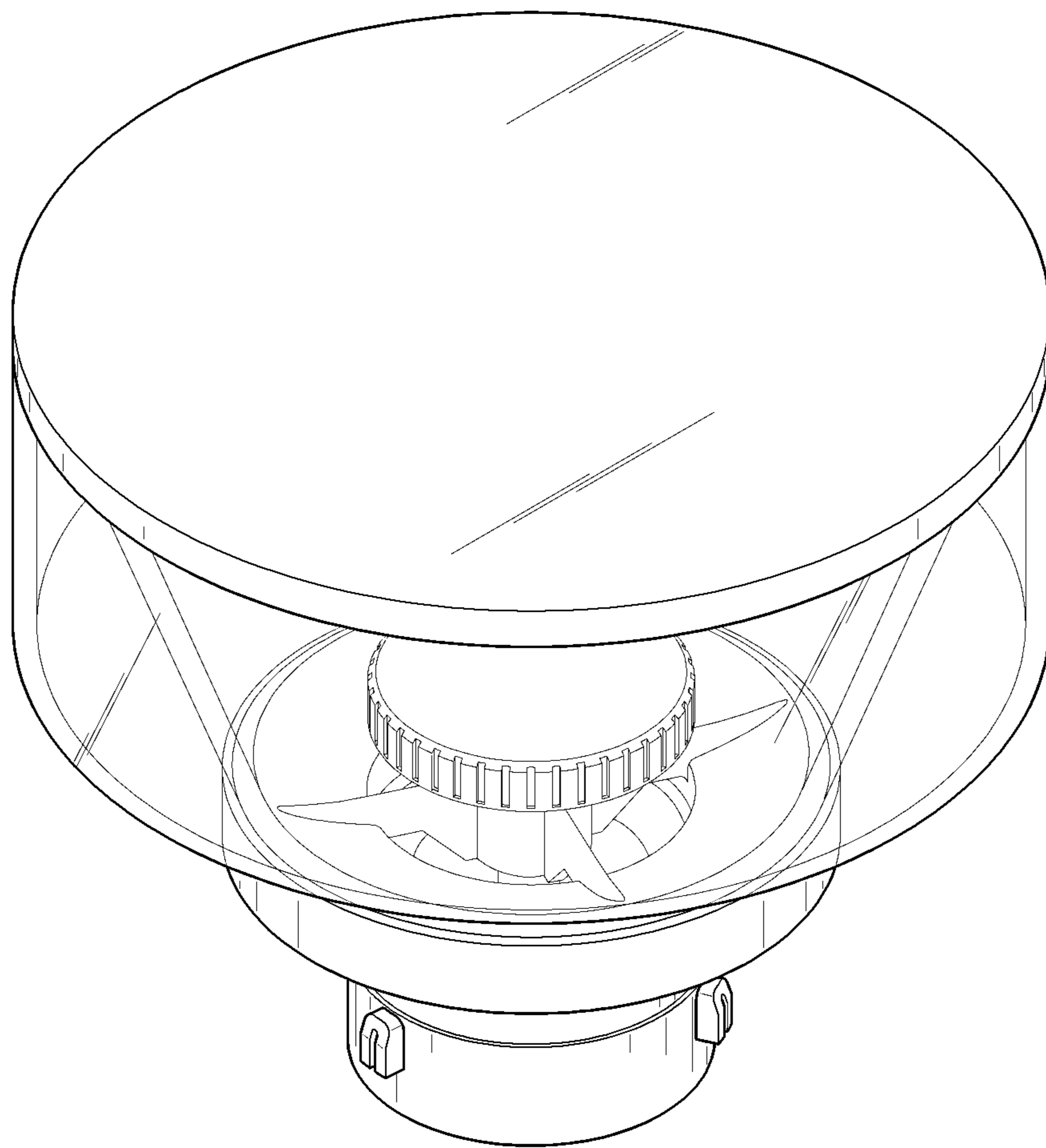


FIG. 2

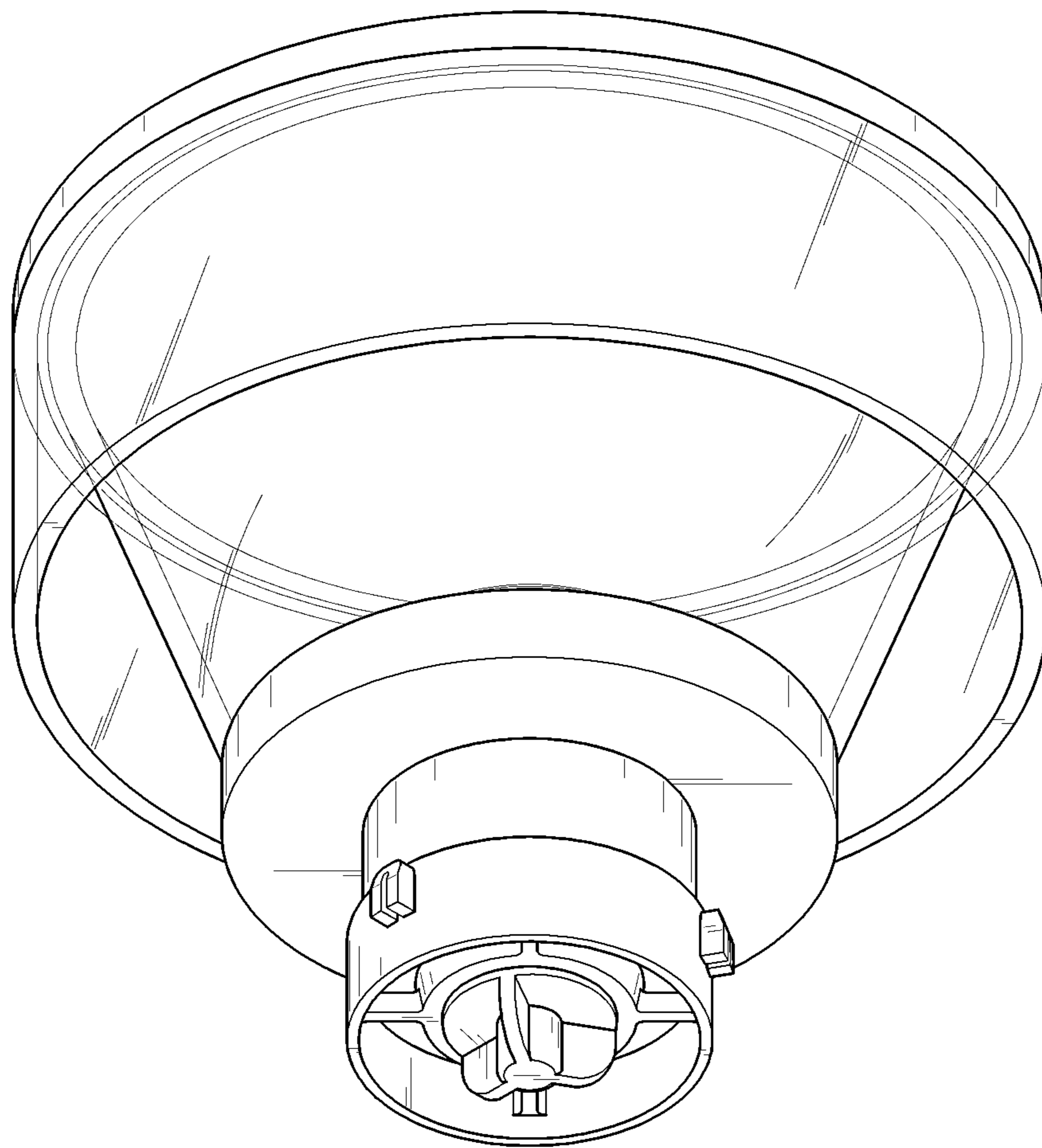


FIG. 3

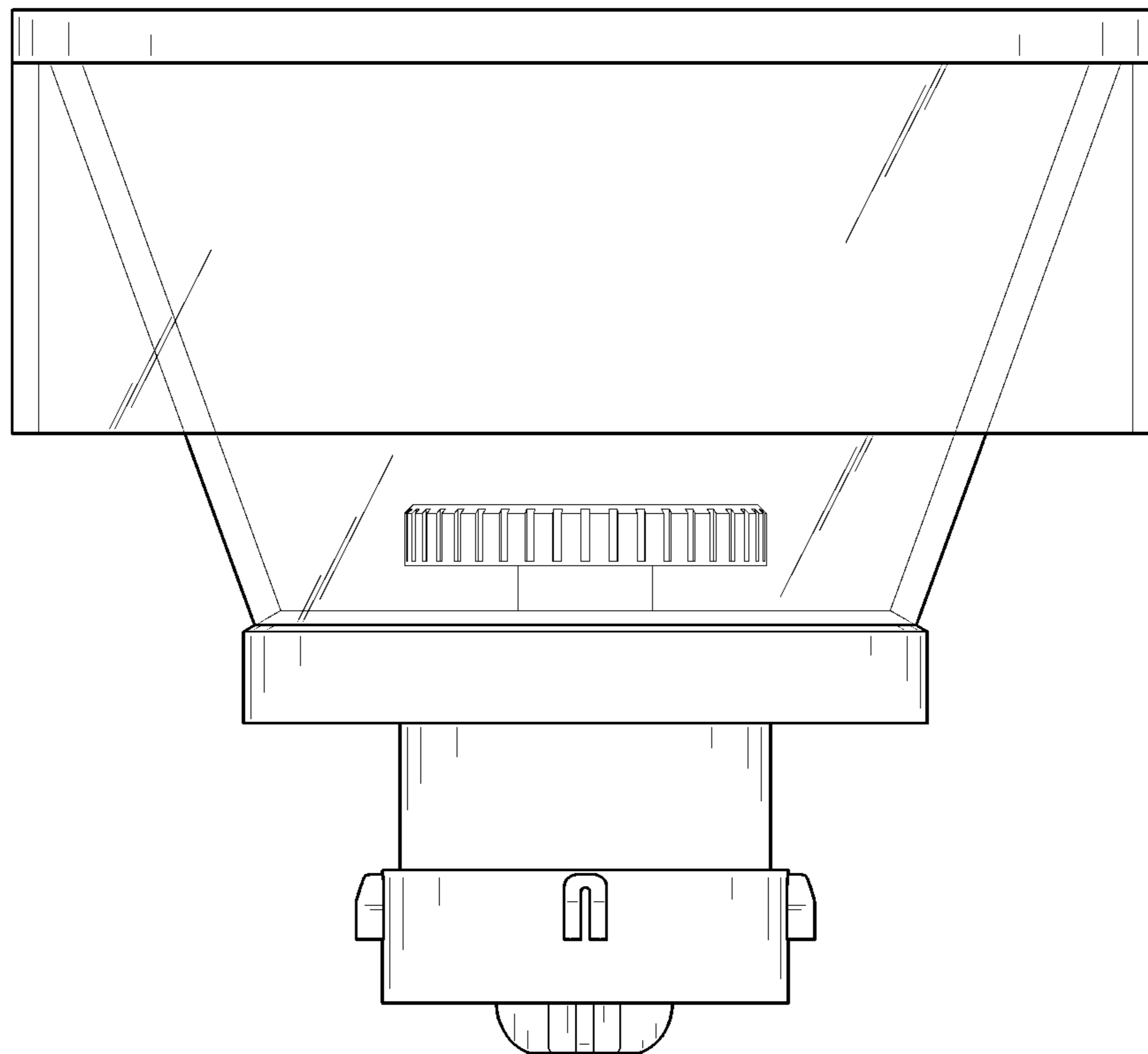


FIG. 4

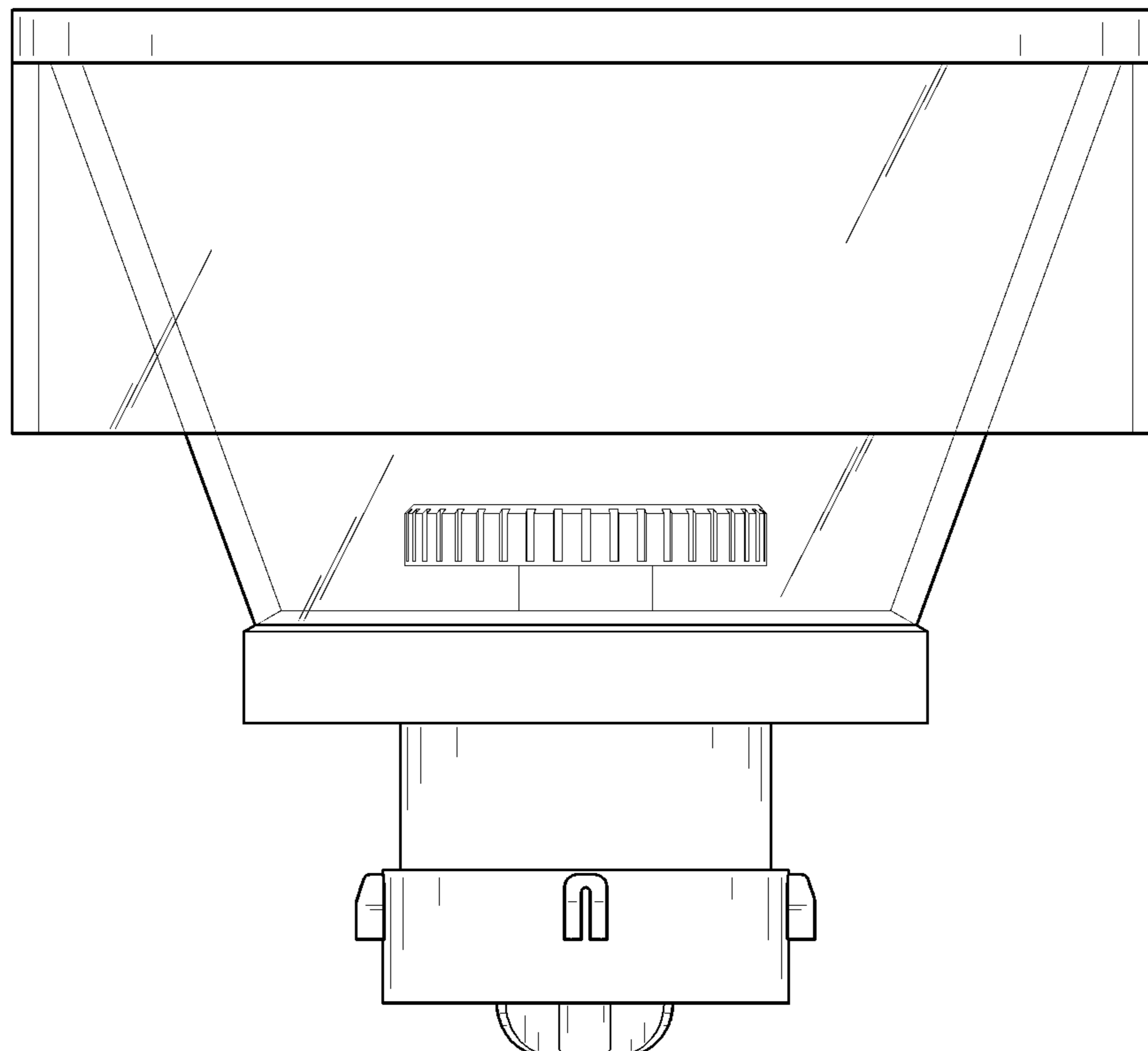


FIG. 5

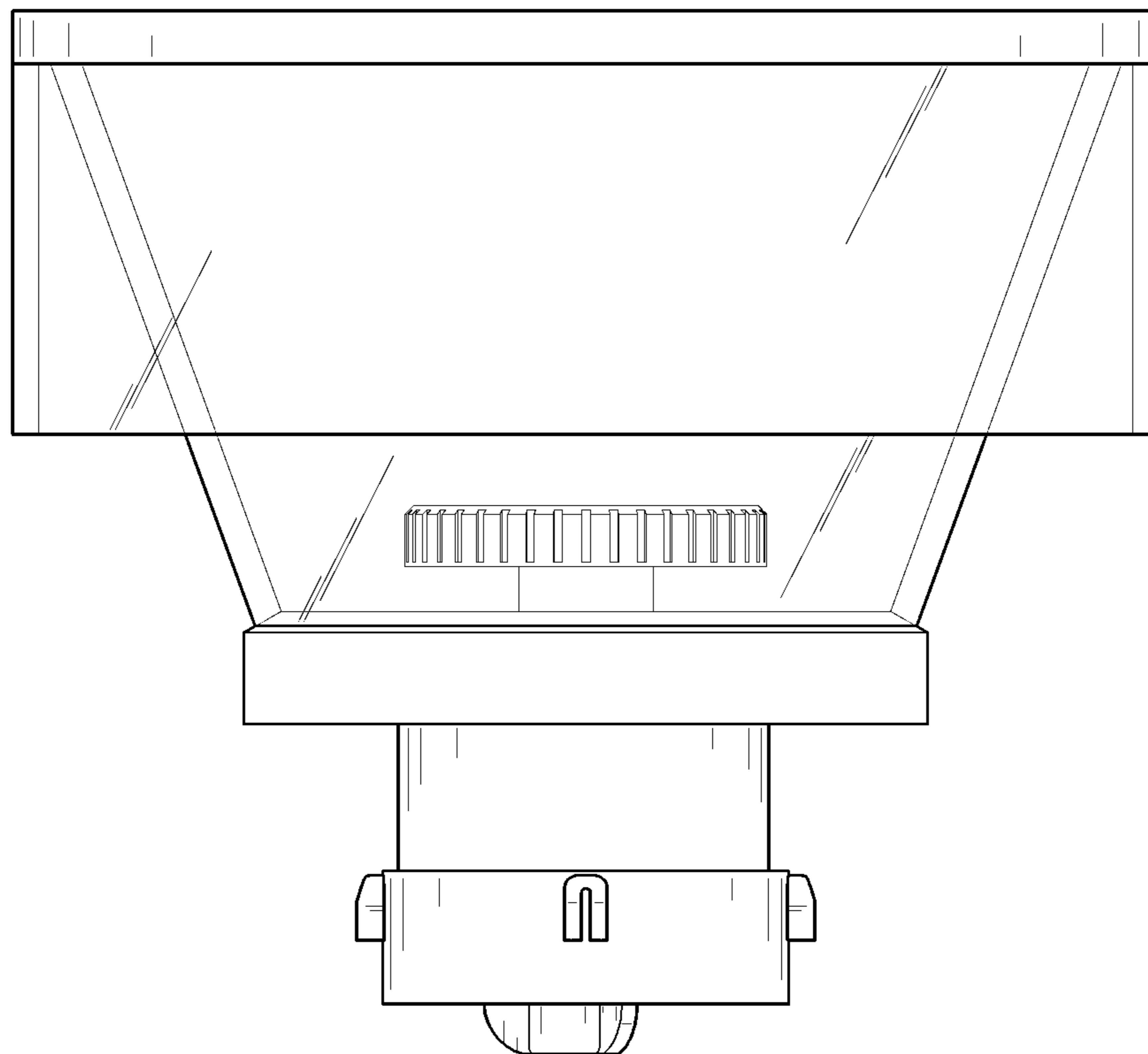


FIG. 6

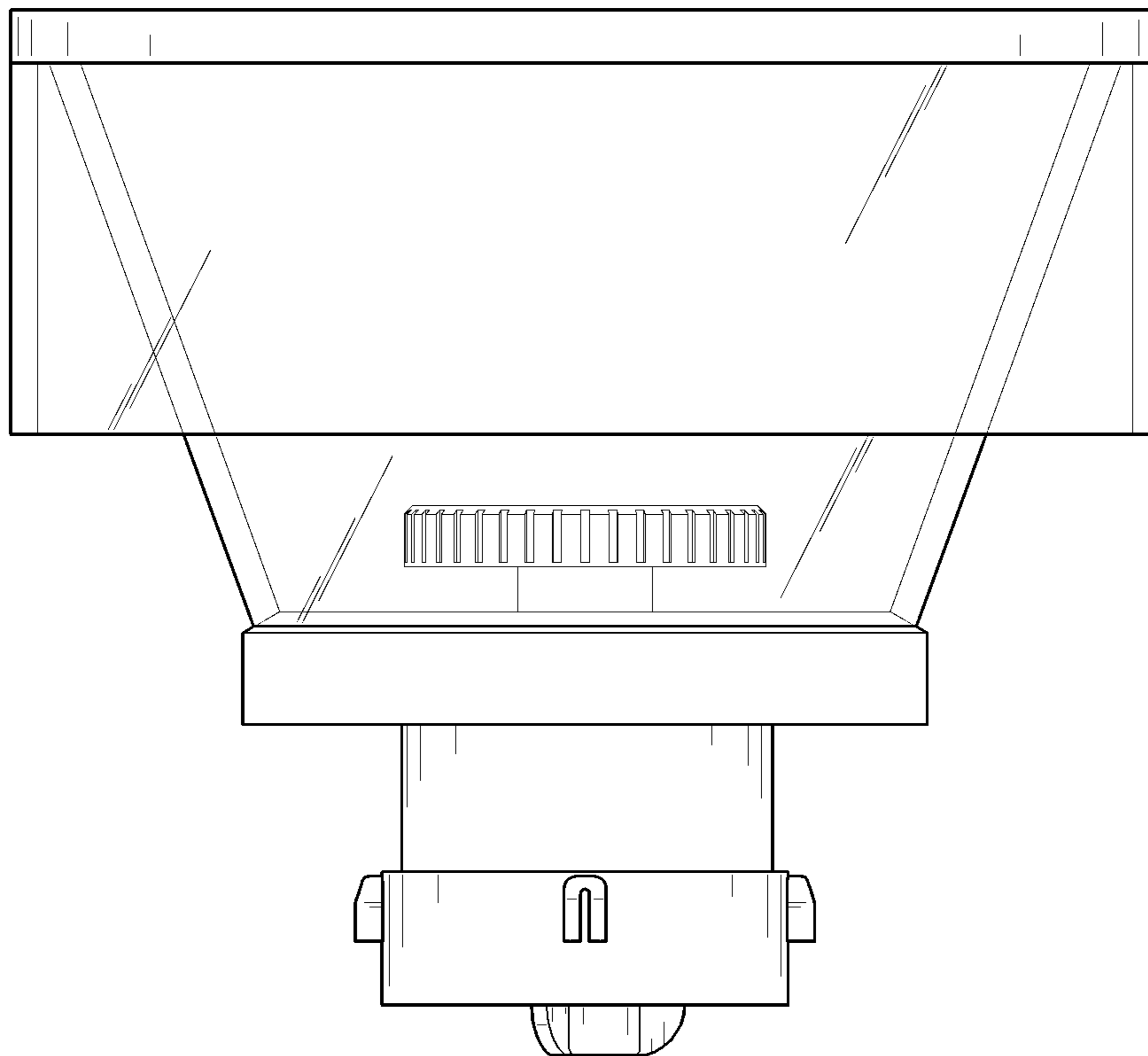


FIG. 7

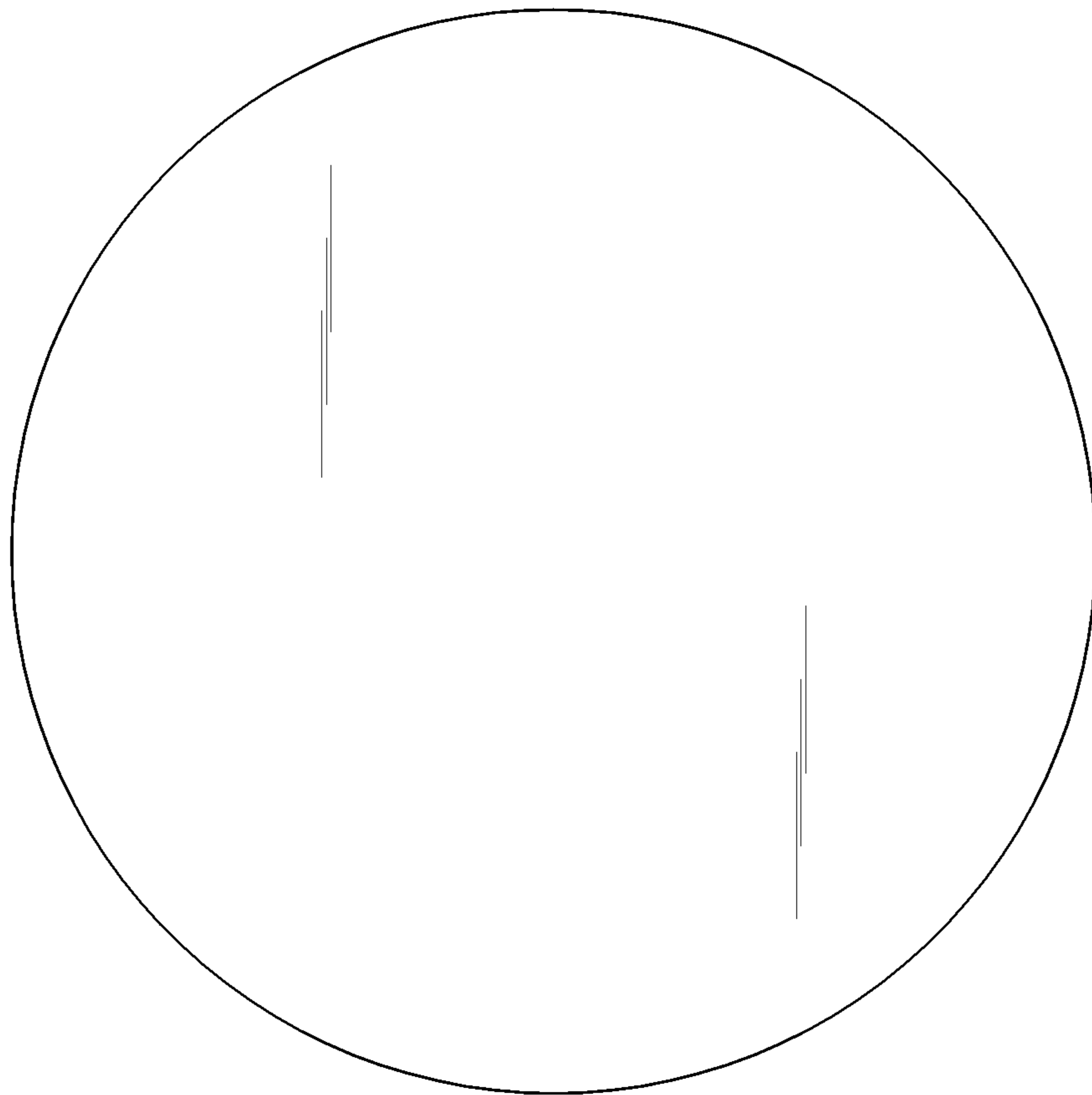


FIG. 8

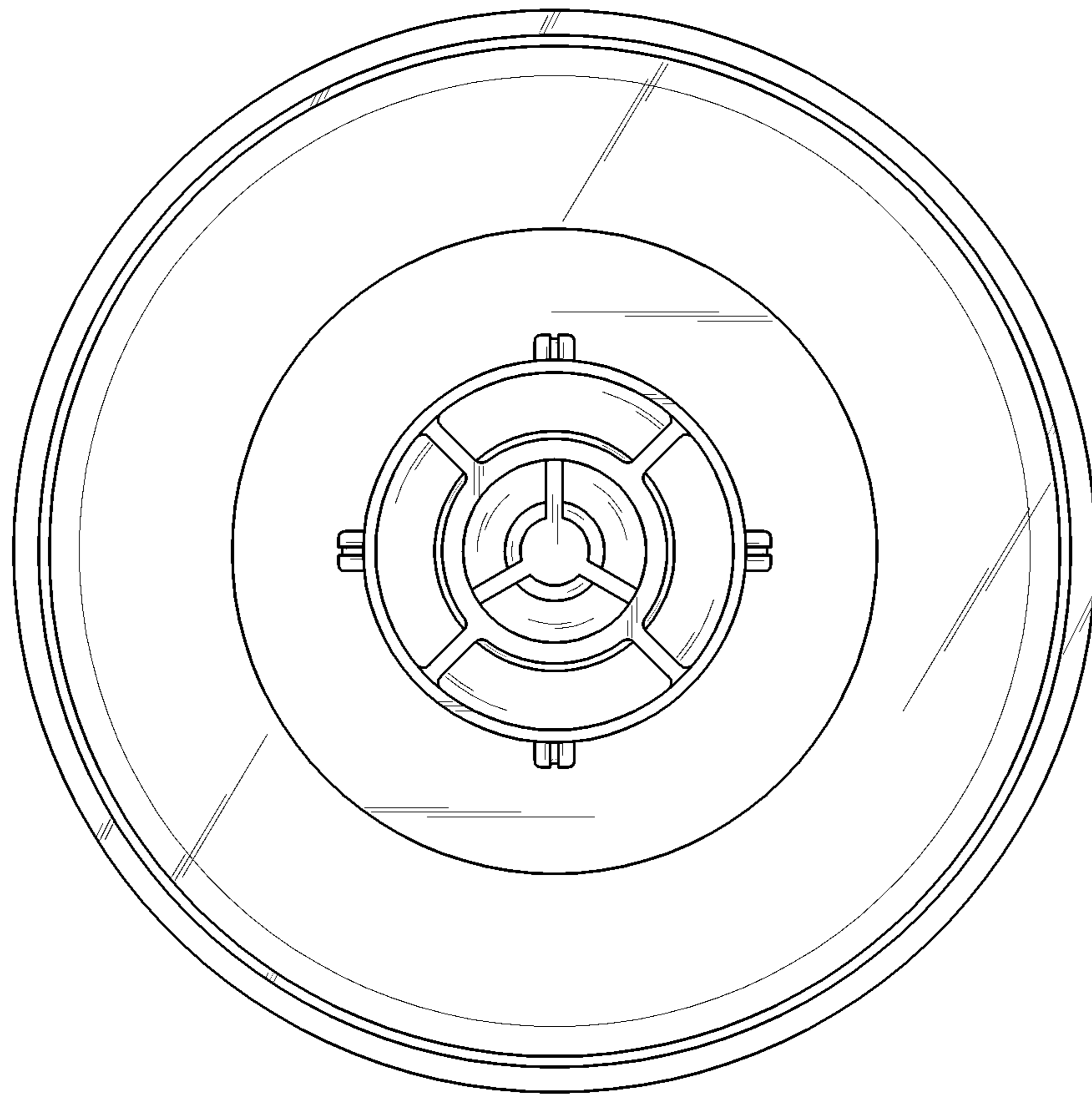


FIG. 9

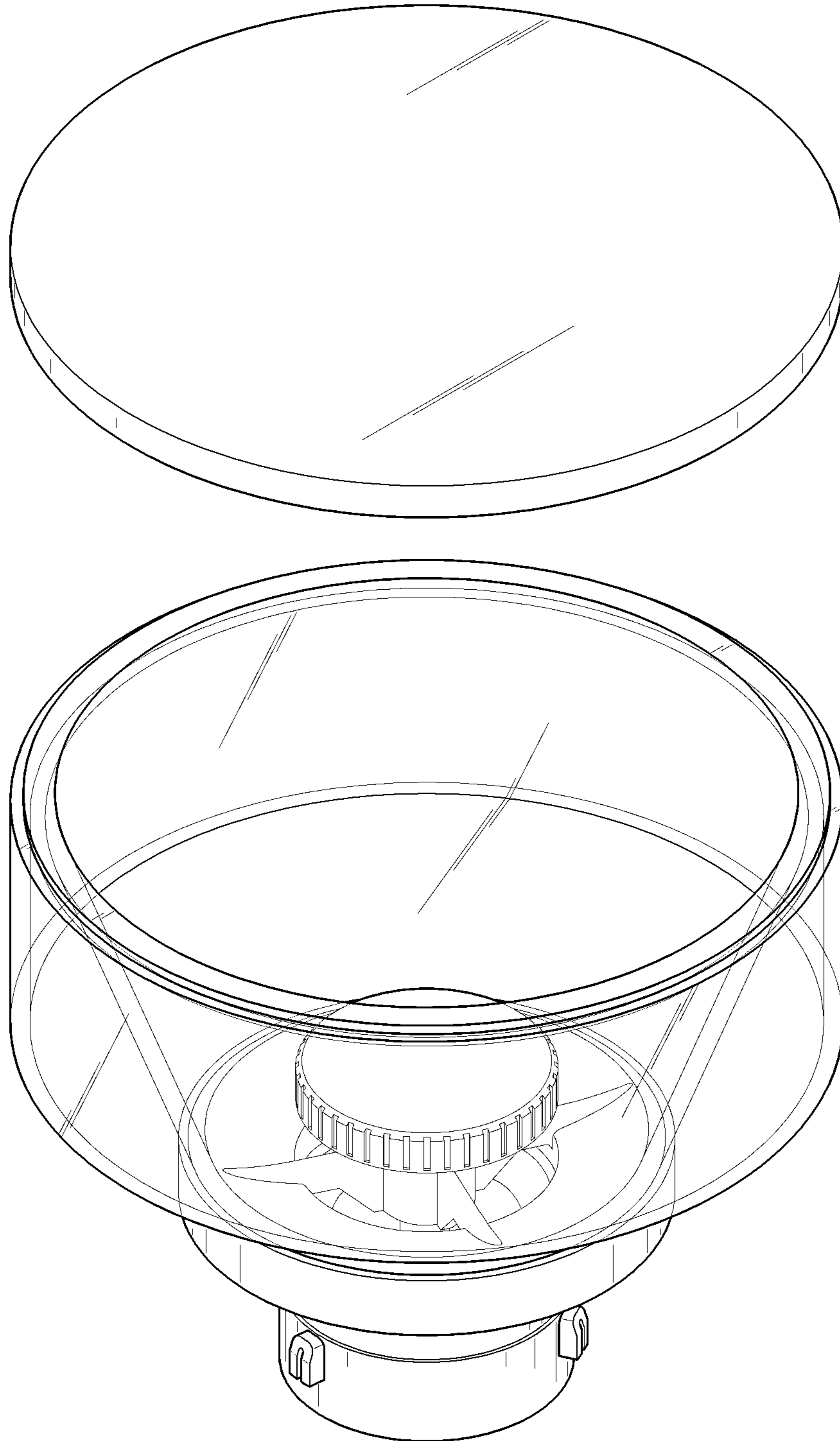


FIG. 10

