



US00D984196S

(12) **United States Design Patent** (10) **Patent No.:** **US D984,196 S**
Wang (45) **Date of Patent:** **** Apr. 25, 2023**

(54) **AIR FRYER LINER**

(71) Applicant: **Suzhou Wanjiade Technology Co., Ltd.**, Suzhou (CN)

(72) Inventor: **Minlong Wang**, Suzhou (CN)

(73) Assignee: **Suzhou Wanjiade Technology Co., Ltd.**, Suzhou (CN)

(**) Term: **15 Years**

(21) Appl. No.: **29/884,126**

(22) Filed: **Feb. 8, 2023**

(51) **LOC (14) Cl.** **07-02**

(52) **U.S. Cl.**
USPC **D7/354**

(58) **Field of Classification Search**
USPC D7/323, 350.1, 350.3, 354–361
CPC A23L 1/01; A23L 1/0107; A23L 1/0114;
A47J 27/00; A47J 27/004; A47J 27/08;
A47J 27/09; A47J 27/092; A47J 27/12;
A47J 36/025; A47J 36/06; A47J 36/08;
A47J 36/10; A47J 36/12; A47J 36/18;
A47J 36/20; A47J 36/22; A47J 36/165;
A47J 36/321; A47J 36/2483; A47J 37/00;
A47J 37/0641; A47J 37/12; A47J 37/129;
A47J 37/1204; A47J 37/1209; A47J
37/1214; A47J 37/1219; A47J 37/1261;
A47J 37/1266; A47J 37/1285; A47J
37/1295; F24C 7/10; G07F 17/0064;
G07F 17/0078; G07F 17/0085; H05B
6/02; H05B 6/06; H05B 6/12

See application file for complete search history.

(56) **References Cited**

U.S. PATENT DOCUMENTS

6,498,323	B1 *	12/2002	Robertson, Jr.	A47J 27/004 219/548
7,015,429	B2 *	3/2006	Lau	A47J 37/1261 99/403
D788,518	S *	6/2017	Aggarwal	D7/360
D853,787	S	7/2019	Moon et al.	
10,856,687	B1 *	12/2020	Sargent	A47J 36/321
11,160,421	B2 *	11/2021	Prieto	A47J 37/1295
2011/0192830	A1 *	8/2011	Wilson	F24C 7/10 219/386
2016/0192808	A1 *	7/2016	Van Der Burg	A47J 37/0641 99/443 C
2016/0367061	A1 *	12/2016	Chou	A47J 36/2483
2018/0206664	A1 *	7/2018	Krasne	A47J 27/12
2018/0255971	A1 *	9/2018	Moon	A47J 37/0641
2018/0303285	A1 *	10/2018	Cheng	A47J 36/06

* cited by examiner

Primary Examiner — Ricky Pham

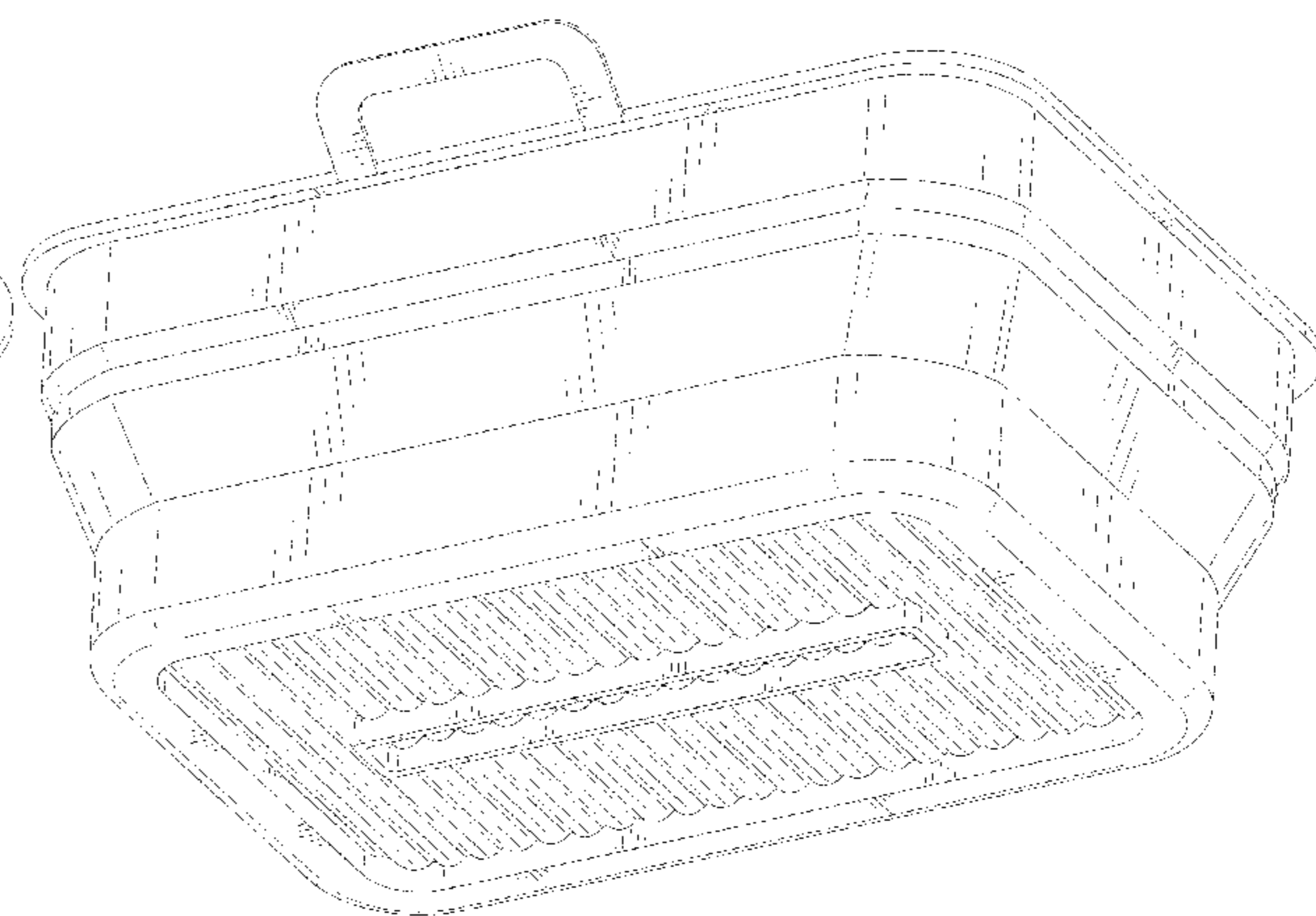
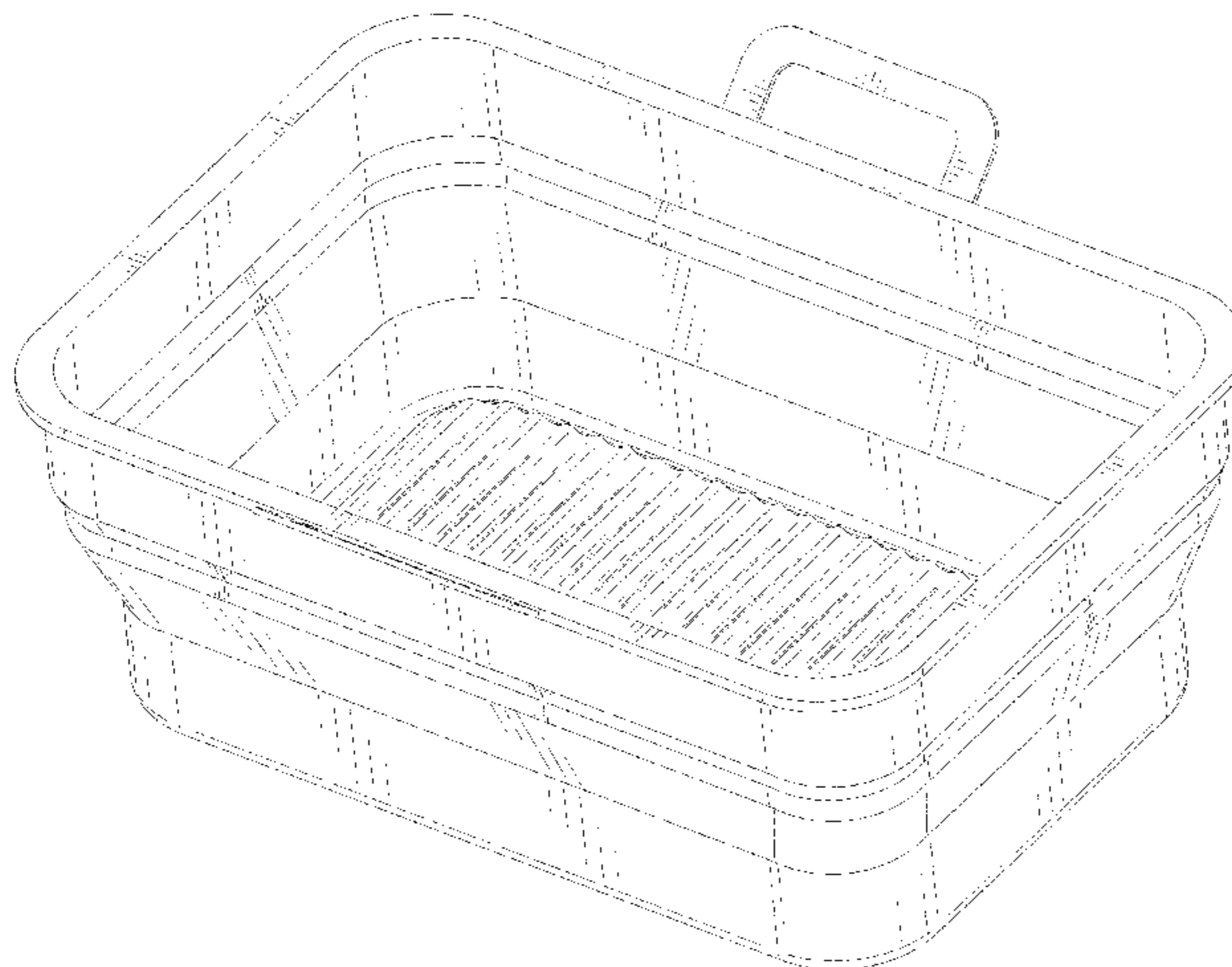
(57) **CLAIM**

The ornamental design for an air fryer liner, as shown and described.

DESCRIPTION

FIG. 1 is a top perspective view of an air fryer liner, showing my new design;
FIG. 2 is a bottom perspective view thereof;
FIG. 3 is a front view thereof;
FIG. 4 is a rear view thereof;
FIG. 5 is a left side view thereof;
FIG. 6 is a right side view thereof;
FIG. 7 is a top view thereof; and,
FIG. 8 is a bottom view thereof.

1 Claim, 8 Drawing Sheets



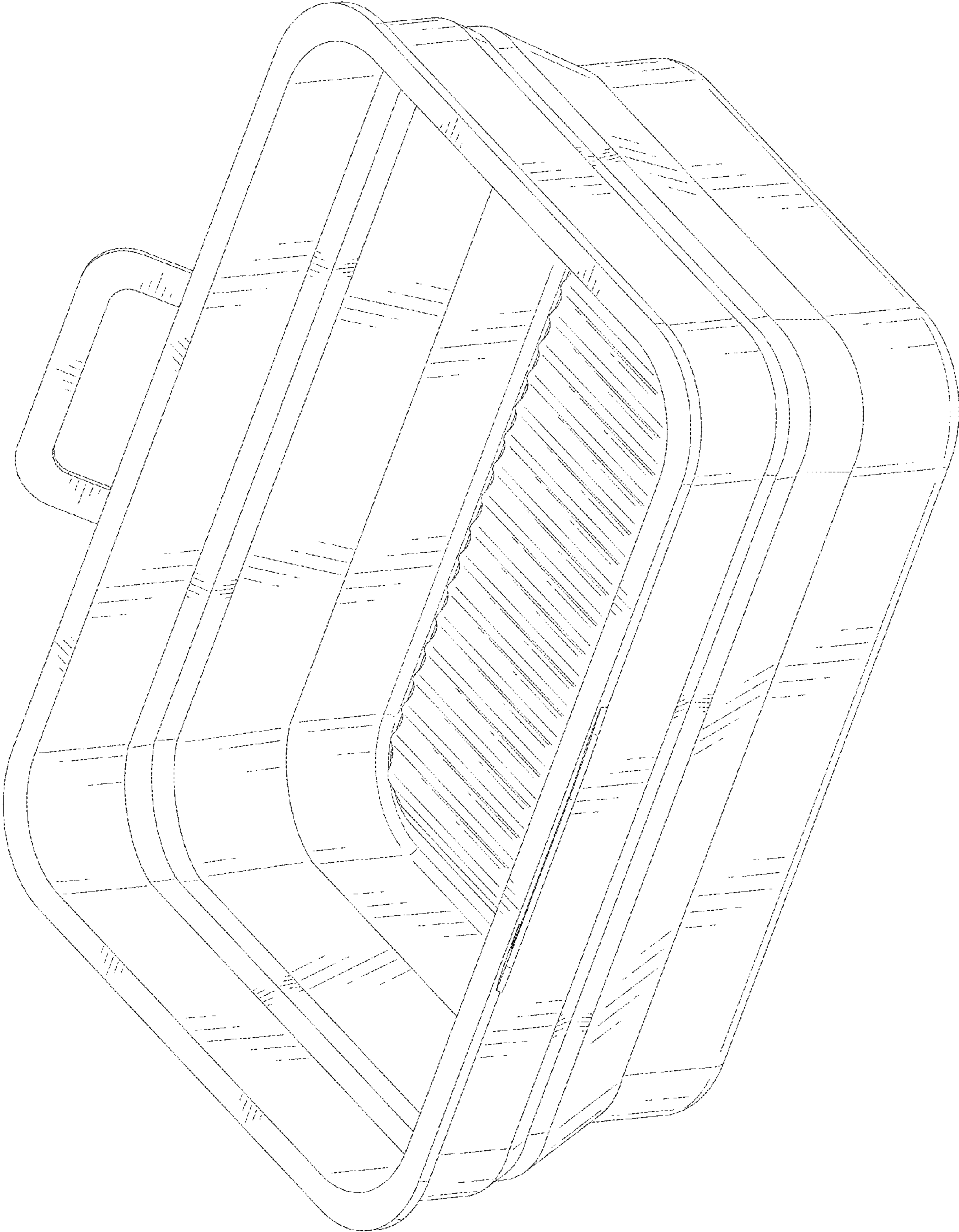


FIG. 1

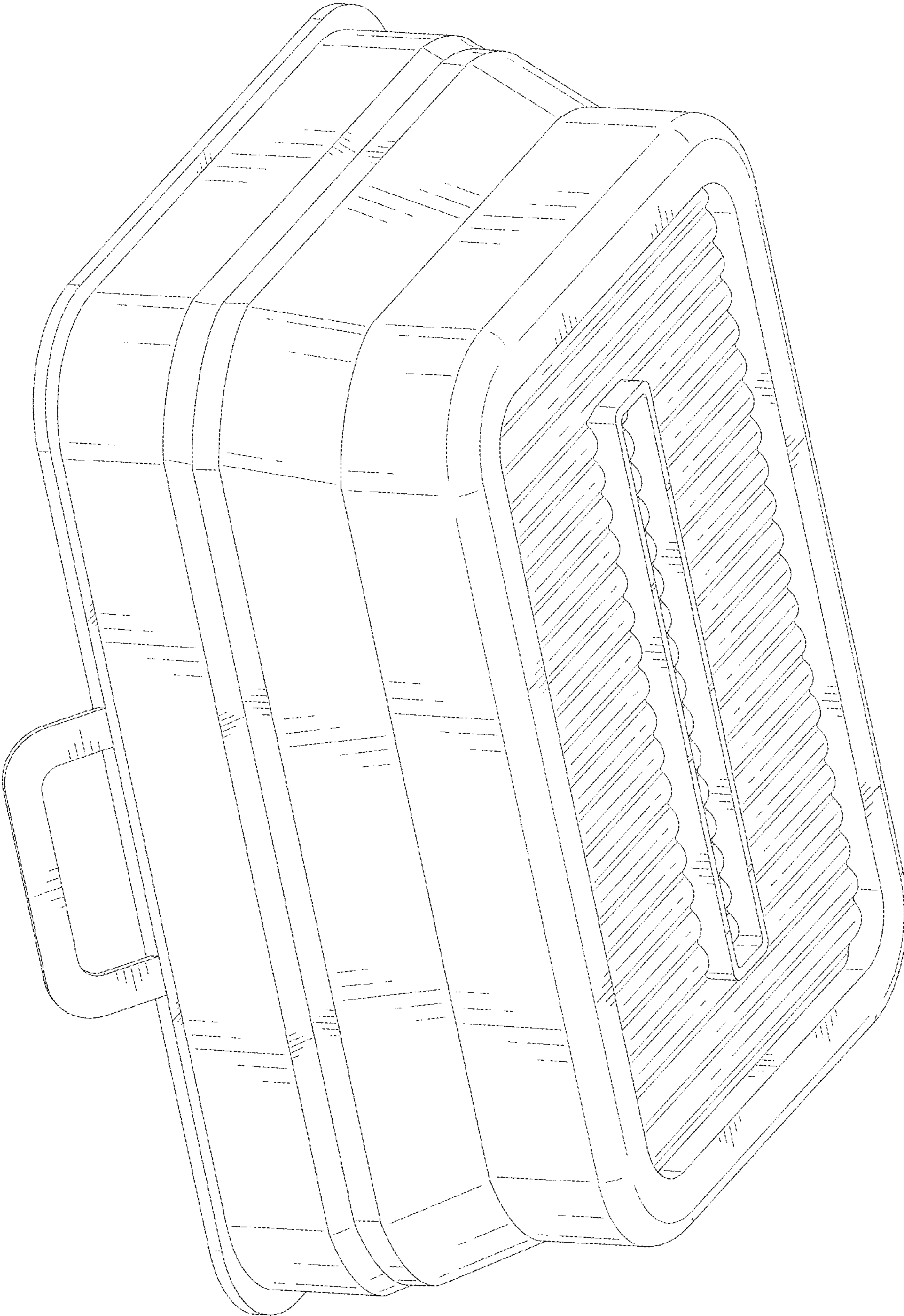


FIG. 2

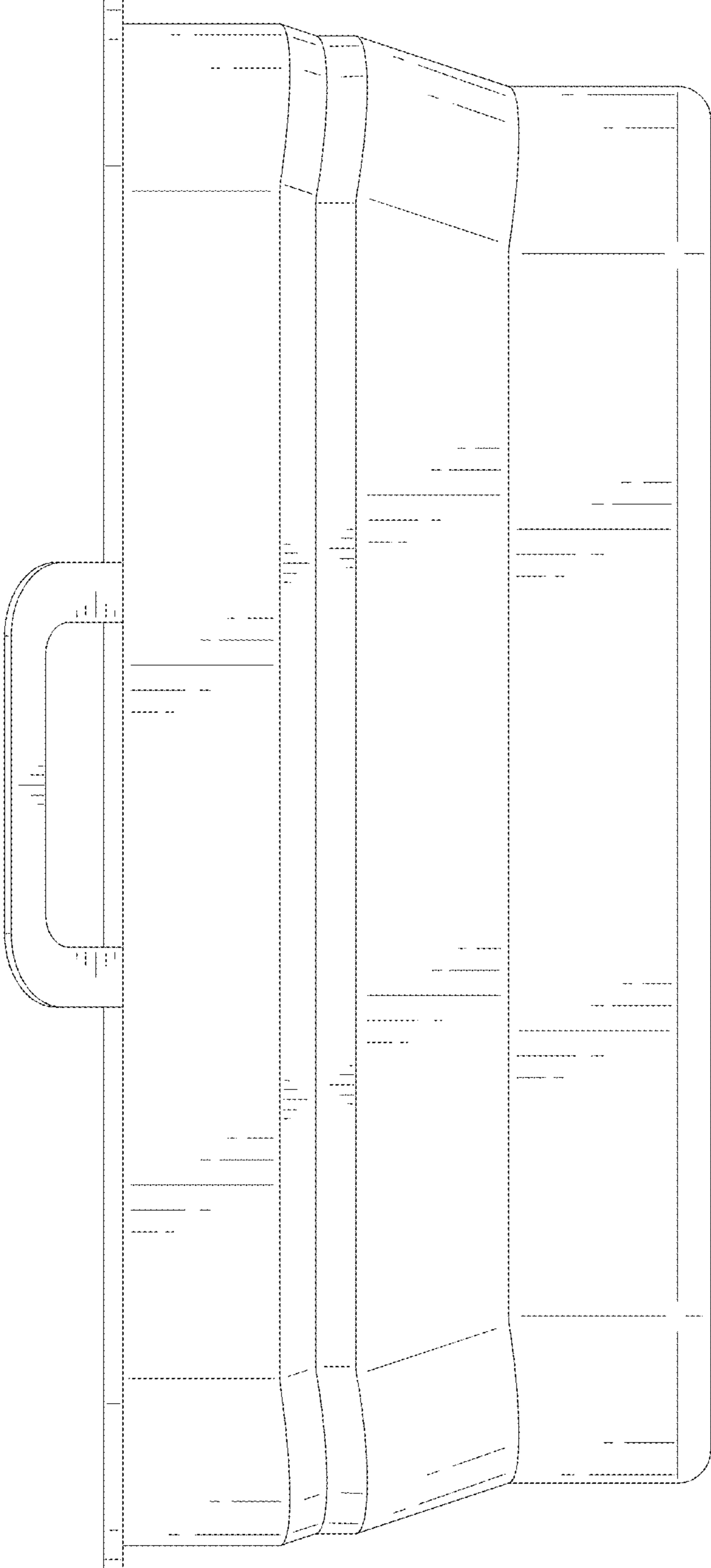


FIG. 3

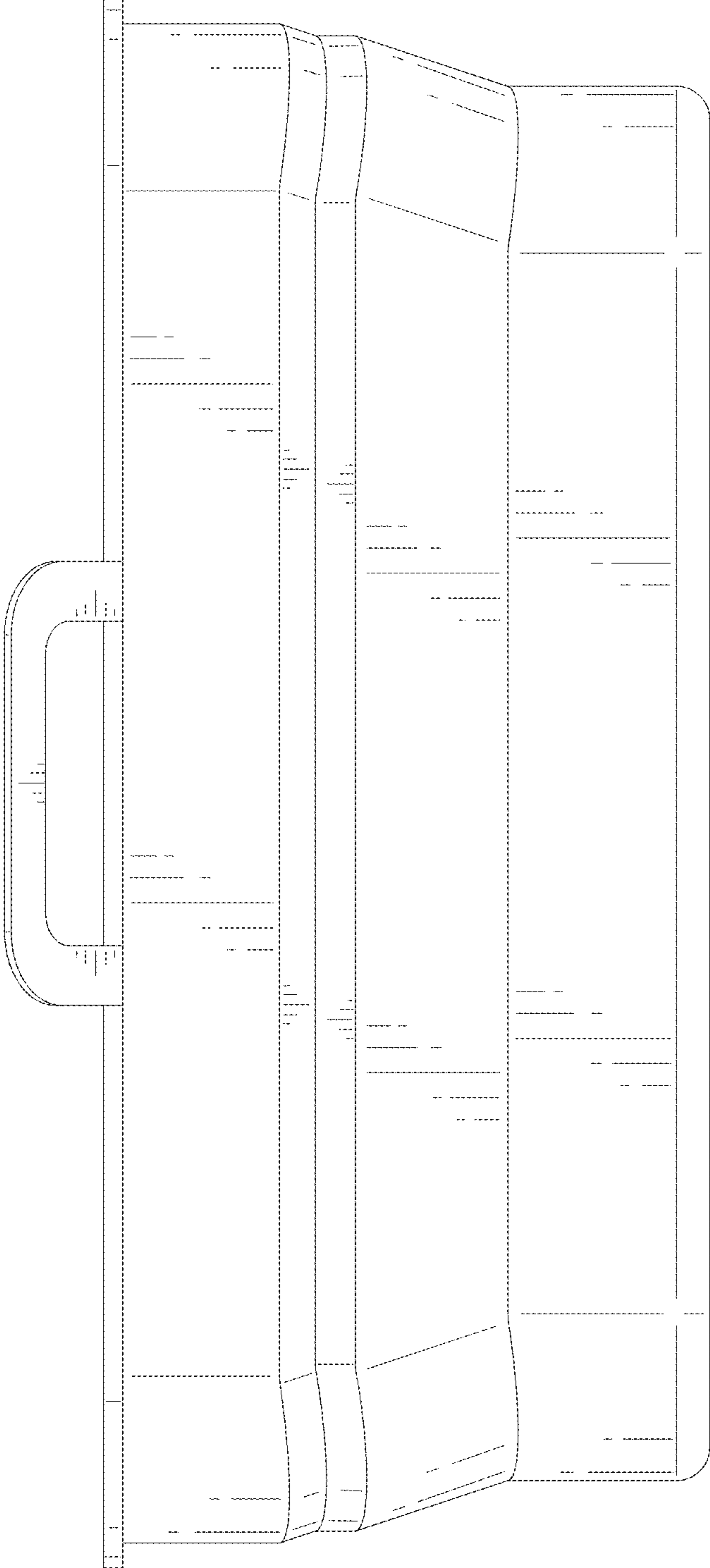


FIG. 4

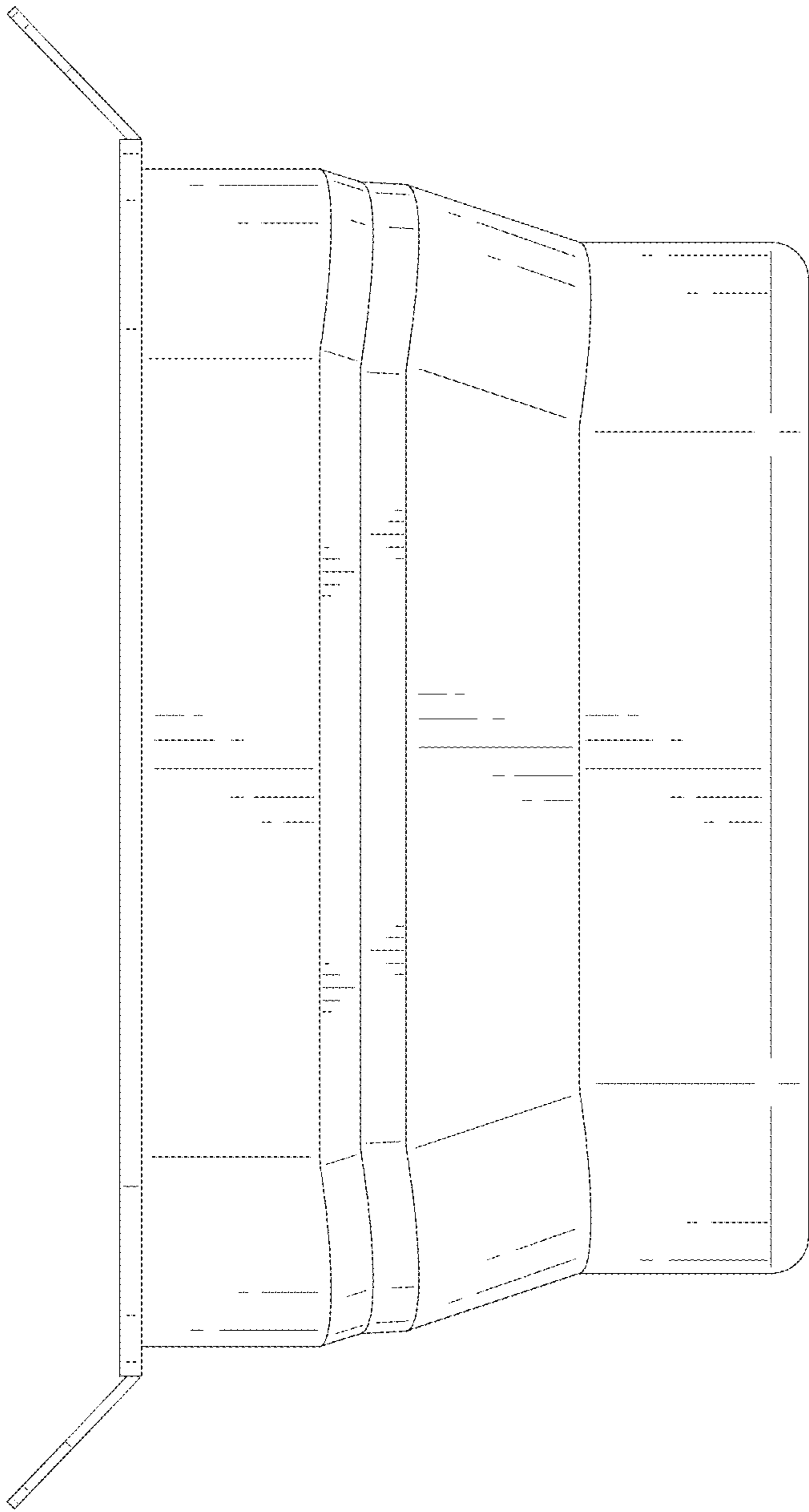


FIG. 5

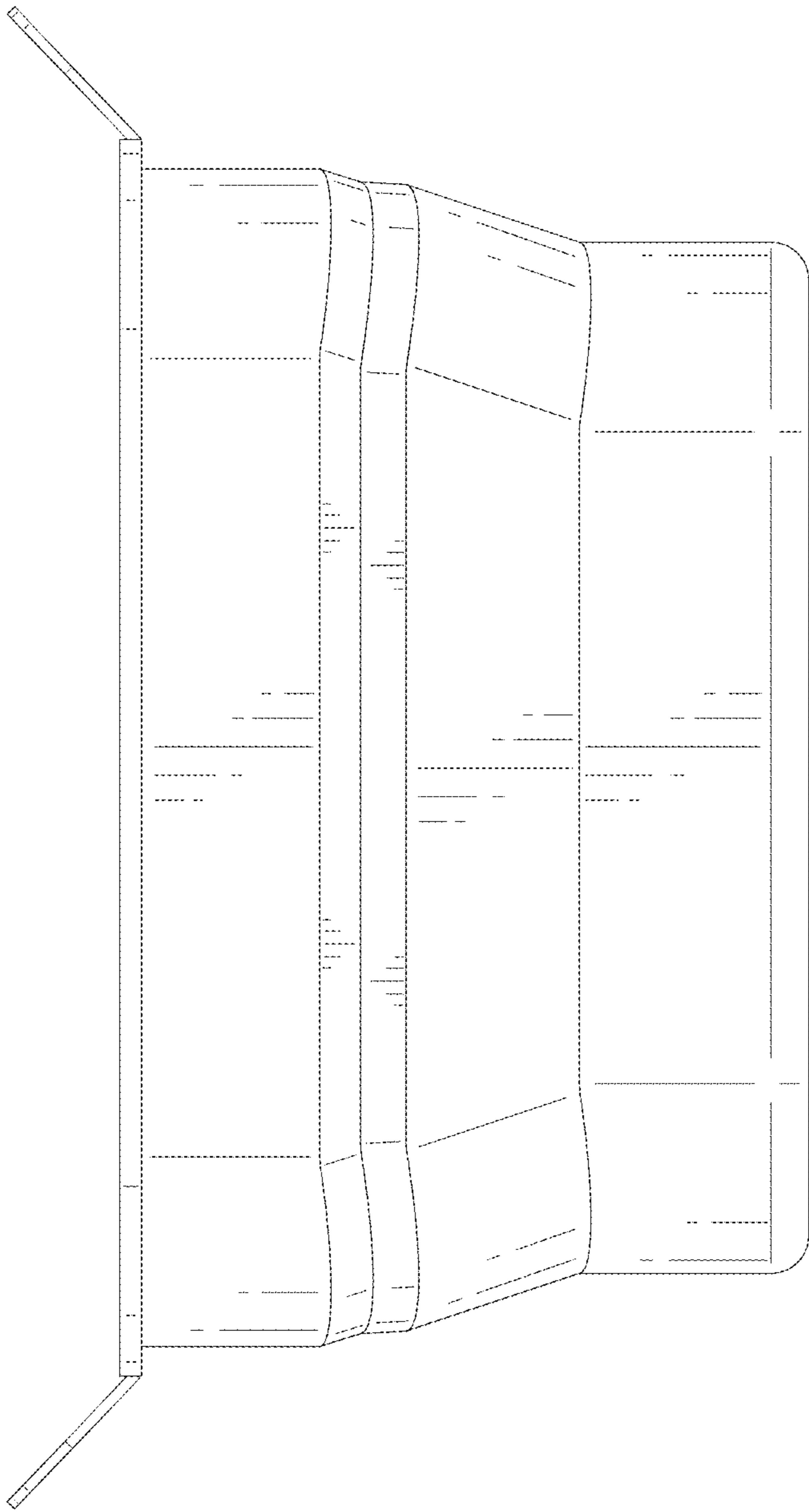


FIG. 6

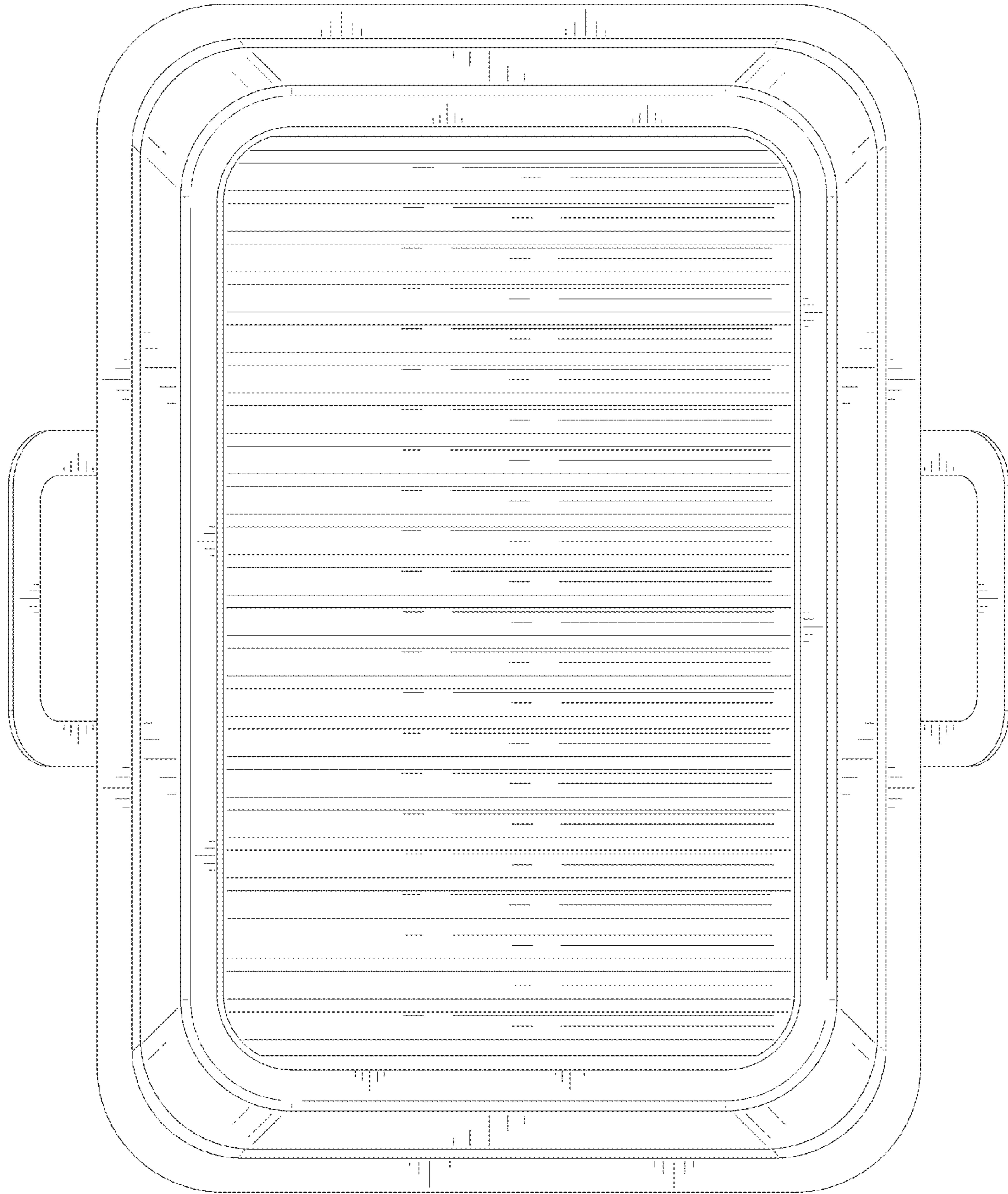


FIG. 7

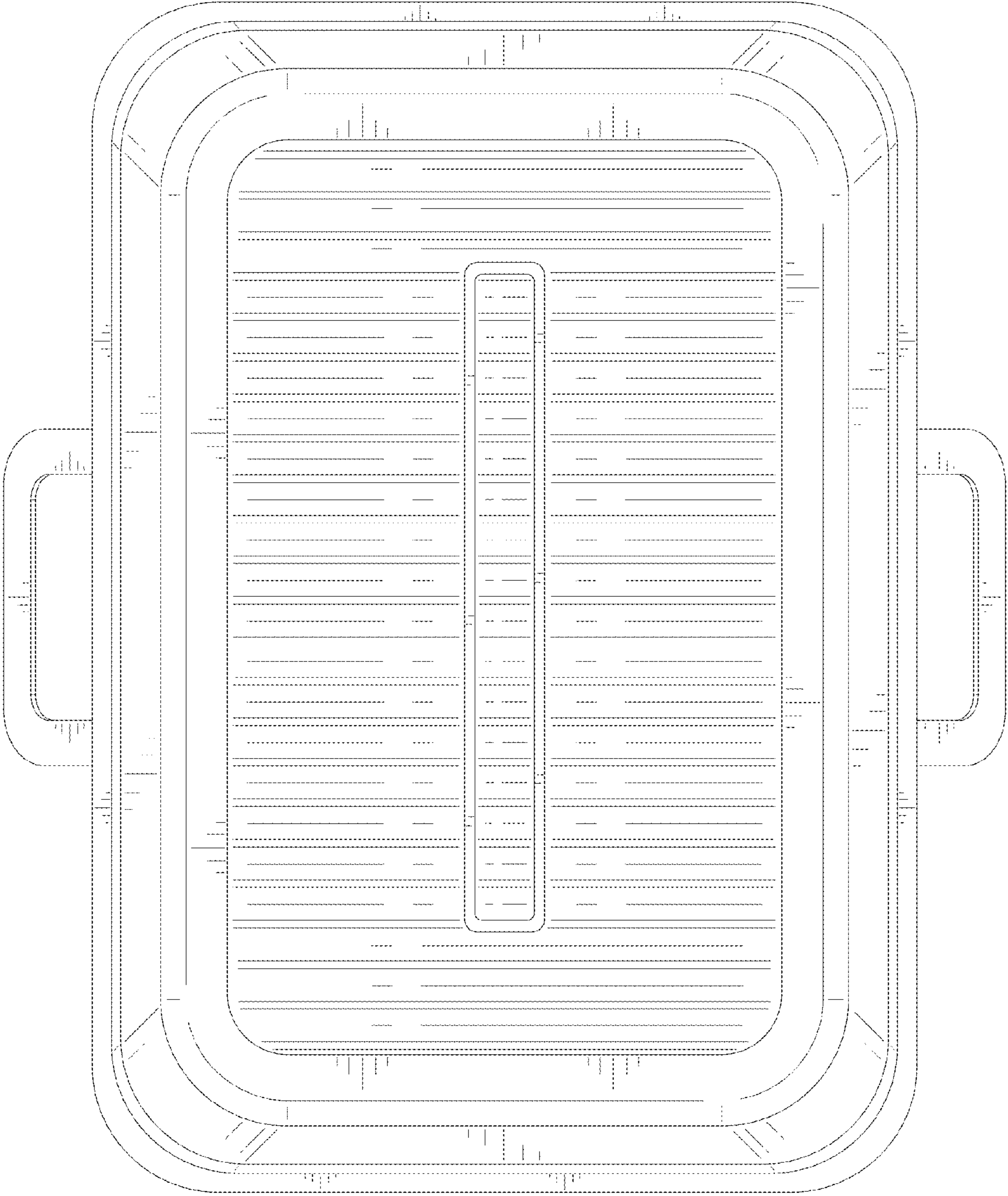


FIG. 8