



US00D984195S

(12) **United States Design Patent**
Tan et al.

(10) **Patent No.:** **US D984,195 S**

(45) **Date of Patent:** **** Apr. 25, 2023**

(54) **ELECTRIC RICE COOKER**

(71) Applicant: **Foshan Shunde Midea Electrical Heating Appliances Manufacturing Co., Ltd.**, Guangdong (CN)

(72) Inventors: **Mao Tan**, Guangdong (CN);
Shoucheng Xu, Guangdong (CN)

(73) Assignee: **FOSHAN SHUNDE MIDEA ELECTRICAL HEATING APPLIANCES MANUFACTURING CO., LTD.**, Foshan (CN)

(**) Term: **15 Years**

(21) Appl. No.: **29/760,727**

(22) Filed: **Dec. 3, 2020**

(30) **Foreign Application Priority Data**

Jun. 9, 2020 (CN) 202030288602.8

(51) **LOC (14) Cl.** **07-02**

(52) **U.S. Cl.**
USPC **D7/354**

(58) **Field of Classification Search**
USPC D7/323, 337, 339, 340, 341, 354, 355,
D7/356, 357, 358, 359, 360, 361, 362,
(Continued)

(56) **References Cited**

U.S. PATENT DOCUMENTS

D549,517 S * 8/2007 Moran D7/358
D728,301 S * 5/2015 Hack D7/368
(Continued)

FOREIGN PATENT DOCUMENTS

CN 304208142 * 7/2017
CN 304582000 * 10/2017

OTHER PUBLICATIONS

Aroma Housewares DigitalCool-Touch Rice grain Cooker, posted at Amazon.com on Apr. 13, 2012, [site visited May 4, 2022]. Available

from internet, URL: <<https://www.amazon.com/Aroma-Housewares-ARC-914SBD-Cool-Touch-Stainless/dp/B007WQ9YNO/>> (Year: 2012).*

(Continued)

Primary Examiner — Andrew Kerr
Assistant Examiner — Chariton Alexakis

(74) *Attorney, Agent, or Firm* — Morgan, Lewis & Bockius LLP

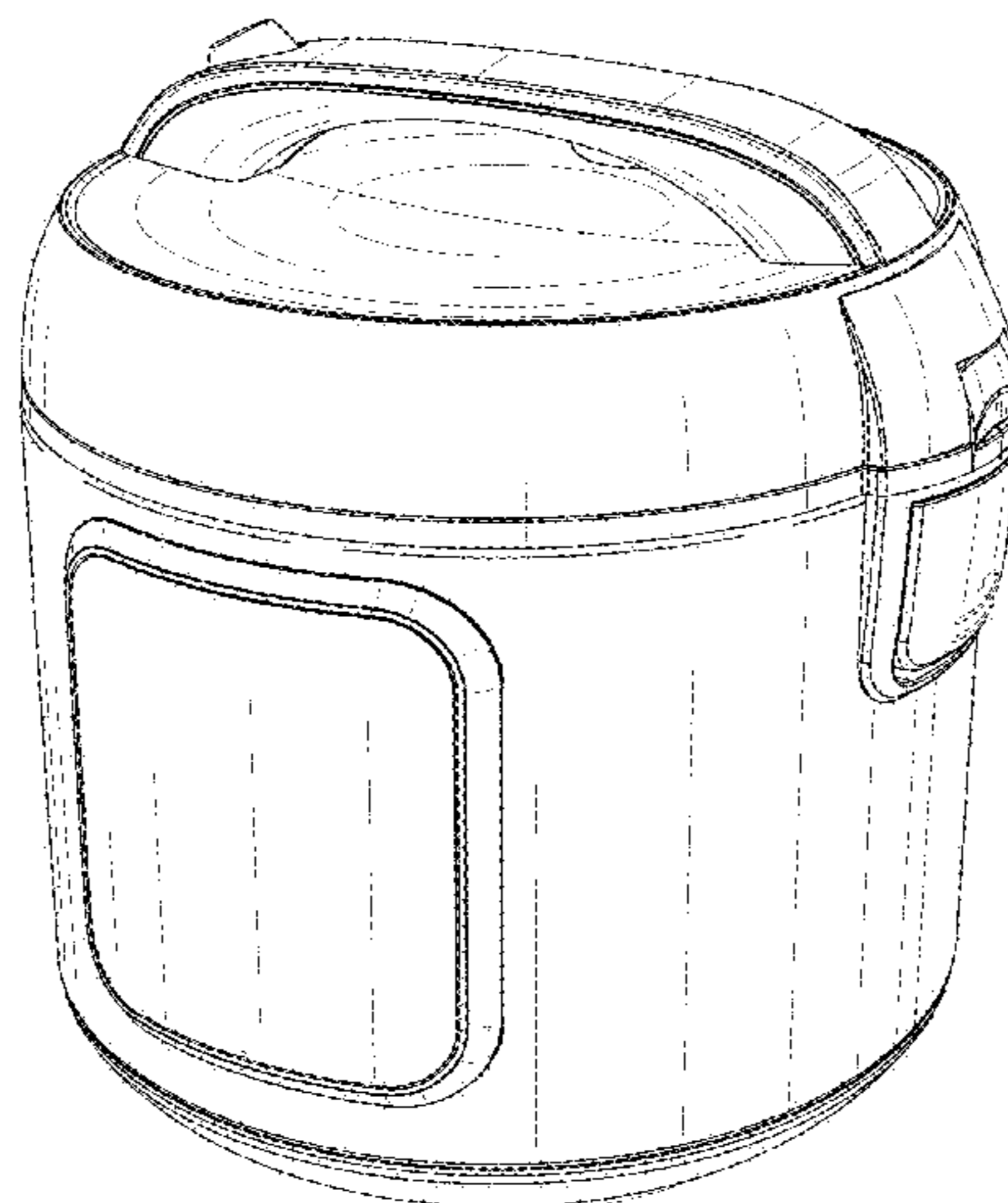
(57) **CLAIM**

The ornamental design for an electric rice cooker, as shown and described.

DESCRIPTION

FIG. 1 is a front perspective view of a first embodiment of an electric rice cooker showing our new design; FIG. 2 is a front elevational view thereof; FIG. 3 is a rear elevational view thereof; FIG. 4 is a left-side elevational view thereof; FIG. 5 is a right-side elevational view thereof; FIG. 6 is a top plan view thereof; FIG. 7 is a bottom plan view thereof; FIG. 8 is a front perspective view of a second embodiment of an electric rice cooker showing our new design; FIG. 9 is a front elevational view thereof; FIG. 10 is a rear elevational view thereof; FIG. 11 is a left-side elevational view thereof; FIG. 12 is a right-side elevational view thereof; FIG. 13 is a top plan view thereof; FIG. 14 is a bottom plan view thereof; FIG. 15 is a front perspective view of a third embodiment of an electric rice cooker showing our new design; FIG. 16 is a front elevational view thereof; FIG. 17 is a rear elevational view thereof; FIG. 18 is a left-side elevational view thereof; FIG. 19 is a right-side elevational view thereof; FIG. 20 is a top plan view thereof; and, FIG. 21 is a bottom plan view thereof.

(Continued)



The broken lines depict features of the electric rice cooker that form no part of the claimed design.

1 Claim, 21 Drawing Sheets

(58) Field of Classification Search

USPC D7/364, 365, 368, 393, 402, 403, 412,
D7/413, 414, 600, 612
CPC A47J 2027/043; A47J 27/00; A47J 27/04;
A47J 27/05; A47J 27/06; A47J 27/08;
A47J 27/802; A47J 27/804; A47J 27/806;
A47J 27/815; A47J 27/09; A47J 27/092;
A47J 36/025; A47J 36/10; A47J 36/12;
A47J 36/16; A47J 36/165; A47J 36/20;
F24C 7/06; F24C 7/086; F24C 15/02;
H05B 3/20; H05B 3/40; H05B 6/02;
H05B 6/06; H05B 6/12

See application file for complete search history.

(56) References Cited

U.S. PATENT DOCUMENTS

D833,202 S * 11/2018 Yang D7/354
D846,335 S * 4/2019 Yang D7/354

D854,875 S * 7/2019 Tan D7/354
D860,712 S * 9/2019 Yang D7/354
D861,411 S * 10/2019 Huang D7/354
D861,412 S * 10/2019 Yang D7/354
D871,828 S * 1/2020 Tan D7/354
D907,427 S * 1/2021 Ye D7/354
D927,919 S * 8/2021 Wang D7/358
D930,423 S * 9/2021 Wang D7/354
D931,034 S * 9/2021 Fung D7/358
2019/0274462 A1 * 9/2019 Moon A47J 27/086
2020/0128997 A1 * 4/2020 Qin A47J 36/10
2020/0405085 A1 * 12/2020 Dos Santos A47J 27/04
2021/0259453 A1 * 8/2021 Newhouse A47J 36/16
2022/0039585 A1 * 2/2022 Hensley A47J 27/09

OTHER PUBLICATIONS

Aroma Housewares ARC Food Steamer, posted at Amazon.com on Nov. 14, 2016, [site visited May 4, 2022]. Available from internet, URL: <<https://www.amazon.com/Aroma-Professional-ARC-5000SB-Stainless-Exterior/dp/B01N8RAZB1/>> (Year: 2016).*

Instant Pot Cup Rice Cooker, posted at Amazon.com on Sep. 5, 2019, [site visited May 4, 2022]. Available from internet, URL: <<https://www.amazon.com/Instant-Zest-Rice-Cooker-Pot/dp/B07TZL8Y3C/>> (Year: 2019).*

* cited by examiner

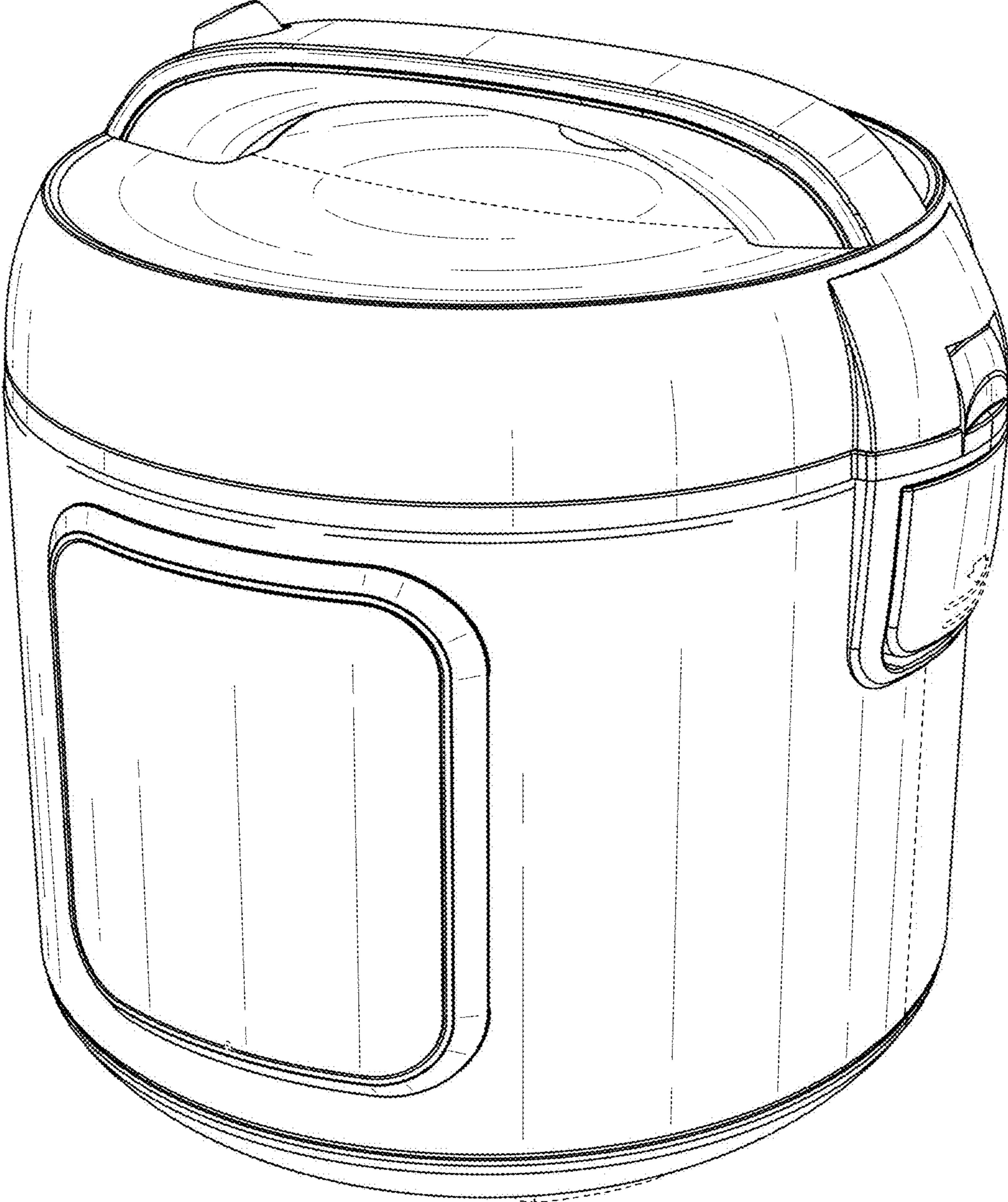


FIG. 1

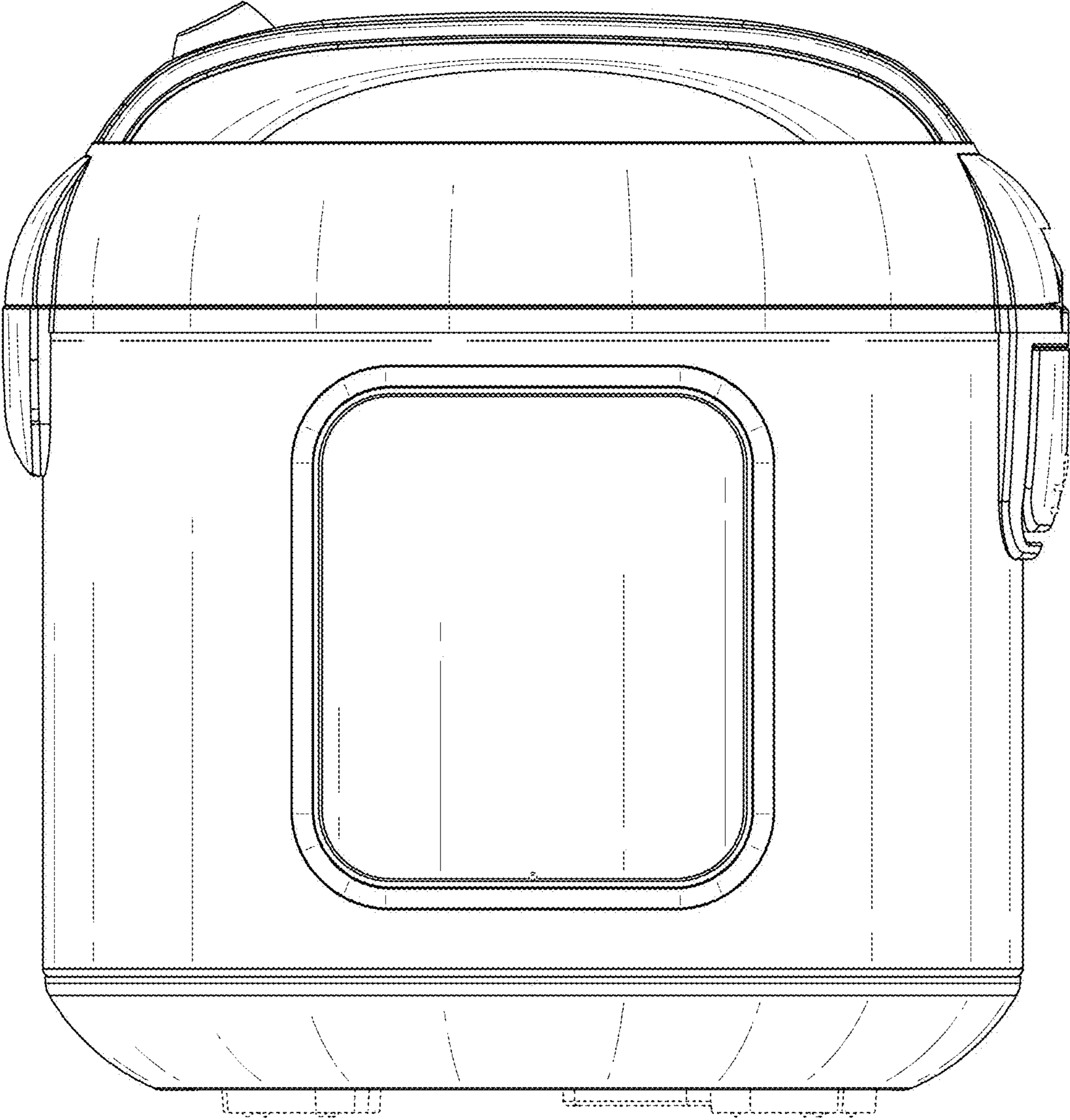


FIG. 2



FIG. 3

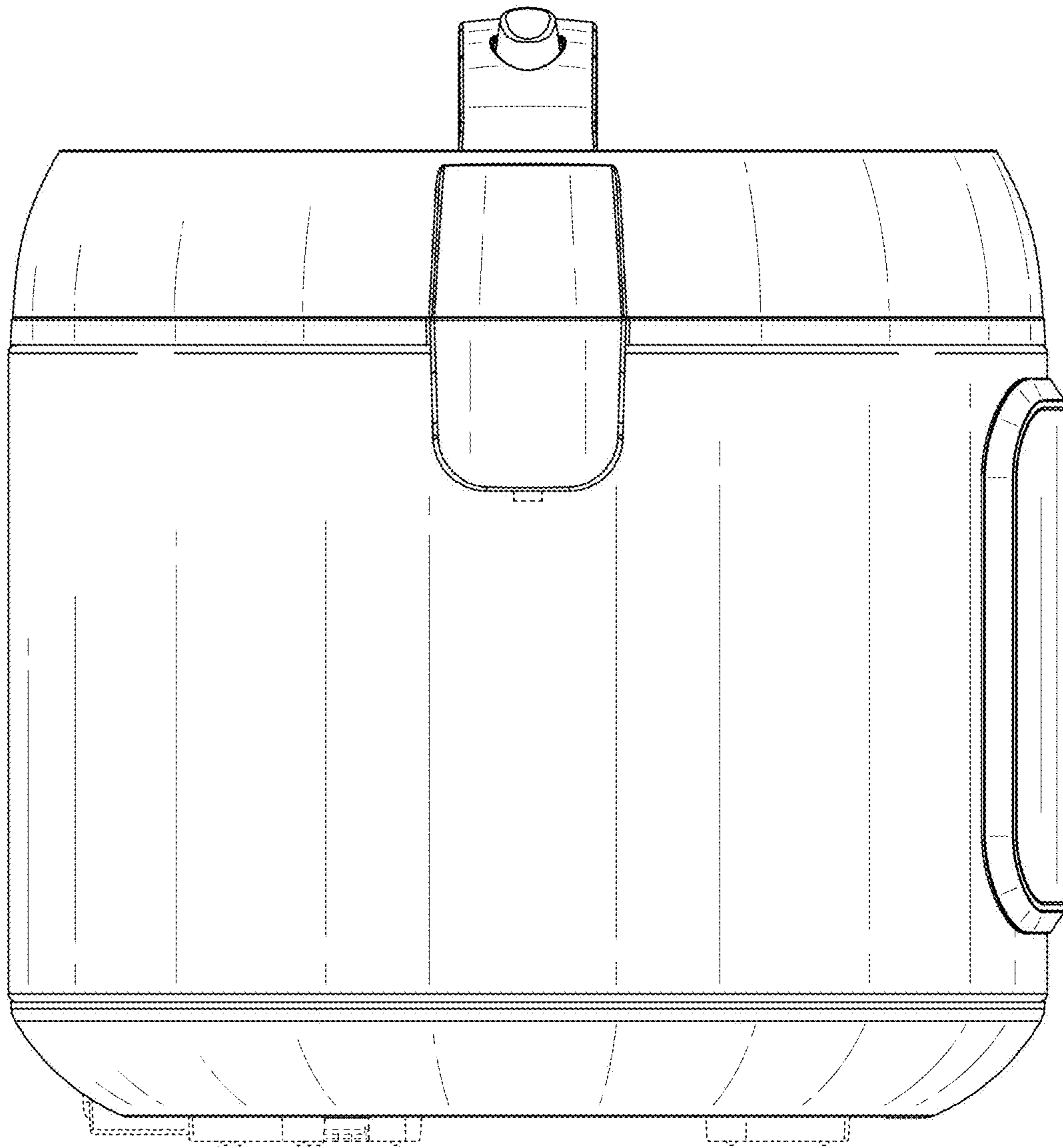


FIG. 4

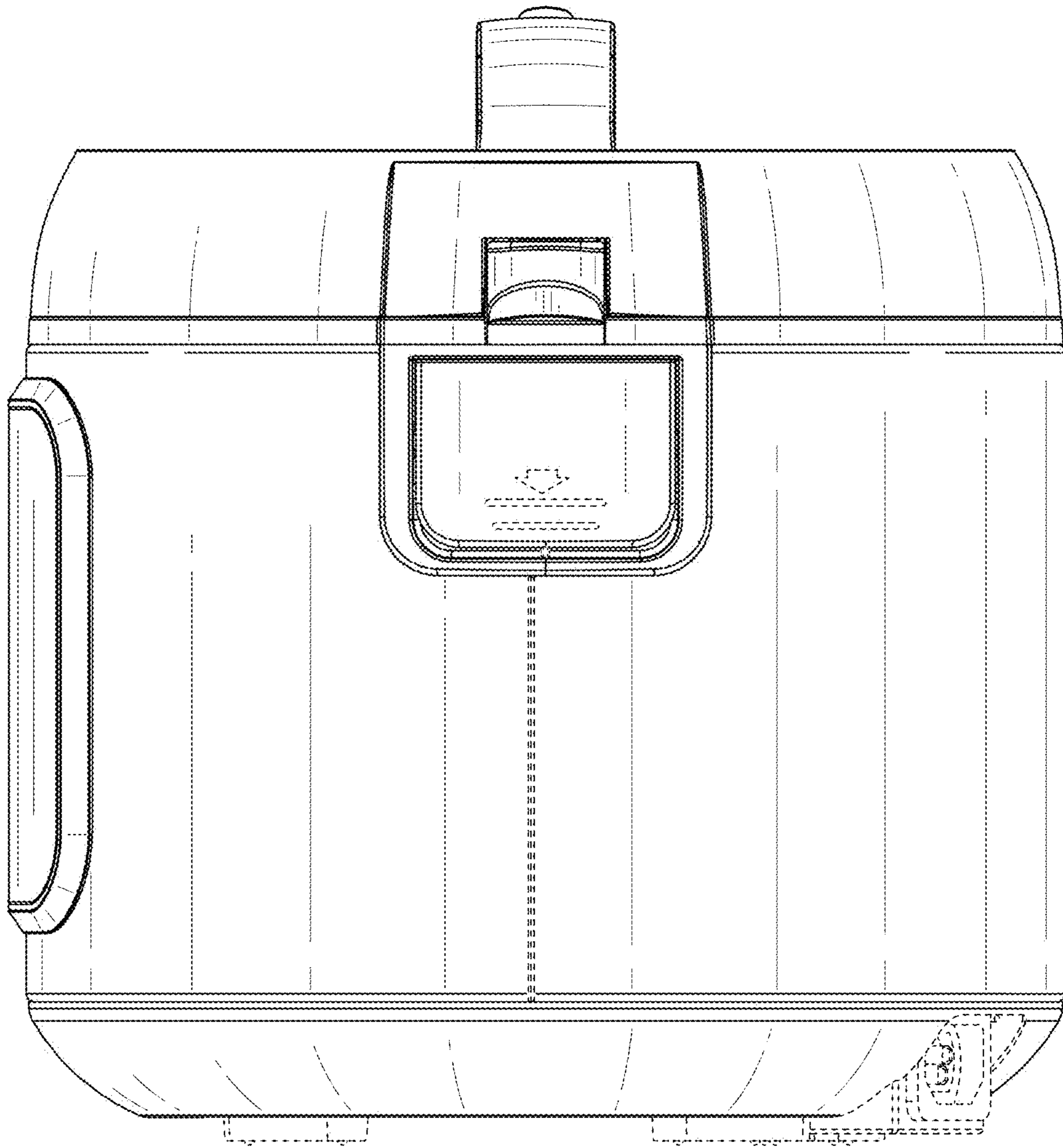


FIG. 5

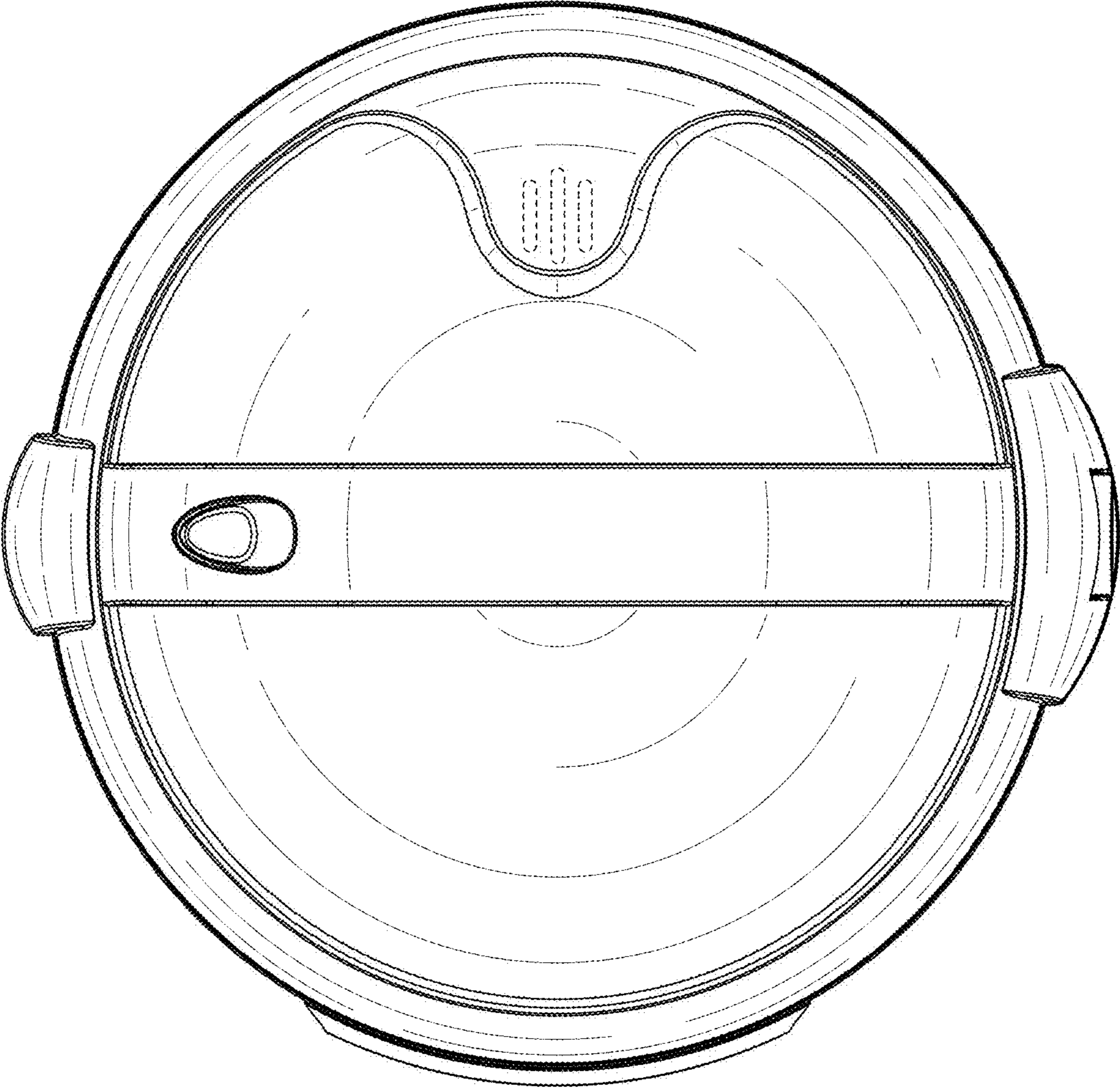


FIG. 6

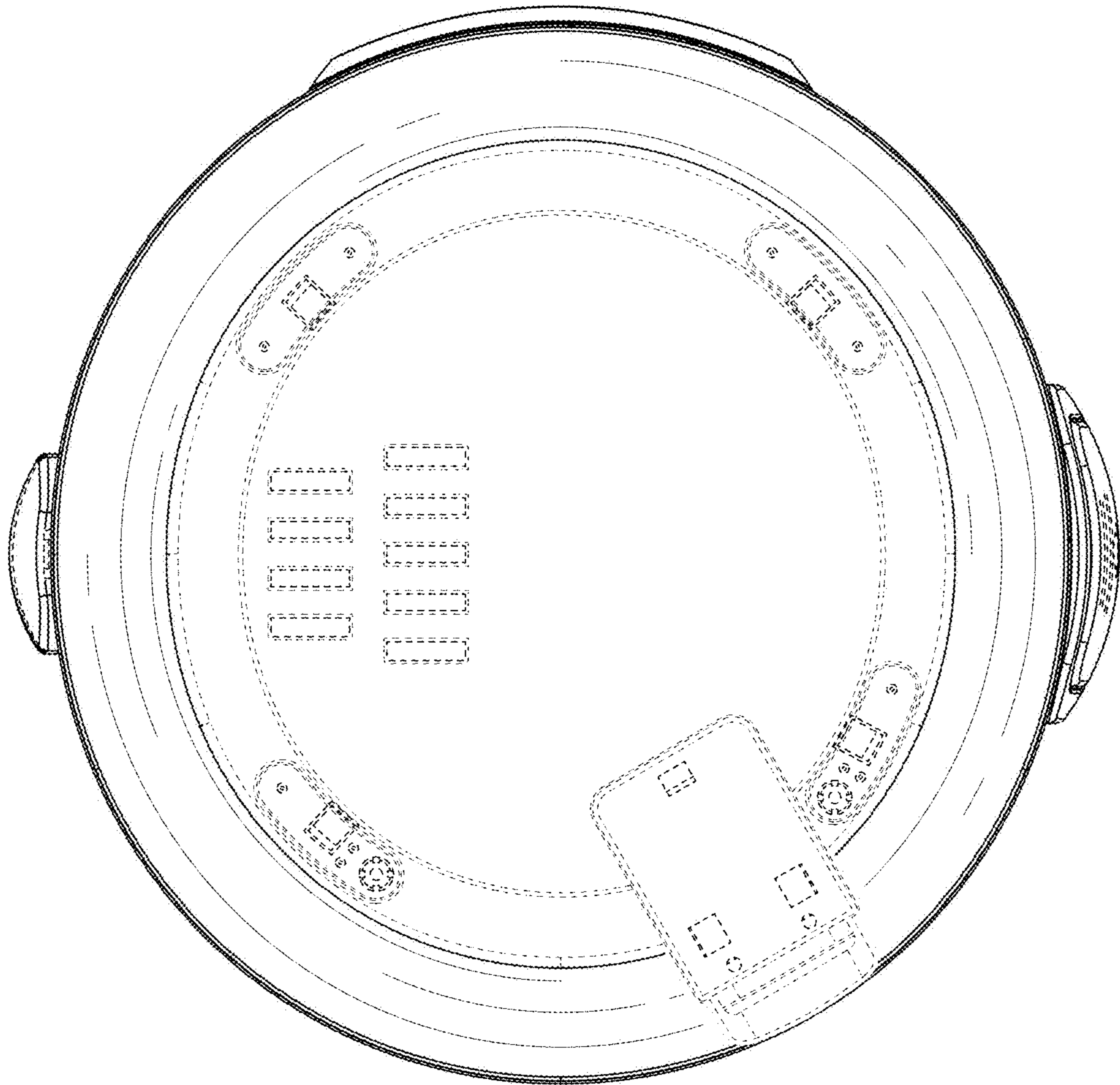


FIG. 7

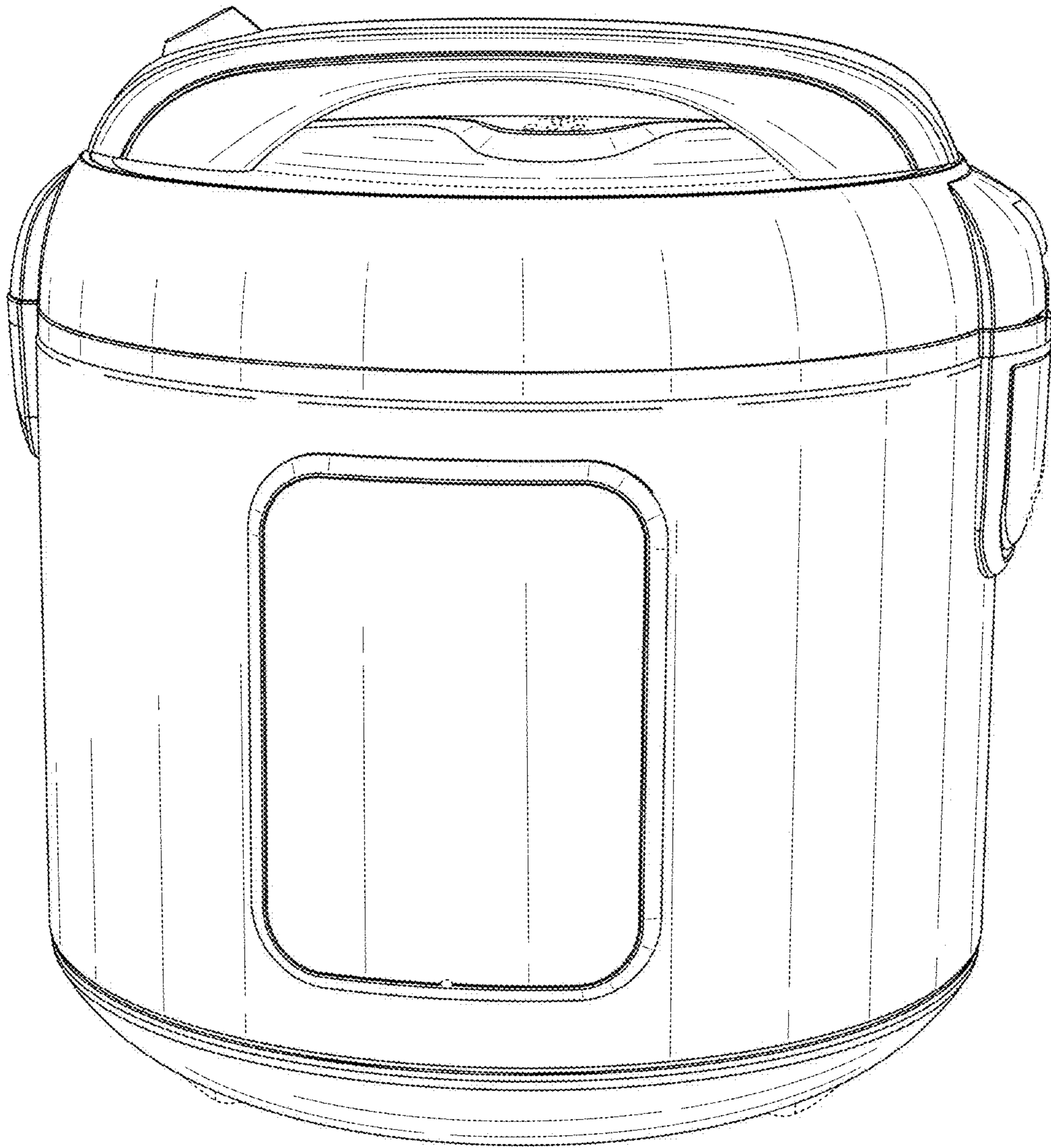


FIG. 8

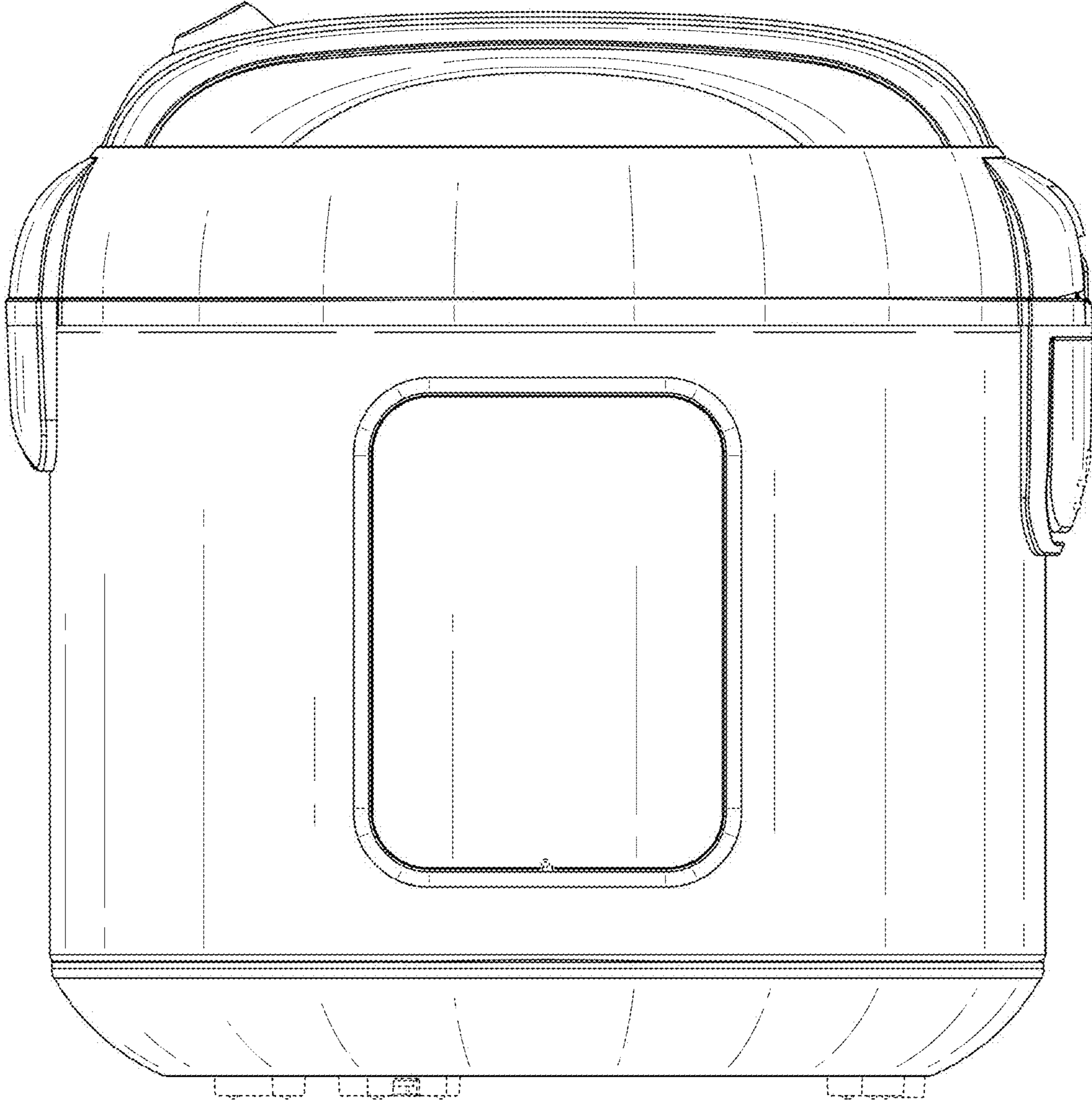


FIG. 9

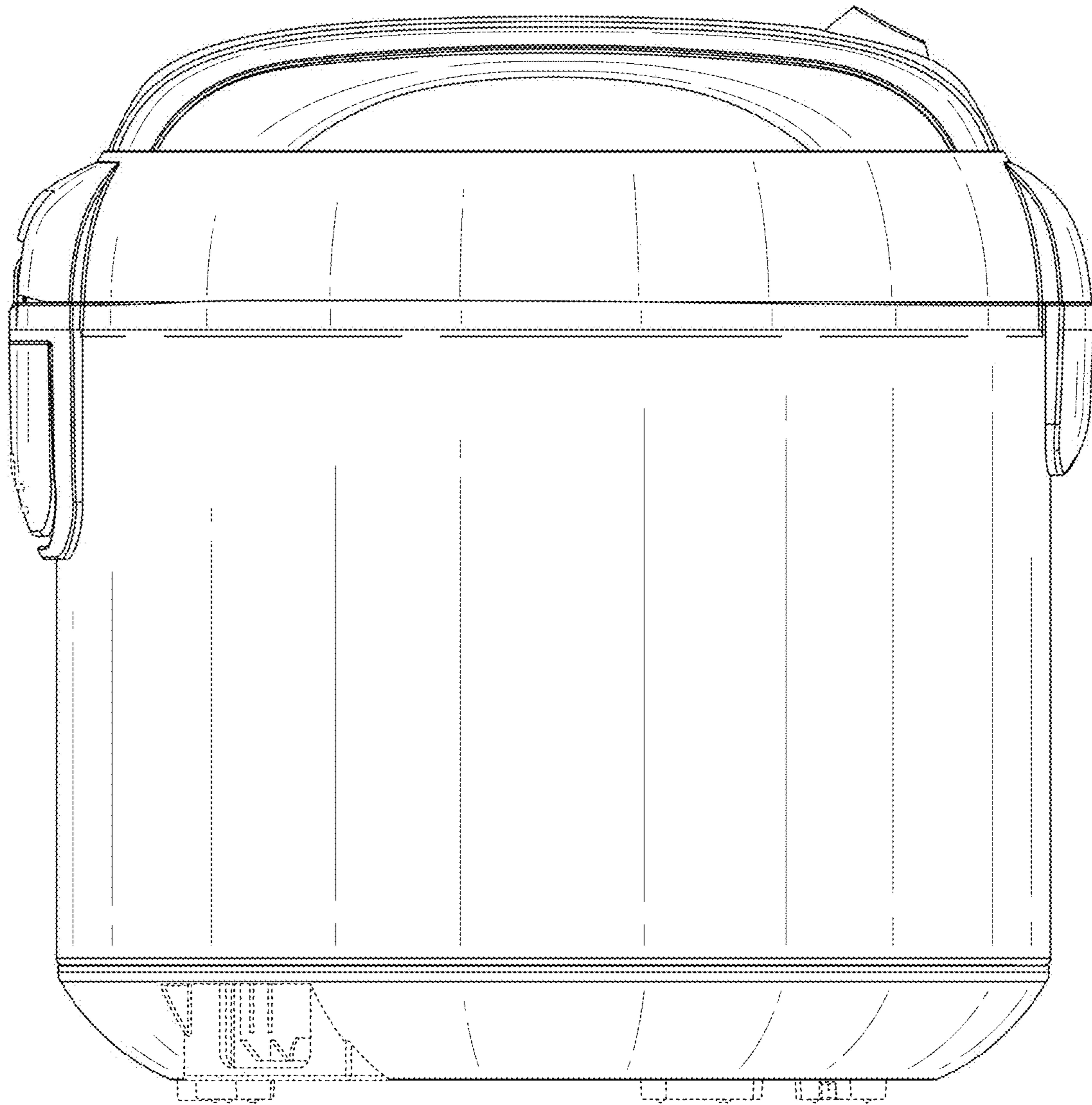


FIG. 10

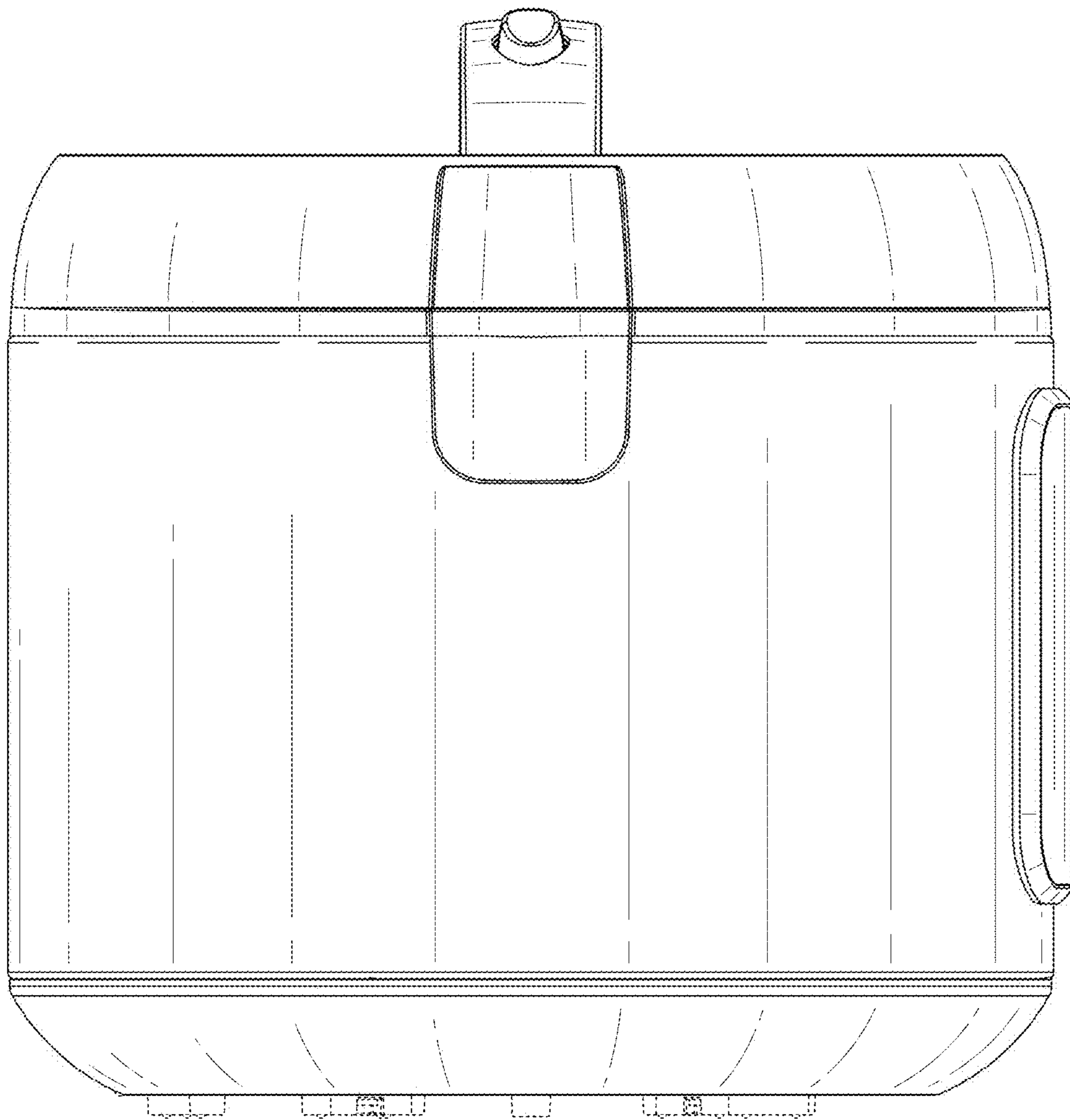


FIG. 11

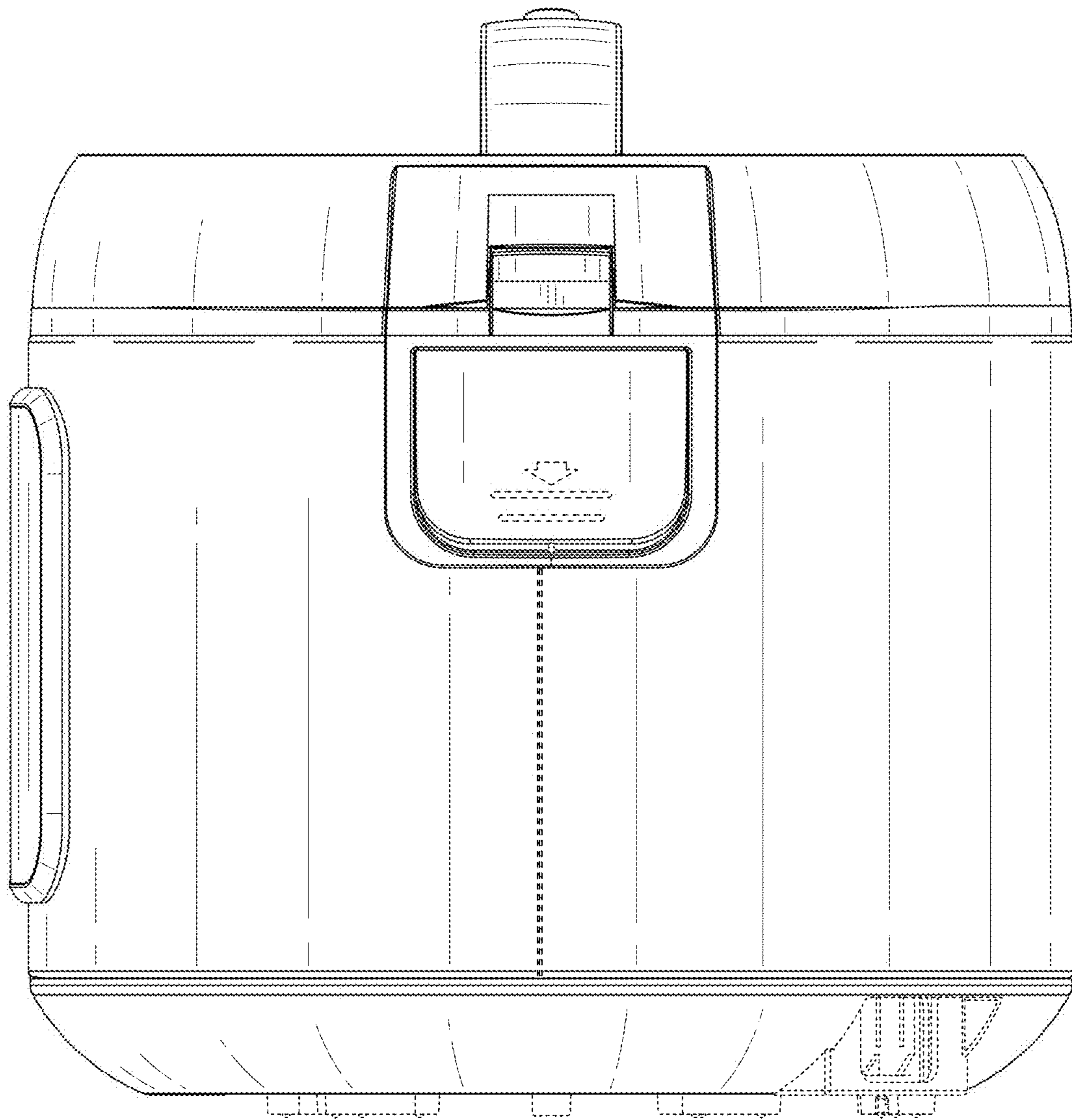


FIG. 12

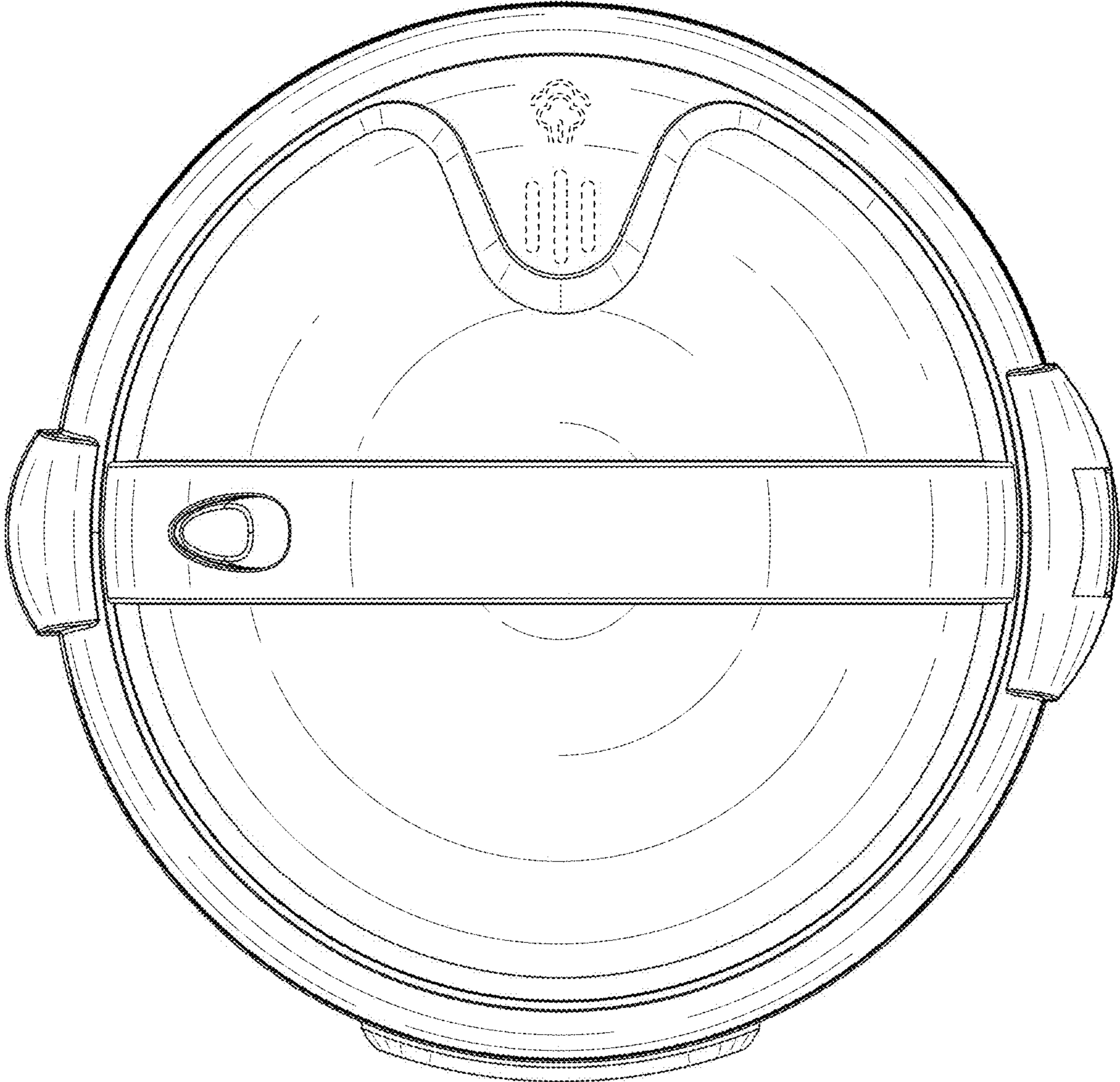


FIG. 13

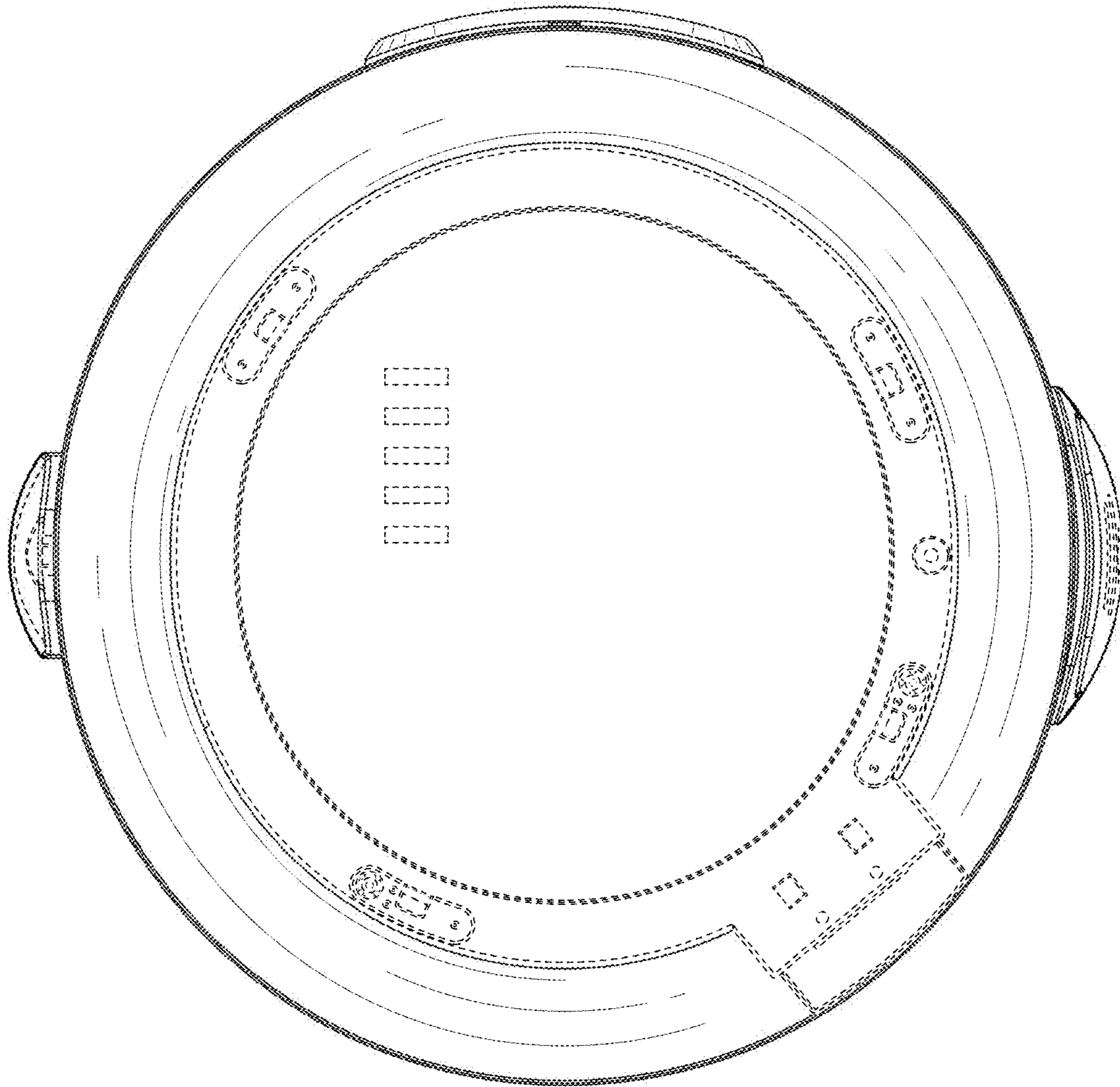


FIG. 14

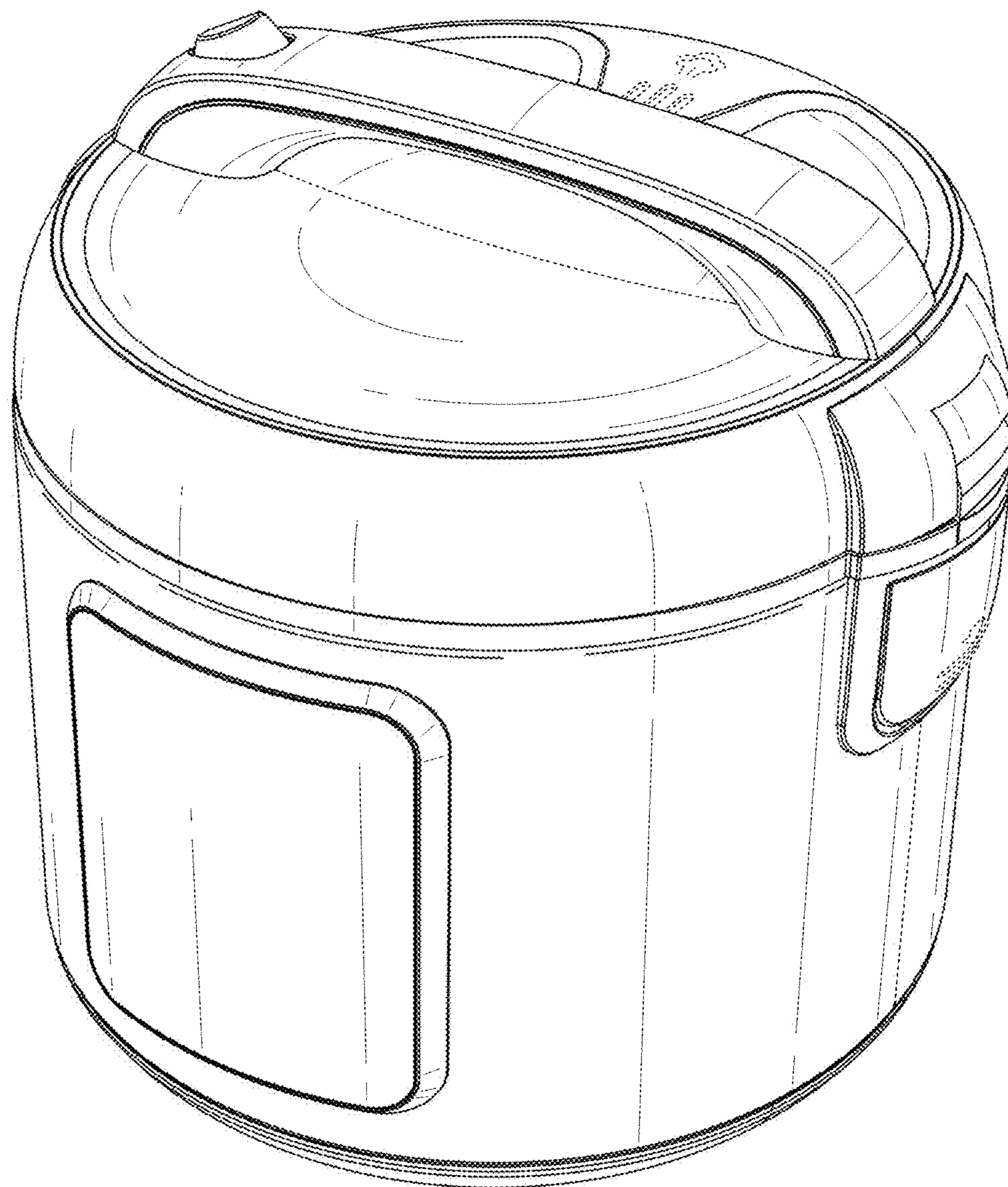


FIG. 15

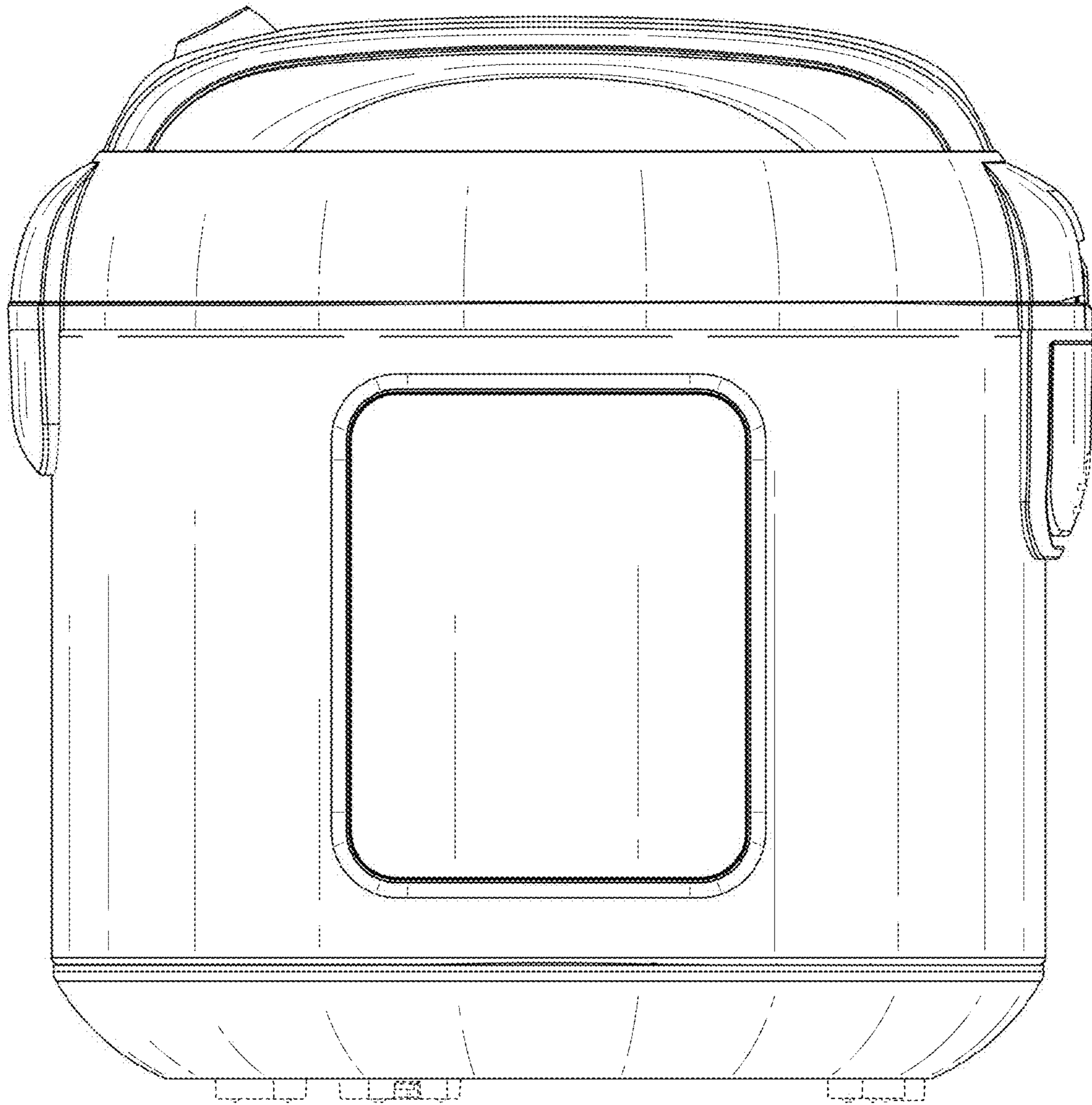


FIG. 16

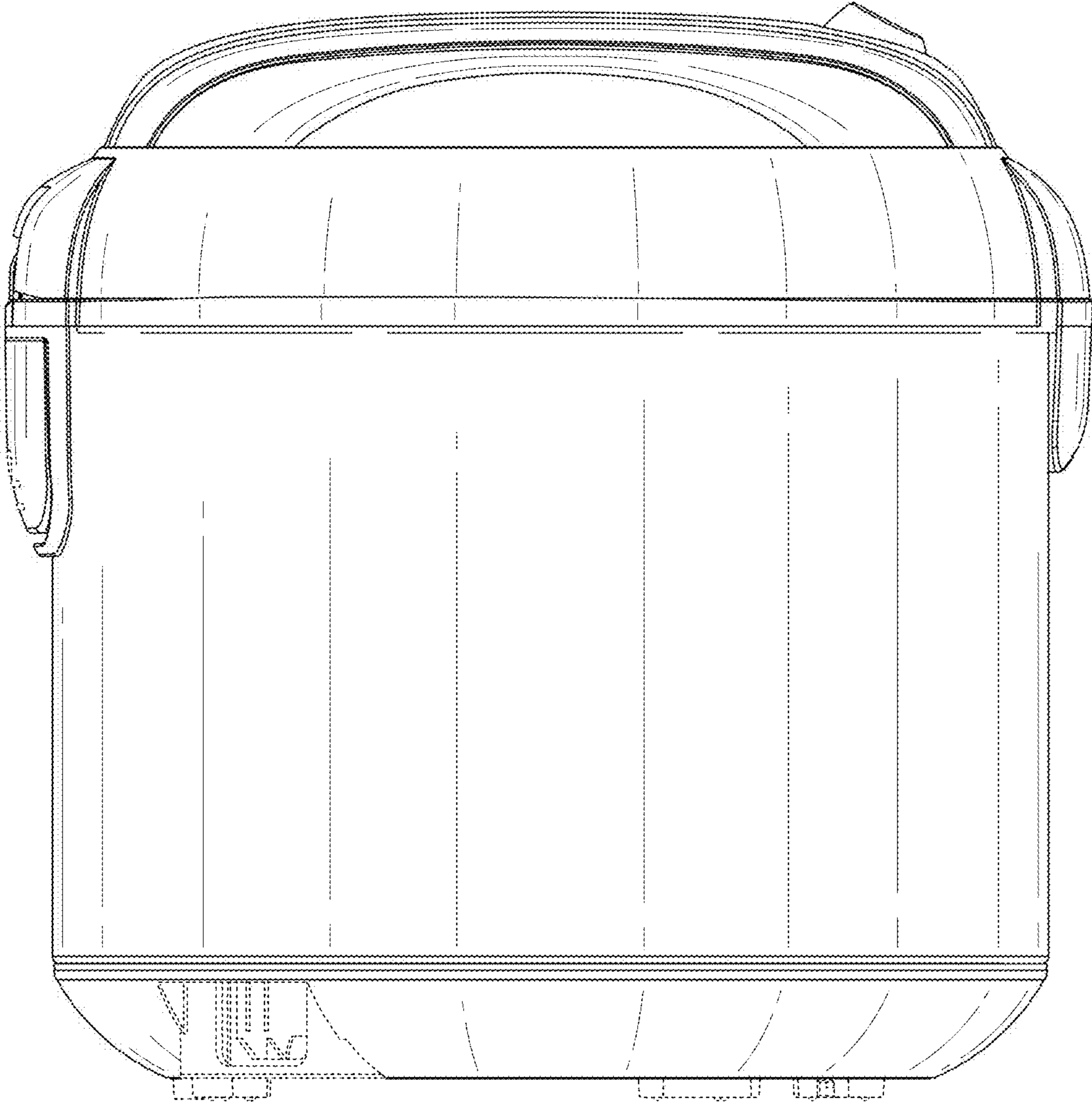


FIG. 17

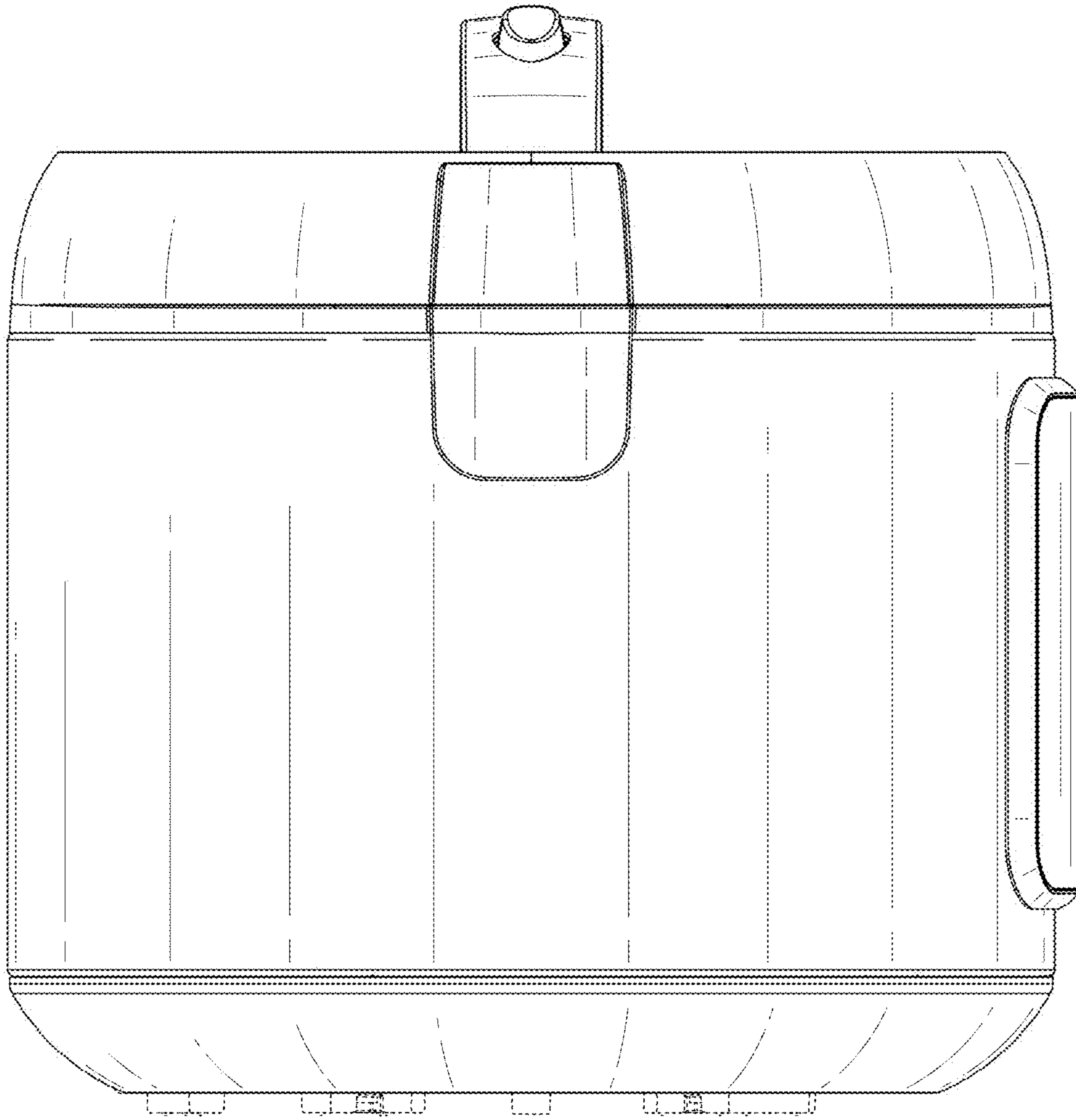


FIG. 18



FIG. 19

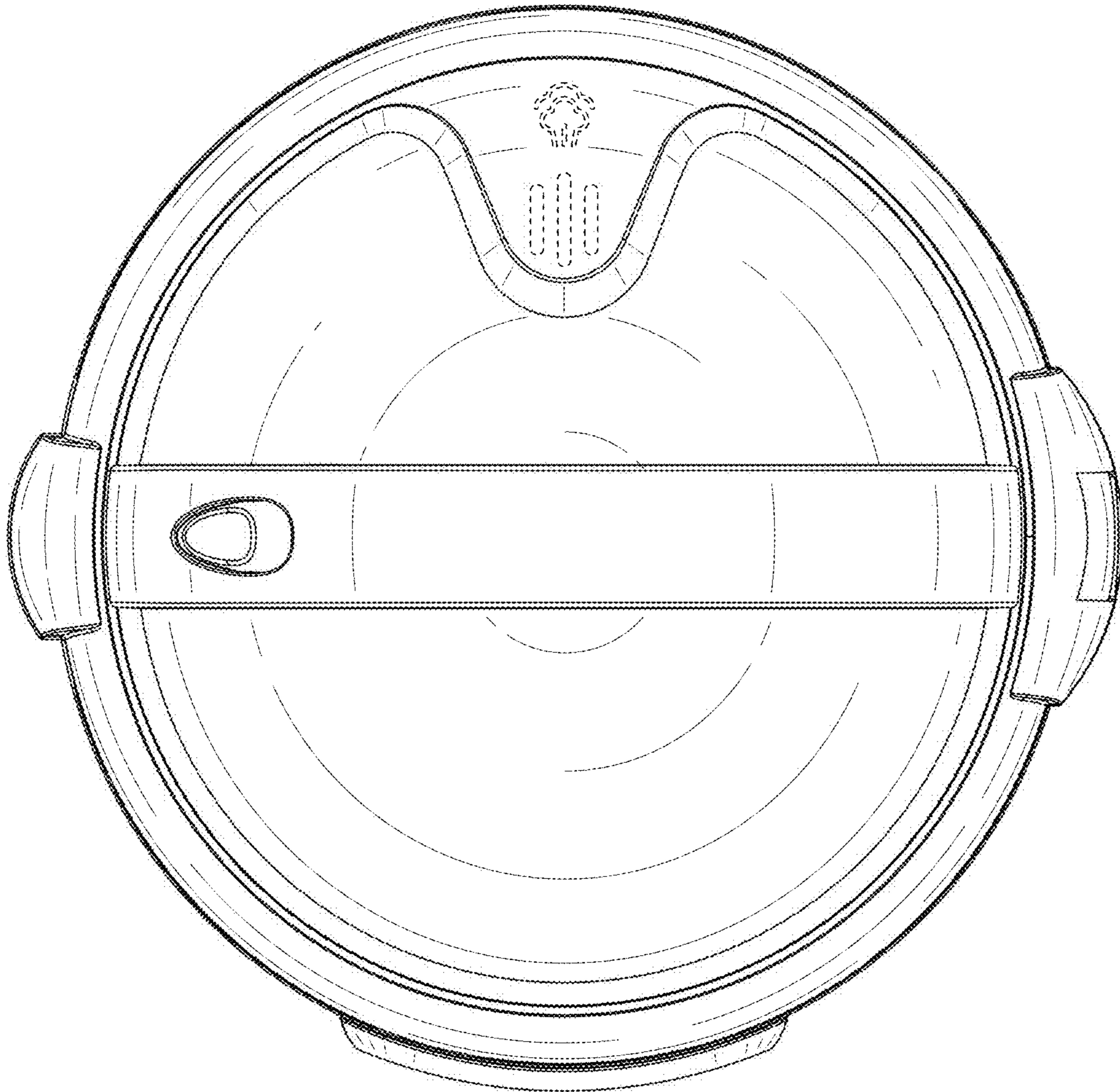


FIG. 20

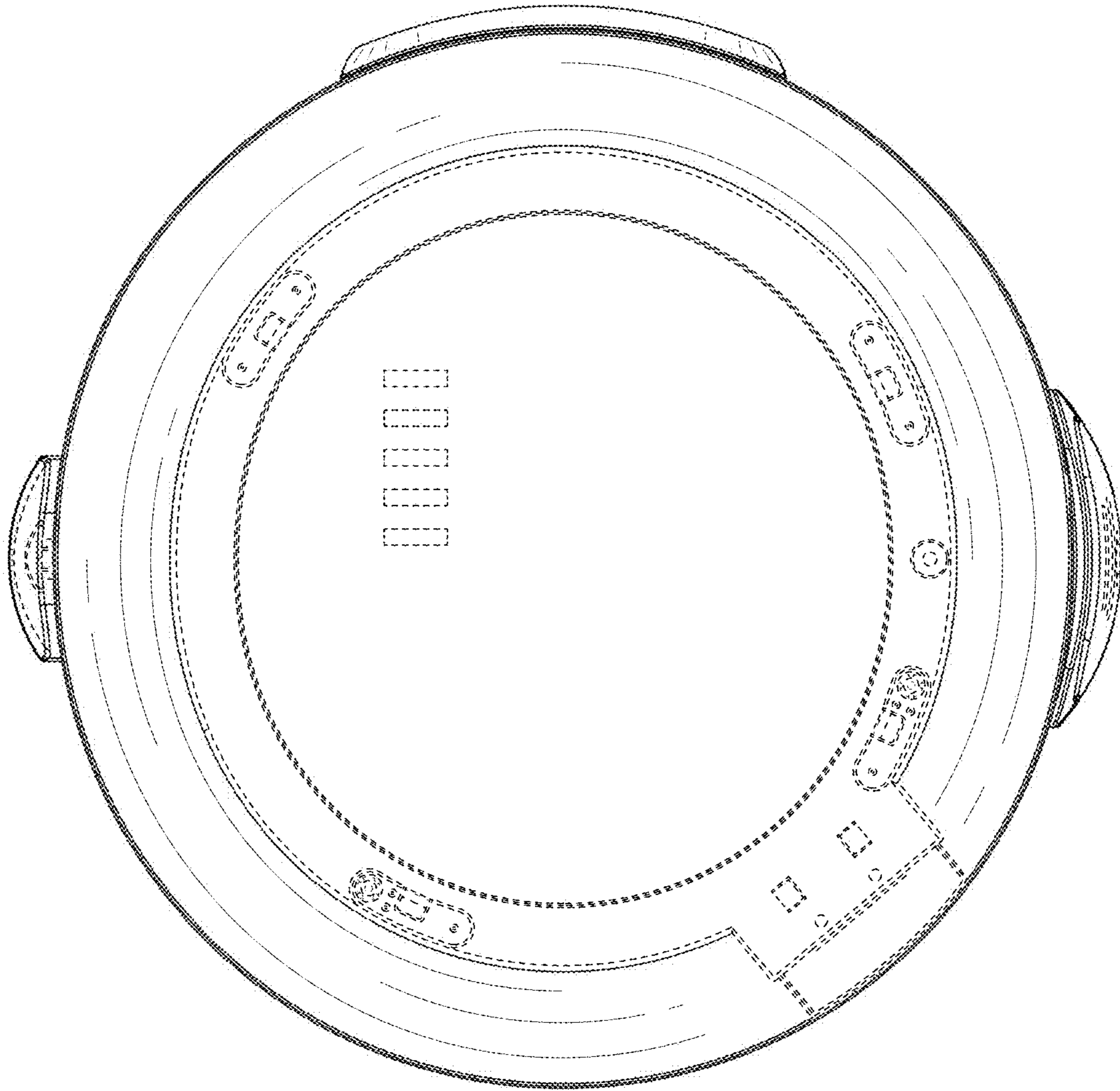


FIG. 21