



US00D984194S

(12) **United States Design Patent** (10) **Patent No.:** **US D984,194 S**  
**Ye** (45) **Date of Patent:** **\*\* Apr. 25, 2023**

(54) **GAS COOKTOP**

(71) Applicant: **HANBANG ELECTRIC APPLIANCE CO., LTD.**, Zhongshan (CN)

(72) Inventor: **Wenyi Ye**, Zhongshan (CN)

(\*\*) Term: **15 Years**

(21) Appl. No.: **29/748,749**

(22) Filed: **Sep. 1, 2020**

(51) **LOC (14) Cl.** ..... **07-02**

(52) **U.S. Cl.**  
USPC ..... **D7/346**

(58) **Field of Classification Search**  
USPC ..... D7/323, 336, 339-341, 346-348, 352, D7/362, 365, 402, 407-409, 416; D21/523-525; D23/397, 402, 415  
CPC ..... F24C 3/002; F24C 3/008; F24C 3/022; F24C 3/027; F24C 3/08; F24C 3/082; F24C 3/087; F24C 7/00; F24C 7/002; F24C 7/046; F24C 7/067; F24C 15/02; F24C 15/04; F24C 15/10; F24C 15/102; F24C 15/107  
See application file for complete search history.

(56) **References Cited**

**U.S. PATENT DOCUMENTS**

- 1,477,971 A \* 12/1923 McGowan ..... F24C 3/027  
126/40
- 2,580,698 A \* 1/1952 Perlman ..... F24C 15/104  
219/459.1
- D169,260 S \* 4/1953 Hupp ..... D7/346
- D190,066 S \* 4/1961 Kamin ..... D7/346
- D199,164 S \* 9/1964 Simpkins ..... D7/364
- D205,820 S \* 9/1966 Ryan ..... D7/364
- D264,673 S \* 6/1982 Schreder ..... D7/346
- D276,492 S \* 11/1984 Sasaki ..... D7/346
- D304,990 S \* 12/1989 Springer ..... D7/367
- D326,387 S \* 5/1992 Monitto ..... D7/346

- D342,641 S \* 12/1993 Falk ..... D7/407
- D343,336 S \* 1/1994 Falk ..... D7/346
- D393,567 S \* 4/1998 Ashcraft ..... D7/346
- D611,293 S \* 3/2010 Chung ..... D7/337
- D804,245 S \* 12/2017 Segers ..... D7/402
- 2009/0283090 A1 \* 11/2009 Garvin ..... F24C 3/085  
126/39 E

(Continued)

**FOREIGN PATENT DOCUMENTS**

CA 138993 \* 7/2011

**OTHER PUBLICATIONS**

Gas Stove Gas Cooktop 2 Burners, announced Jun. 6, 2020, [site visited Dec. 2, 2021], Available from internet URL: [https://www.amazon.com/dp/B08SHWRR4/ref=redir\\_mobile\\_desktop?\\_encoding=UTF8&psc=1&ref\\_=sspa\\_mw\\_detail\\_0](https://www.amazon.com/dp/B08SHWRR4/ref=redir_mobile_desktop?_encoding=UTF8&psc=1&ref_=sspa_mw_detail_0) (Year: 2020).\*

(Continued)

*Primary Examiner* — Andrew Kerr  
*Assistant Examiner* — Chariton Alexakis  
(74) *Attorney, Agent, or Firm* — Runit Ranjit Kanakia

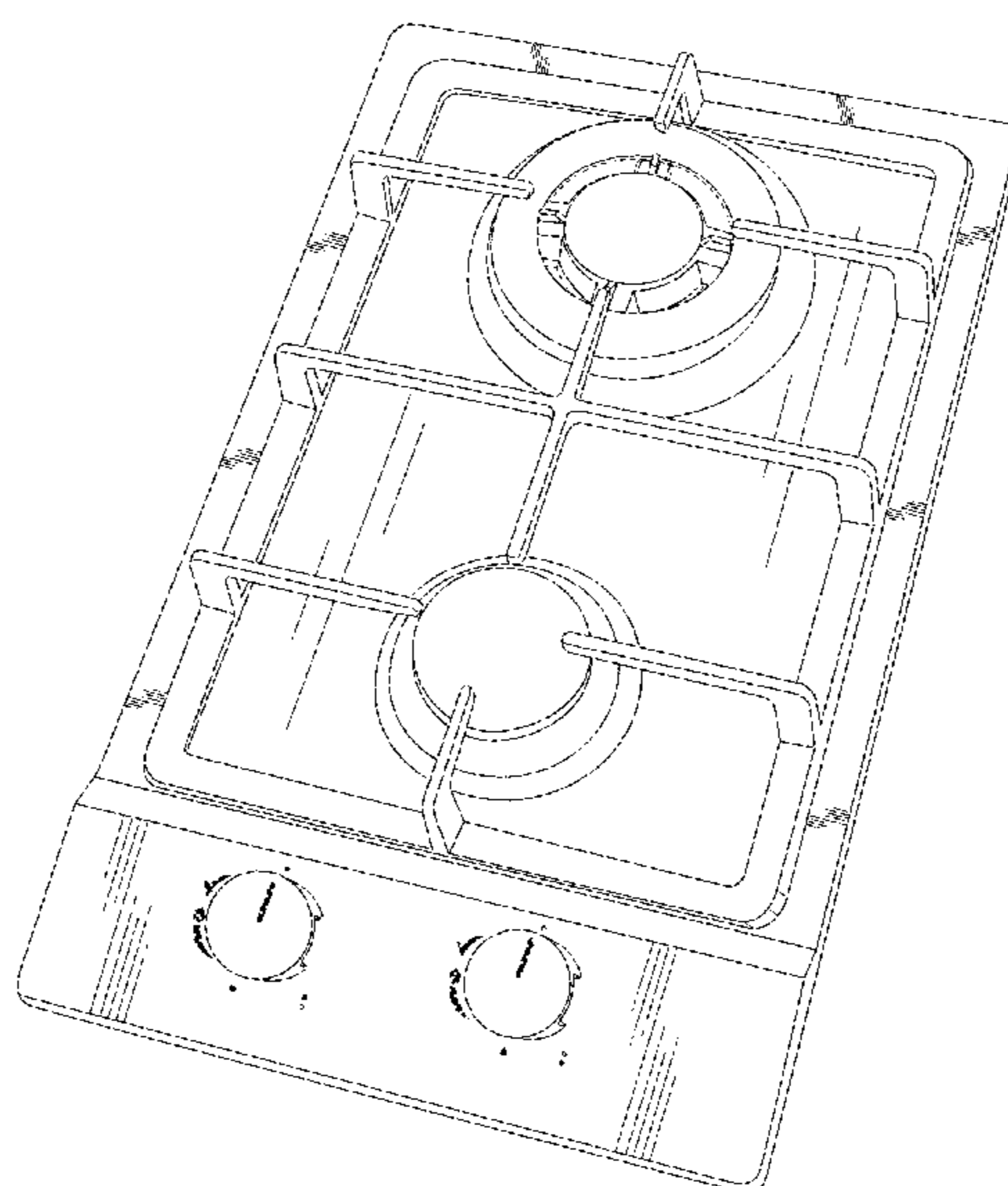
(57) **CLAIM**

I claim the ornamental design for a gas cooktop, as shown and described.

**DESCRIPTION**

FIG. 1 is a Perspective view of a gas cooktop showing my new design;  
FIG. 2 is a Front view thereof;  
FIG. 3 is a Back view thereof;  
FIG. 4 is a Left-side view thereof;  
FIG. 5 is a Right-side view thereof;  
FIG. 6 is a Top elevation view thereof; and,  
FIG. 7 is a Bottom view thereof.  
The broken lines are for the purpose of illustrating portions of the article that form no part of the claim.

**1 Claim, 5 Drawing Sheets**



(56)

**References Cited**

U.S. PATENT DOCUMENTS

2020/0096201 A1\* 3/2020 Gabriel ..... F24C 3/008

OTHER PUBLICATIONS

Built-in Gas Cooktop, announced Oct. 23, 2018, [site visited Dec. 2, 2021], Available from internet URL: [https://www.amazon.com/dp/B07G36D547/ref=cm\\_sw\\_em\\_r\\_mt\\_dp\\_9CC7RD6DAFHVCWGE4YGR?\\_encoding=UTF8&psc=1](https://www.amazon.com/dp/B07G36D547/ref=cm_sw_em_r_mt_dp_9CC7RD6DAFHVCWGE4YGR?_encoding=UTF8&psc=1) (Year: 2018).\*

Visotech 12" Gas Cooktop 2 Burners, announced Mar. 4, 2021, [site visited Dec. 2, 2021], available from internet URL: [https://www.amazon.com/VISOTECH-Cooktop-Burners-Stainless-Device-Silver/dp/B08XYN6LKY/ref=psdc\\_3741261\\_t4\\_B08SHWWRR](https://www.amazon.com/VISOTECH-Cooktop-Burners-Stainless-Device-Silver/dp/B08XYN6LKY/ref=psdc_3741261_t4_B08SHWWRR) (Year: 2021).\*

GDNT Gas Cooktop, posted at Amazon.com on Jun. 6, 2020, [site visited Apr. 6, 2022]. Available from internet, URL: <https://www.amazon.com/dp/B08SHWWRR4/> (Year: 2020).\*

HBHob 12 inches Gas Cooktop 2 Burner Stainless Steel Hob LPG Portable in/outdoor, <https://www.ebay.com/hk/itm/293690985632>; Aug. 14, 2020.

<https://cnhbhob.com/>, Mar. 1, 2020.

HBHob 12 inches Gas Cooktop 2 Burner Stainless Steel Hob LPG Portable in/outdoor, <https://www.ebay.com/itm/293595854130>; May 28, 2020.

\* cited by examiner

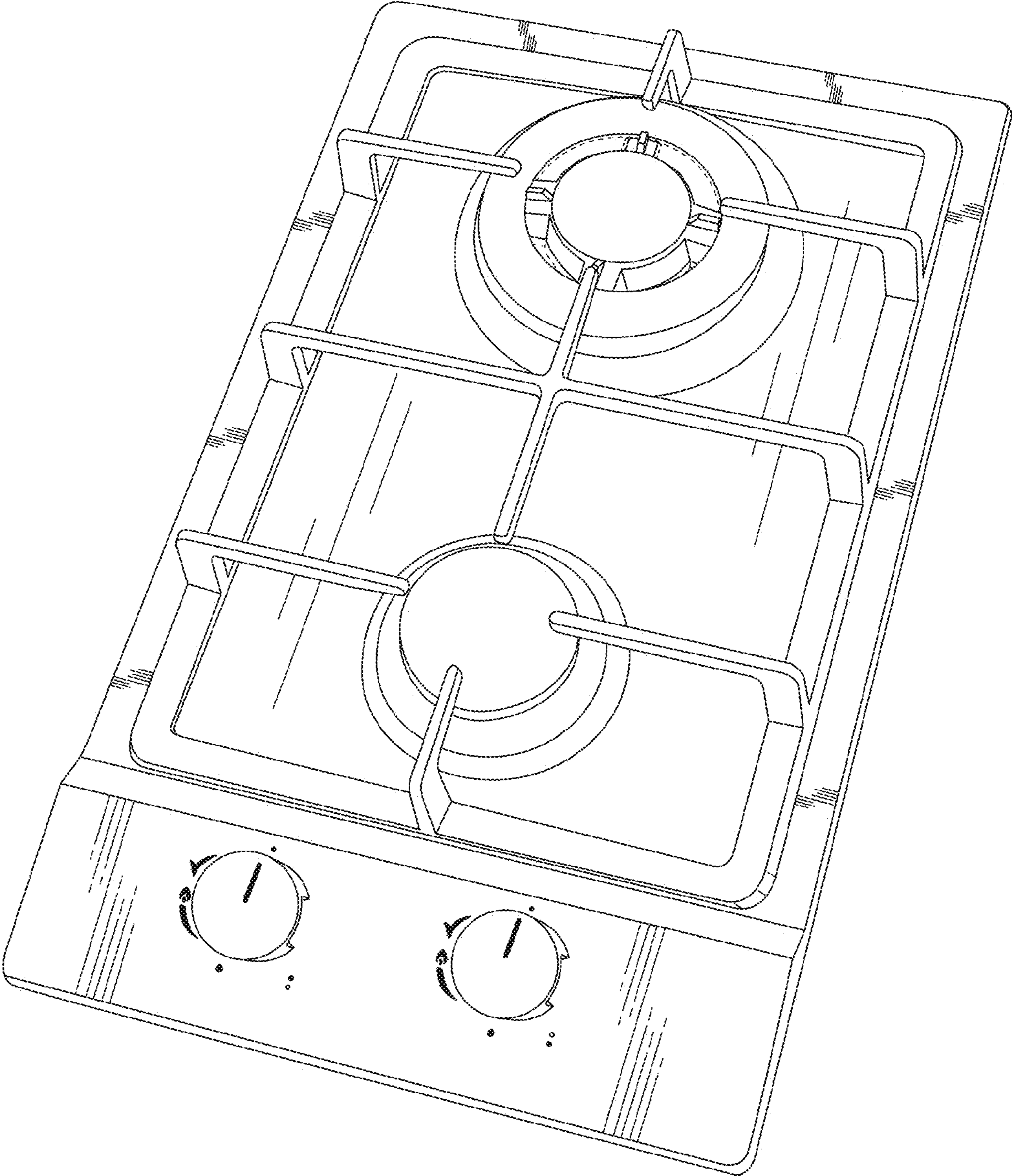


FIG. 1

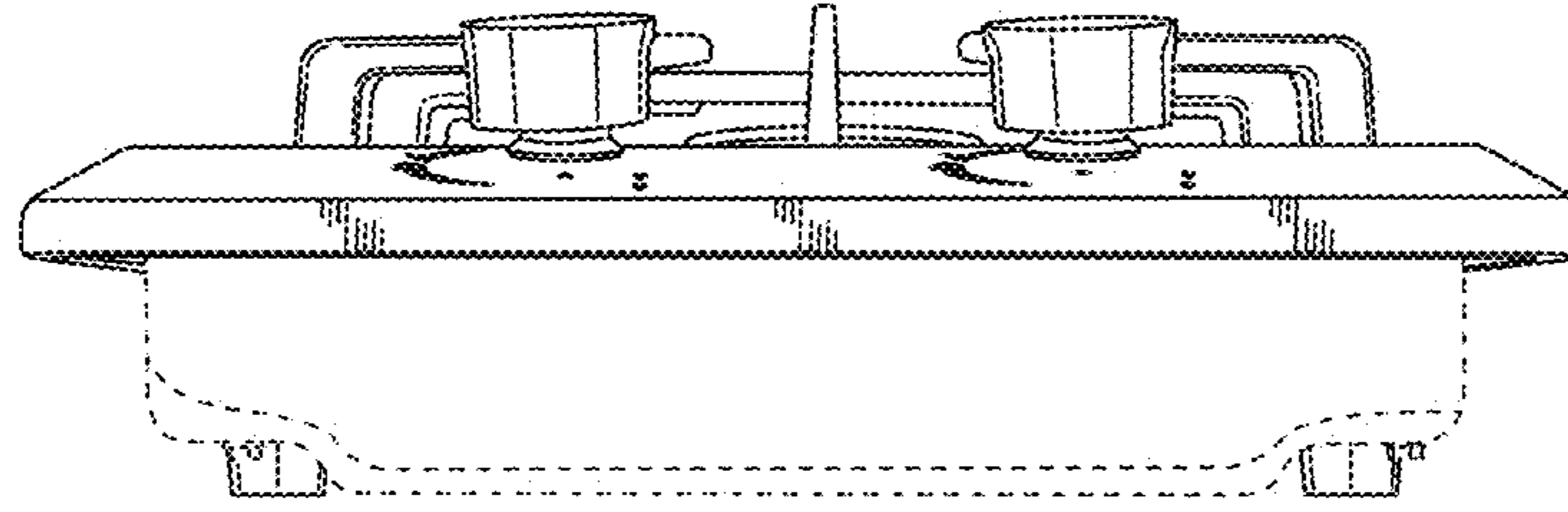


FIG. 2

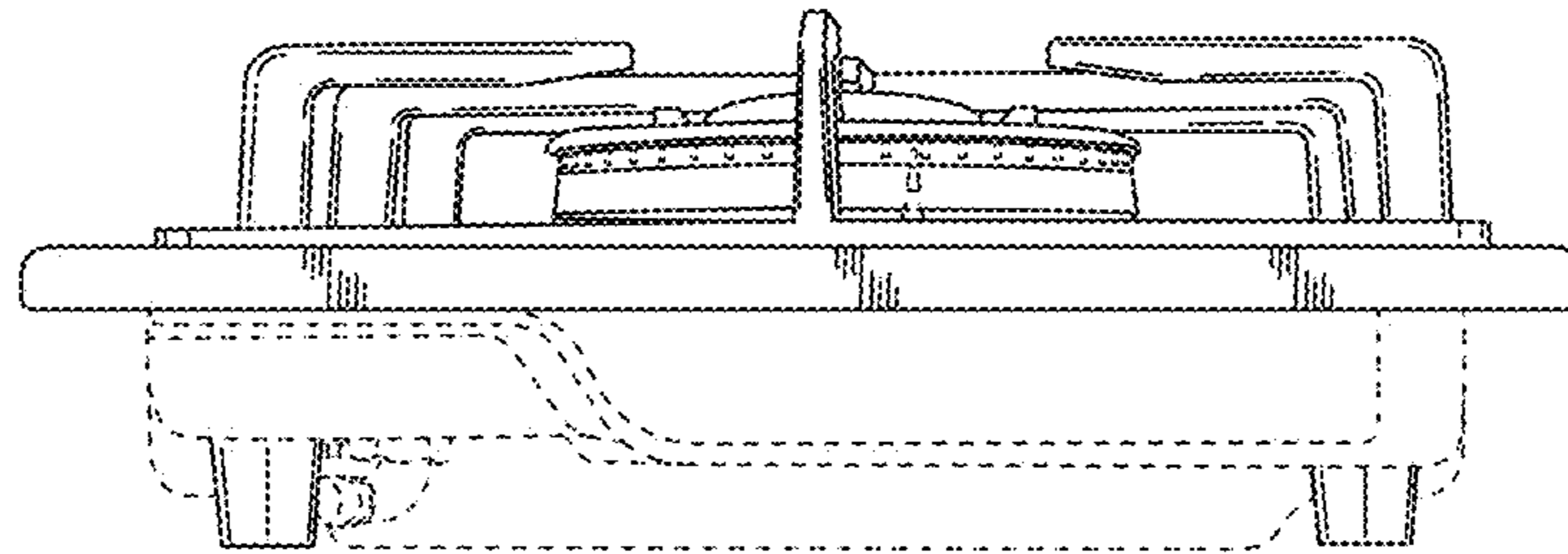


FIG. 3



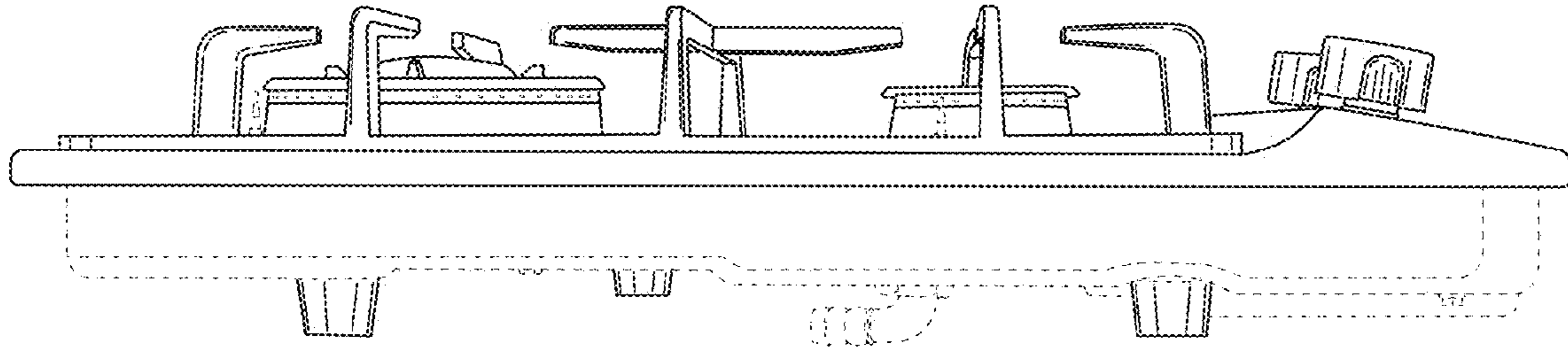


FIG.5

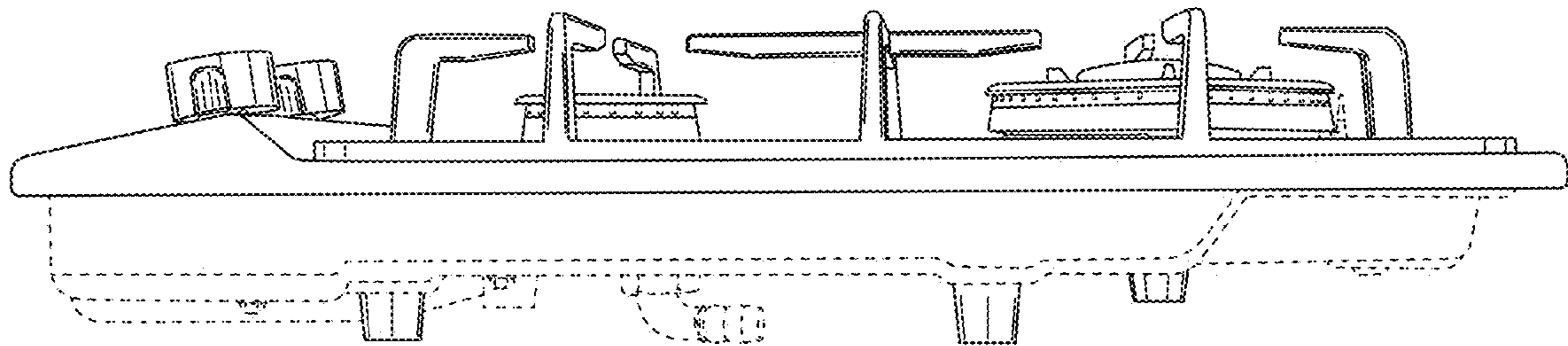


FIG.4

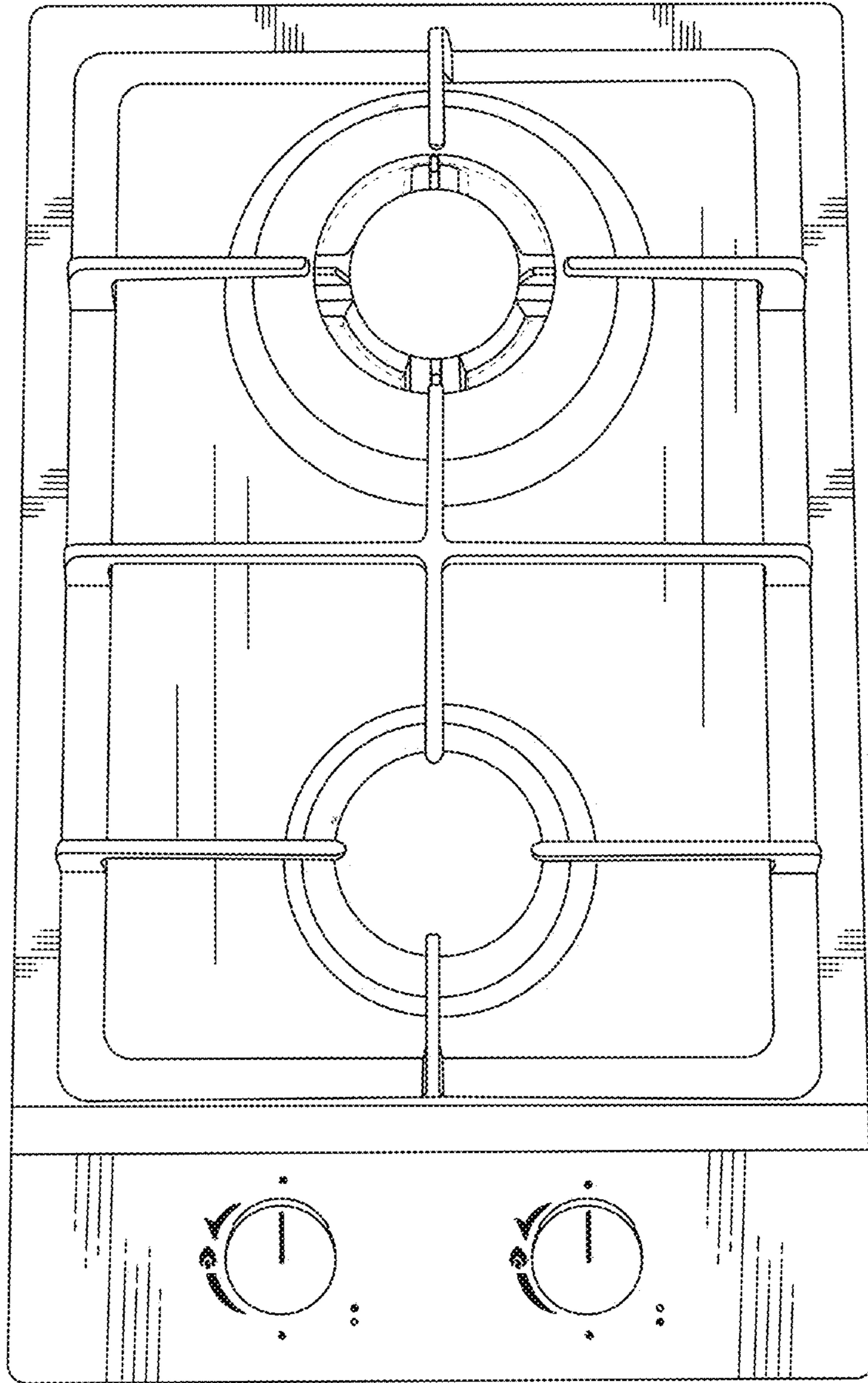


FIG.6

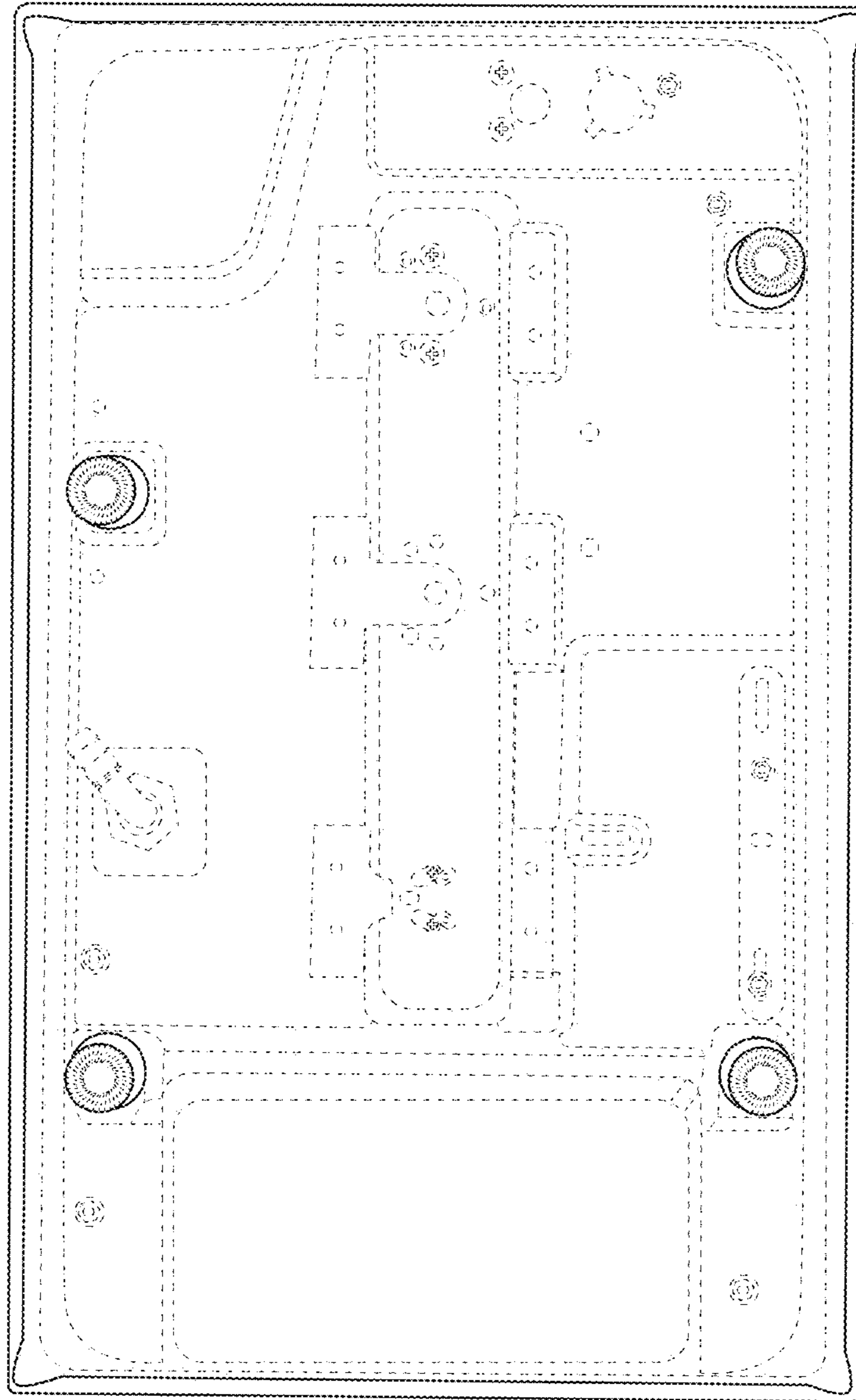


FIG.7