



US00D984193S

(12) **United States Design Patent** (10) **Patent No.:** **US D984,193 S**
Baerenwald et al. (45) **Date of Patent:** **** *Apr. 25, 2023**

(54) **CONTAINER FOR DISPENSING BAGGED LIQUIDS**

FOREIGN PATENT DOCUMENTS

(71) Applicant: **BOXIE LLC**, Minnetonka, MN (US)

CN 103261084 A 8/2013
CN 304561974 * 3/2018

(Continued)

(72) Inventors: **Alison C. Baerenwald**, Minnetonka, MN (US); **Brooks H. Lindall**, Eden Prairie, MN (US); **Mark A. Vaughn**, Appleton, WI (US)

OTHER PUBLICATIONS

Koerner, Brendan I., "Thinking Outside the Cardboard," Jan. 14, 2007, The New York Times, www.nytimes.com/2007/01/14/business/yourmoney/14goods.html (Year: 2007).*

(Continued)

(73) Assignee: **Boxie LLC**, Minnetonka, MN (US)

(*) Notice: This patent is subject to a terminal disclaimer.

Primary Examiner — Joseph Kukella

Assistant Examiner — Arva P Adams

(**) Term: **15 Years**

(74) *Attorney, Agent, or Firm* — Dicke, Billig & Czaja, PLLC

(21) Appl. No.: **29/829,431**

(57) **CLAIM**

The ornamental design for a container for dispensing bagged liquids, as shown and described.

(22) Filed: **Mar. 4, 2022**

DESCRIPTION

Related U.S. Application Data

(63) Continuation-in-part of application No. 29/826,439, filed on Feb. 11, 2022.

(51) **LOC (14) Cl.** **31-00**

(52) **U.S. Cl.**
USPC **D7/311**; D7/306

(58) **Field of Classification Search**
USPC D6/542, 543; D7/300, 306, 311–313, D7/397–399; D9/431, 721; D30/121, D30/122, 126, 132, 133

(Continued)

(56) **References Cited**

U.S. PATENT DOCUMENTS

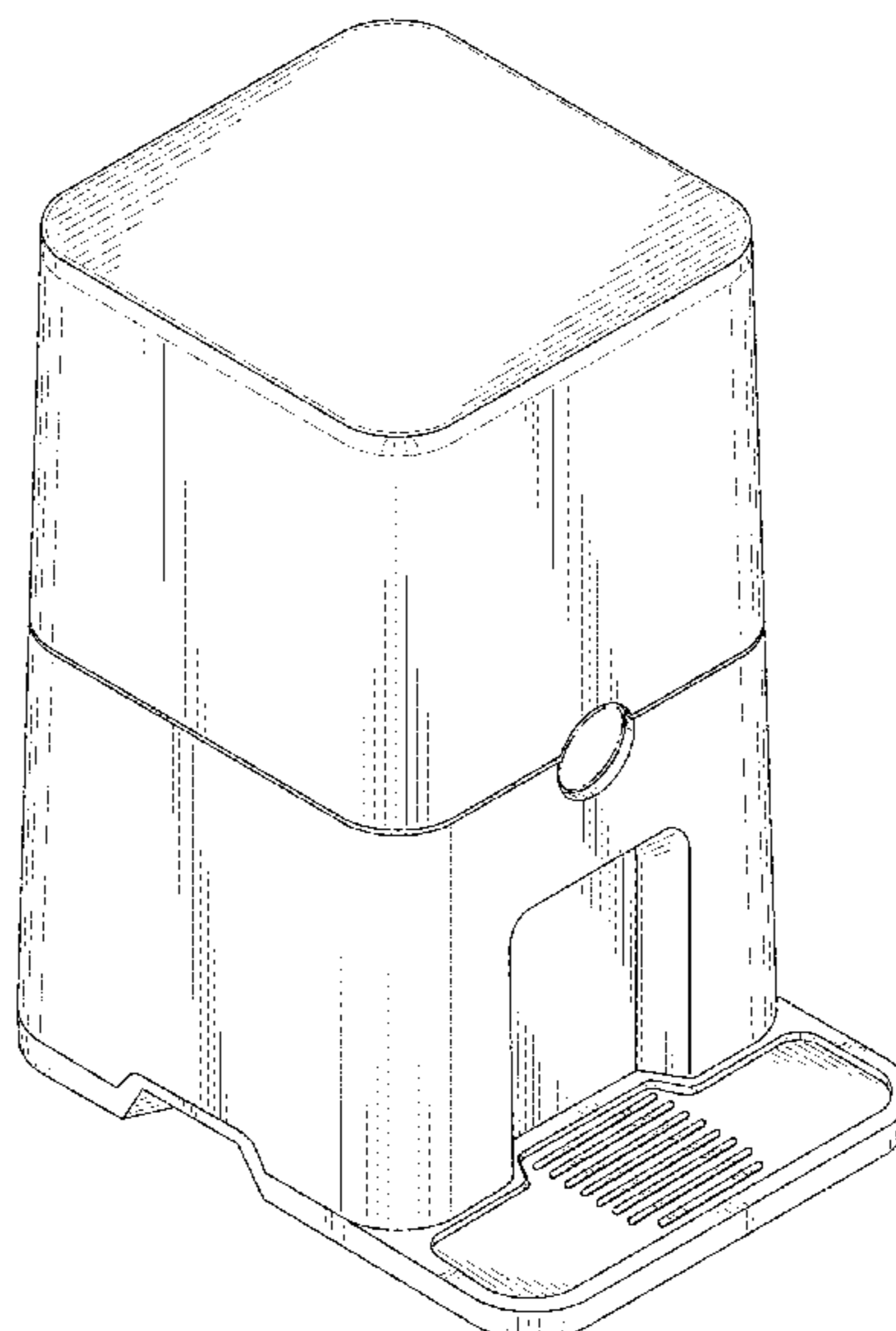
D92,892 S * 7/1934 Frick D7/306
D225,883 S * 1/1973 Di Piero D7/313

(Continued)

FIG. 1 is a front, left perspective view of a container for dispensing bagged liquids showing my new design; FIG. 2 is a front elevation view of the container for dispensing bagged liquids thereof; FIG. 3 is a rear elevation view of the container for dispensing bagged liquids thereof; FIG. 4 is a right elevation view of the container for dispensing bagged liquids thereof; FIG. 5 is a left elevation view of the container for dispensing bagged liquids thereof; FIG. 6 is a top plan view of the container for dispensing bagged liquids thereof; FIG. 7 is a bottom plan view of the container for dispensing bagged liquids thereof; and, FIG. 8 is bottom perspective view of the container for dispensing bagged liquids thereof.

The dot-dash broken lines show a boundary of the claim, and form no part of the claimed design.

1 Claim, 8 Drawing Sheets



US D984,193 S

Page 2

(58) **Field of Classification Search**

CPC A47J 31/41; A47J 31/44; B65D 77/062;
B65D 77/067

See application file for complete search history.

D897,049 S * 9/2020 Zeng D30/121
D897,609 S * 9/2020 Loiseau D30/122
D965,232 S * 9/2022 Chen D30/122
2007/0245765 A1 10/2007 Casher
2012/0104041 A1 5/2012 Coleman et al.
2012/0305595 A1* 12/2012 Braun B67D 3/0067
222/105

(56) **References Cited**

U.S. PATENT DOCUMENTS

D235,599 S * 7/1975 Benty D6/543
D269,517 S * 6/1983 Vogel D7/311
D271,496 S * 11/1983 Lents D15/80
D331,683 S * 12/1992 Koester D7/397
D358,325 S * 5/1995 McNaughton D9/733
D364,942 S * 12/1995 VanSkiver D30/132
6,516,625 B2 2/2003 Bedard
D573,392 S * 7/2008 Smith D7/311
D703,991 S * 5/2014 Porat B67D 3/0067
D7/311
8,777,059 B2 7/2014 Middleton
8,800,814 B2 8/2014 Braun et al.
8,820,094 B1 9/2014 Casher et al.
D723,318 S * 3/2015 Andreesen D7/307
9,193,512 B2 * 11/2015 Brooks B65D 77/068
D763,619 S * 8/2016 Girardi B65D 77/068
D7/397
D792,673 S * 7/2017 Lloyd D34/7
D793,779 S * 8/2017 Van Ledingham, Jr.
D6/682.1
D813,585 S * 3/2018 Roberts D7/397
D840,735 S * 2/2019 Dutruel D7/311
D846,815 S * 4/2019 Darkwah D30/132
10,343,884 B2 7/2019 Roberts et al.
D885,685 S * 5/2020 Chen D30/122

FOREIGN PATENT DOCUMENTS

CN 211002703 U 7/2020
DE 202020101800 U1 6/2020
EM 001224554-0002 * 9/2010
EP 1932800 A1 6/2008
FR 2003516 A3 10/2020
WO 0230807 A1 4/2002
WO 2012051185 A1 4/2012
WO 2017011336 A1 1/2017

OTHER PUBLICATIONS

Darby, Luke, "Tide is Expanding Its Line of Products That Look Delicious," Nov. 12, 2018, GQ, www.gq.com/story/tide-boxed-detergent-do-not-drink (Year: 2018).*

Ubrew USA, "Fermtech aPourWine Bag Dispensing System," Decem-
bers, 2020, Amazon.com, www.amazon.com/dp/B08PL4K4NW (Year:
2020).*

"Box Wine Elevated," Accessed Oct. 5, 2022, Boxiewine.com
(Year: 2022).*

Wine Nook: "The only way to serve Box Wine"; <https://winenook.com/>, last retrieved May 9, 2022 (See Exhibit A).

* cited by examiner

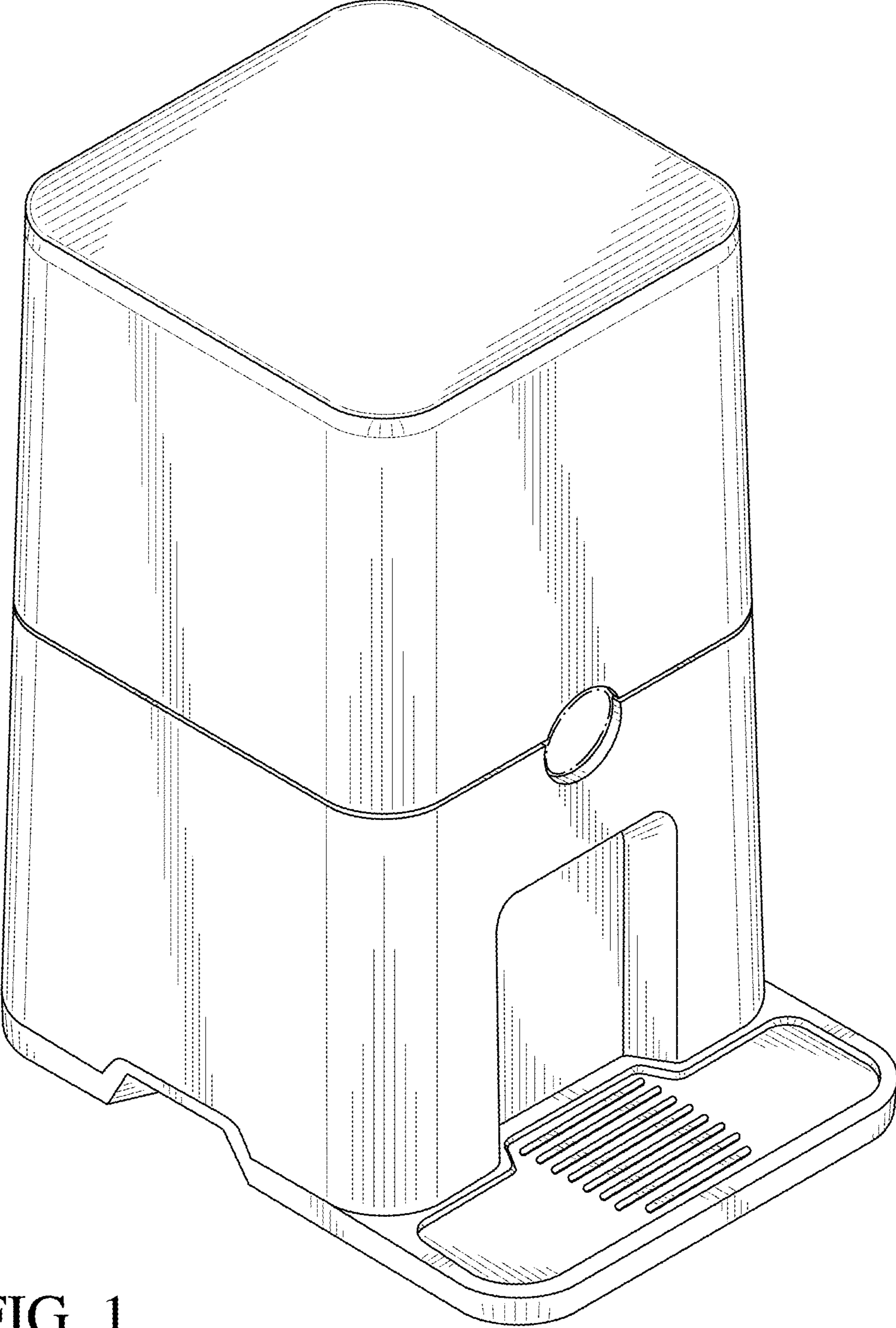


FIG. 1

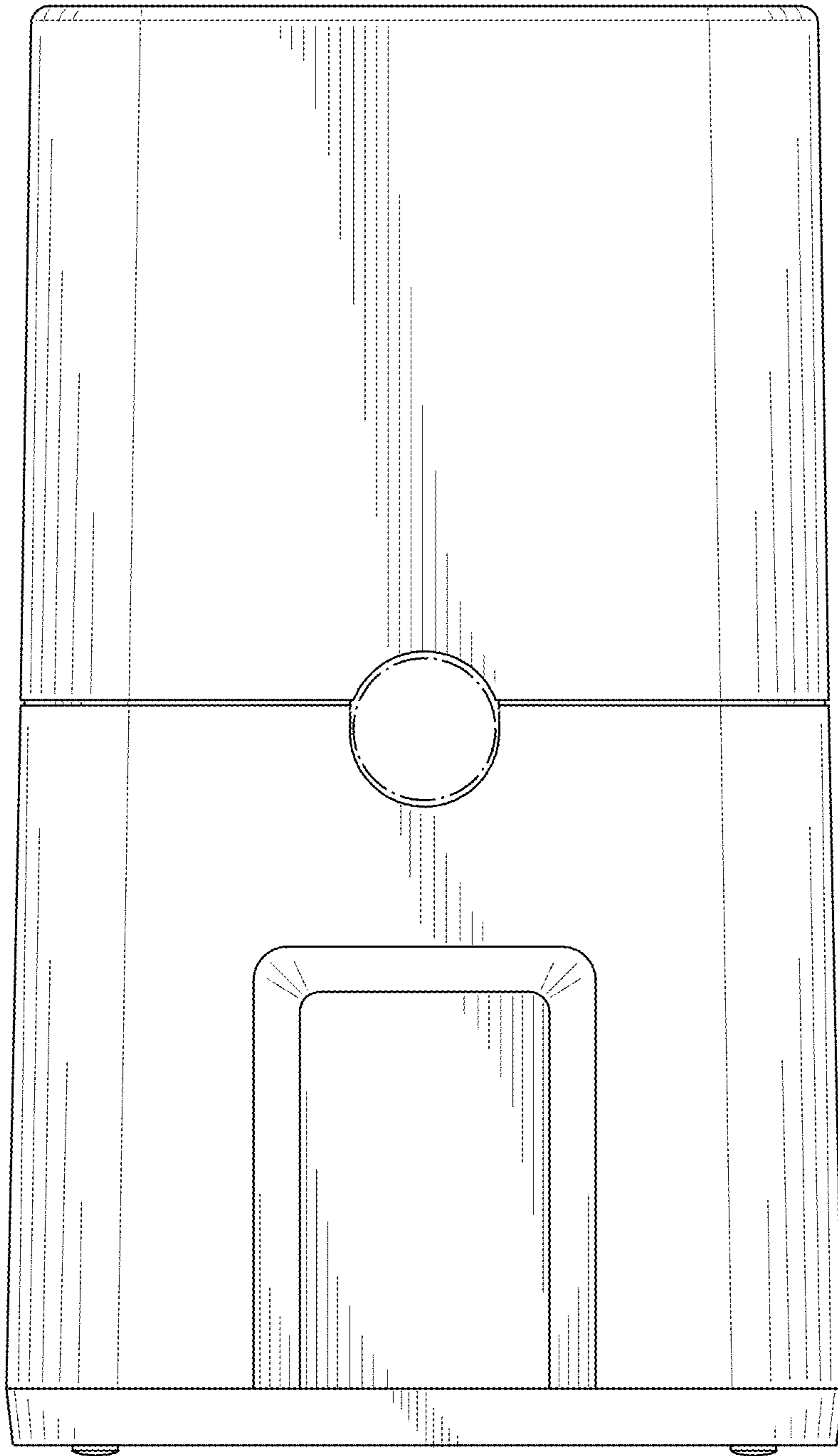


FIG. 2

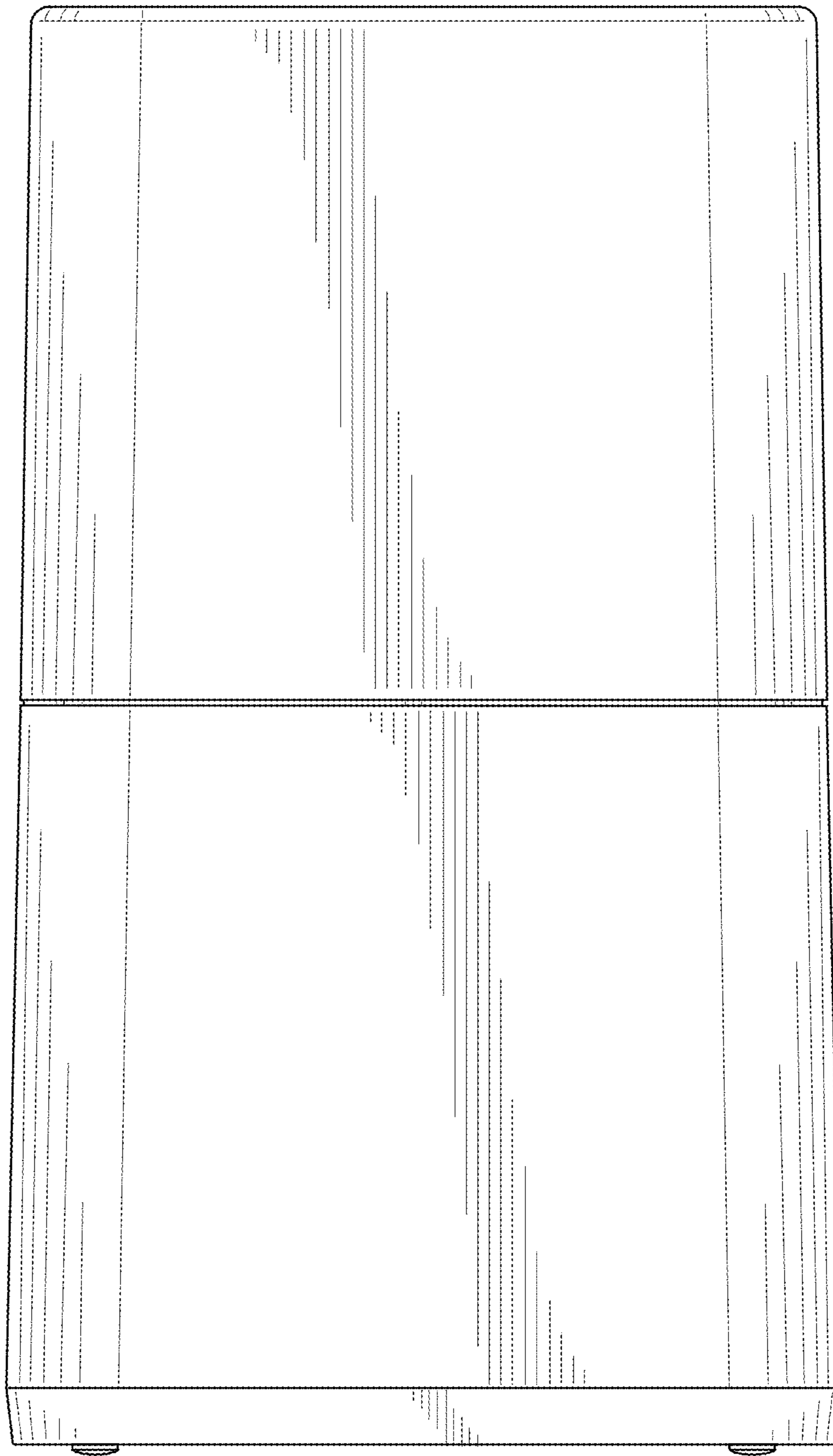


FIG. 3

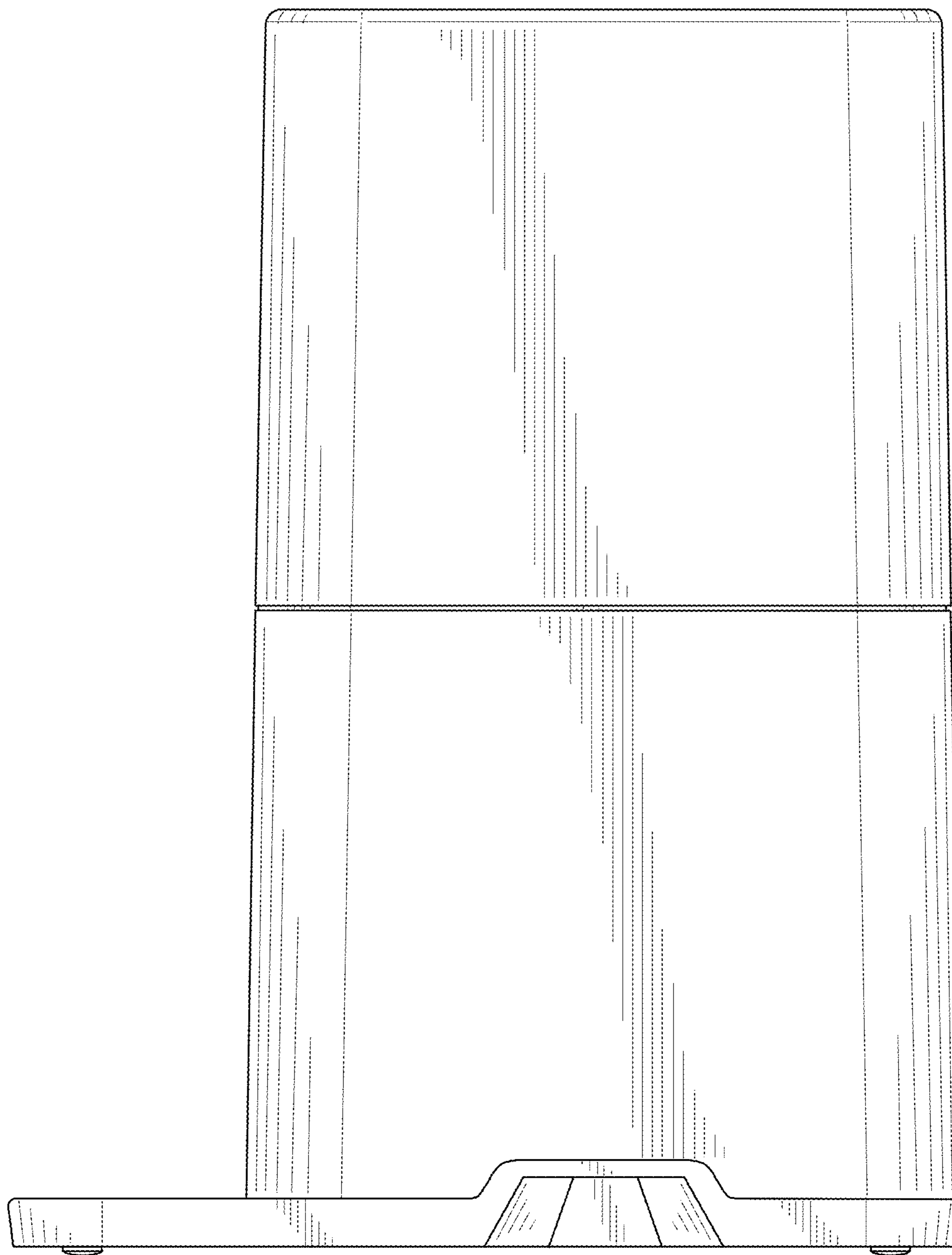


FIG. 4

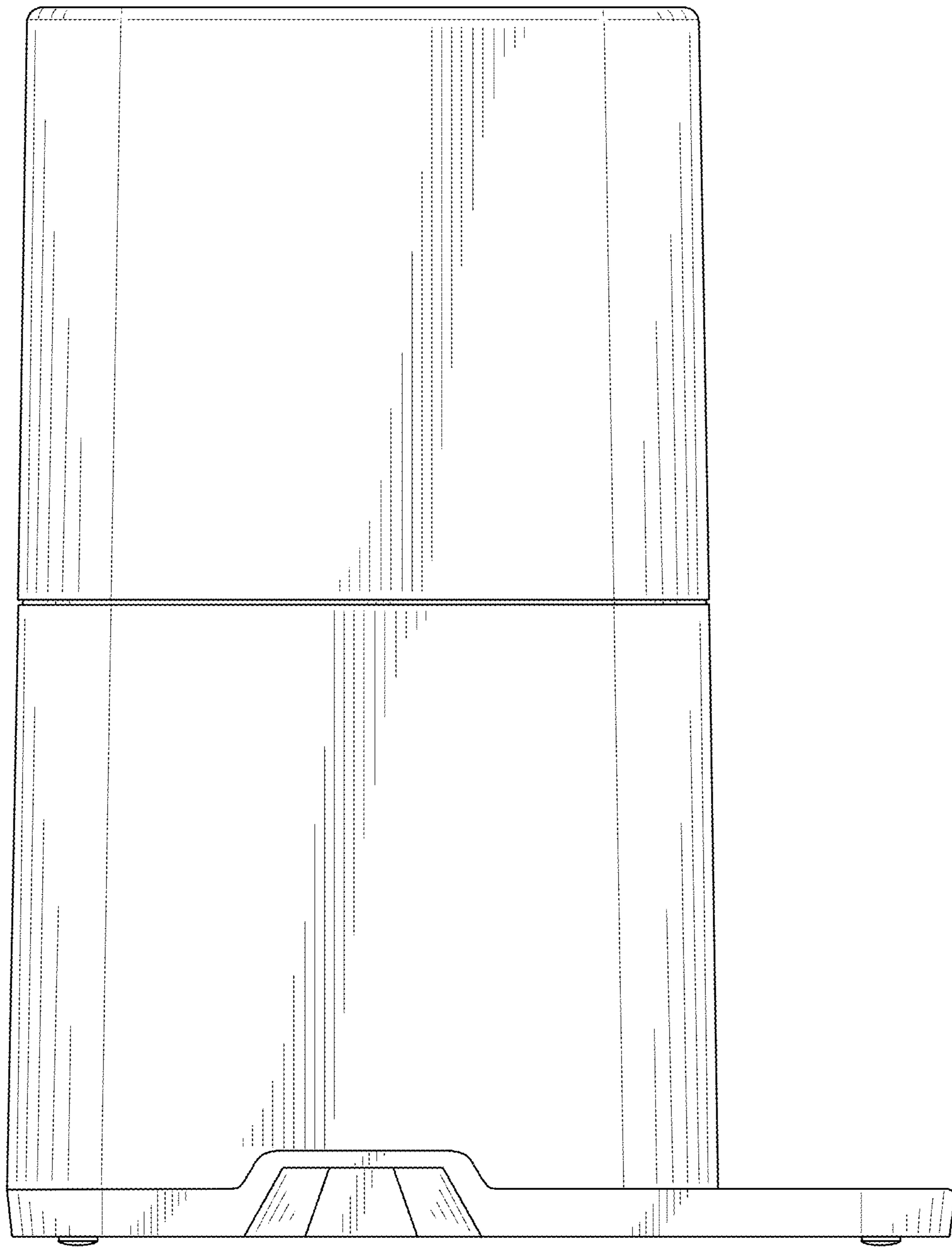


FIG. 5

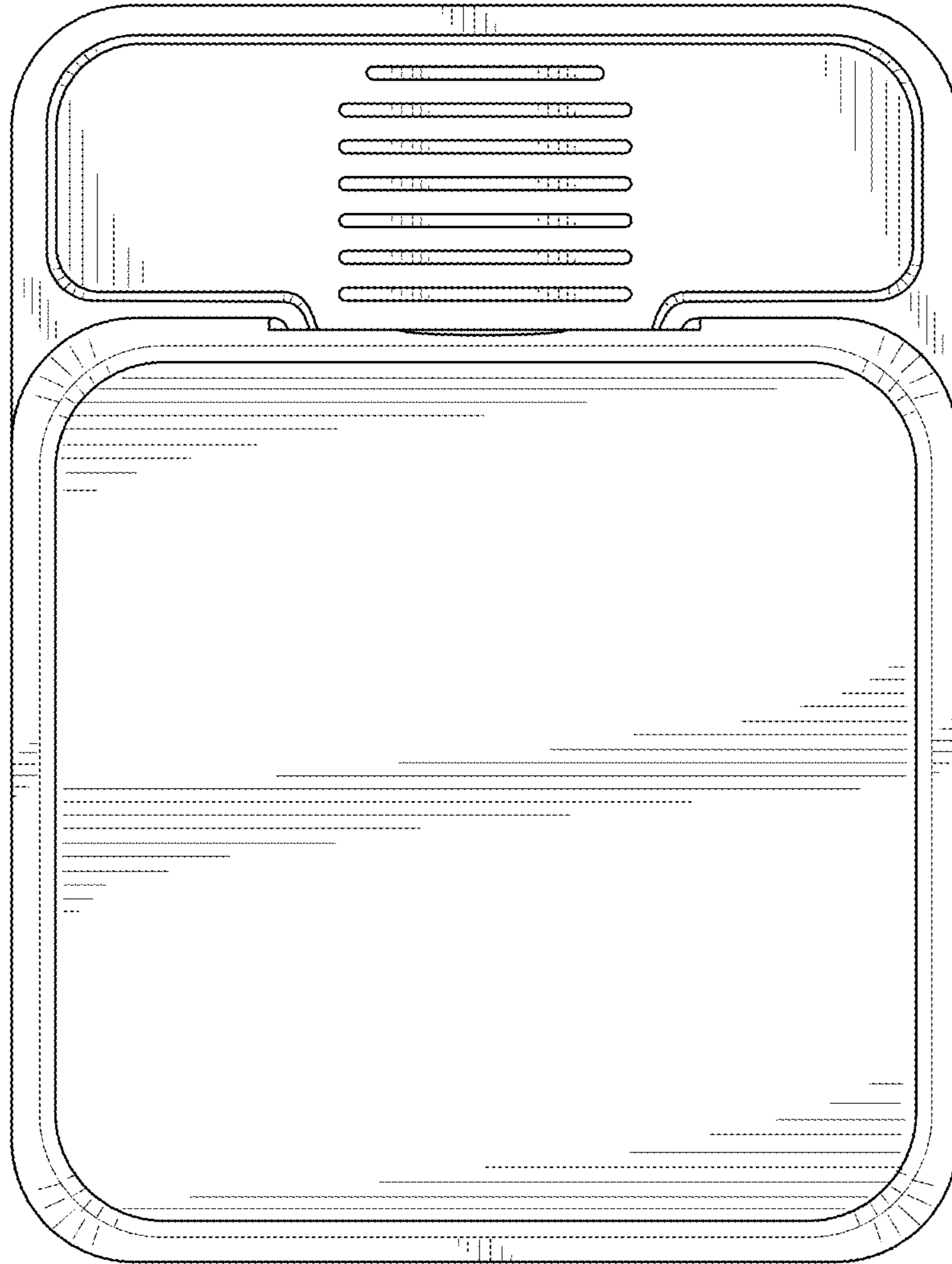


FIG. 6

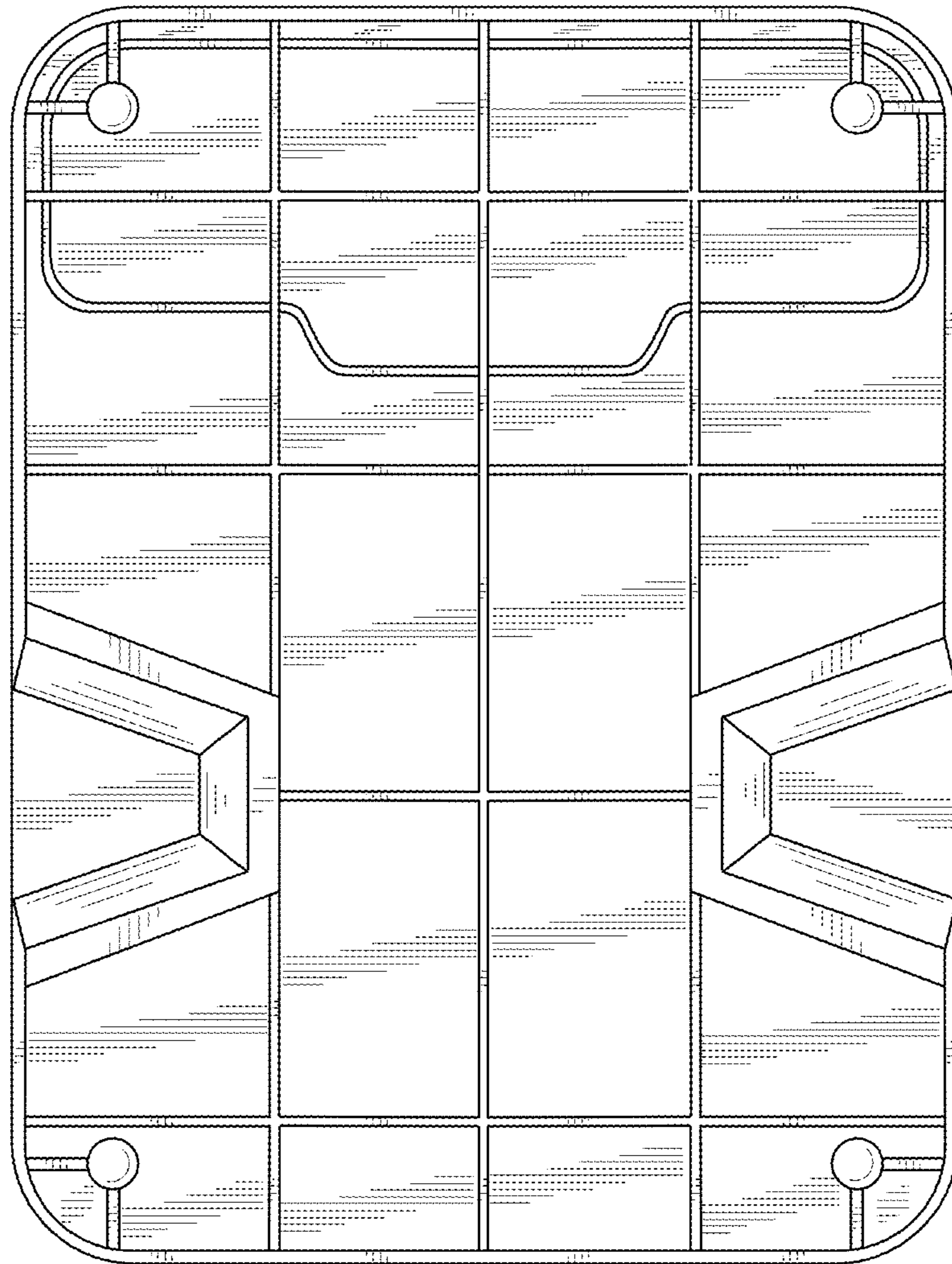


FIG. 7

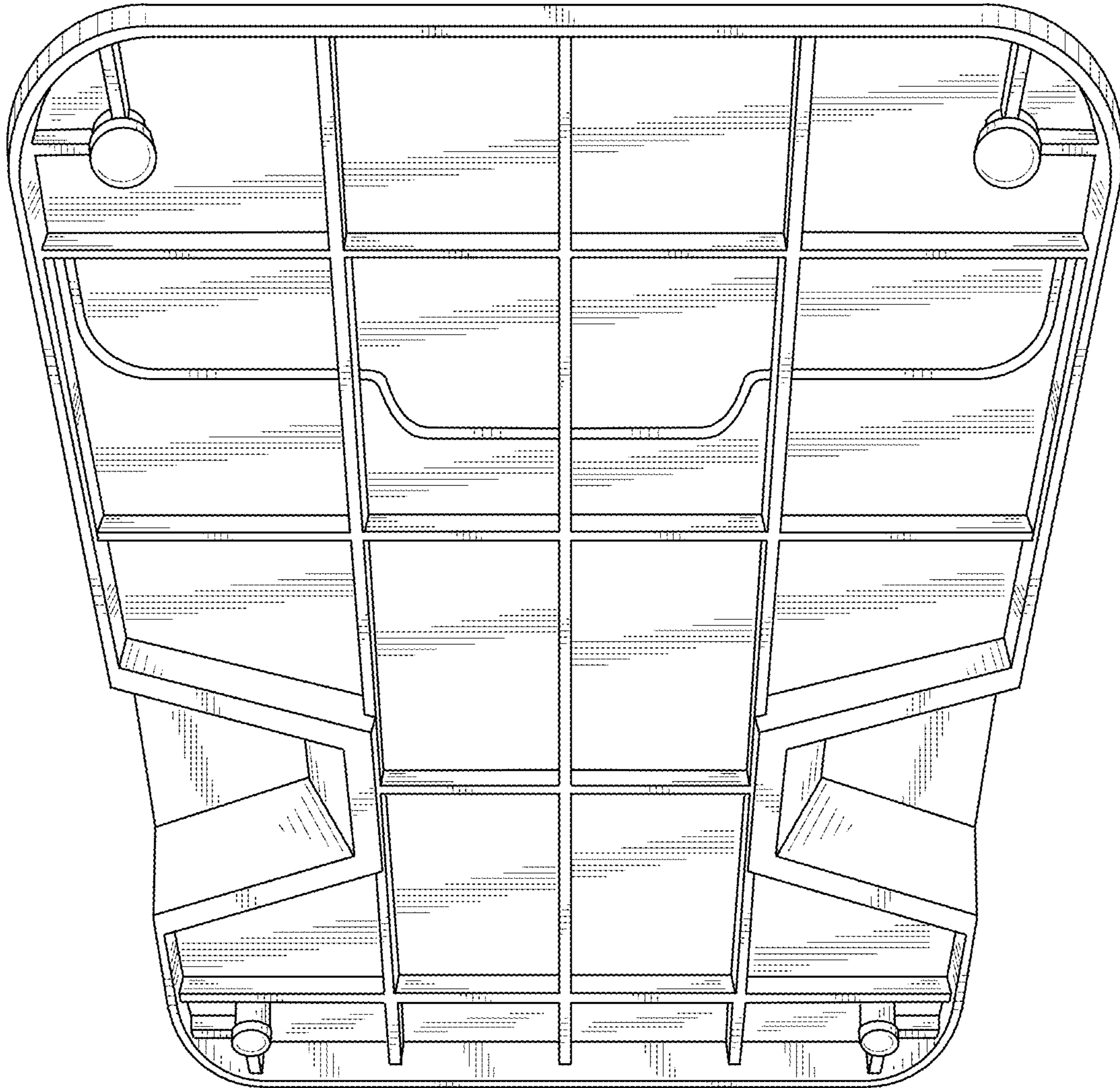


FIG. 8