



US00D984191S

(12) **United States Design Patent** (10) **Patent No.:** **US D984,191 S**
Tai et al. (45) **Date of Patent:** **** Apr. 25, 2023**

(54) **COFFEE MAKER**
(71) Applicant: **TIGER CORPORATION**, Osaka (JP)
(72) Inventors: **Yuchao Tai**, Osaka (JP); **Yujin Morisawa**, Tokyo (JP)
(73) Assignee: **TIGER CORPORATION**, Osaka (JP)
(**) Term: **15 Years**

D317,237 S * 6/1991 Bolivar D7/311
D329,160 S * 9/1992 Choi D7/309
D397,904 S * 9/1998 De' Longhi D7/311
D430,448 S * 9/2000 De' Longhi D7/311
D541,097 S * 4/2007 Leverrier D7/307
D543,771 S * 6/2007 Julemont D7/311
D584,097 S * 1/2009 Lam D7/311
D736,025 S * 8/2015 Kestenbaum D7/311
D770,215 S * 11/2016 Vu D7/311
D775,887 S * 1/2017 Atkin D7/311
D957,176 S * 7/2022 Hellweg D7/311

(21) Appl. No.: **29/814,322**

(22) Filed: **Nov. 4, 2021**

(30) **Foreign Application Priority Data**

Aug. 3, 2021 (JP) 2021-016828 D

(51) **LOC (14) Cl.** **07-01**

(52) **U.S. Cl.**
USPC **D7/309**

(58) **Field of Classification Search**
USPC D7/300, 306, 309, 310, 311, 312, 313
CPC A47G 19/12; A47G 19/14; A47J 31/057;
A47J 31/02; A47J 31/043; A47J 31/053;
A47J 31/0573; A47J 31/44; A47J 31/56;
A47J 31/007; A47J 31/54; B65D
2581/3409

See application file for complete search history.

(56) **References Cited**

U.S. PATENT DOCUMENTS

D242,891 S * 1/1977 Hauenstein D7/309
D243,737 S * 3/1977 Painter D7/309
D250,688 S * 1/1979 Felske D10/2
D253,987 S * 1/1980 Painter D7/309
D254,285 S * 2/1980 Lee D7/309
D269,488 S * 6/1983 Marotta D7/309
D270,699 S * 9/1983 Rakocy D7/309
D274,400 S * 6/1984 Muller D7/309
D277,070 S * 1/1985 Elkerbout D7/309
D299,304 S * 1/1989 Knochner D7/309

OTHER PUBLICATIONS

Tiger Siphonista Automated Siphon Brewing Coffee Maker, amazon.com, first available date: Jun. 29, 2022. Retrieved from the internet Jan. 24, 2023<<https://www.amazon.com/dp/B0B529FC62?> (Year: 2022).*

* cited by examiner

Primary Examiner — Joseph Kukella
Assistant Examiner — Darryl J Dardenne
(74) *Attorney, Agent, or Firm* — JCIPRNET

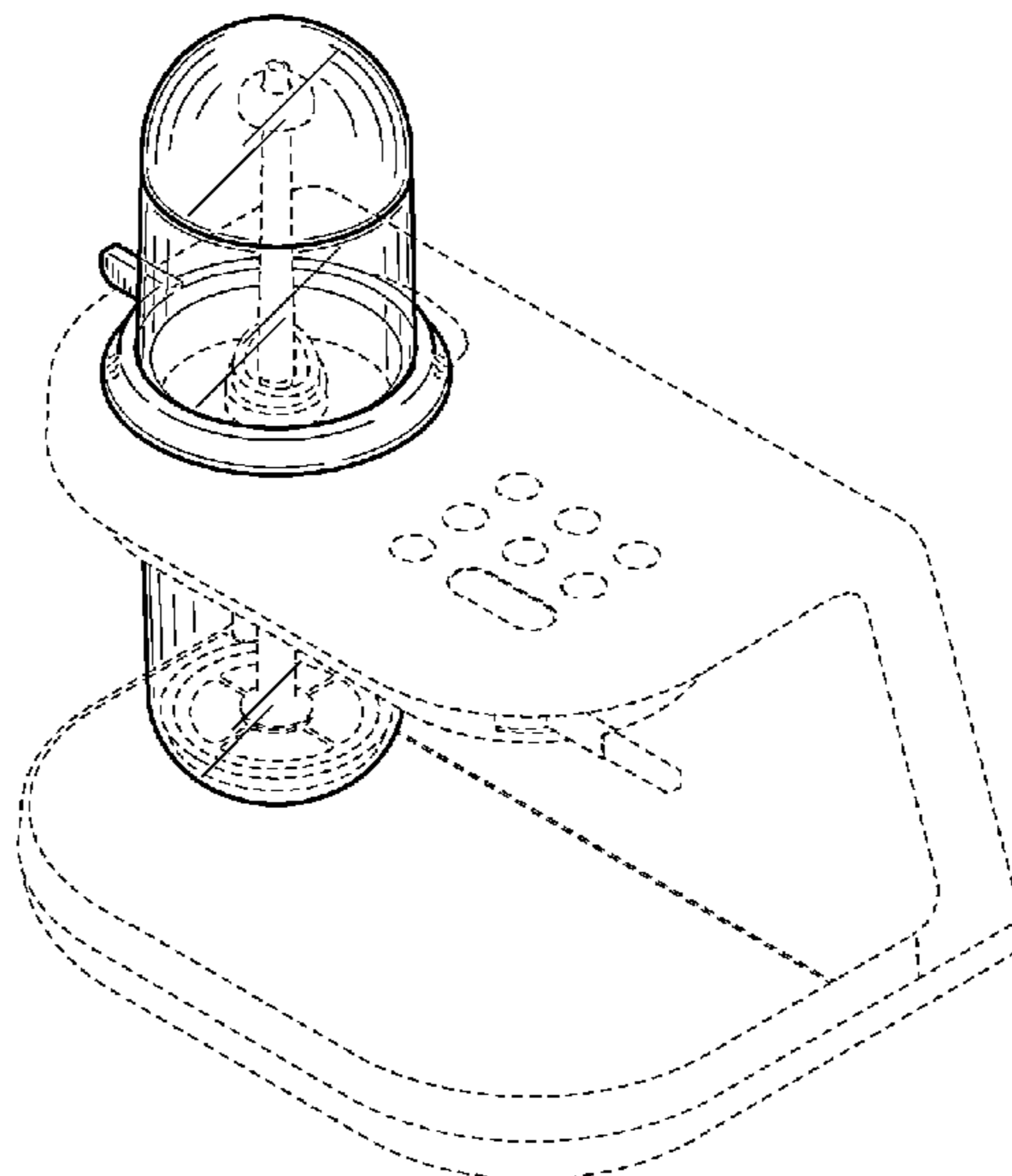
(57) **CLAIM**

The ornamental design for a coffee maker, as shown and described.

DESCRIPTION

FIG. 1 is a perspective view of a coffee maker showing our new design;
FIG. 2 is a front view thereof;
FIG. 3 is a rear view thereof;
FIG. 4 is a left side view thereof;
FIG. 5 is a right side view thereof;
FIG. 6 is a top view thereof; and,
FIG. 7 is a bottom view thereof.
The broken lines illustrate portions of the coffee maker that form no part of the claimed design.

1 Claim, 4 Drawing Sheets



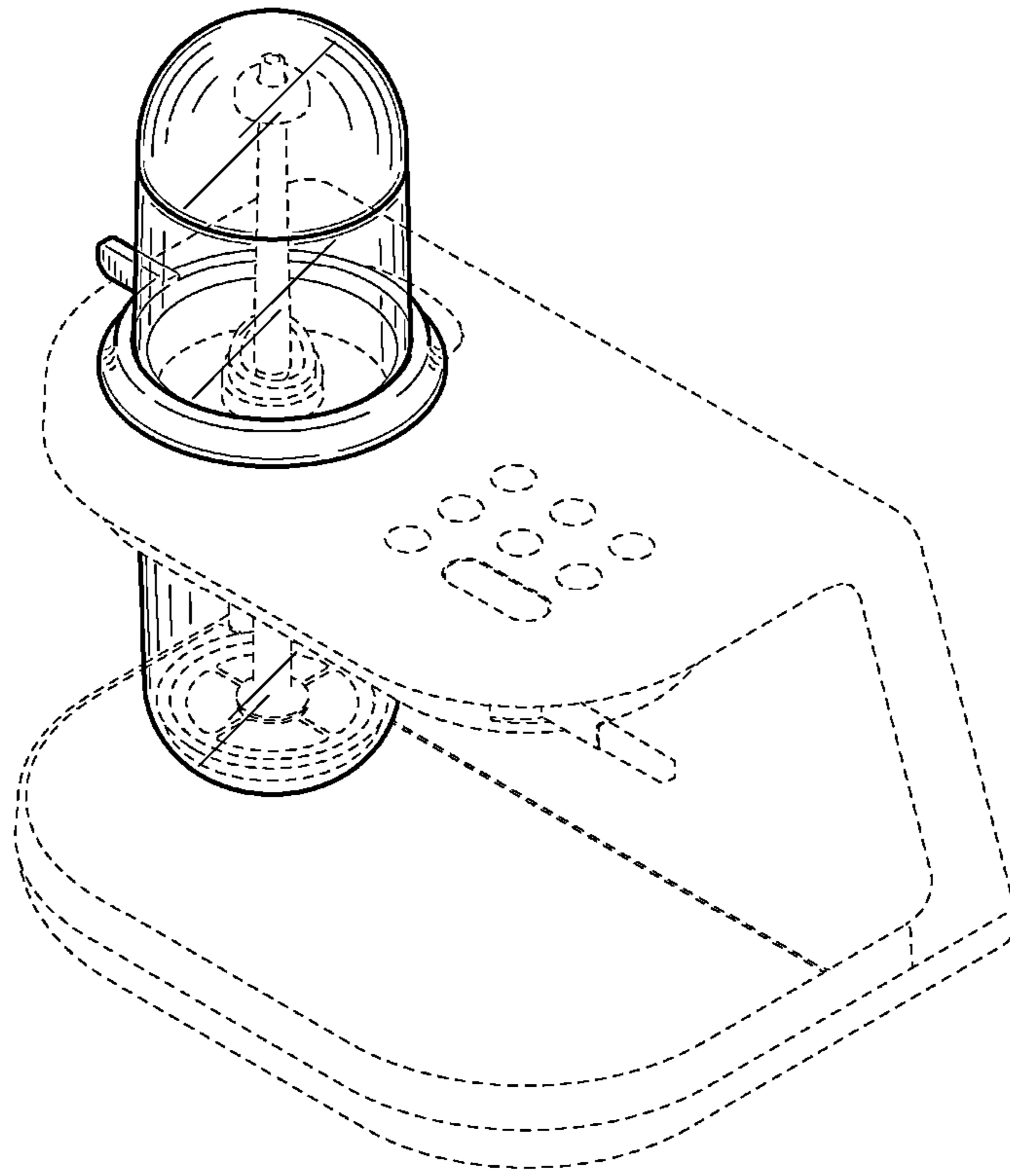


FIG. 1

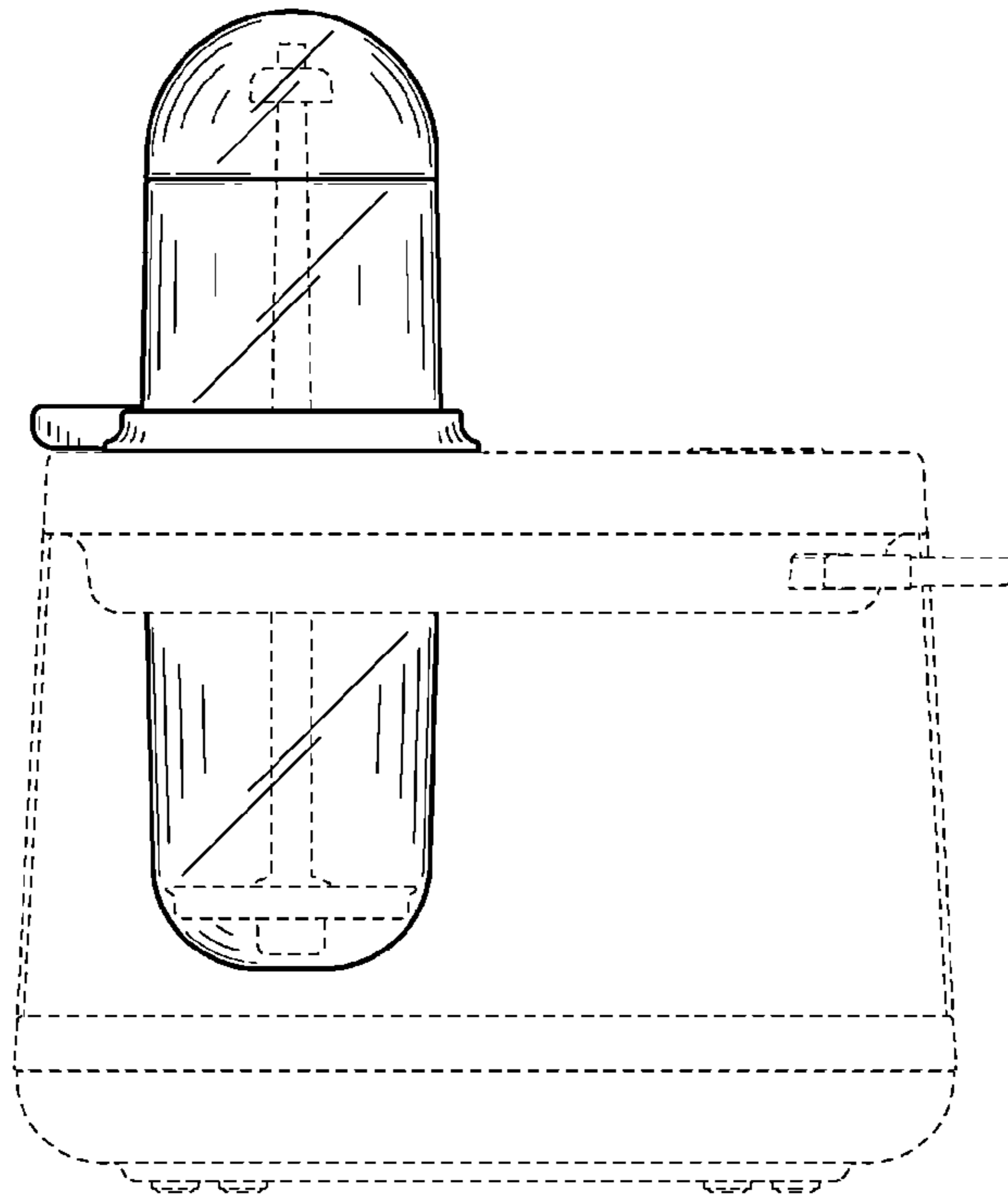


FIG. 2

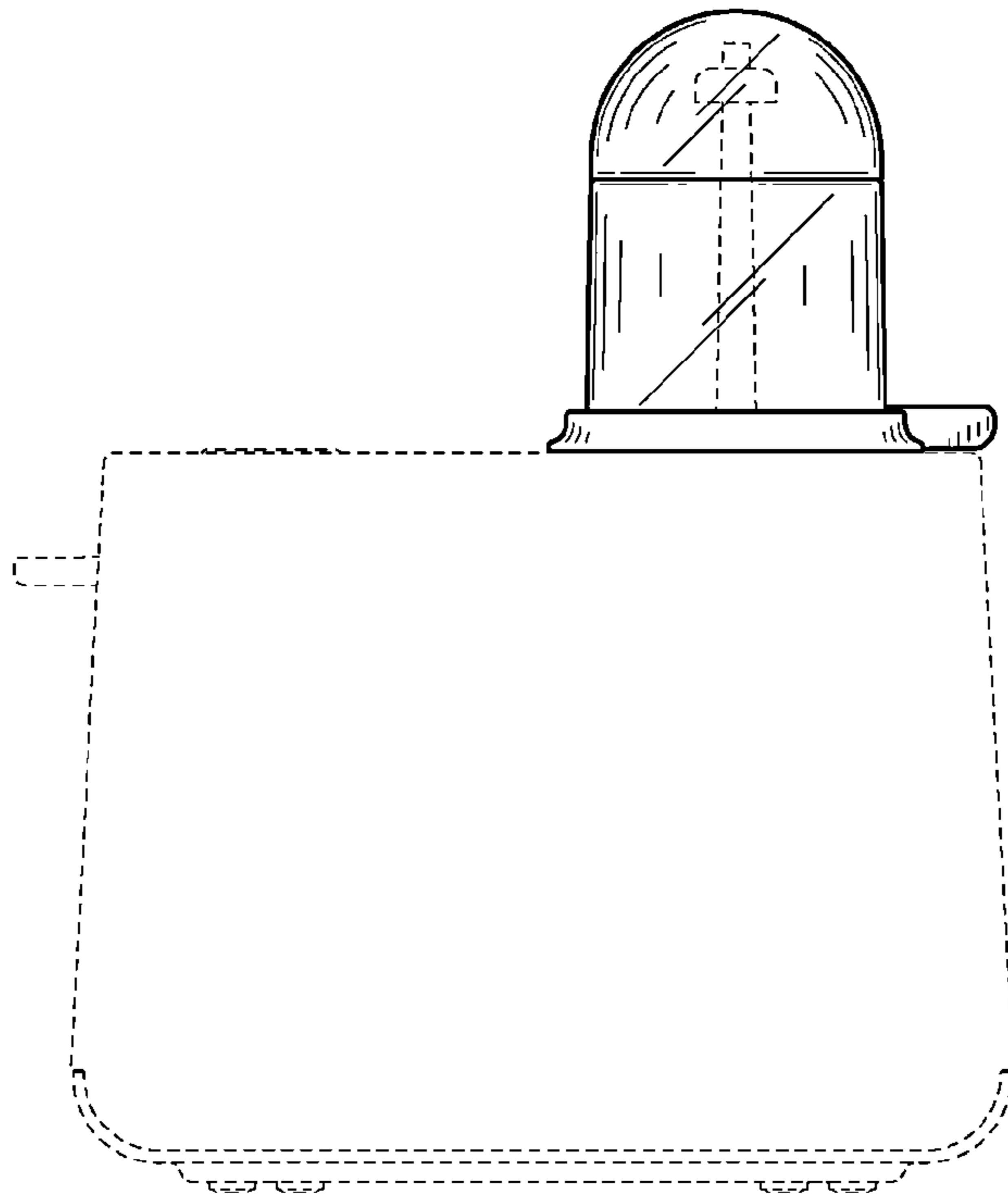


FIG. 3

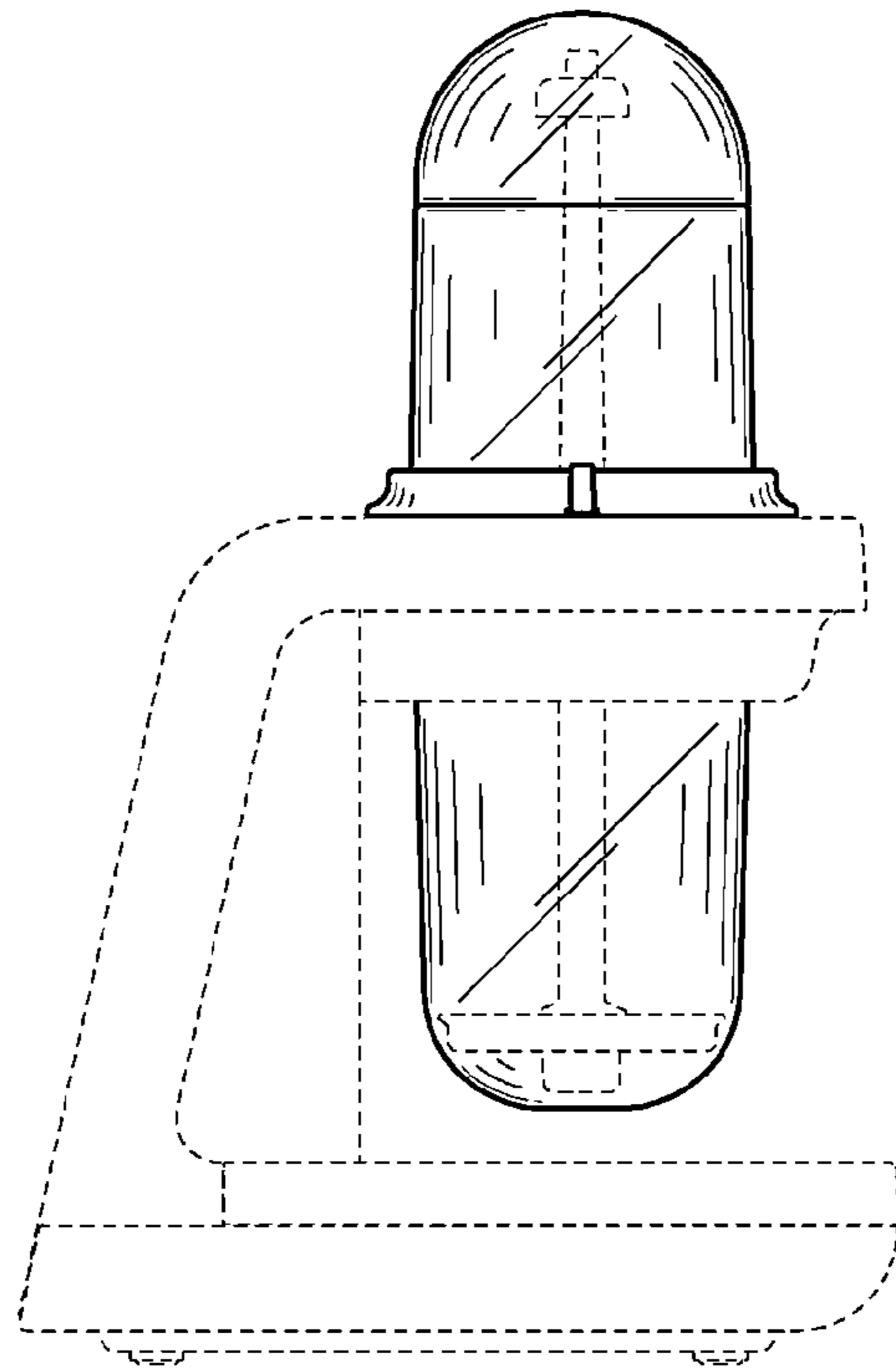


FIG. 4

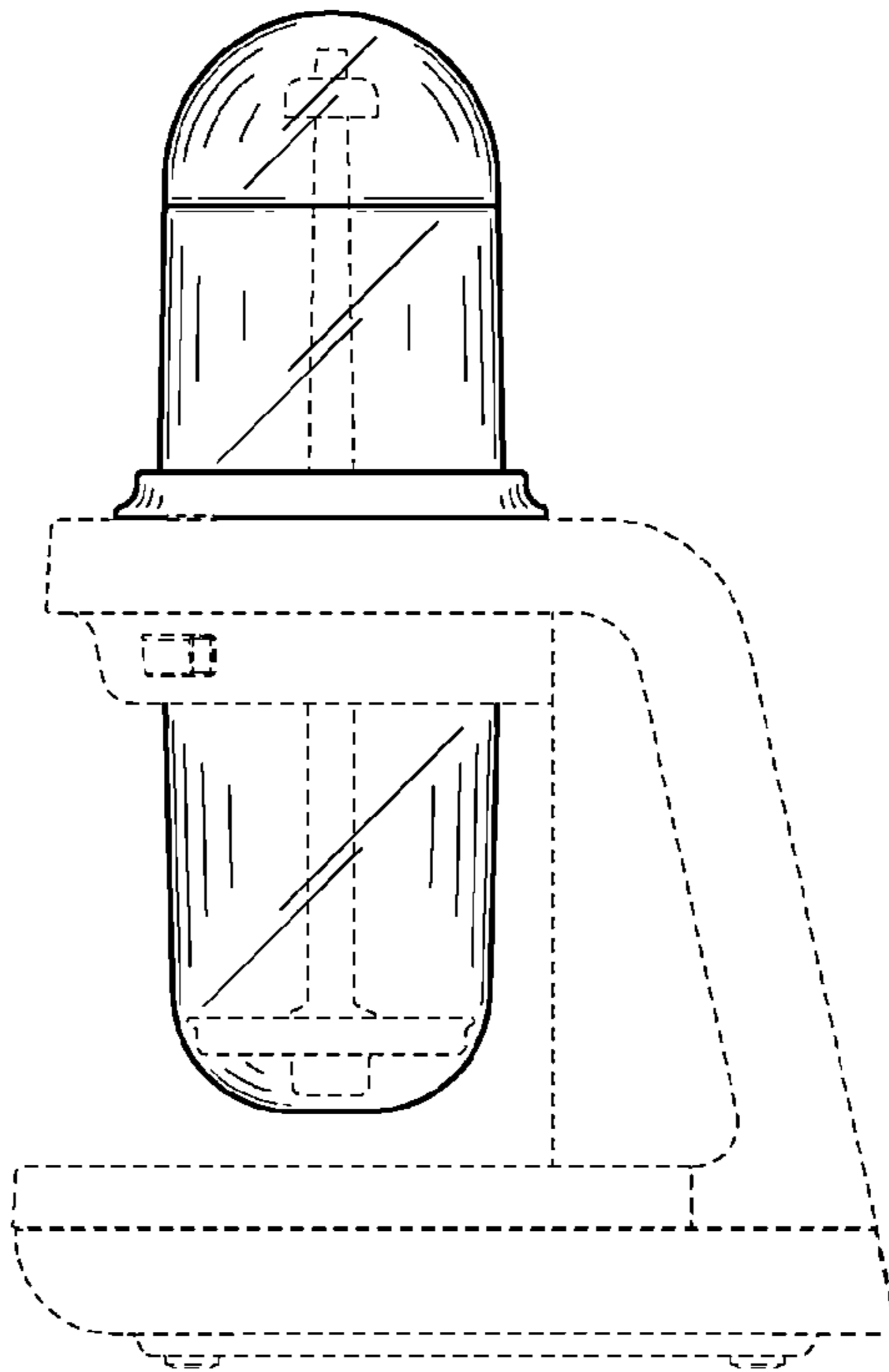


FIG. 5

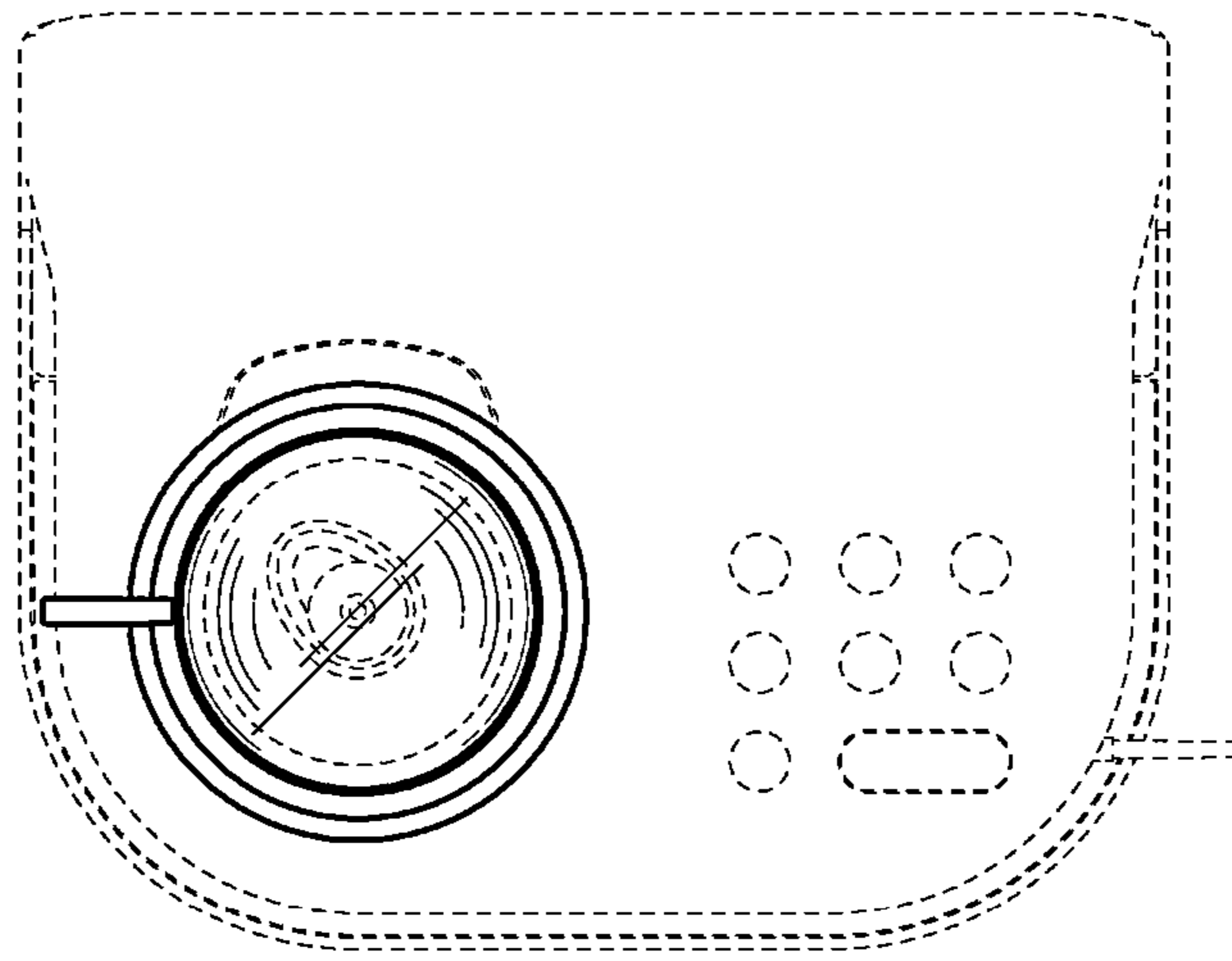


FIG. 6

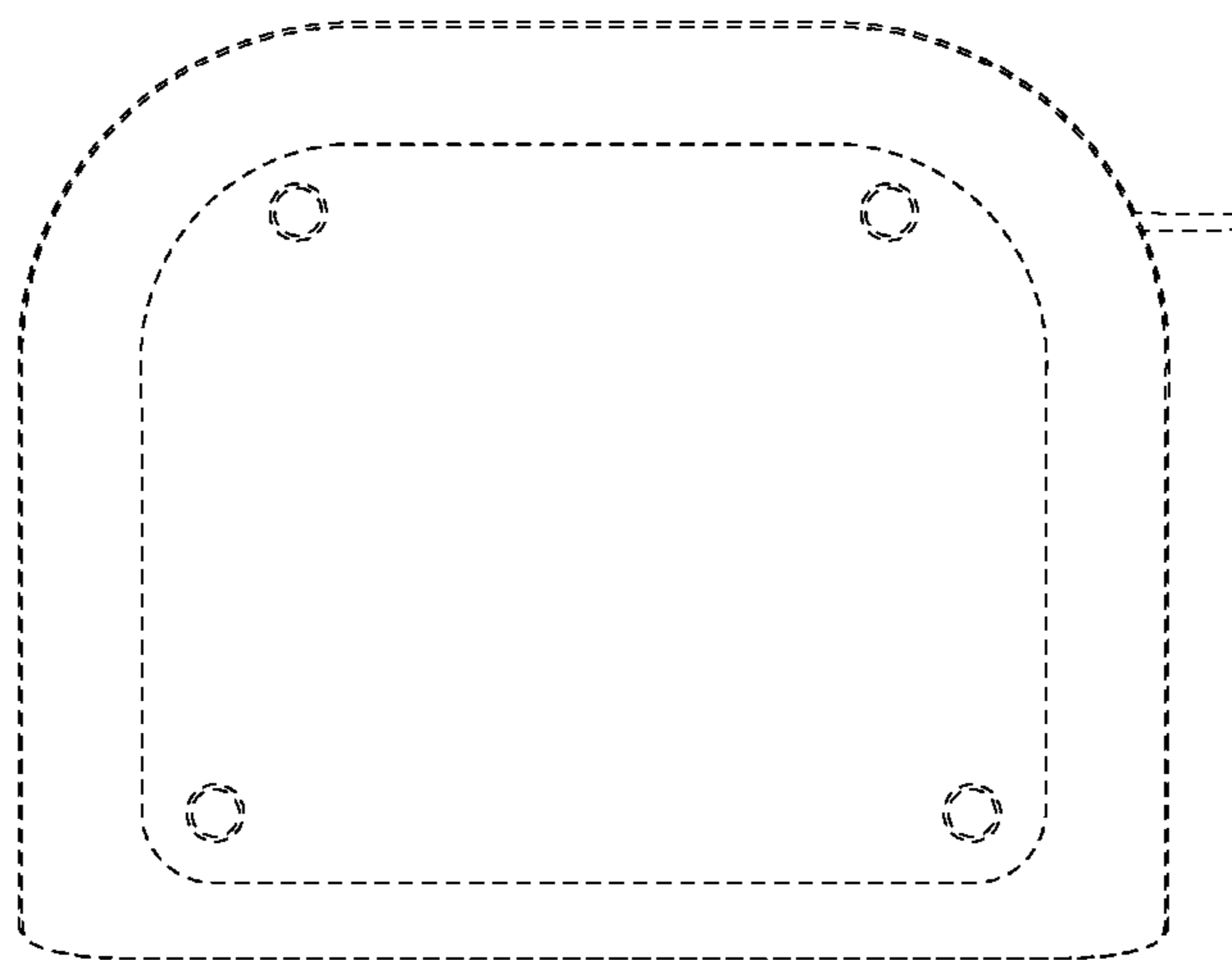


FIG. 7